



US00D490794S

(12) **United States Design Patent**  
**Rathmell**

(10) **Patent No.: US D490,794 S**

(45) **Date of Patent: \*\* Jun. 1, 2004**

(54) **CORDLESS TELEPHONE**

(75) Inventor: **Brett L. Rathmell**, Indianapolis, IN  
(US)

(73) Assignee: **Atlinks USA, Inc.**, Indianapolis, IN  
(US)

(\*\*) Term: **14 Years**

(21) Appl. No.: **29/182,742**

(22) Filed: **May 30, 2003**

(51) **LOC (7) Cl. .... 14-03**

(52) **U.S. Cl. .... D14/142; D14/147**

(58) **Field of Search** ..... D14/137, 434,  
D14/138, 447, 148, 147, 125, 149-151,  
242, 140-142, 144, 240, 241, 257, 251-253,  
451, 218, 329, 330; 379/426, 449, 419,  
420.01-420.04, 440, 454, 455, 446; 455/550-575,  
90; D13/107, 108; 320/110-115; 348/734;  
D7/309, 350

(56) **References Cited**

**U.S. PATENT DOCUMENTS**

3,698,780	A	*	10/1972	Collins et al.	.....	312/245
D256,582	S	*	8/1980	Owens	.....	D14/144
4,580,754	A	*	4/1986	Hughes	.....	248/323
4,833,978	A	*	5/1989	Martone et al.	.....	99/280
D322,438	S	*	12/1991	Skowronski	.....	D14/151
D323,823	S	*	2/1992	Yonekura	.....	D14/125
D326,582	S	*	6/1992	Hattle et al.	.....	D7/309
5,333,827	A	*	8/1994	Gioscia	.....	248/289.11
D357,611	S	*	4/1995	Osit	.....	D7/350
5,410,597	A	*	4/1995	Kepley, III et al.	.....	379/449
D361,568	S	*	8/1995	Kepley, III et al.	.....	D14/148
D361,764	S	*	8/1995	Brandt et al.	.....	D14/149
5,652,792	A	*	7/1997	Gallagher et al.	.....	379/446

D389,143	S	*	1/1998	Wicks	.....	D14/144
D418,518	S	*	1/2000	Storti et al.	.....	D14/257
D426,212	S	*	6/2000	Storti et al.	.....	D14/432
D443,254	S	*	6/2001	Jensen et al.	.....	D14/125
D447,134	S	*	8/2001	Kiai	.....	D14/257
D457,505	S	*	5/2002	Benedetti	.....	D14/131
D458,908	S	*	6/2002	Liu	.....	D14/125
D463,413	S	*	9/2002	Harris	.....	D14/240
D464,044	S	*	10/2002	Wang et al.	.....	D14/240
D464,958	S	*	10/2002	Coker et al.	.....	D14/240
D469,066	S	*	1/2003	Takahashi	.....	D14/125
D472,547	S	*	4/2003	Dendou et al.	.....	D14/242
D481,019	S	*	10/2003	Storti et al.	.....	D14/125
2002/0167696	A1	*	11/2002	Edwards et al.	.....	348/734 X

**FOREIGN PATENT DOCUMENTS**

WO DM/054 650 \* 10/2000

\* cited by examiner

*Primary Examiner*—Jeffrey Asch

(74) *Attorney, Agent, or Firm*—Fletcher Yoder

(57) **CLAIM**

The ornamental design for a cordless telephone, as shown and described.

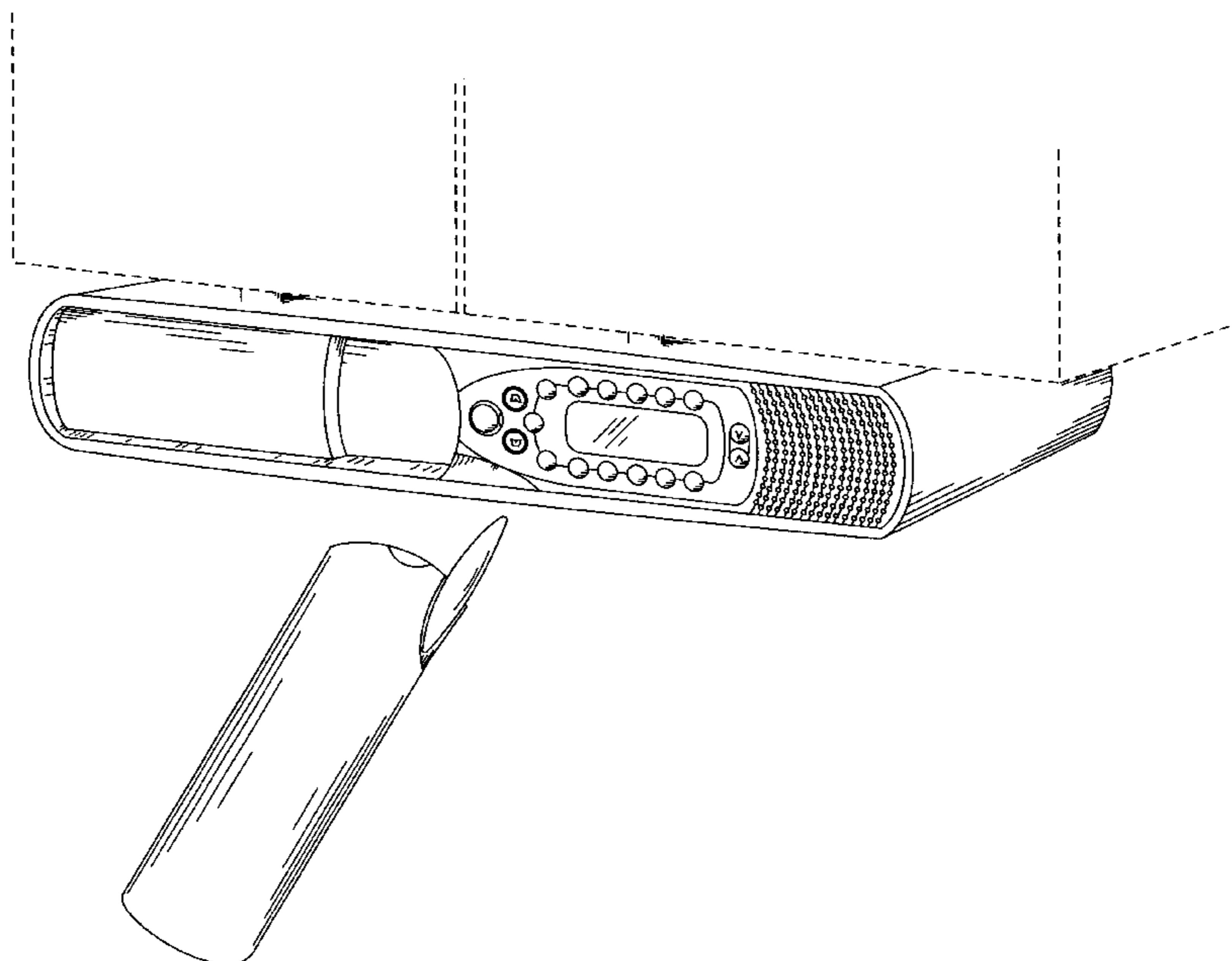
**DESCRIPTION**

FIG. 1 is a perspective view of the design for the cordless phone, the cordless phone being attached to an exemplary environment such as kitchen cabinet; and,

FIG. 2 is an exploded view of the design for the cordless phone of FIG. 1, FIG. 2 illustrating a handset of the cordless phone and a base of the cordless phone.

The broken lines provided in the above views are used to indicate environmental structure and form no part of the claimed design.

**1 Claim, 2 Drawing Sheets**



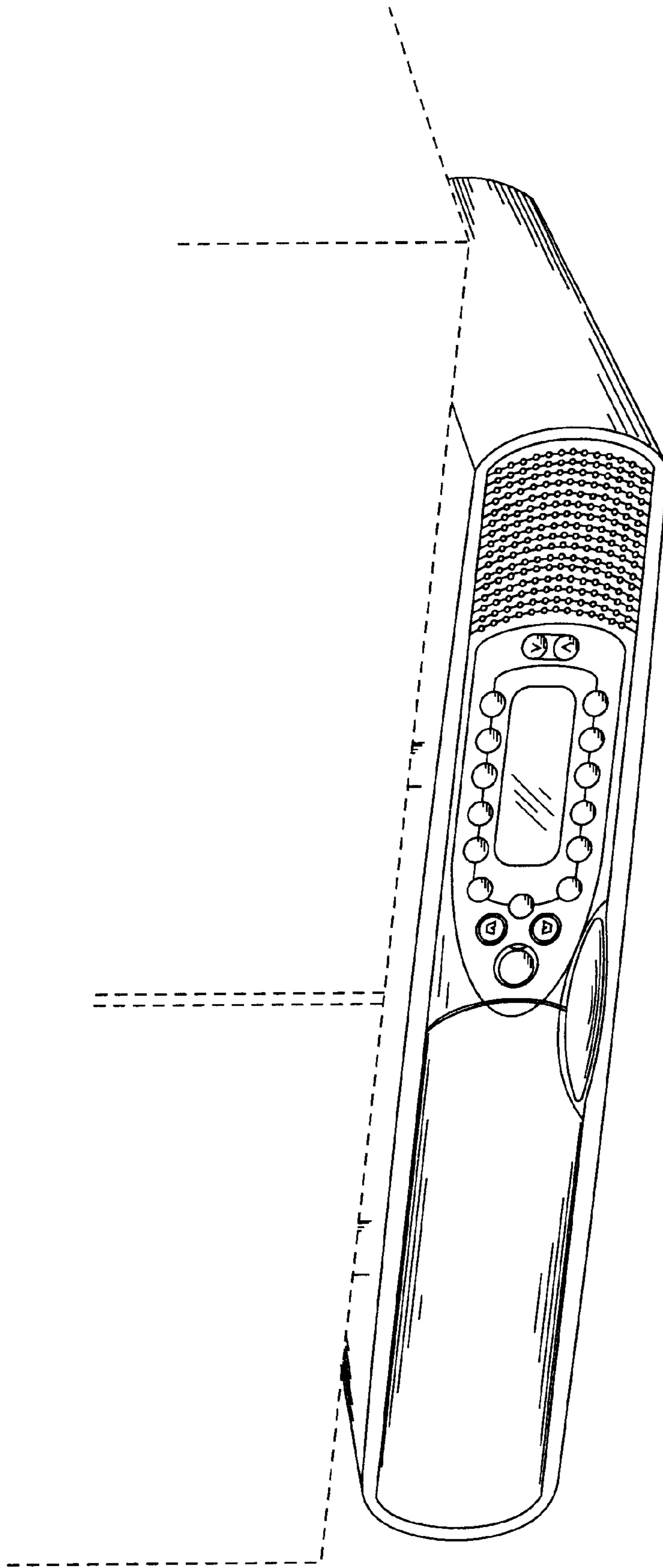


FIG 1

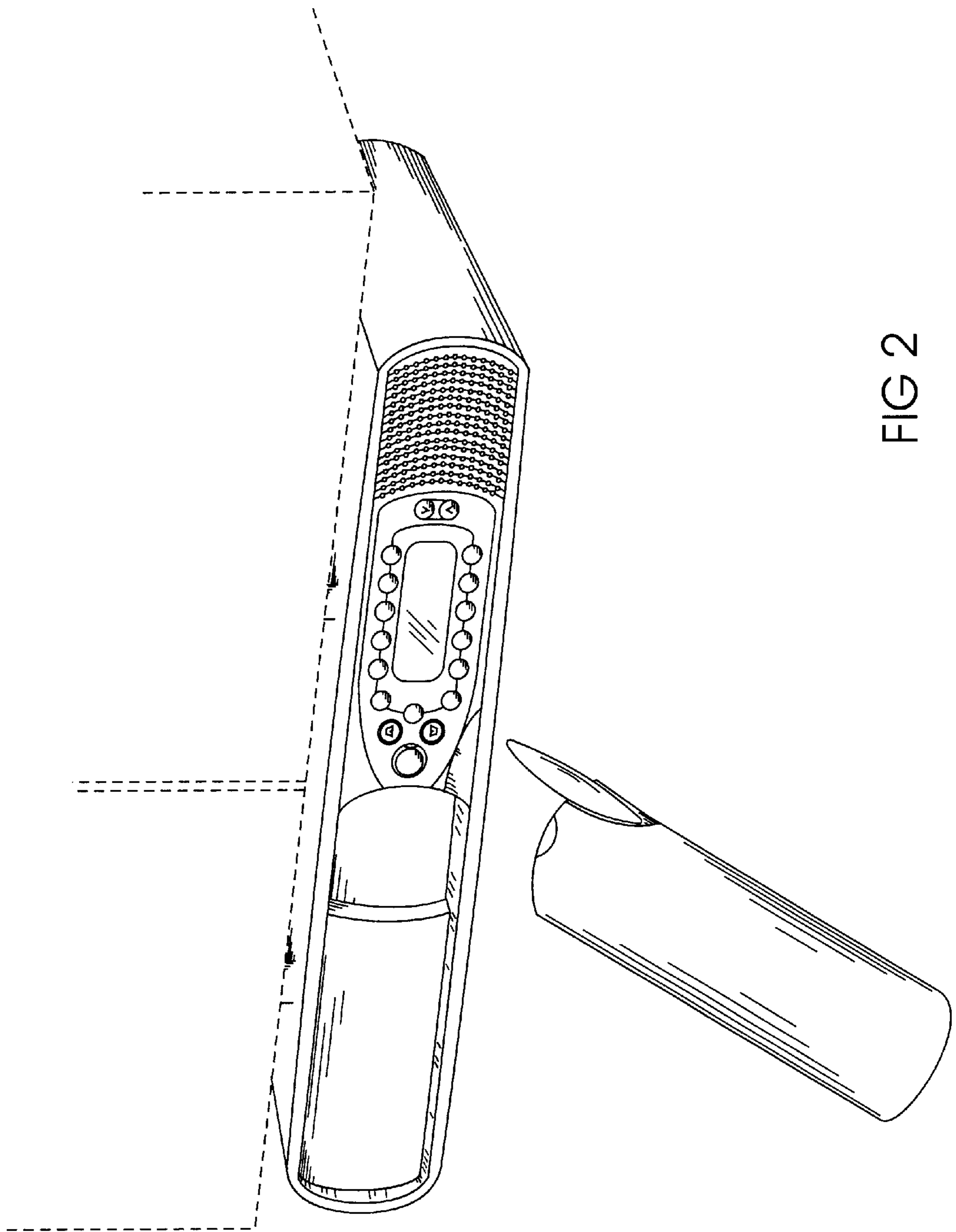


FIG 2