



US00D490793S

(12) **United States Design Patent**  
**Tsai et al.**

(10) **Patent No.:** **US D490,793 S**  
(45) **Date of Patent:** **\*\* Jun. 1, 2004**

(54) **MOBILE PHONE**

(75) Inventors: **Shih-Huang Tsai**, Taipei (TW);  
**Yung-Ming Hsiao**, Taipei (TW);  
**Ying-Shi Lin**, Taipei (TW)

(73) Assignee: **BenQ Corporation**, Taoyuan (TW)

(\*\*) Term: **14 Years**

(21) Appl. No.: **29/192,707**

(22) Filed: **Oct. 27, 2003**

(30) **Foreign Application Priority Data**

Aug. 19, 2003	(TW)	.....	92305029
Aug. 20, 2003	(TW)	.....	92305029 U02
Aug. 20, 2003	(TW)	.....	92305029 U03
Aug. 20, 2003	(TW)	.....	92305029 U01

(51) **LOC (7) Cl.** ..... **14-03**

(52) **U.S. Cl.** ..... **D14/138**

(58) **Field of Search** ..... D14/137, 138,  
D14/218, 147-148, 247-248, 144, 341-347;  
379/433.01-433.13, 419, 434, 428.01-428.04,  
420.01-420.04, 440; 455/550.1-90.3; D21/517;  
D13/168; D18/2, 7; 345/168, 169

(56) **References Cited**

**U.S. PATENT DOCUMENTS**

D352,503 S	*	11/1994	Nagele	.....	D14/138
D388,783 S	*	1/1998	Harden et al.	.....	D14/138

(List continued on next page.)

*Primary Examiner*—Jeffrey Asch

(74) *Attorney, Agent, or Firm*—Quintero Law Office

(57) **CLAIM**

The ornamental design for a mobile phone, as shown and described.

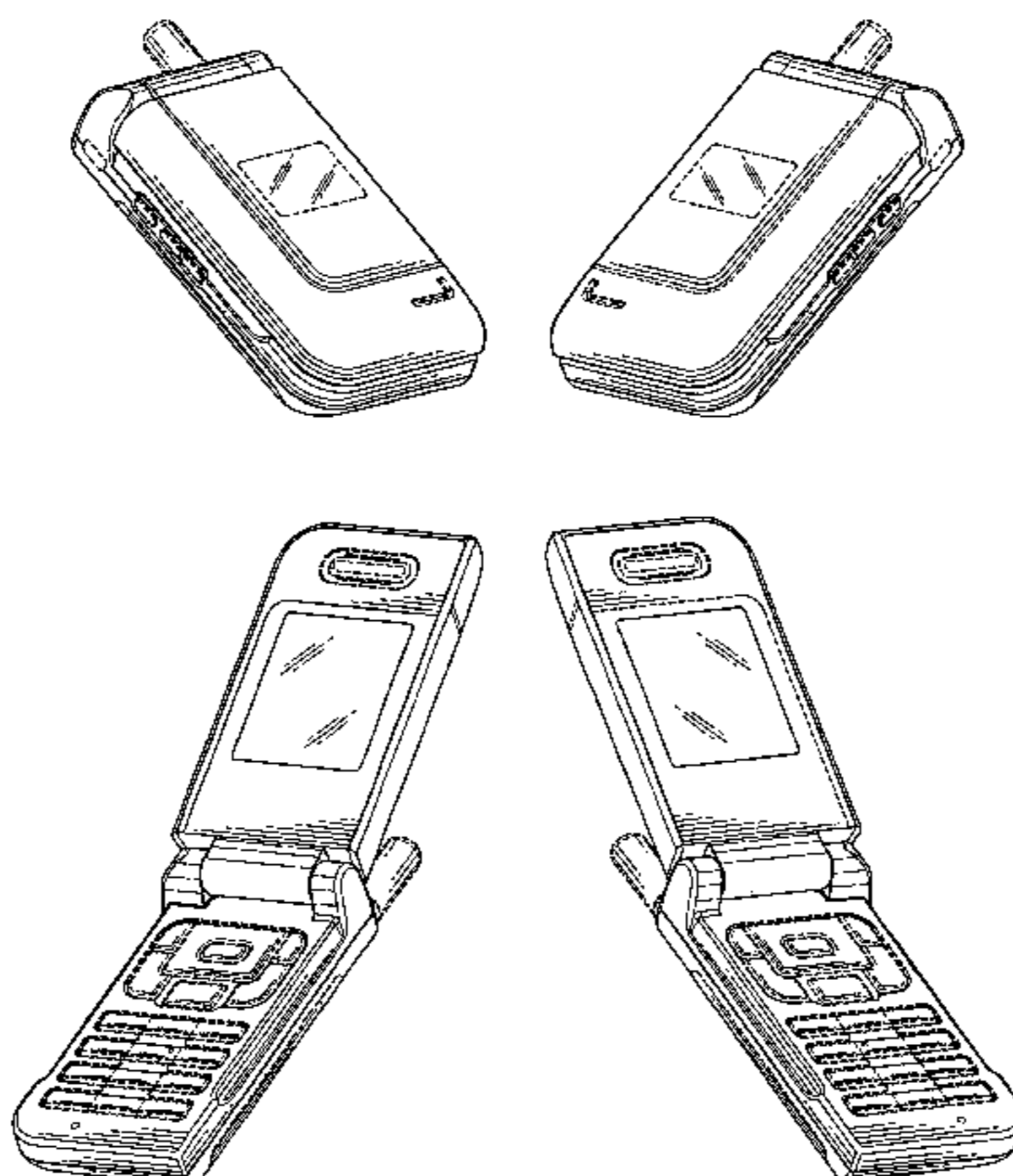
**DESCRIPTION**

FIG. 1 is a perspective view of the first embodiment;  
FIG. 2 is a front elevational view of the first embodiment;  
FIG. 3 is a rear elevational view of the first embodiment;  
FIG. 4 is a left side elevational view of the first embodiment;  
FIG. 5 is a right side elevational view of the first embodi-  
ment;

FIG. 6 is a top plane view of the first embodiment;  
FIG. 7 is a bottom plane view of the first embodiment;  
FIG. 8 is a perspective view in use state of the first  
embodiment;  
FIG. 9 is a perspective view of the second embodiment;  
FIG. 10 is a front elevational view of the second embodi-  
ment;  
FIG. 11 is a rear elevational view of the second embodiment;  
FIG. 12 is a left side elevational view of the second  
embodiment;  
FIG. 13 is a right side elevational view of the second  
embodiment;  
FIG. 14 is a top plane view of the second embodiment;  
FIG. 15 is a bottom plane view of the second embodiment;  
FIG. 16 is a perspective view in use state of the second  
embodiment;  
FIG. 17 is a perspective view of the third embodiment;  
FIG. 18 is a front elevational view of the third embodiment;  
FIG. 19 is a rear elevational view of the third embodiment;  
FIG. 20 is a left side elevational view of the third embodi-  
ment;  
FIG. 21 is a right side elevational view of the third embodi-  
ment;  
FIG. 22 is a top plane view of the third embodiment;  
FIG. 23 is a bottom plane view of the third embodiment;  
FIG. 24 is a perspective view in use state of the third  
embodiment;  
FIG. 25 is a perspective view of the fourth embodiment;  
FIG. 26 is a front elevational view of the fourth embodi-  
ment;  
FIG. 27 is a rear elevational view of the fourth embodiment;  
FIG. 28 is a left side elevational view of the fourth embodi-  
ment;  
FIG. 29 is a right side elevational view of the fourth  
embodiment;  
FIG. 30 is a top plane view of the fourth embodiment;  
FIG. 31 is a bottom plane view of the fourth embodi-  
ment;  
and,  
FIG. 32 is a perspective view in use state of the fourth  
embodiment.

The broken line showings throughout the views are for illustrative purposes only and form no part of the claimed design.

**1 Claim, 20 Drawing Sheets**



# US D490,793 S

Page 2

---

## U.S. PATENT DOCUMENTS

D408,399 S	*	4/1999	Nagano et al.	.....	D14/138
D408,402 S	*	4/1999	Shimelfarb et al.	.....	D14/138
5,933,783 A	*	8/1999	Kawakami et al.	.....	455/566
D421,257 S	*	2/2000	Sato et al.	.....	D14/138
D430,566 S	*	9/2000	Chu et al.	.....	D14/345
D433,016 S	*	10/2000	Matsuda et al.	.....	D14/345
D434,019 S	*	11/2000	Abed et al.	.....	D14/138
D435,837 S	*	1/2001	Suzuki et al.	.....	D14/138
D447,128 S	*	8/2001	Lee et al.	.....	D14/138
D450,046 S	*	11/2001	Chun	.....	D14/138
D450,672 S	*	11/2001	Arbisi et al.	.....	D14/138
6,334,049 B1	*	12/2001	Nishiyama et al.	.....	455/566
D455,135 S	*	4/2002	Hyun	.....	D14/138
D458,594 S	*	6/2002	Jang	.....	D14/138
D459,326 S	*	6/2002	Nagai et al.	.....	D14/138
D468,279 S	*	1/2003	Kim et al.	.....	D14/138
D475,987 S	*	6/2003	Lee et al.	.....	D14/138
D476,303 S	*	6/2003	Lee et al.	.....	D14/138
D477,296 S	*	7/2003	Minamide	.....	D14/138
D484,863 S	*	1/2004	Chan	.....	D14/138
D485,248 S	*	1/2004	Ogawa	.....	D14/138
D485,249 S		1/2004	Liao et al.	.....	D14/138
2001/0011029 A1	*	8/2001	Iwabuchi et al.	.....	455/566
2003/0092401 A1	*	5/2003	Ikeuchi	.....	455/90
2003/0125079 A1	*	7/2003	Park et al.	.....	455/556

\* cited by examiner

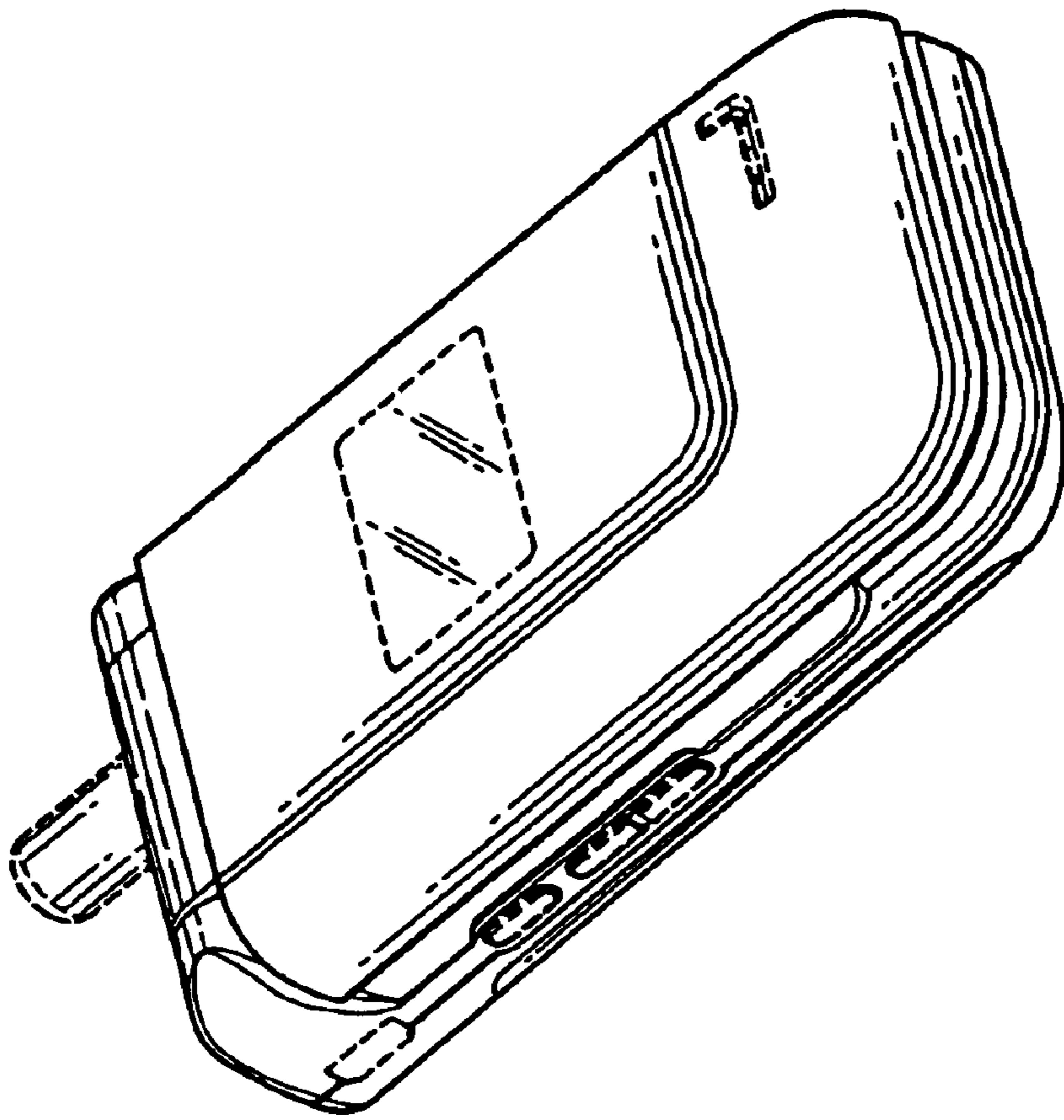


FIG. 1

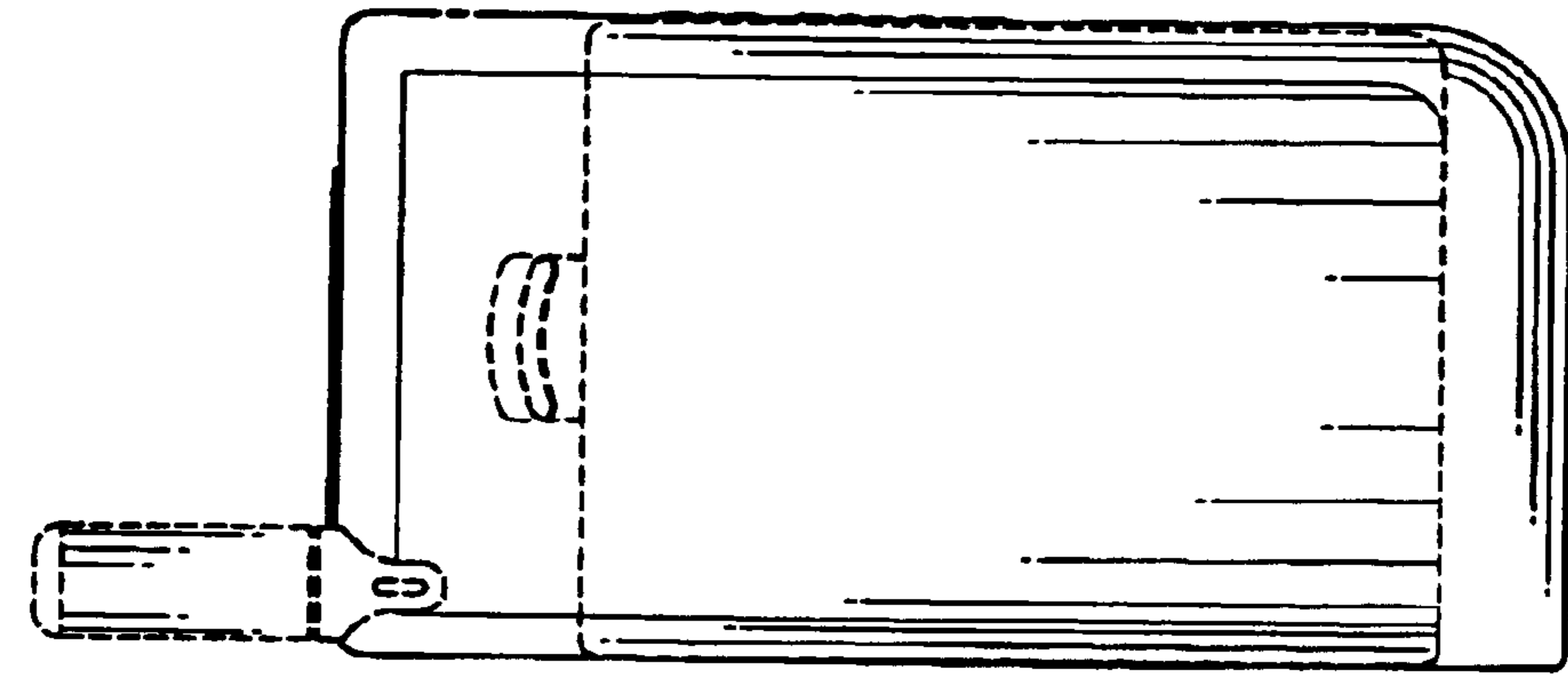


FIG. 3

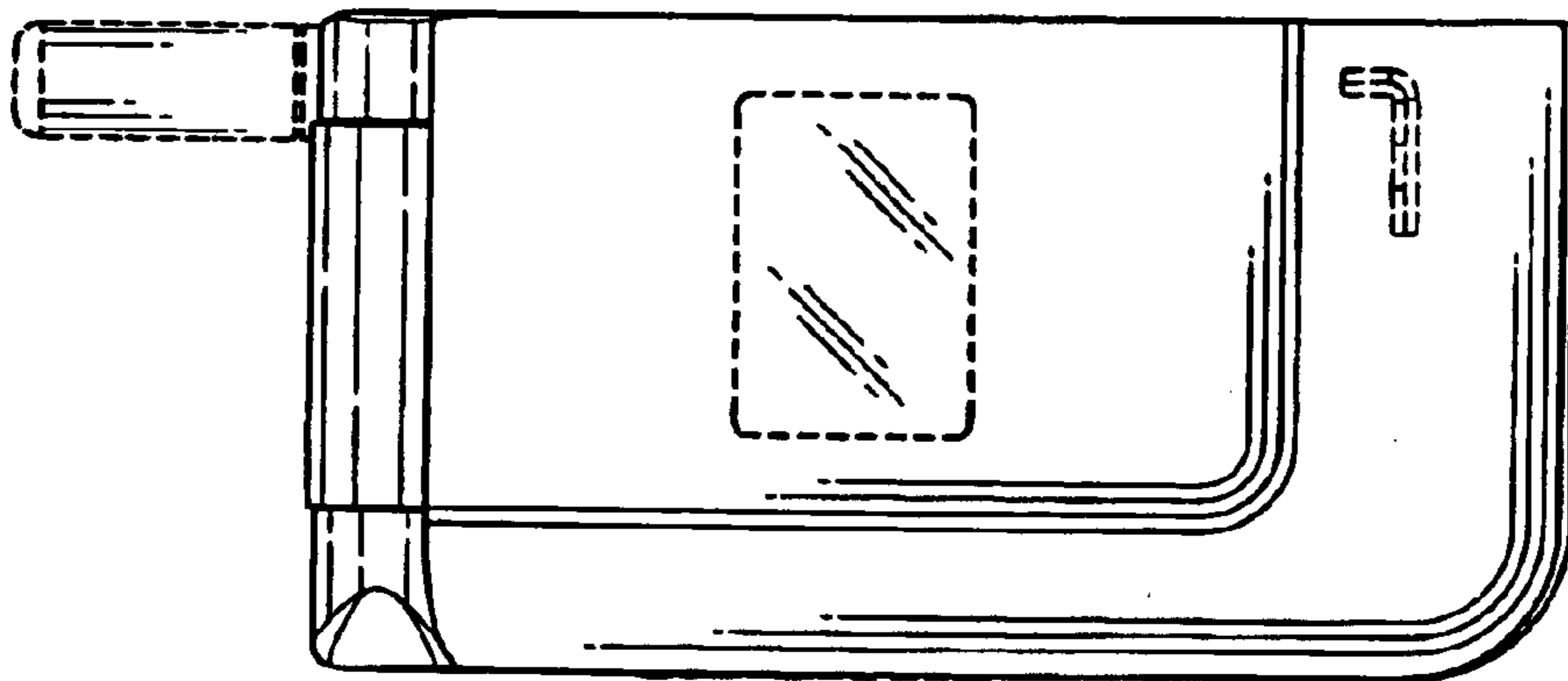


FIG. 2

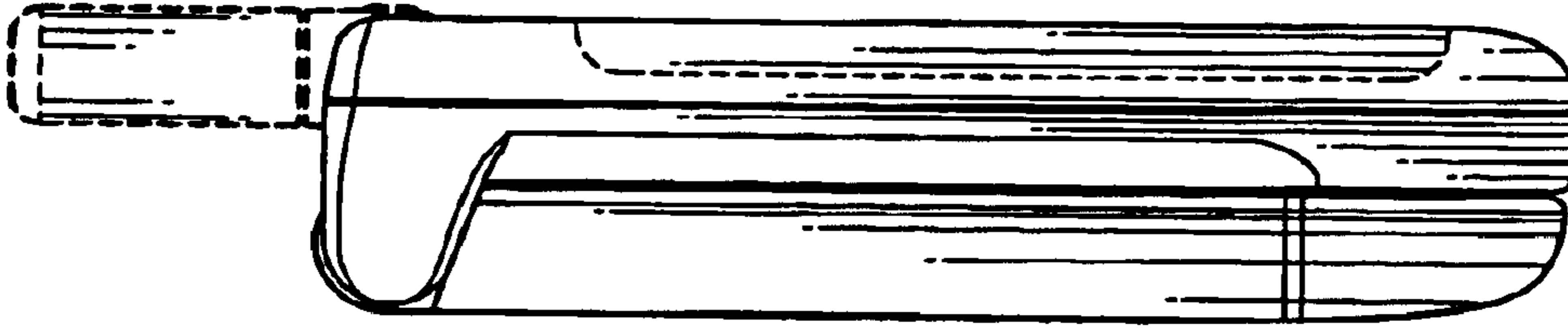


FIG. 5

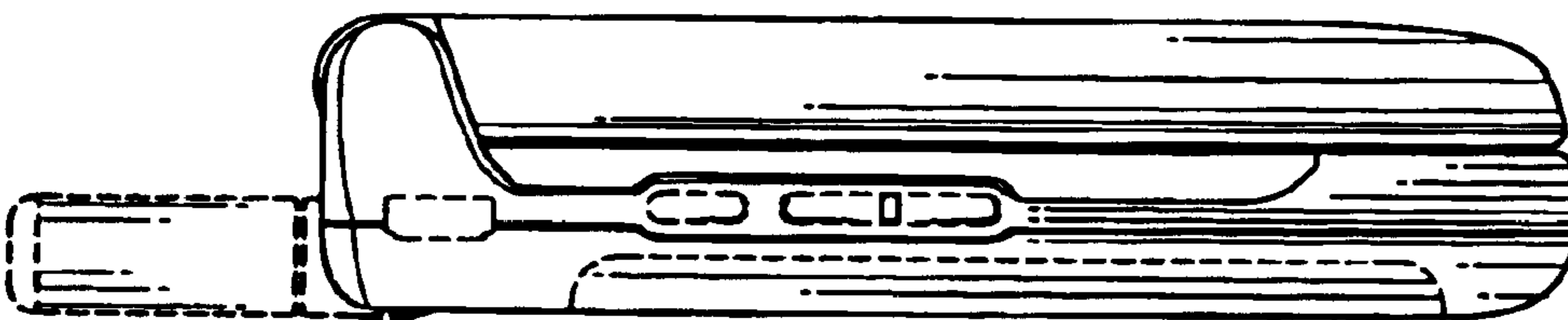


FIG. 4

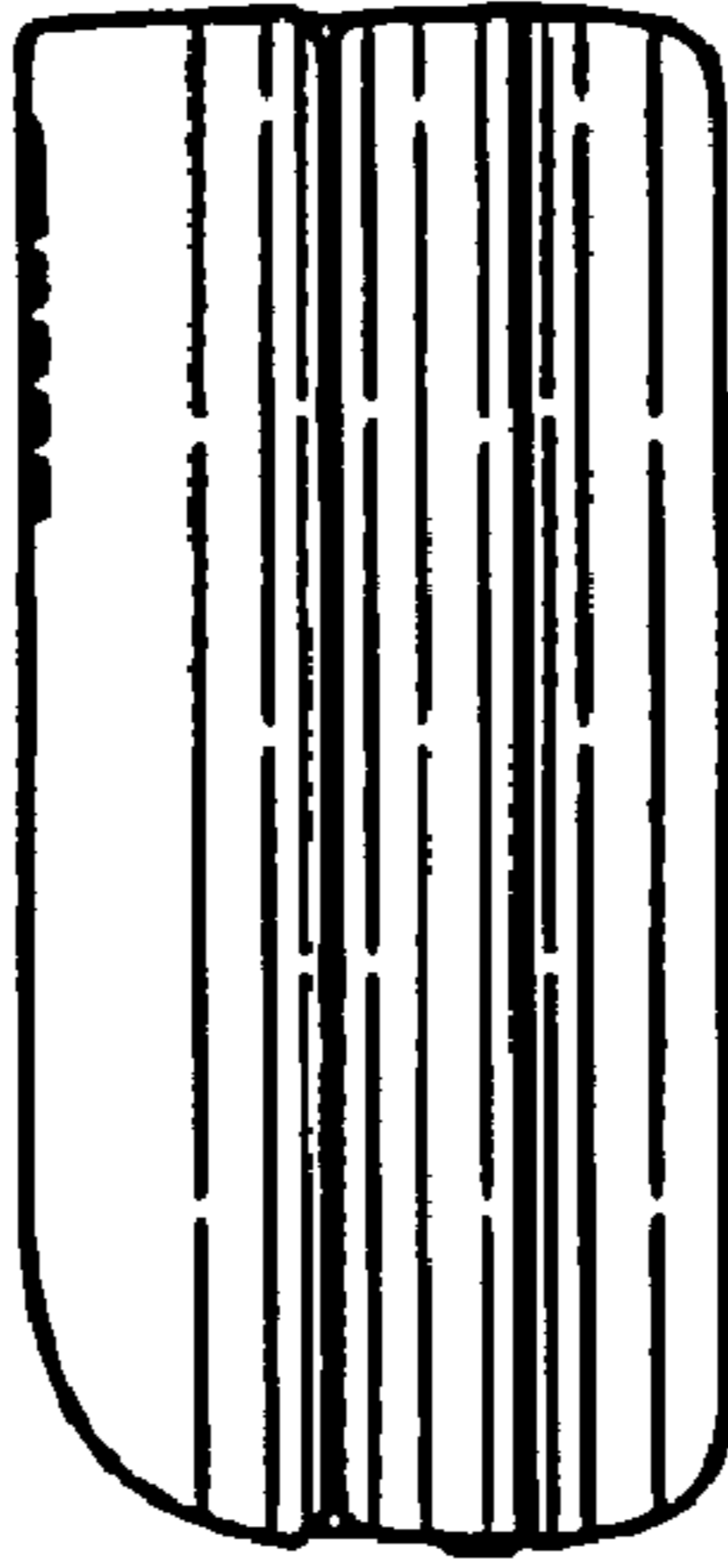


FIG. 7

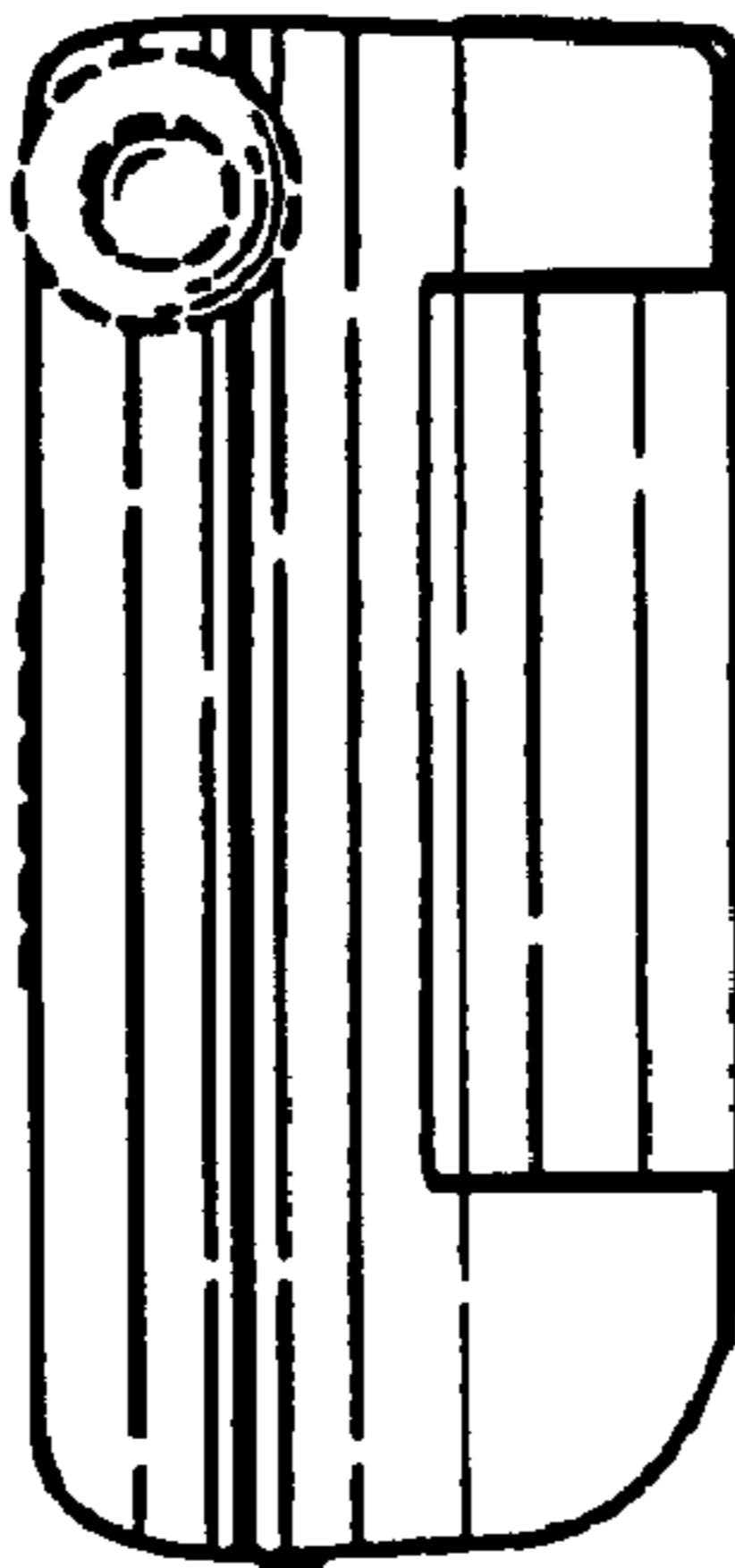


FIG. 6

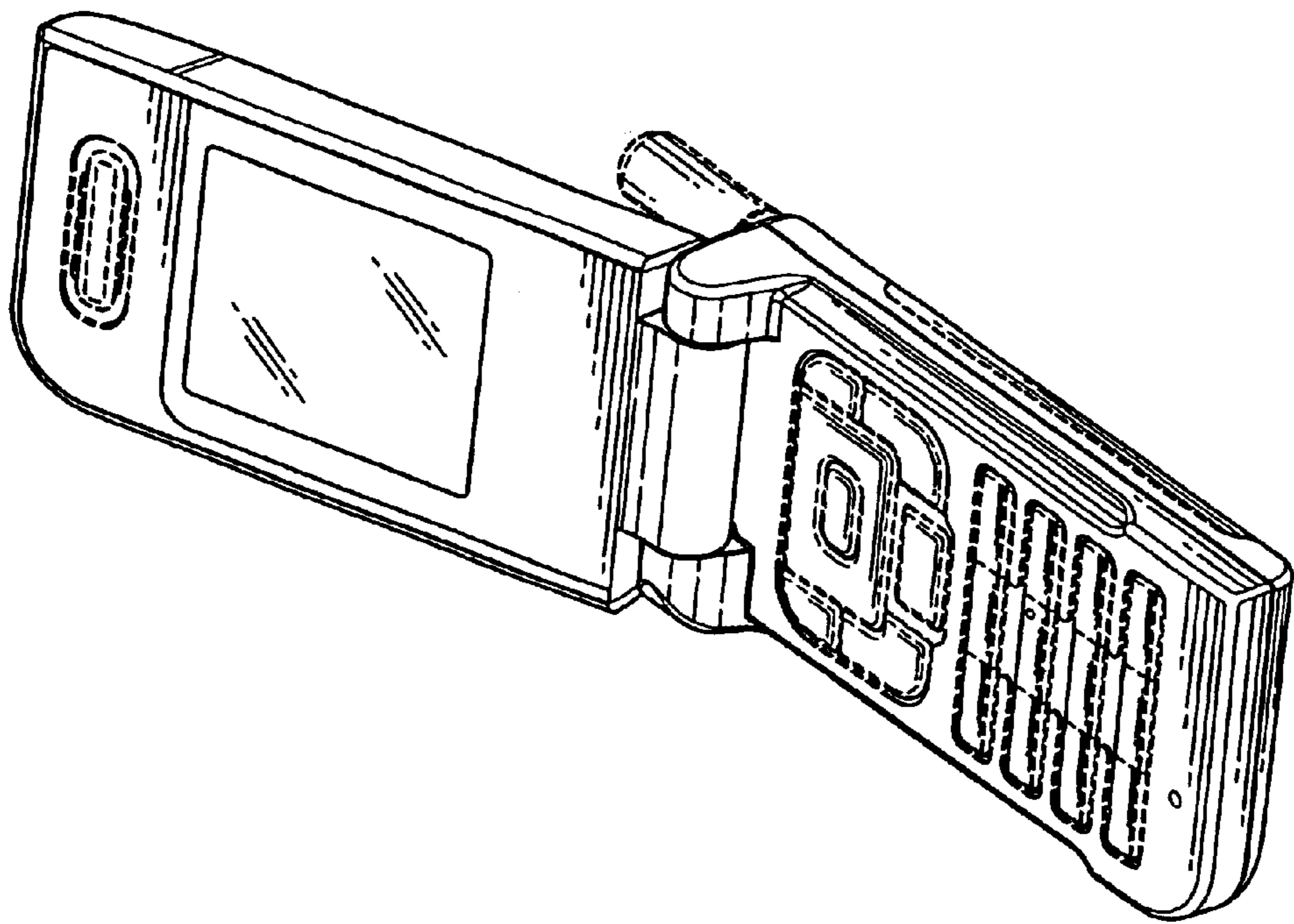


FIG. 8

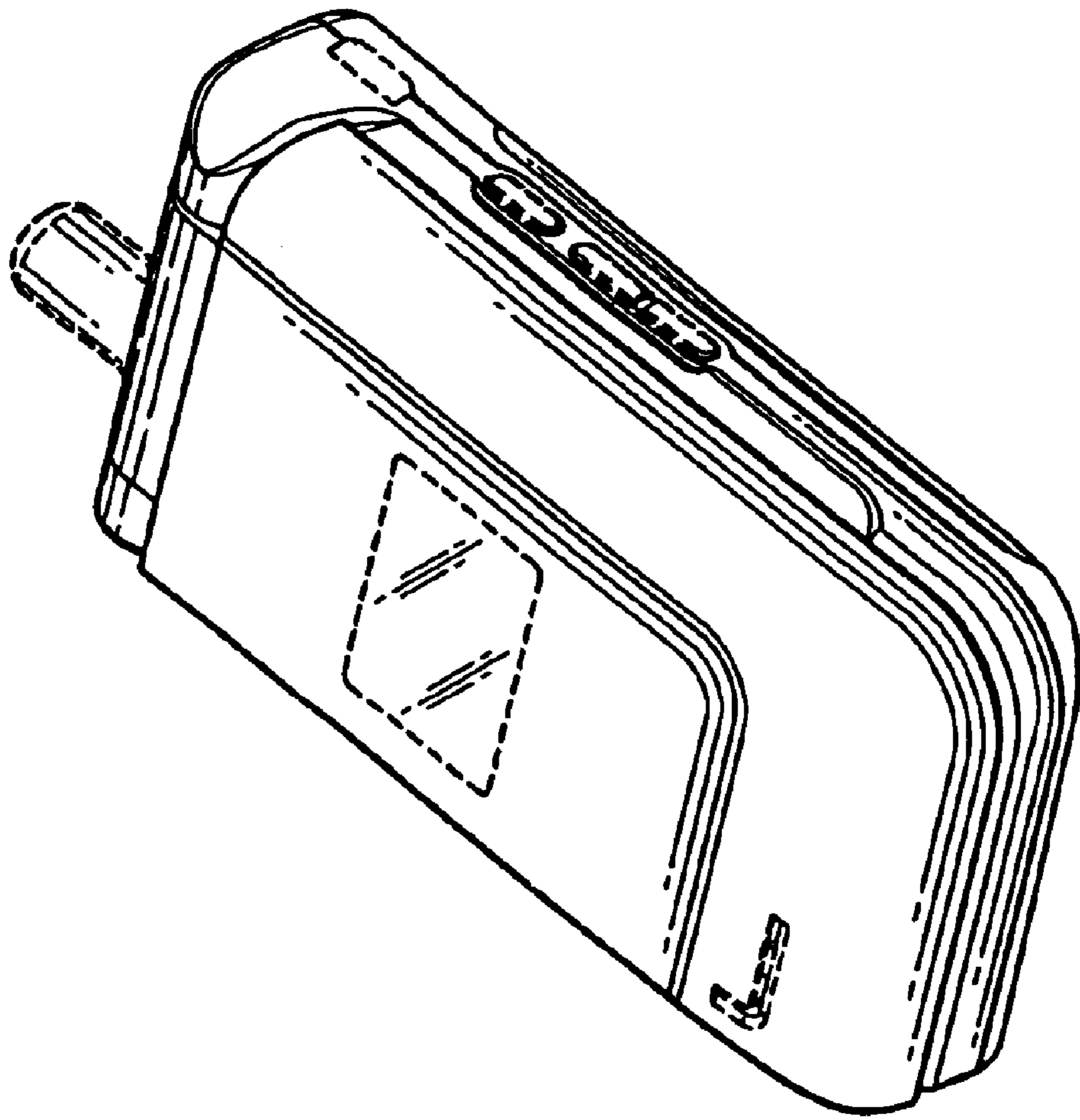


FIG. 9



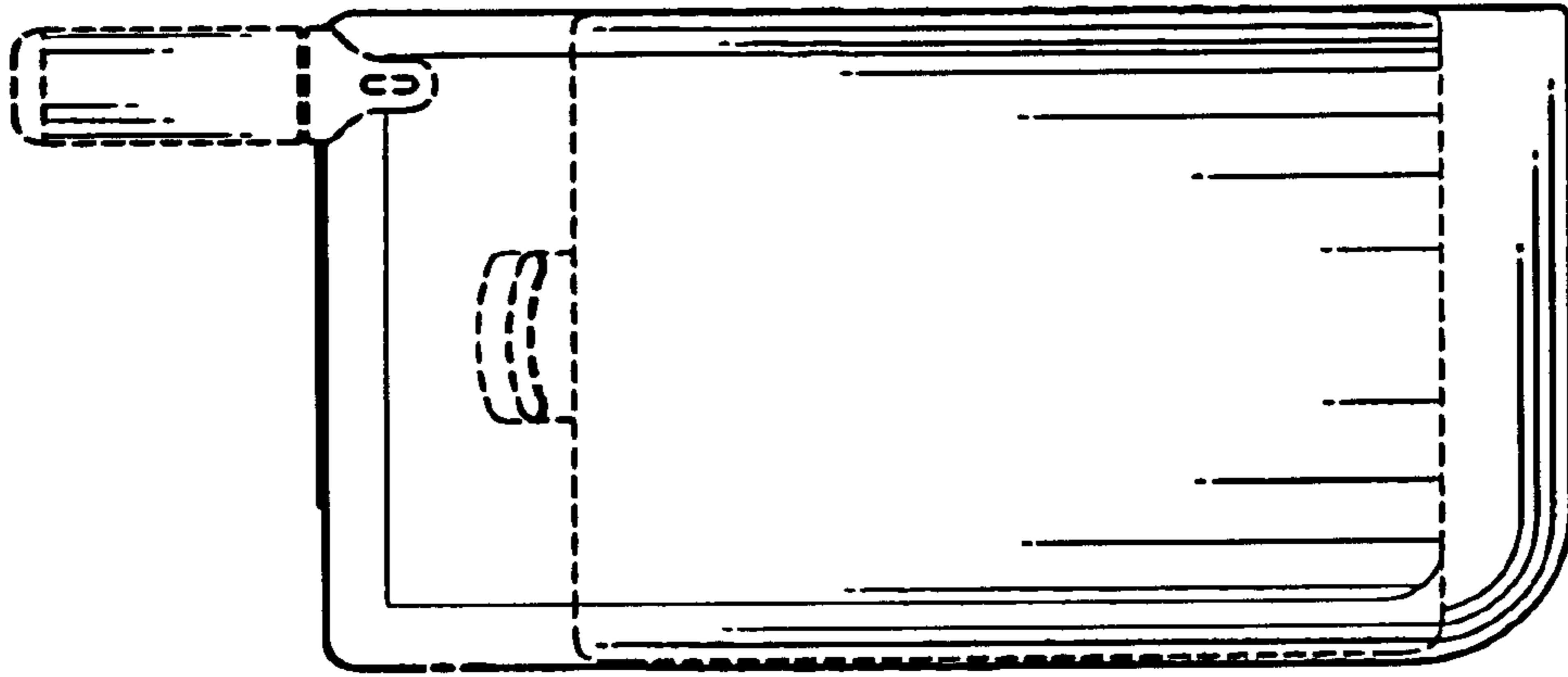


FIG. 11

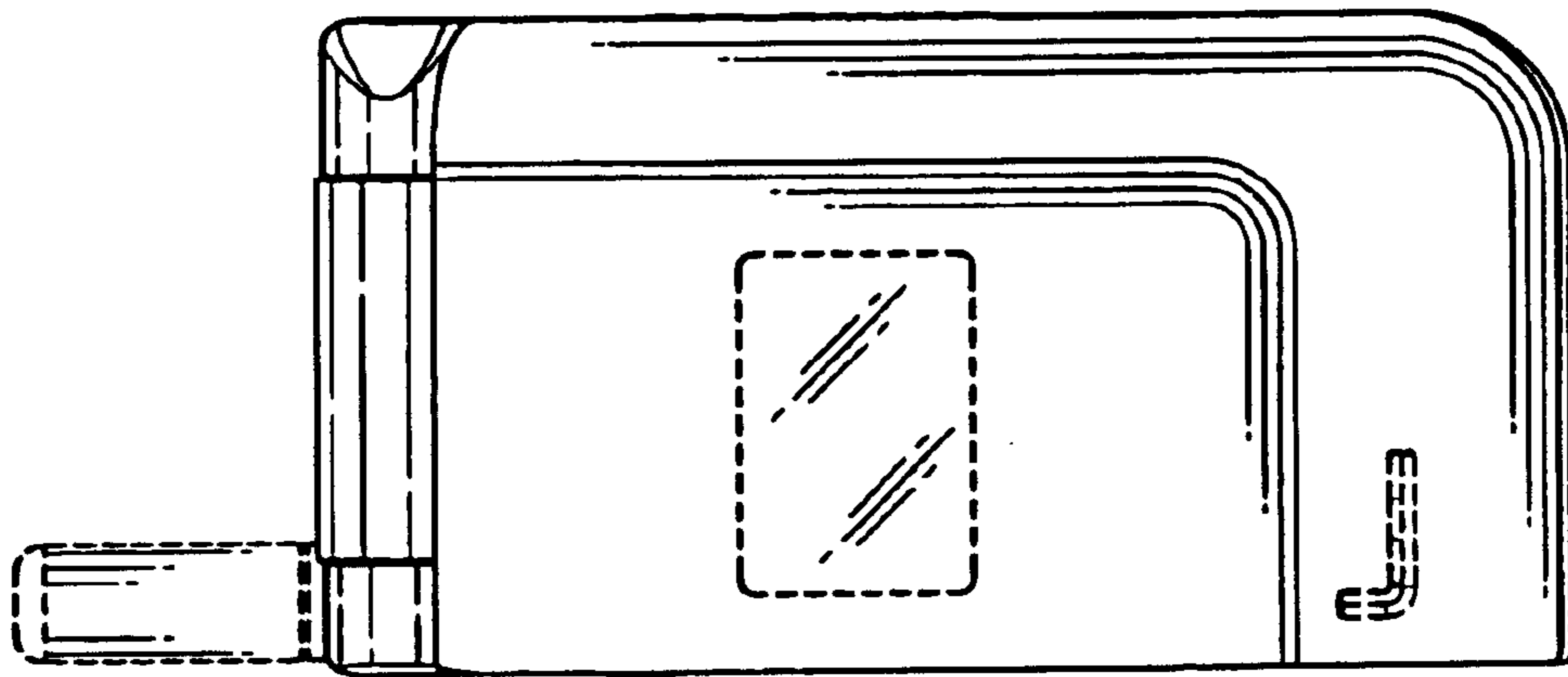


FIG. 10

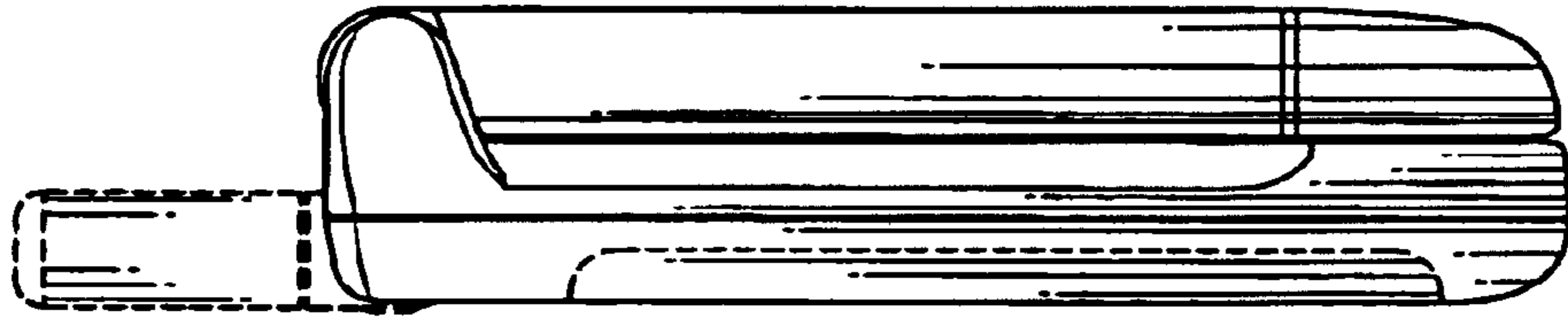


FIG. 12

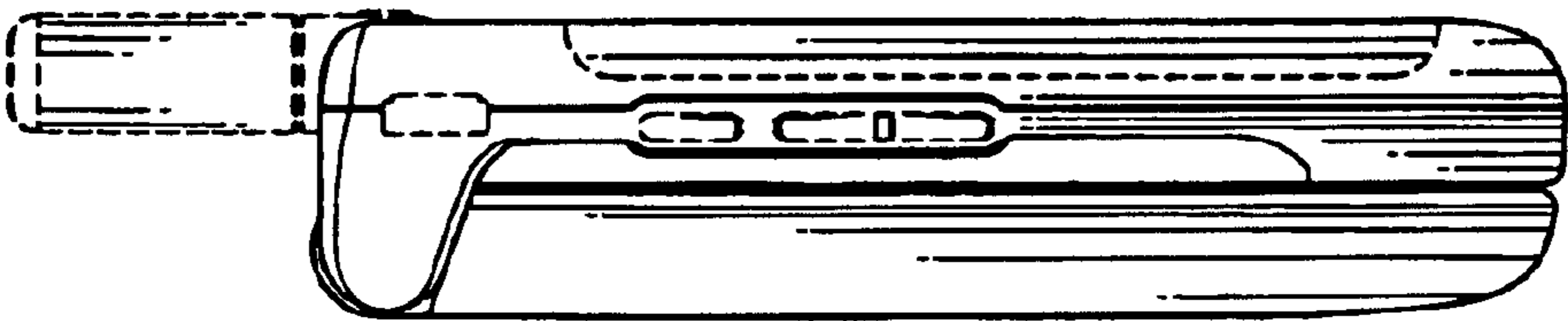


FIG. 13

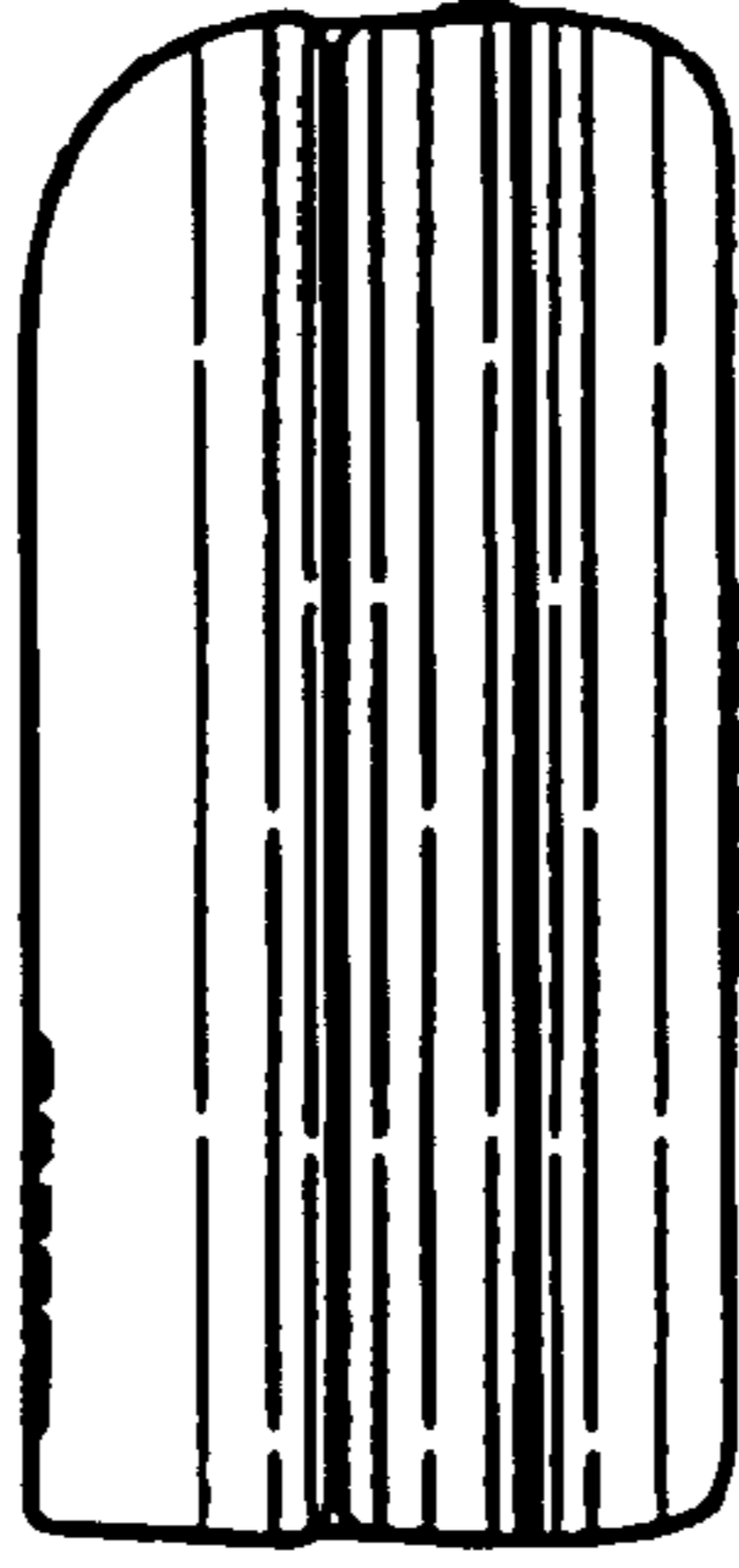


FIG. 15

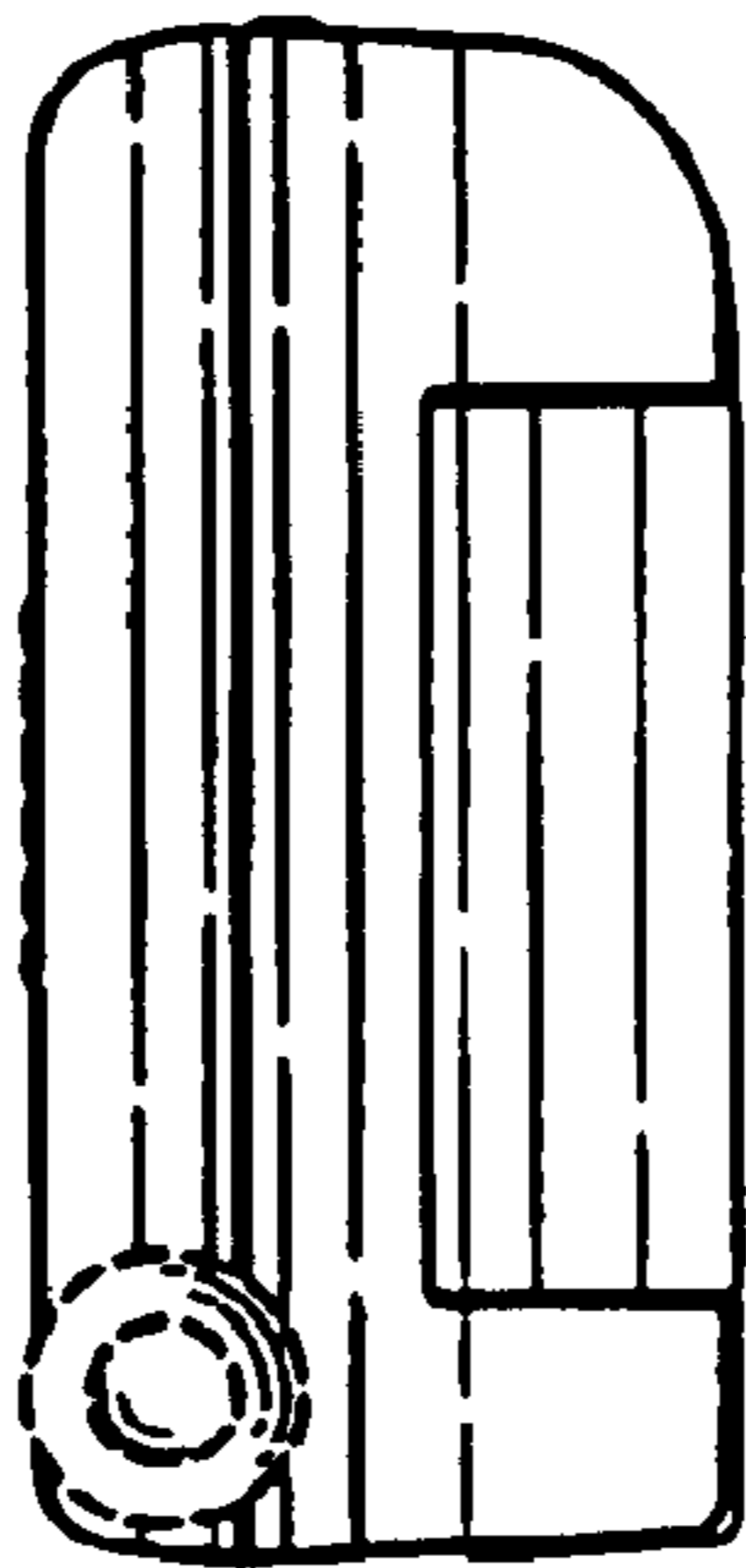


FIG. 14

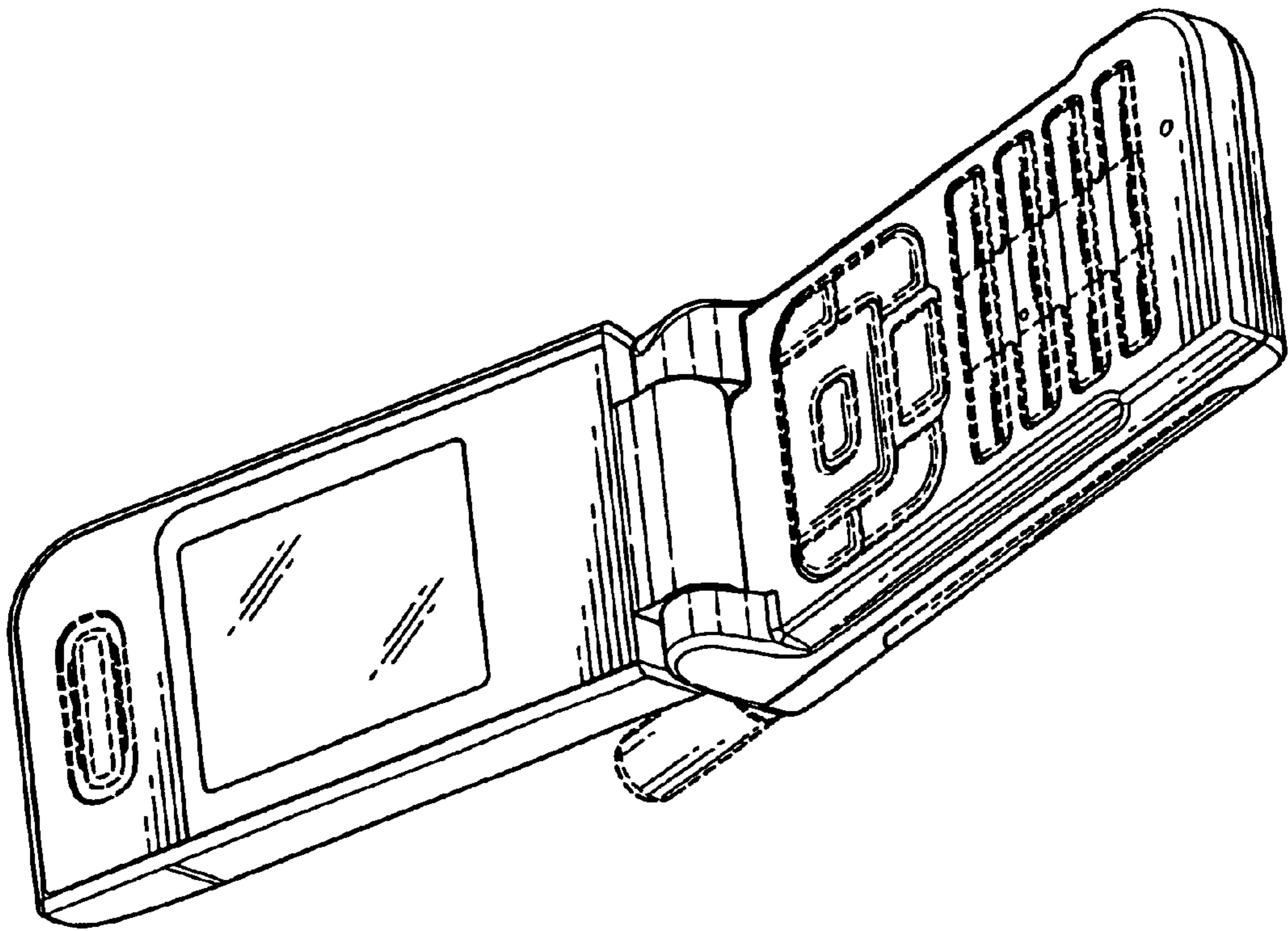


FIG. 16

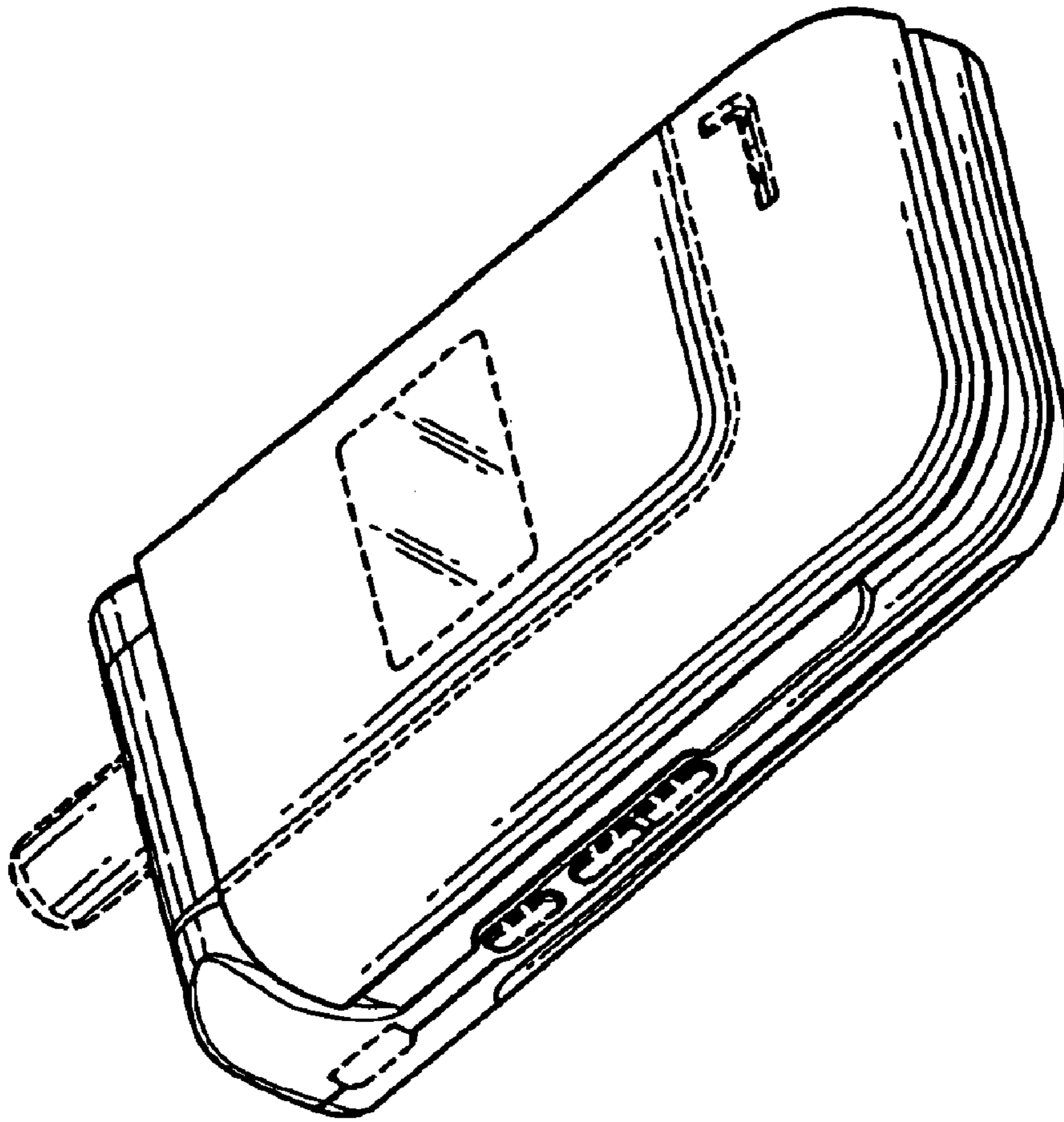


FIG. 17

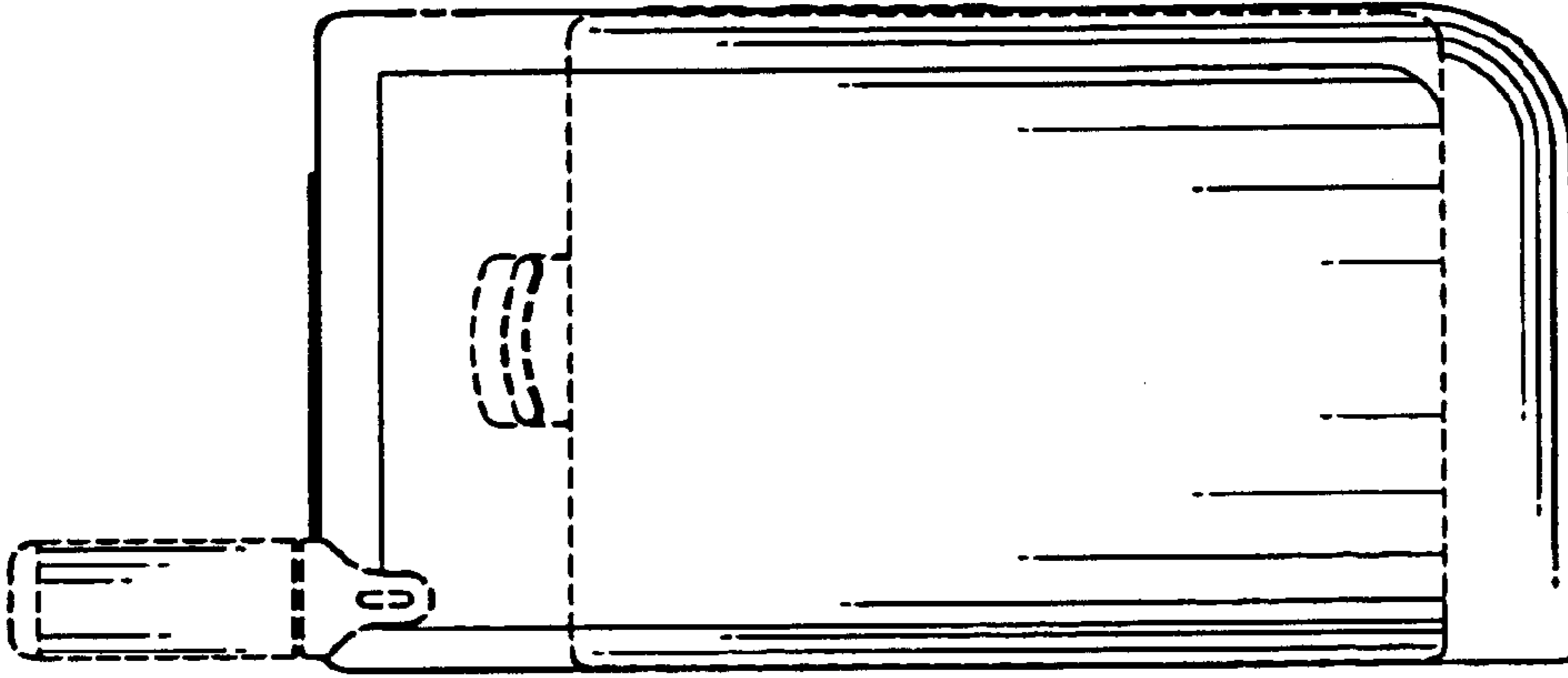


FIG. 18

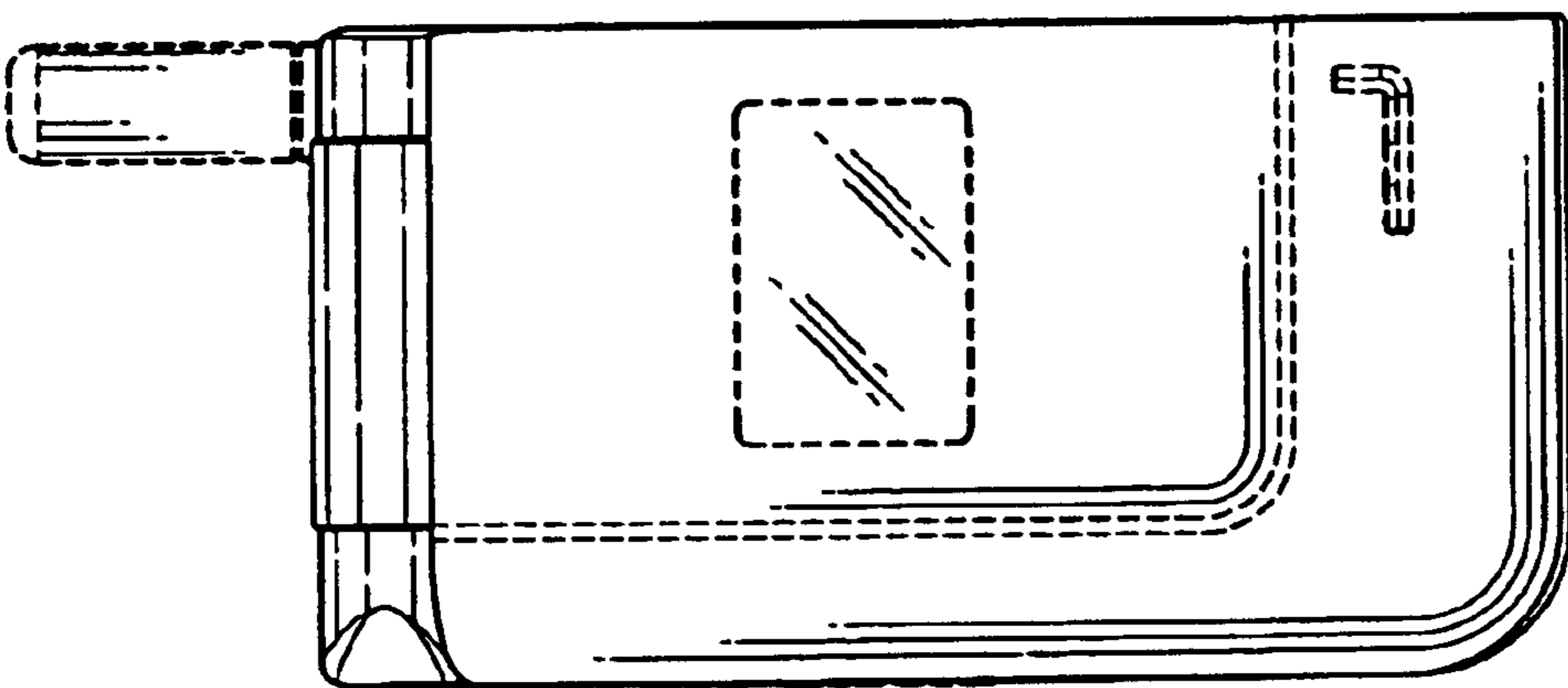


FIG. 19

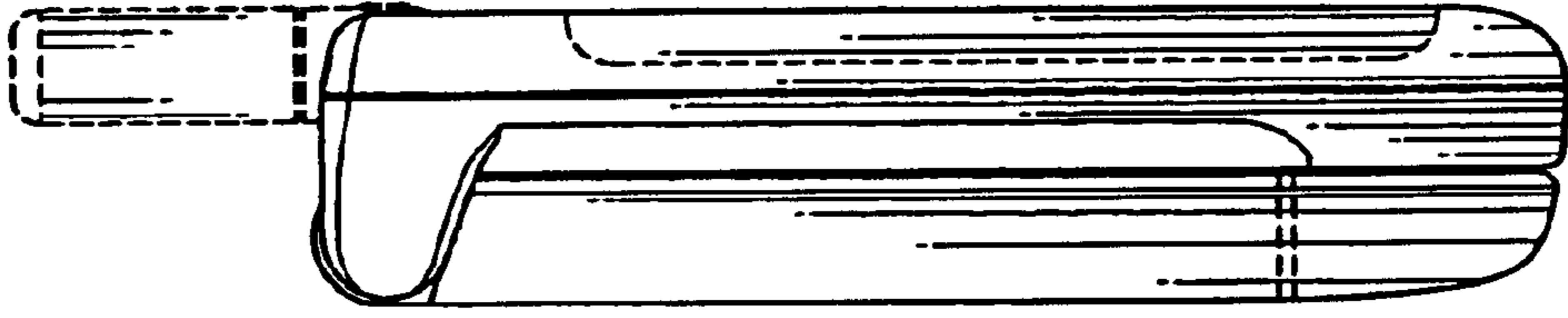


FIG. 21

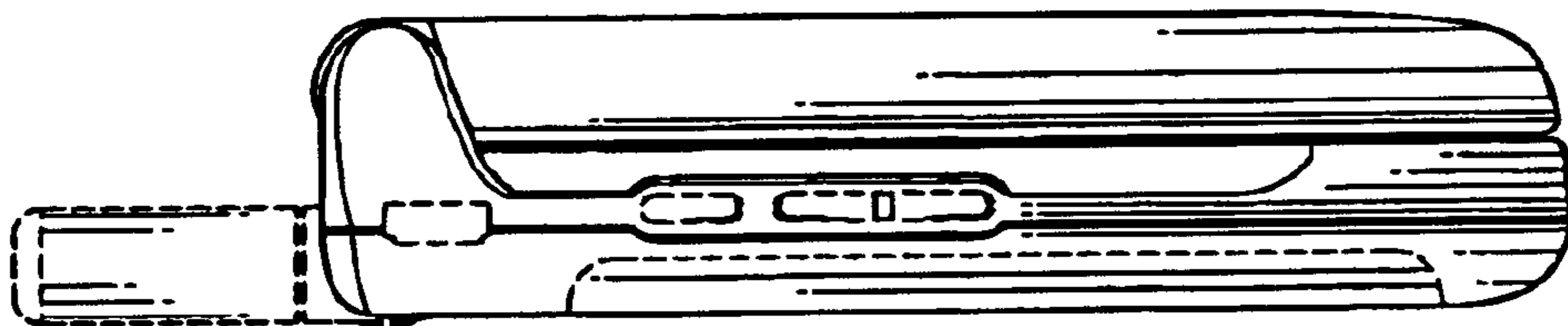


FIG. 20

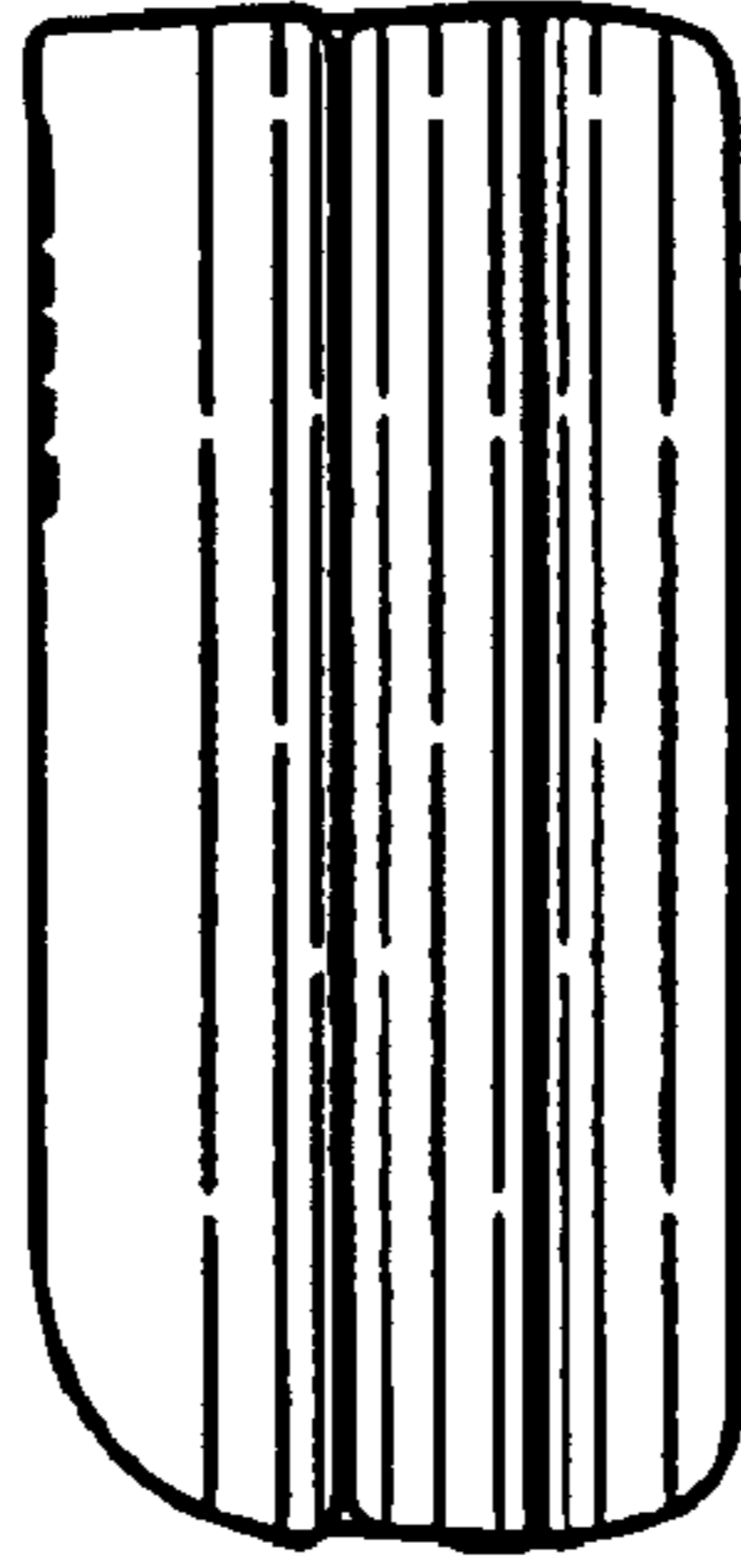


FIG. 23

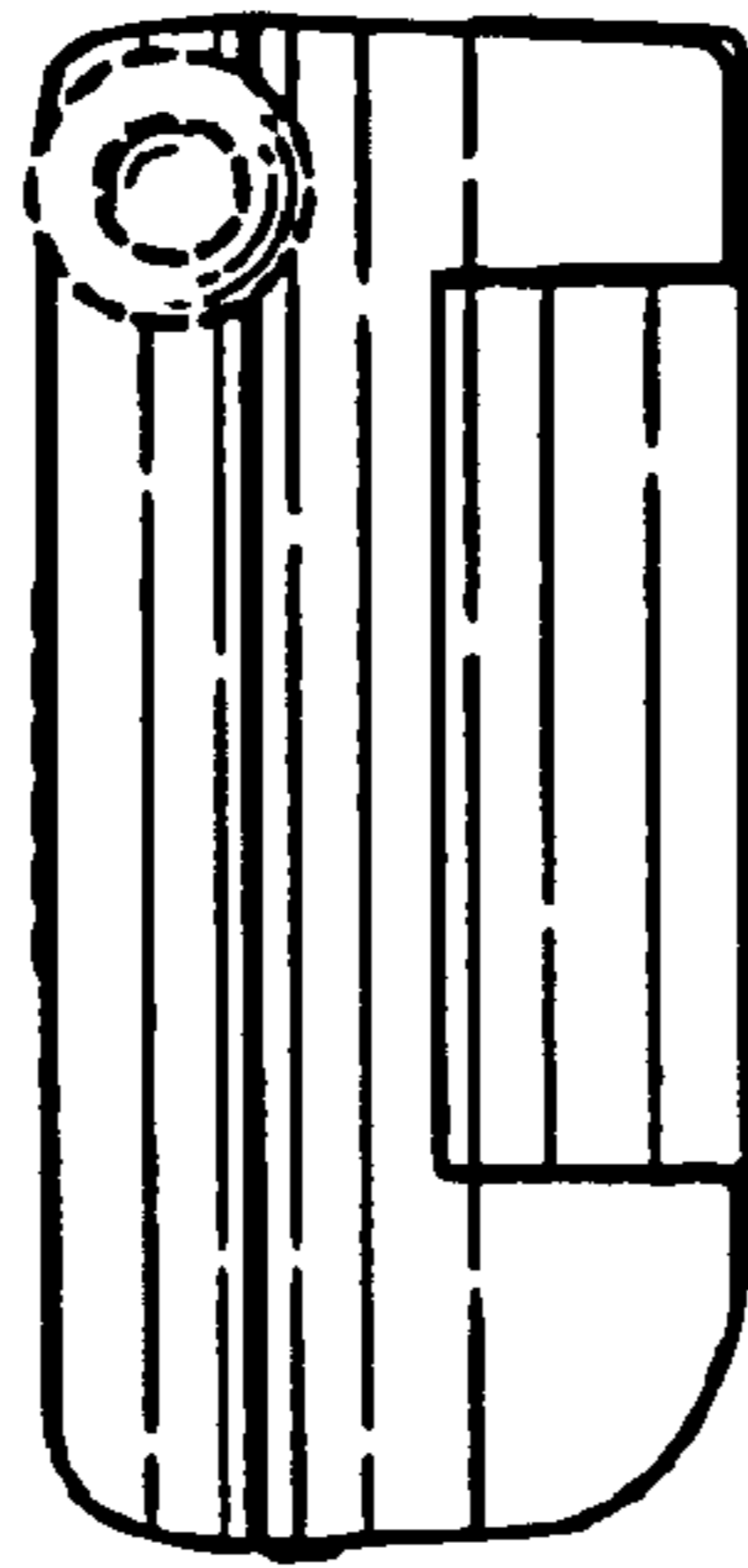


FIG. 22



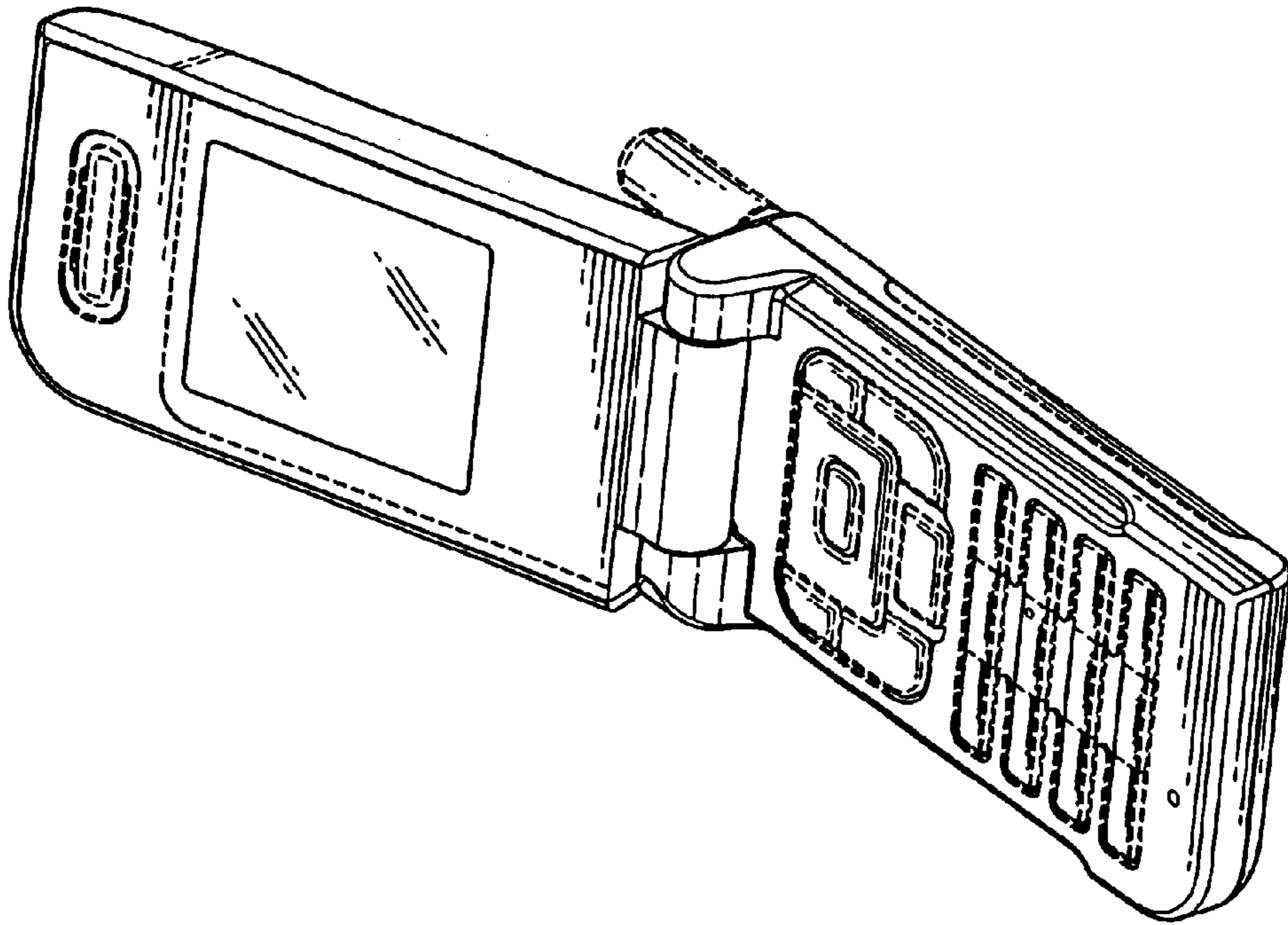


FIG. 24

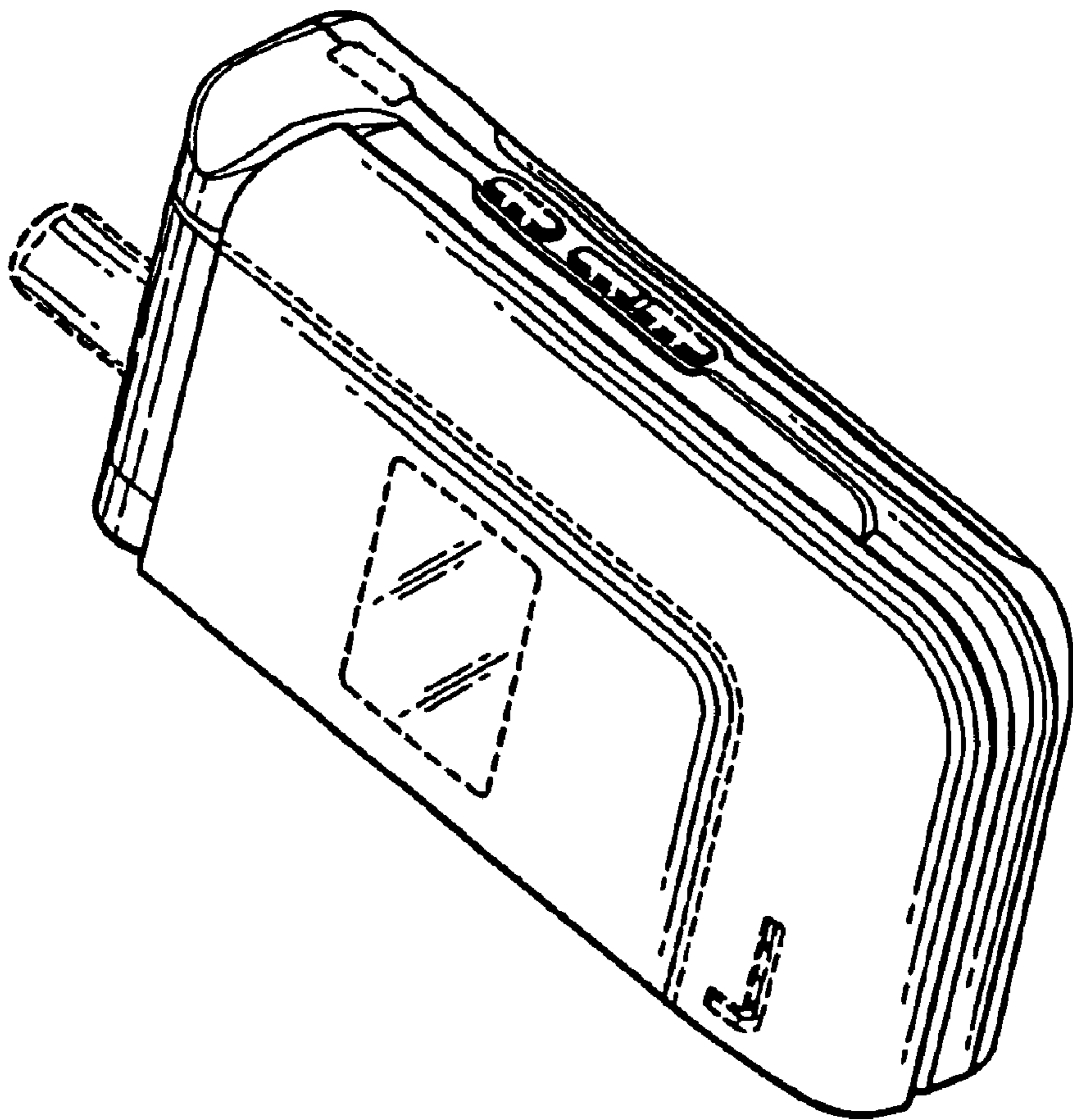


FIG. 25

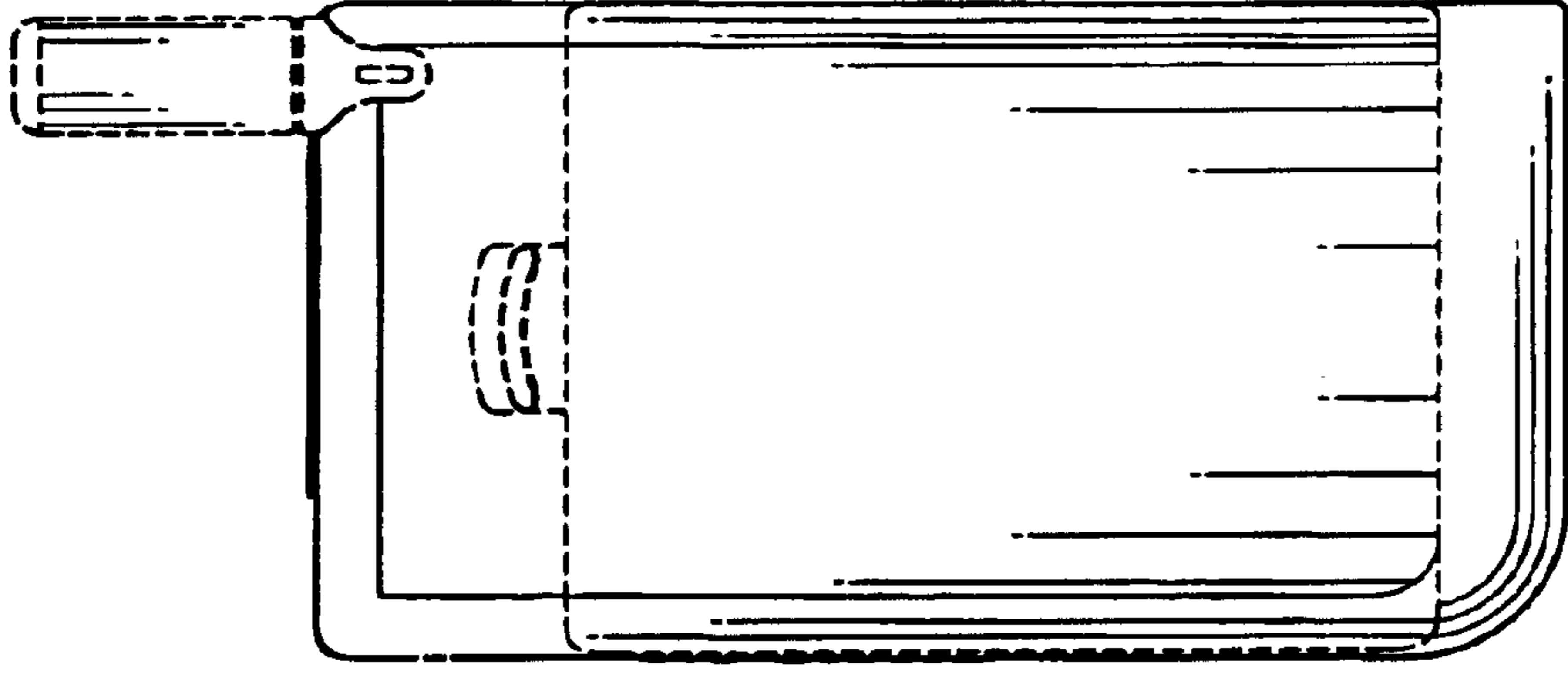


FIG. 27

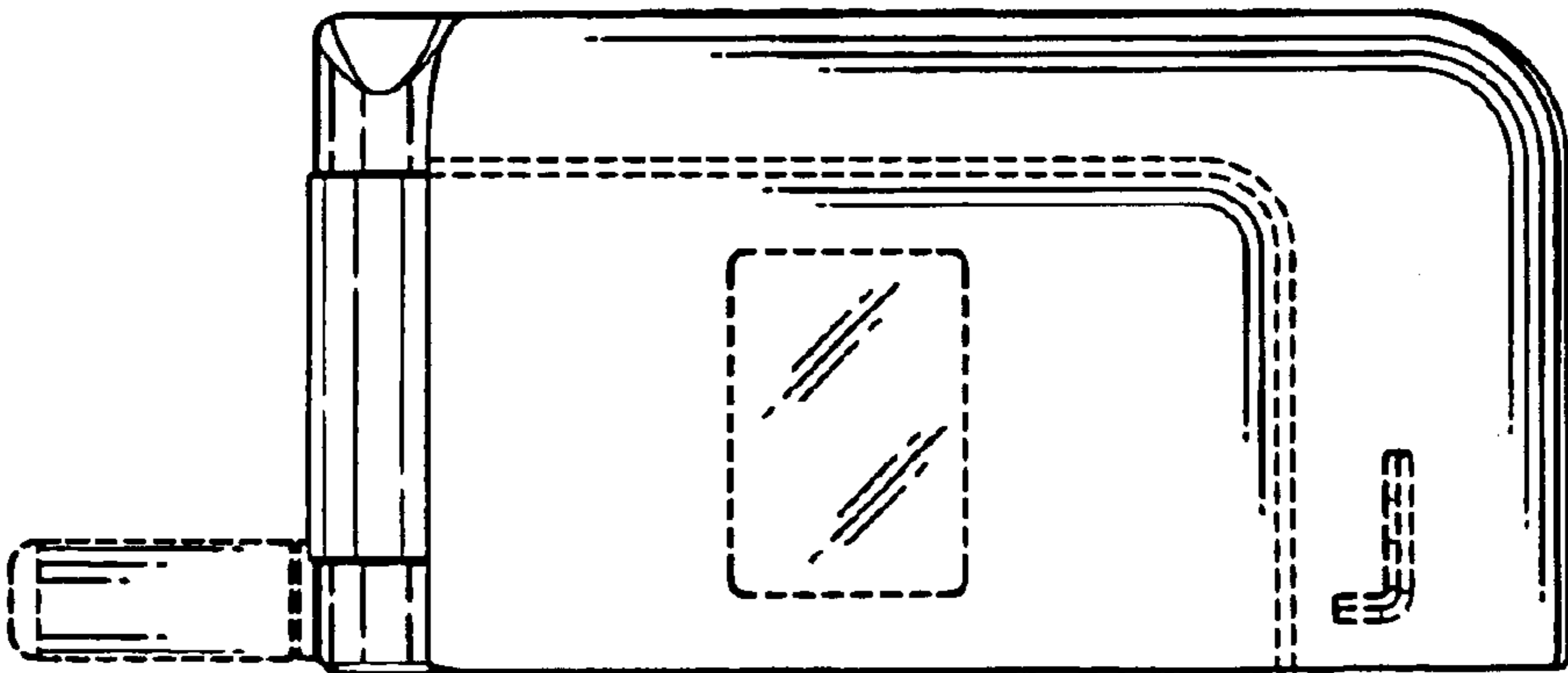


FIG. 26

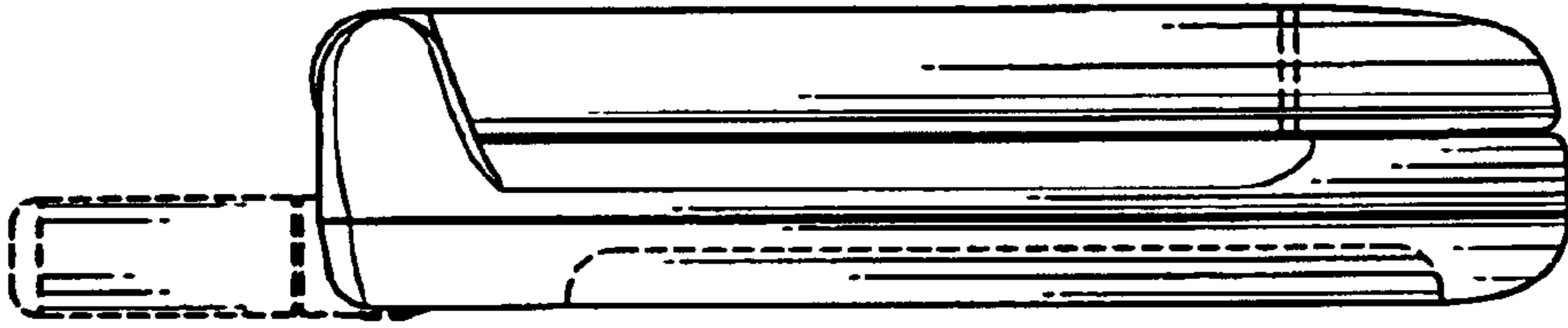


FIG. 29

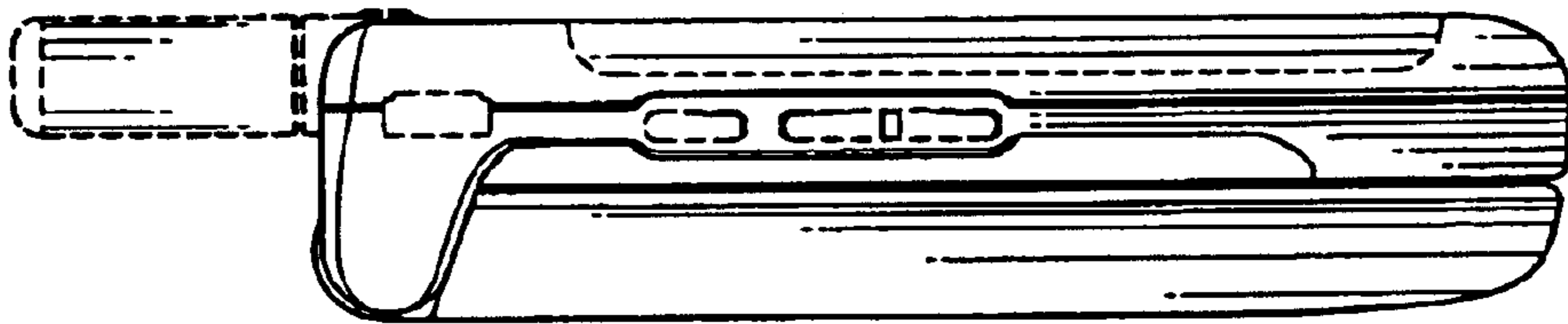


FIG. 28

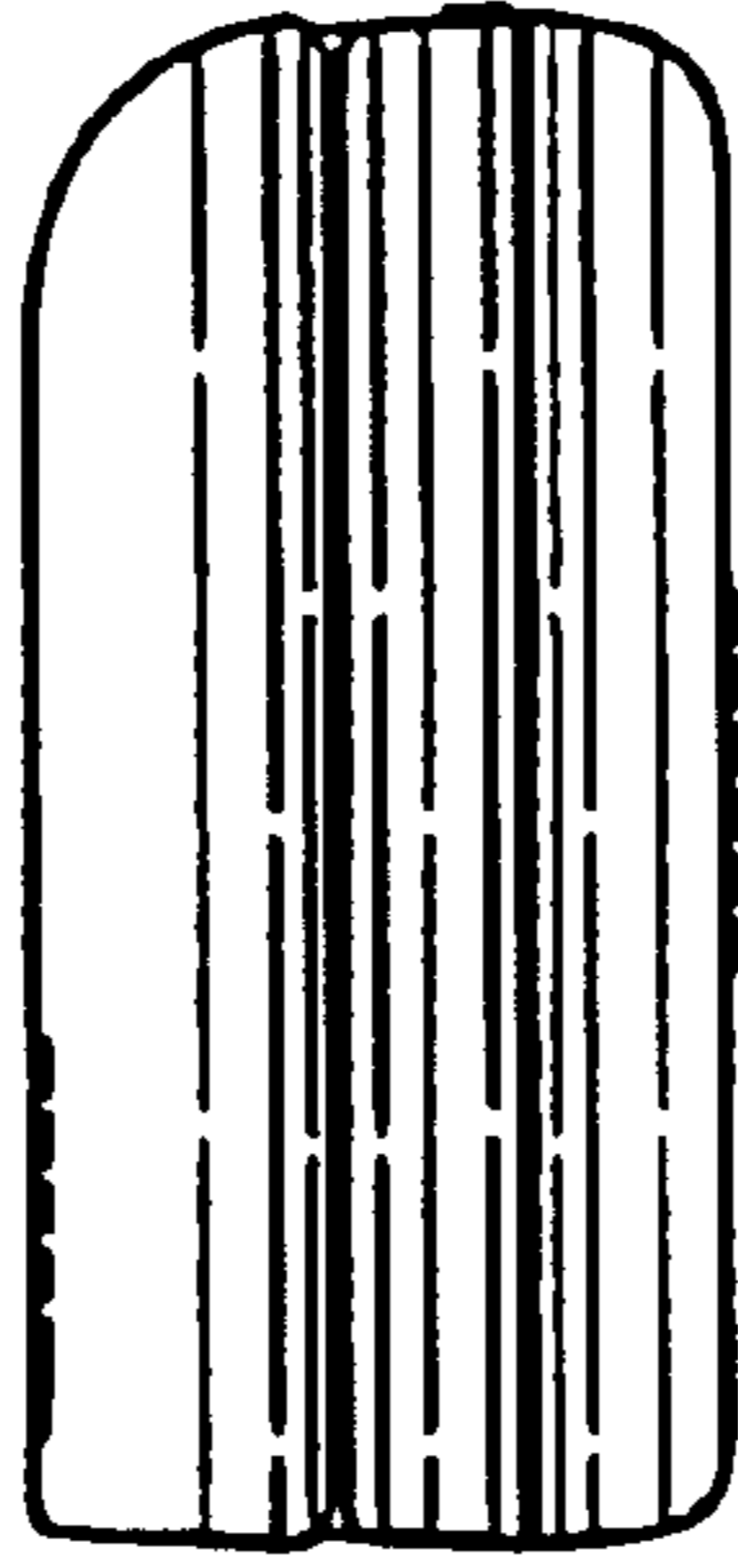


FIG. 31

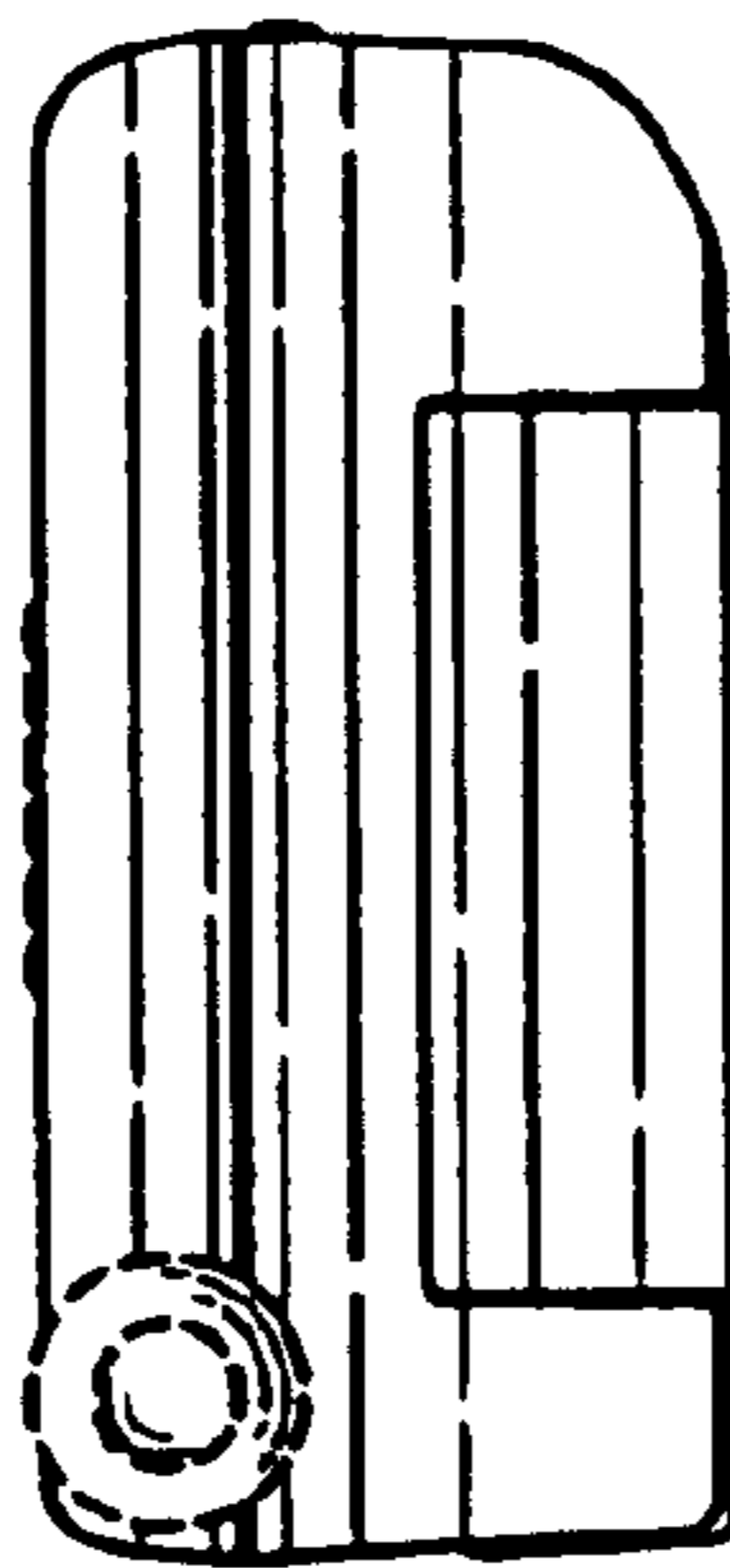


FIG. 30

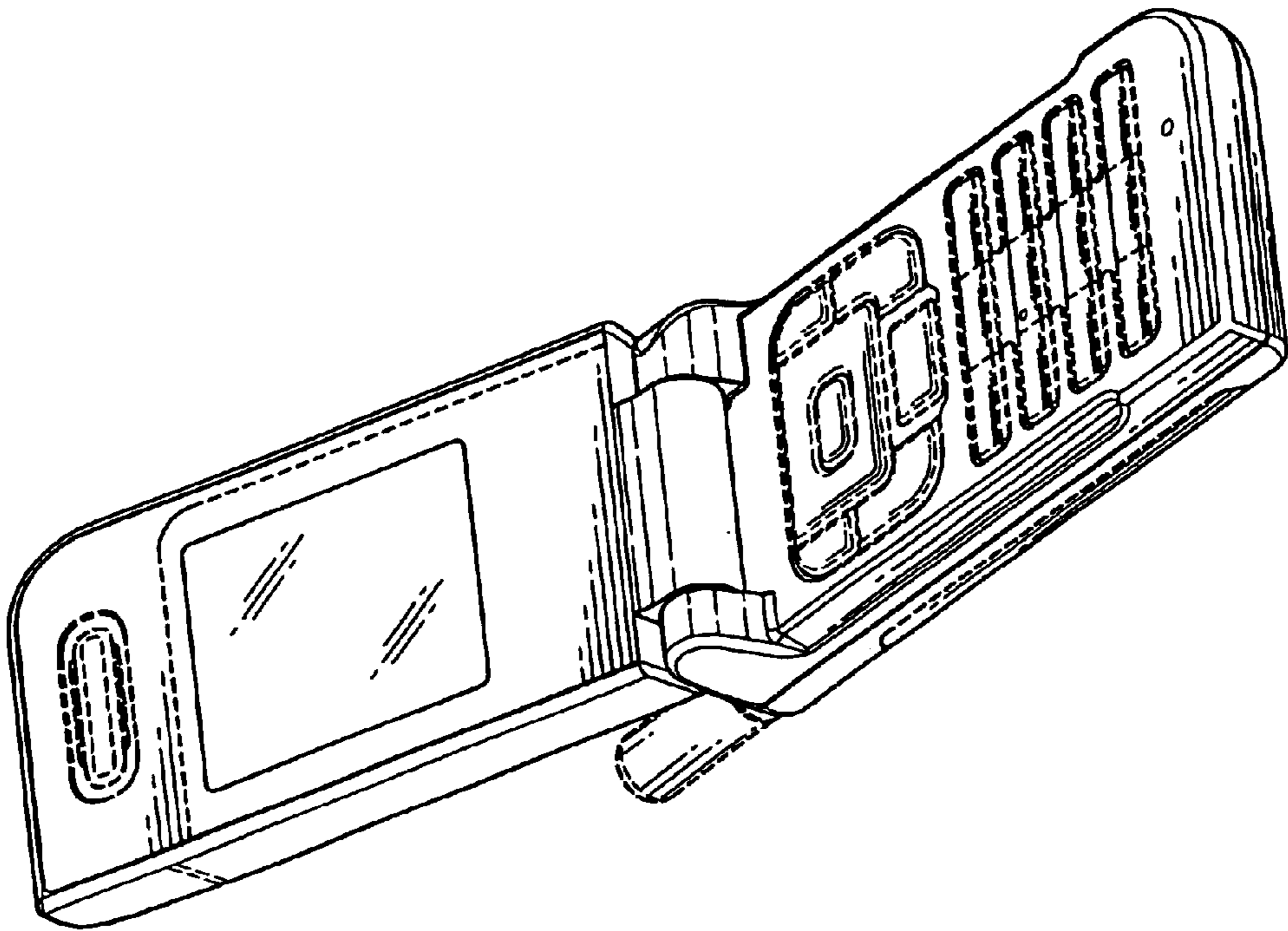


FIG. 32