



US00D490786S

(12) **United States Design Patent**
Richards et al.

(10) **Patent No.:** **US D490,786 S**

(45) **Date of Patent:** **** Jun. 1, 2004**

(54) **PORTABLE RADIO**

(75) Inventors: **Scott H. Richards**, Plantation, FL (US);
Felix Alvarez, Miami, FL (US); **Jorge L. Garcia**, Plantation, FL (US)

(73) Assignee: **Motorola, Inc.**, Schaumburg, IL (US)

(**) Term: **14 Years**

(21) Appl. No.: **29/176,746**

(22) Filed: **Feb. 26, 2003**

(51) **LOC (7) Cl.** **14-03**

(52) **U.S. Cl.** **D14/137**

(58) **Field of Search** D14/137, 138,
D14/218, 147-149, 247-249, 144, 240,
242, 341-347, 399, 426, 387, 429, 453,
197, 198, 189, 192, 193, 157, 194, 195,
196, 158; 379/433.01-433.13, 434, 419,
420.01-420.04, 428.01-428.02, 440; 455/550.01-90.3;
D13/168; D18/2, 7; D21/517, 329, 331,
333; D10/104, 106, 65; 381/86

(56) **References Cited**

U.S. PATENT DOCUMENTS

- D273,864 S * 5/1984 Eckmann D14/137
- D293,239 S * 12/1987 Larson et al. D14/155
- D295,404 S * 4/1988 Tokiyama D14/137
- 4,856,088 A * 8/1989 Oliwa et al. 455/349

- D347,427 S * 5/1994 Culbertson et al. D14/137
- D348,664 S * 7/1994 Imazeki D14/137
- D395,433 S * 6/1998 Kee D14/192
- D406,834 S * 3/1999 Metzcus et al. D14/138
- D408,396 S * 4/1999 Tyneski et al. D14/137
- D416,252 S * 11/1999 Haase et al. D14/137
- D441,744 S * 5/2001 Miyazaki D14/240
- D451,896 S * 12/2001 Kim D14/137
- D467,565 S * 12/2002 Pesqueira et al. D14/137

* cited by examiner

Primary Examiner—Jeffrey Asch

(57) **CLAIM**

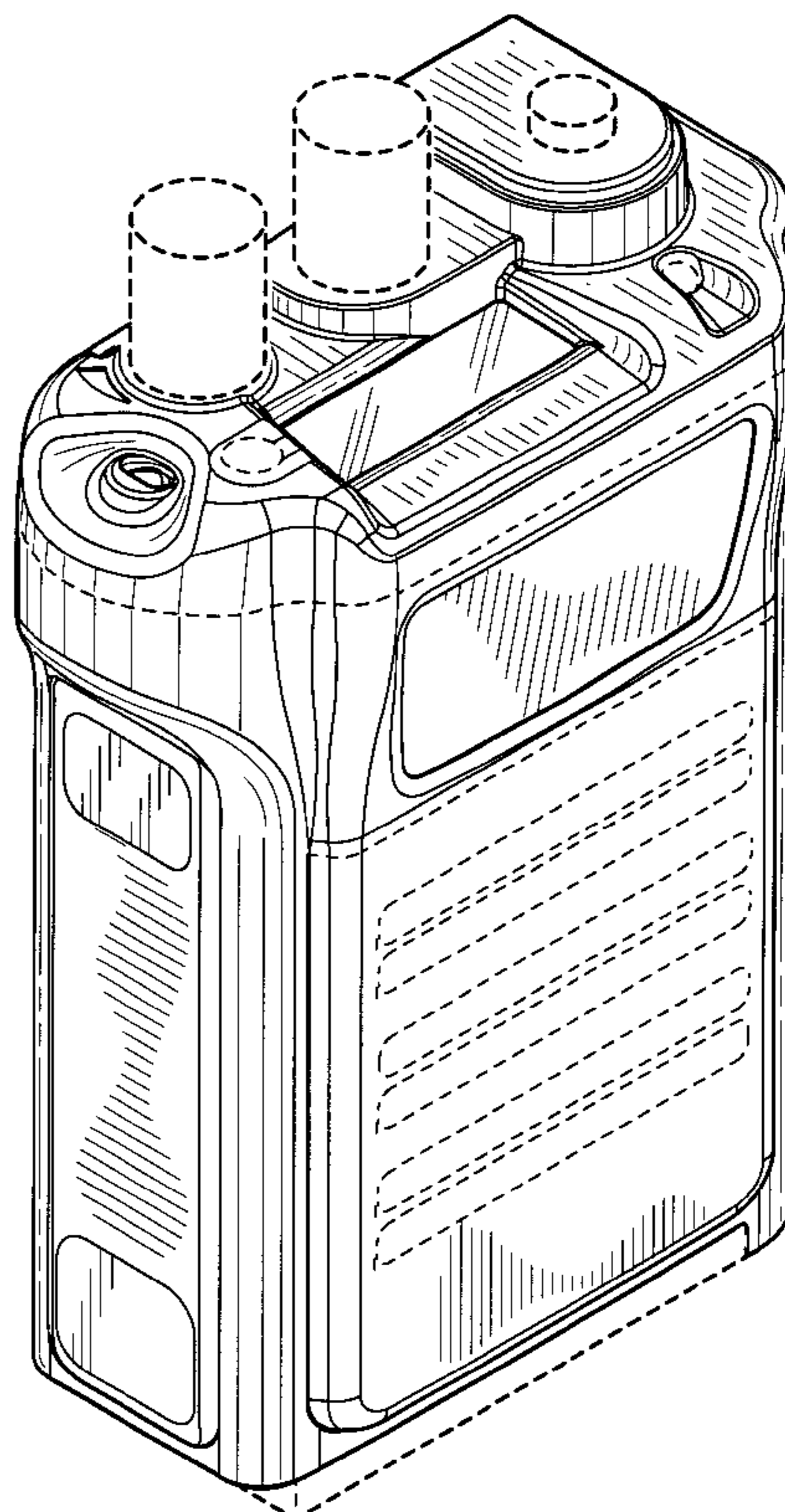
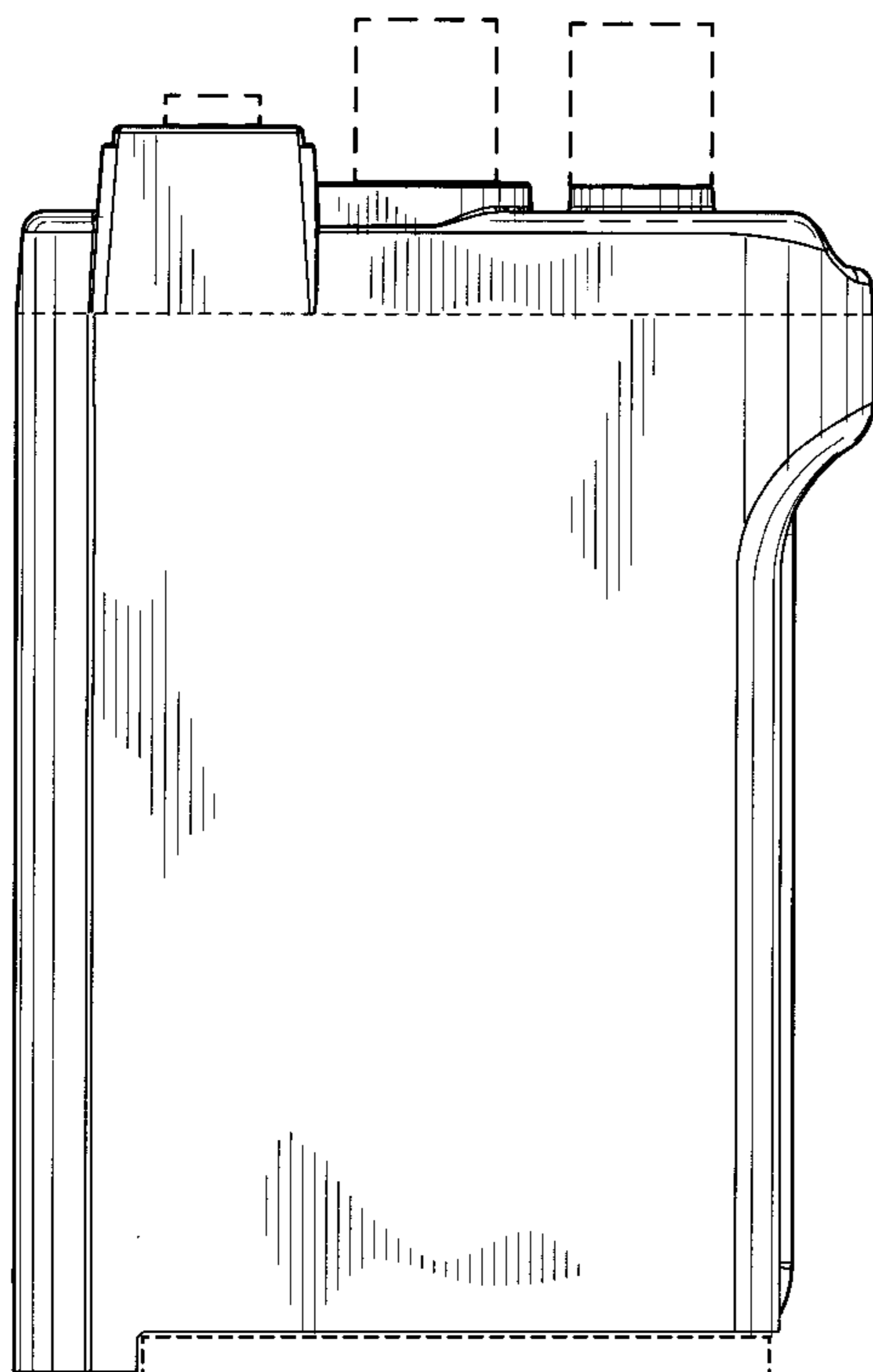
The ornamental design for a portable radio, as shown and described.

DESCRIPTION

FIG. 1 is a front elevational view of one embodiment of a portable radio showing our new design; FIG. 2 is a rear elevational view thereof; FIG. 3 is a left side elevational view thereof; and FIG. 4 is a right side elevational view thereof; and FIG. 5 is a top plan view thereof; and FIG. 6 is a bottom plan view thereof; and, FIG. 7 is a perspective view thereof.

The broken lines shown in FIGS. 1 through 7 are included for the purpose of illustrating environmental elements only and form no part of the claimed design.

1 Claim, 6 Drawing Sheets



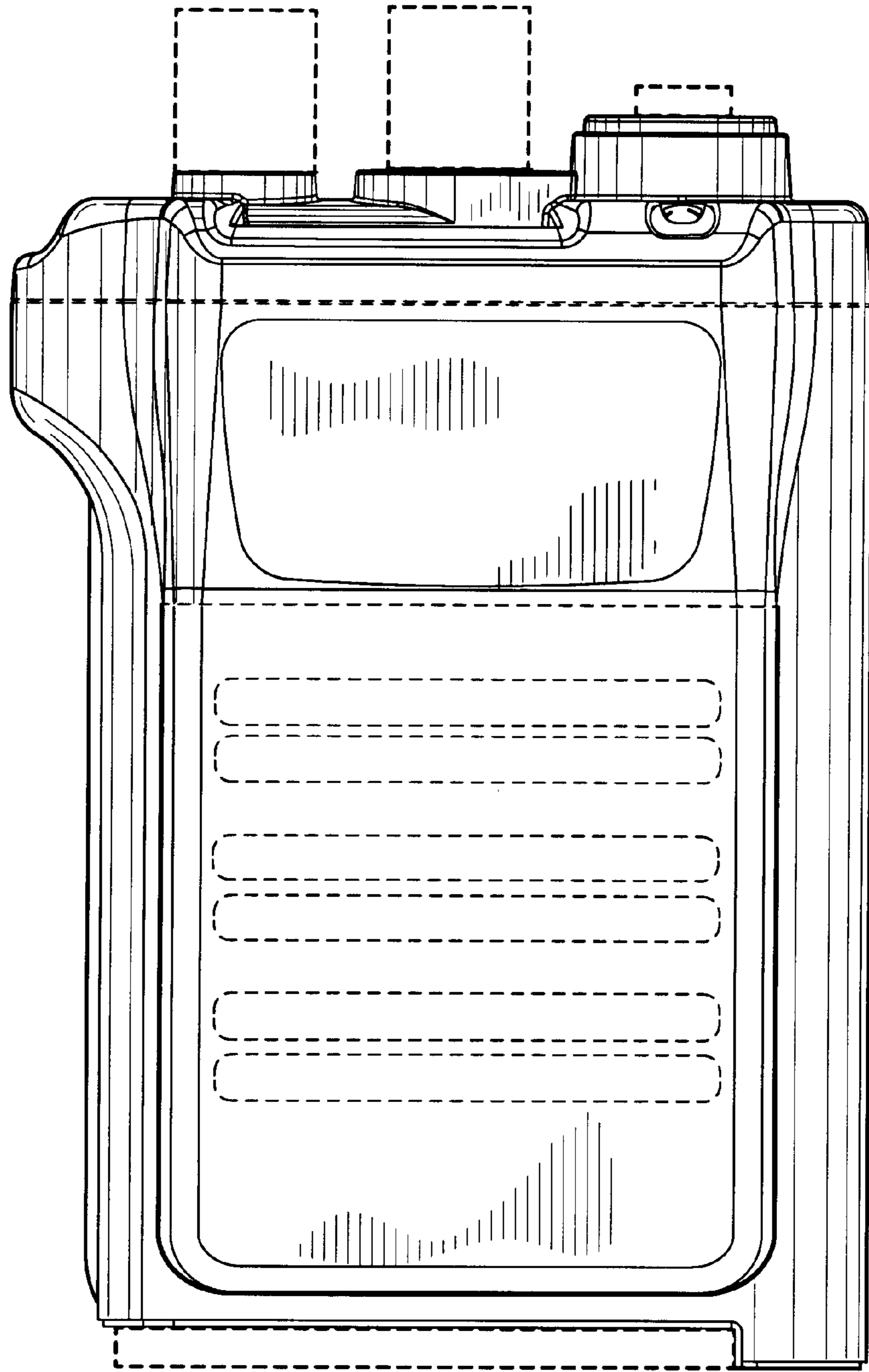


FIG. 1

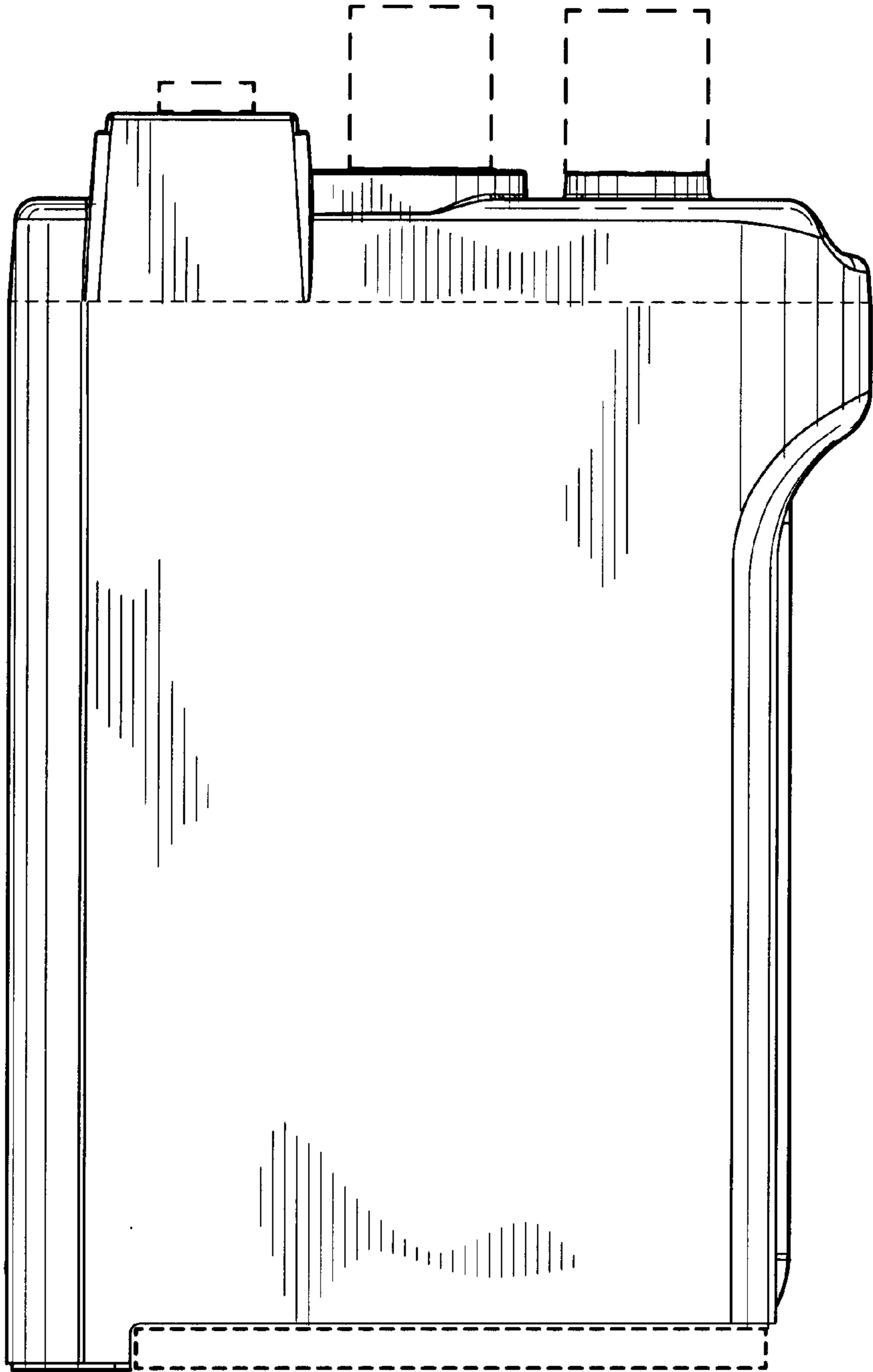


FIG. 2

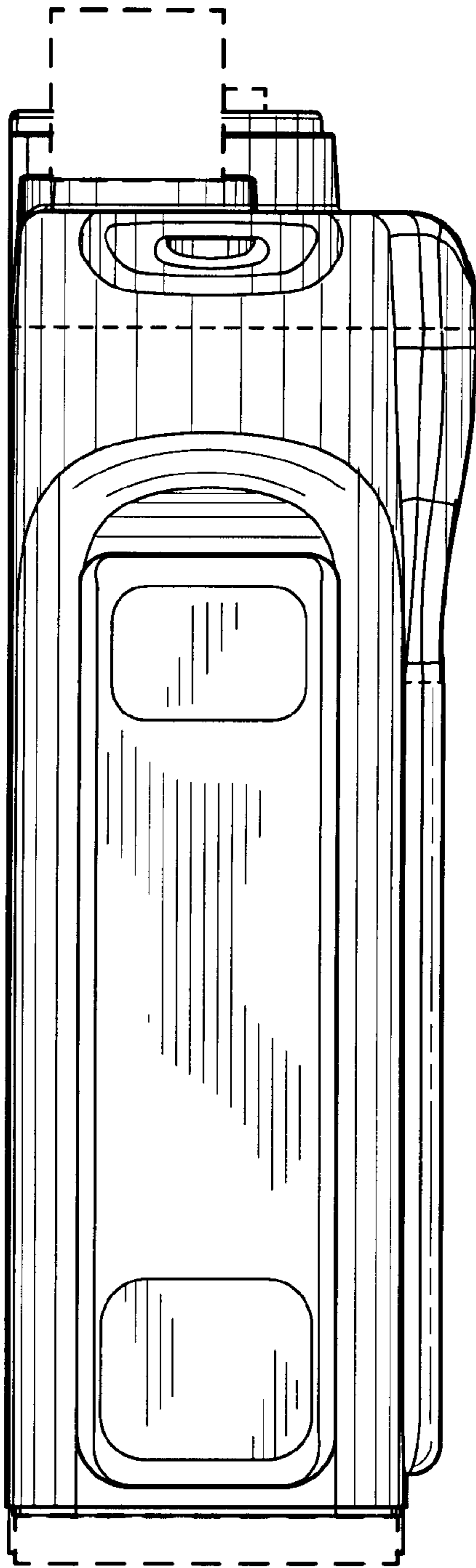


FIG. 3

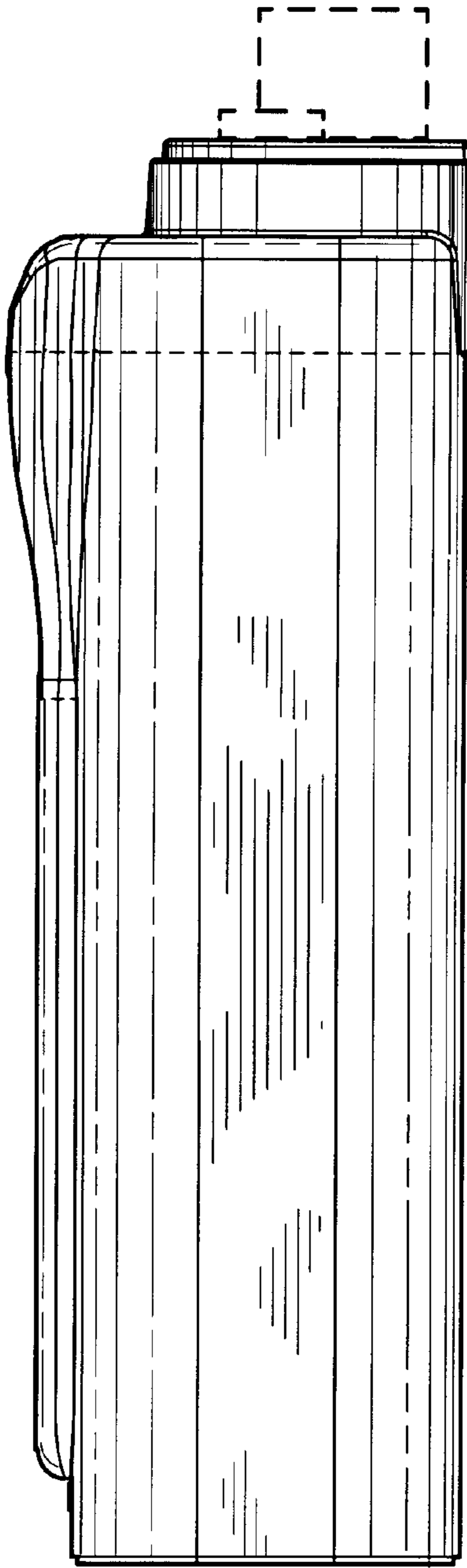


FIG. 4

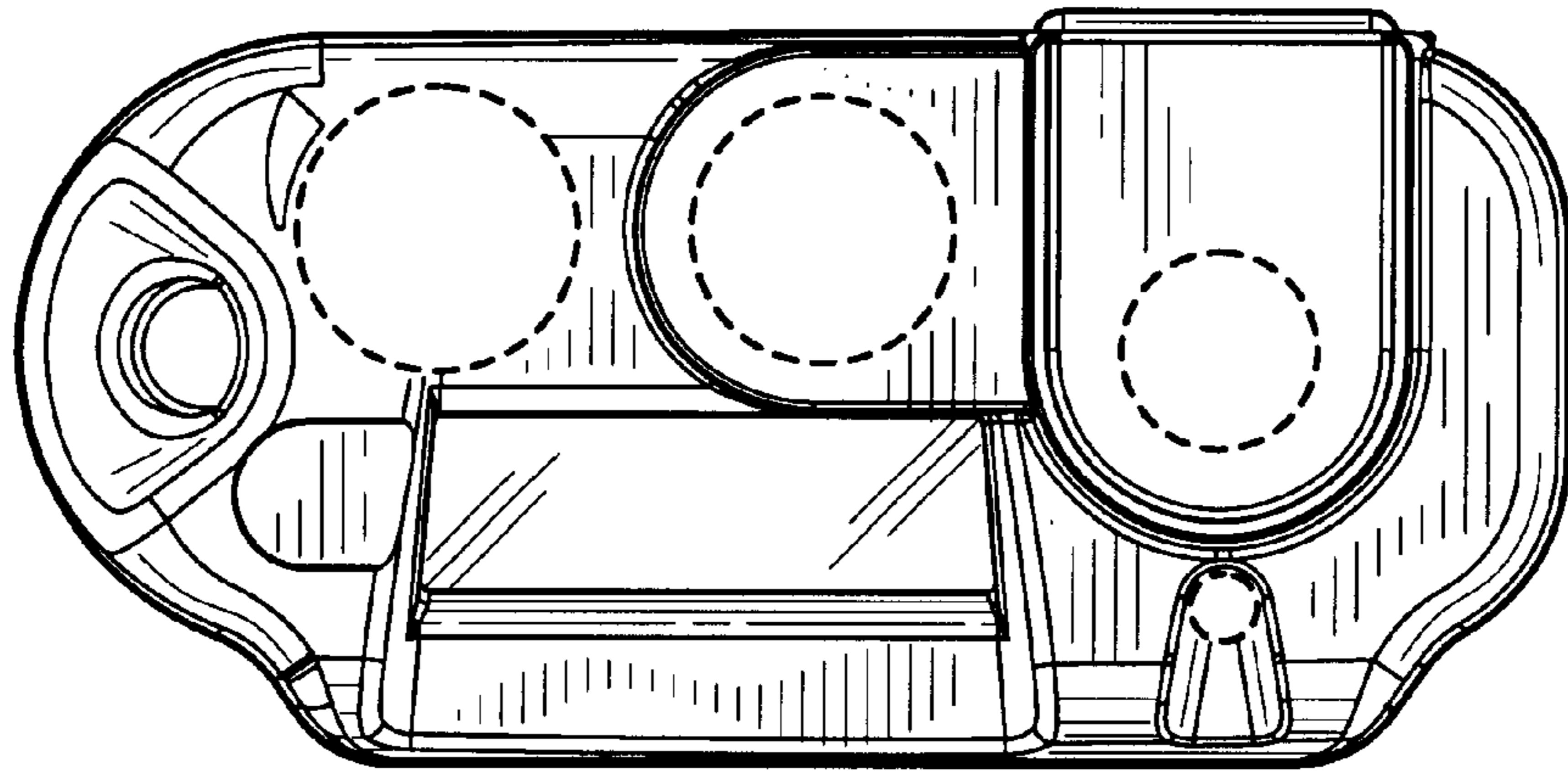


FIG. 5

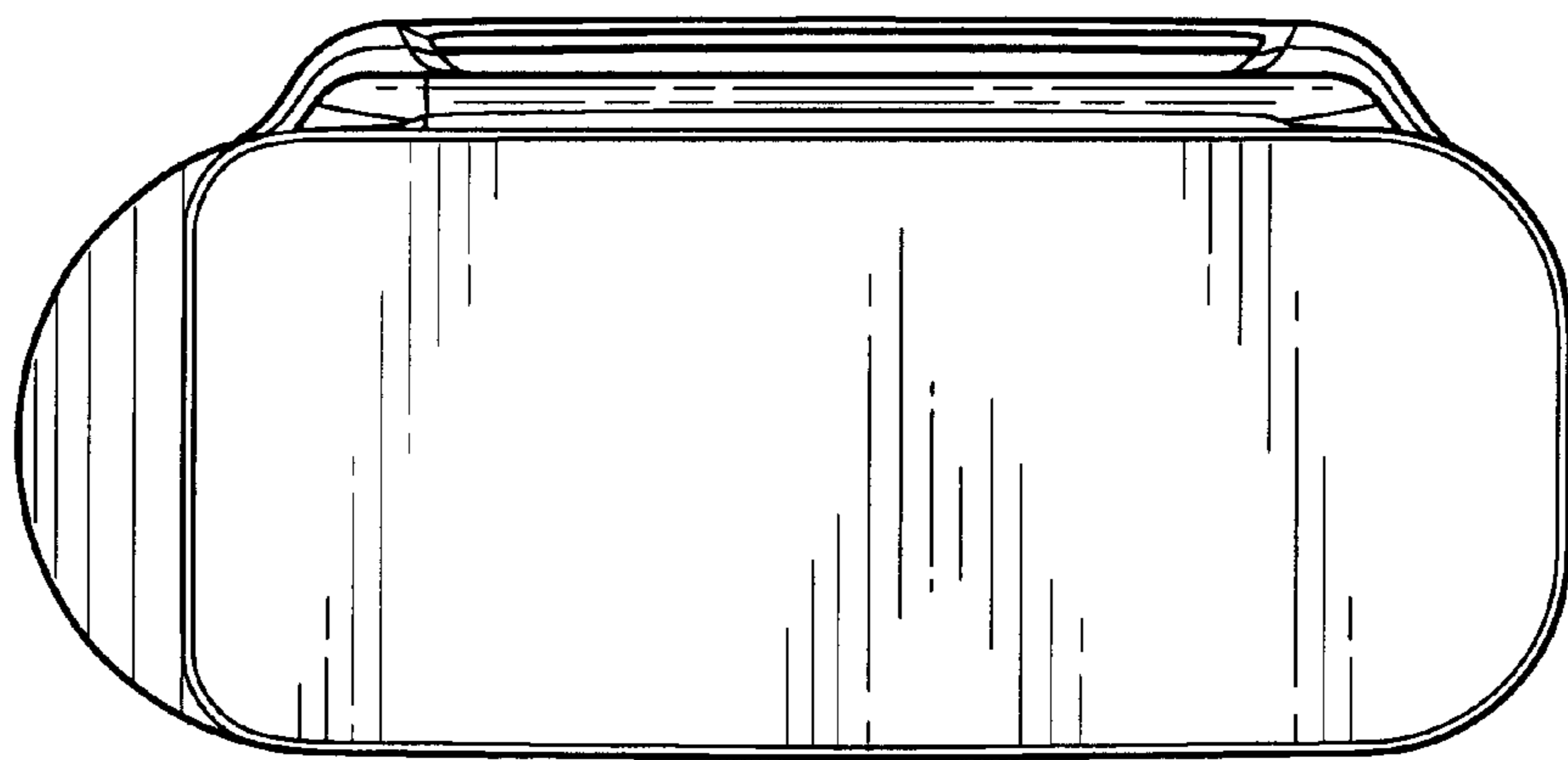


FIG. 6

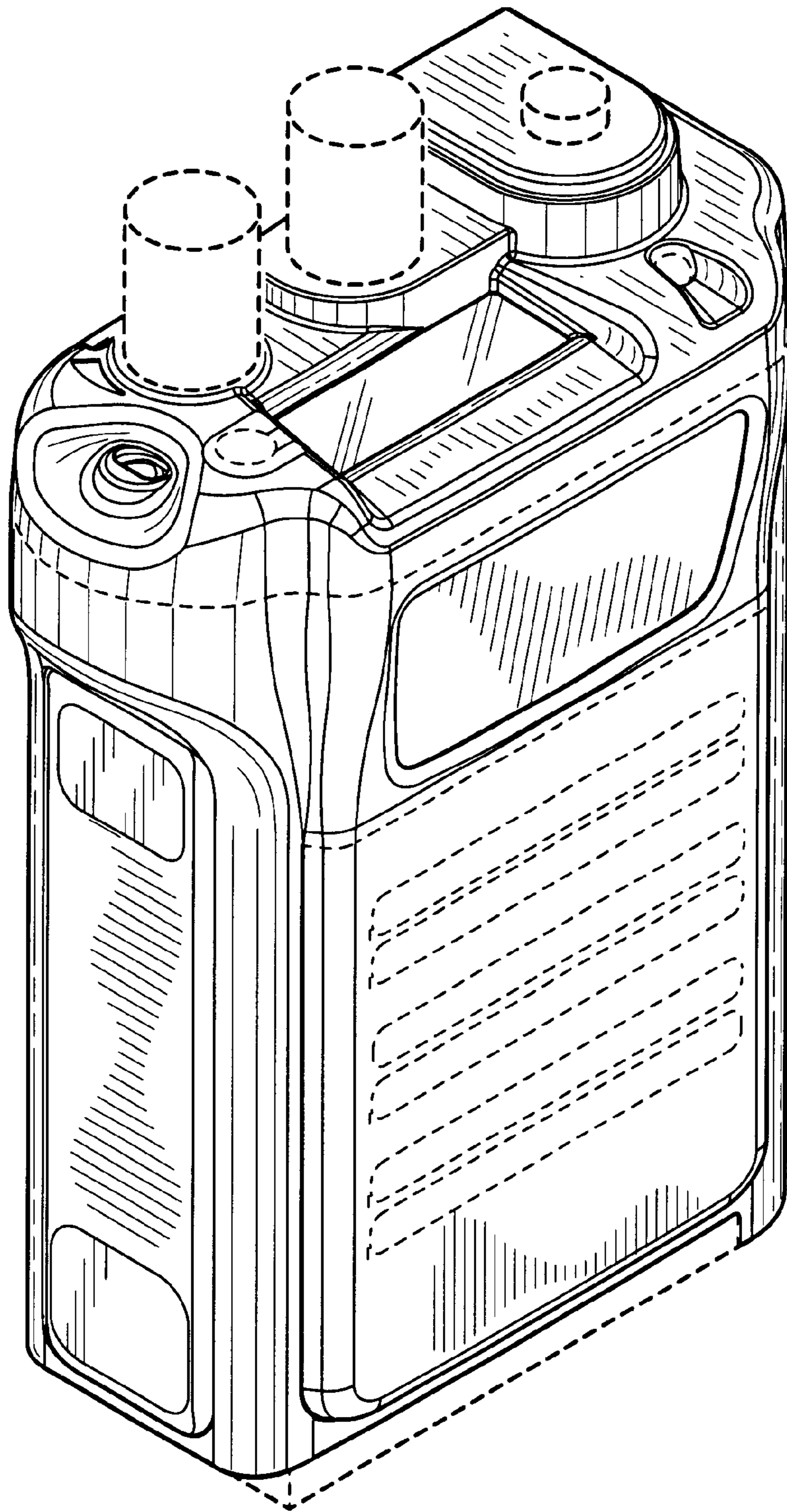


FIG. 7