



US00D490784S

(12) **United States Design Patent**
Ishida

(10) **Patent No.:** **US D490,784 S**

(45) **Date of Patent:** **** Jun. 1, 2004**

(54) **LIGHT EMITTING DIODE**

D478,877 S * 8/2003 Hoshiba D13/182
D482,337 S * 11/2003 Kamada D13/182

(75) Inventor: **Masashi Ishida**, Anan (JP)

FOREIGN PATENT DOCUMENTS

(73) Assignee: **Nichia Corporation**, Anan (JP)

JP D984224 S 7/1997

(**) Term: **14 Years**

OTHER PUBLICATIONS

(21) Appl. No.: **29/186,579**

Surface Mount Type LED—Light Emitting Diode, Product Guide, Jan. 2001, 6 pages, Cat. No. 01033K, Nichia Corporation, Japan.

(22) Filed: **Jul. 21, 2003**

* cited by examiner

Related U.S. Application Data

(63) Continuation of application No. 29/159,905, filed on May 1, 2002.

Primary Examiner—Philip S. Hyder

Assistant Examiner—Selina Sikder

(51) **LOC (7) Cl.** **13-03**

(74) *Attorney, Agent, or Firm*—Smith Patent Office

(52) **U.S. Cl.** **D13/180**

(57) **CLAIM**

(58) **Field of Search** D10/104, 114;
D13/180, 182; D26/37; 174/52.2; 257/79,
88, 89, 93–96, 91, 98, 99, 100, 432, 433,
434, 678, 684, 698; 313/499, 500; 362/35,
226, 249, 287, 294, 800

I claim the ornamental design for a light emitting diode, as shown and described.

DESCRIPTION

(56) **References Cited**

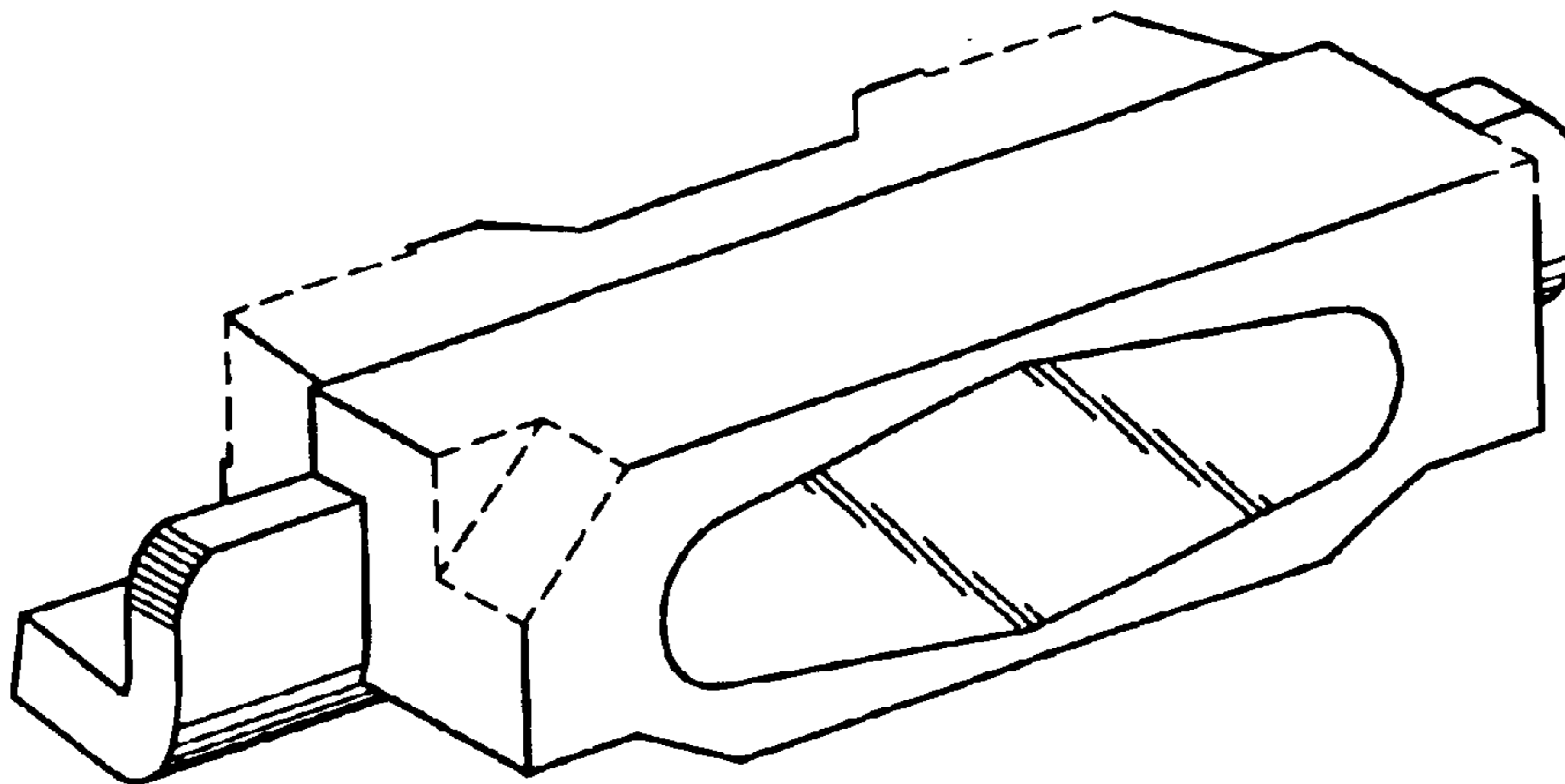
U.S. PATENT DOCUMENTS

- 4,152,624 A 5/1979 Knaebel
- 4,466,050 A * 8/1984 Lockard 362/307
- 4,959,761 A 9/1990 Critelli et al.
- D312,979 S 12/1990 Oesterheld et al.
- D314,919 S 2/1991 Villar
- 5,045,895 A 9/1991 Yoshida et al.
- 5,226,053 A 7/1993 Cho et al.
- 5,325,271 A * 6/1994 Hutchisson 362/555
- 5,528,079 A * 6/1996 McIver 257/698
- RE36,614 E 3/2000 Lumbar et al.
- D432,095 S 10/2000 Seeger et al.
- D437,798 S 2/2001 Kiba et al.
- D439,351 S 3/2001 Kiba et al.
- 6,315,432 B1 11/2001 Kuo
- D453,745 S 2/2002 Suenaga

FIG. 1 is a perspective view of the light emitting diode showing my new design;
 FIG. 2 is a top plan view of the light emitting diode according to FIG. 1;
 FIG. 3 is a left side elevational view of the light emitting diode according to FIG. 1;
 FIG. 4 is a front elevational view of the light emitting diode according to FIG. 1;
 FIG. 5 is a right side elevational view of the light emitting diode according to FIG. 1;
 FIG. 6 is a bottom plan of the light emitting diode according to FIG. 1; and,
 FIG. 7 is a rear elevational view of the light emitting diode according to FIG. 1.

The broken line showing of the environment is for illustrative purpose only and forms no part of the claimed design.

1 Claim, 2 Drawing Sheets



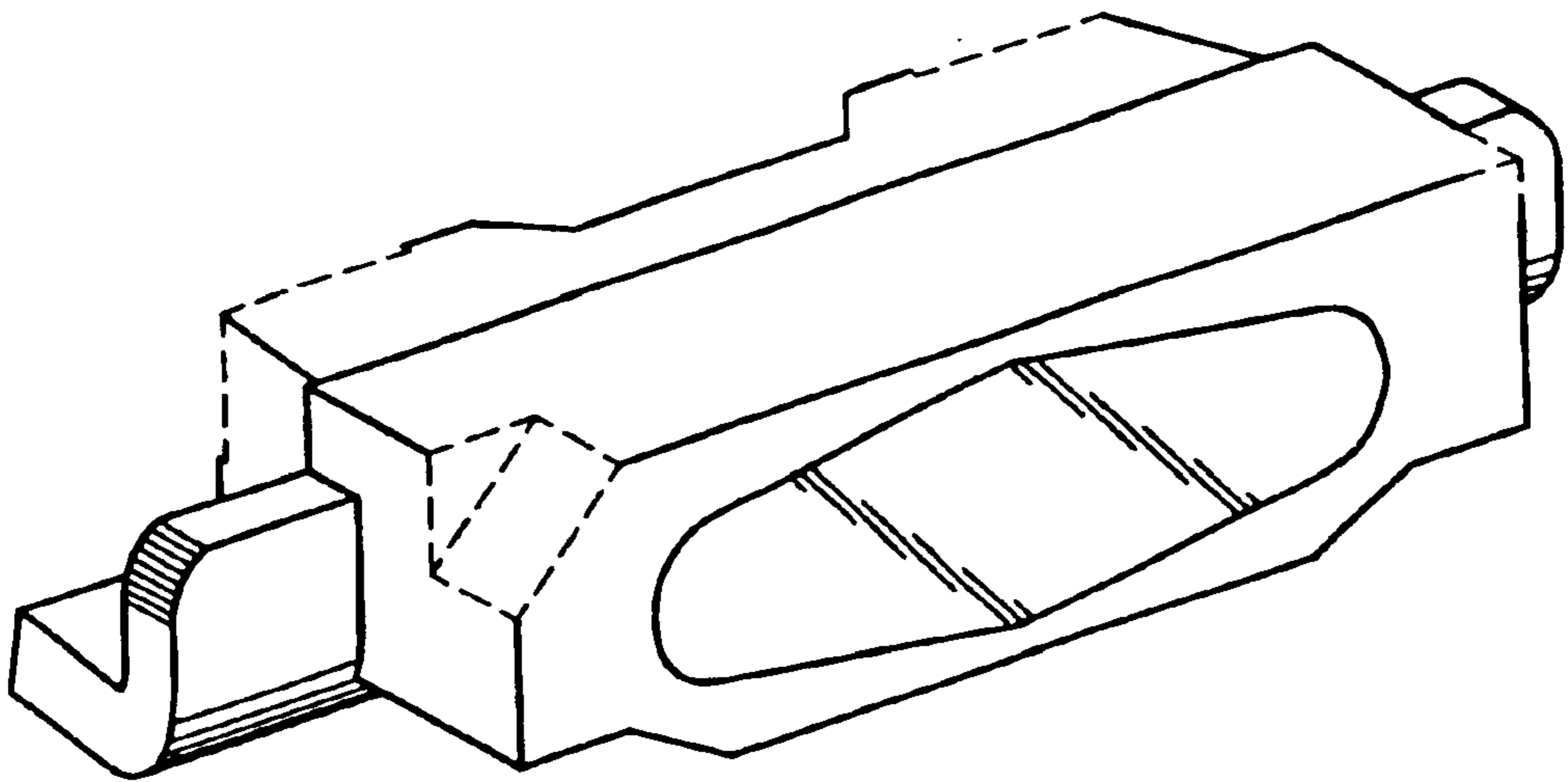


FIG. 1

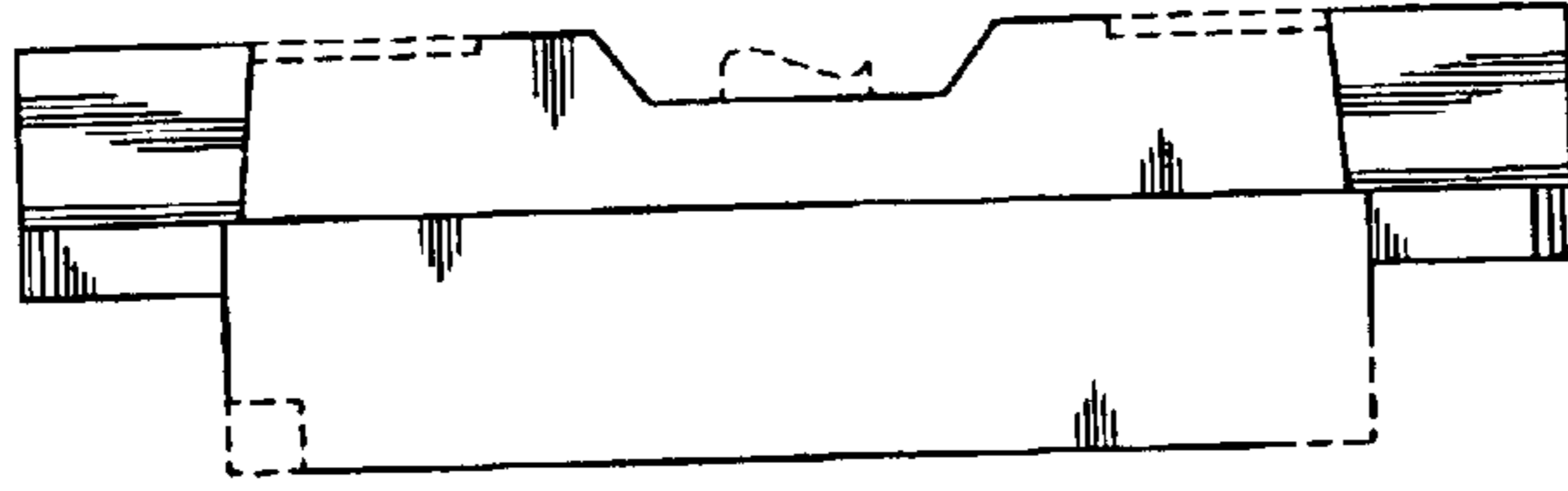


FIG. 2

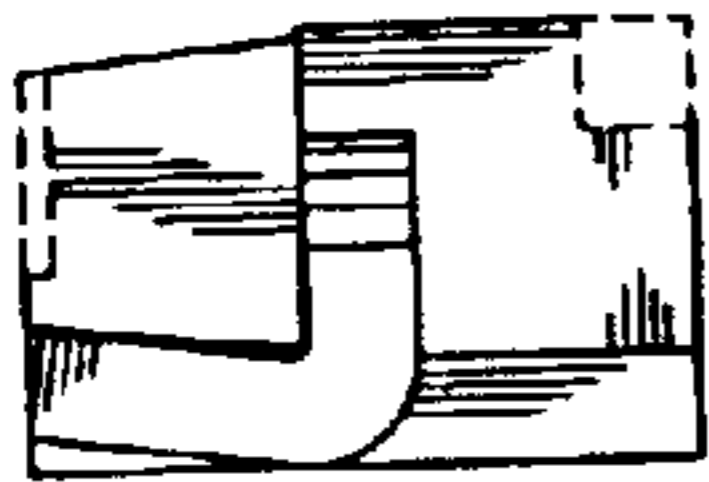


FIG. 3

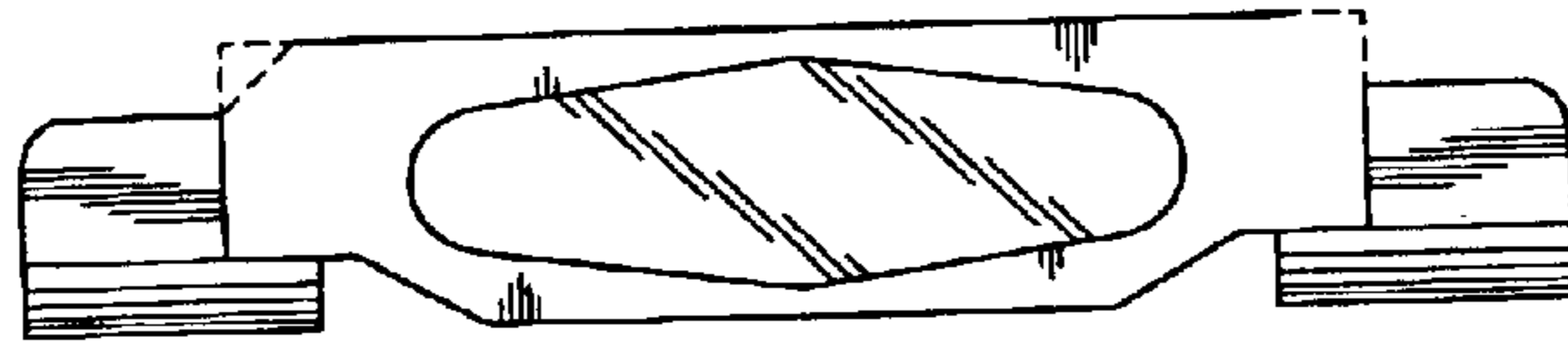


FIG. 4

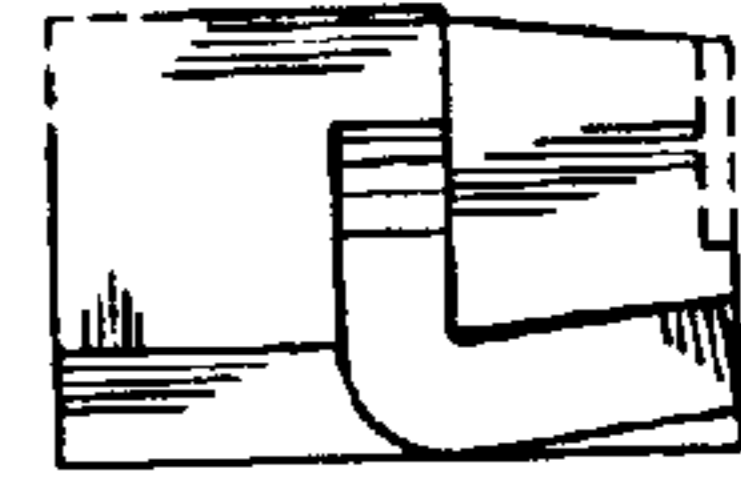


FIG. 5

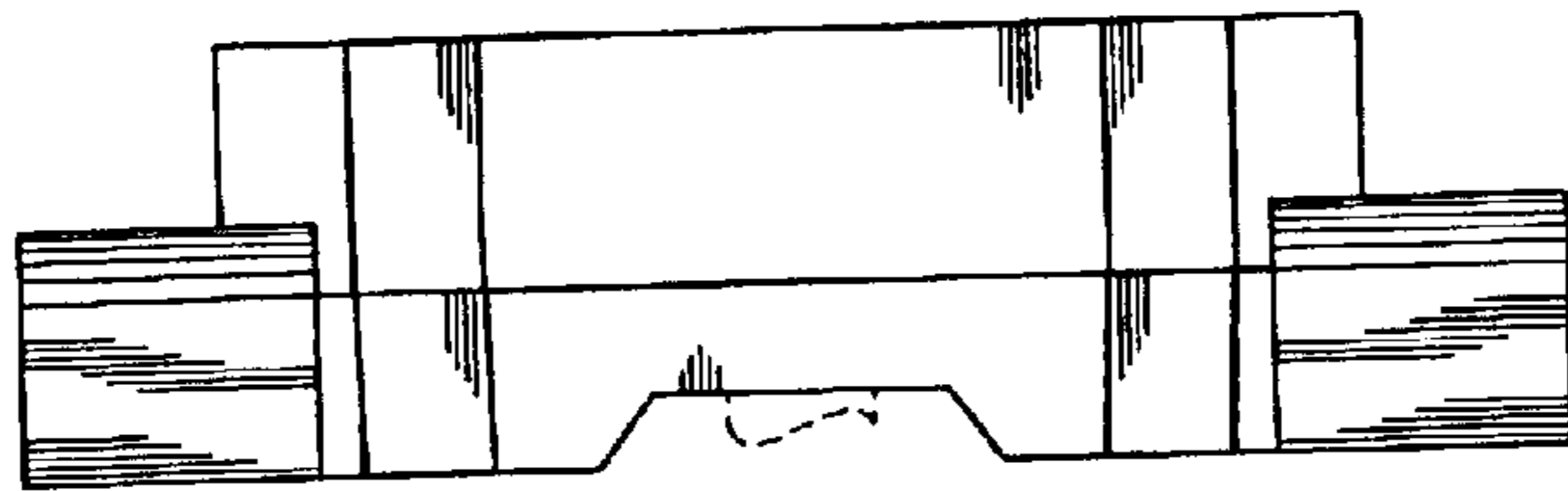


FIG. 6

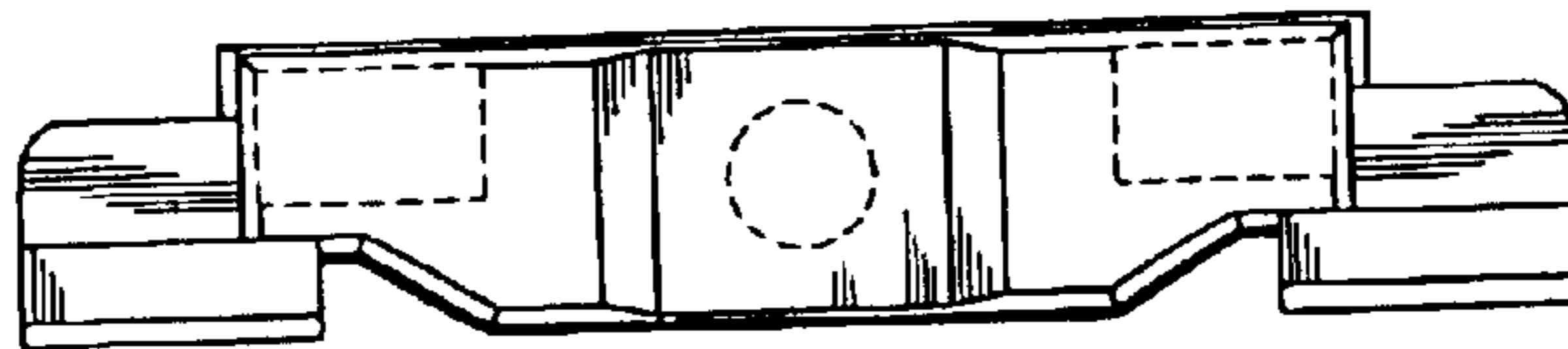


FIG. 7