



US00D490782S

(12) **United States Design Patent**
Suenaga

(10) **Patent No.:** **US D490,782 S**

(45) **Date of Patent:** **** Jun. 1, 2004**

(54) **LIGHT EMITTING DIODE**

(75) **Inventor:** **Ryoma Suenaga, Tokushima (JP)**

(73) **Assignee:** **Nichia Corporation, Anan (JP)**

(**) **Term:** **14 Years**

(21) **Appl. No.:** **29/173,581**

(22) **Filed:** **Jan. 3, 2003**

Related U.S. Application Data

(62) Division of application No. 29/151,833, filed on Dec. 12, 2001, which is a division of application No. 29/124,827, filed on Jun. 13, 2000, now Pat. No. Des. 453,745.

(30) **Foreign Application Priority Data**

Dec. 27, 1999	(JP)	11-36713
Dec. 27, 1999	(JP)	11-36714
Dec. 27, 1999	(JP)	11-36715
Dec. 27, 1999	(JP)	11-36716
Dec. 27, 1999	(JP)	11-36717

(51) **LOC (7) Cl.** **13-03**

(52) **U.S. Cl.** **D13/180**

(58) **Field of Search** D13/180, 182;
D10/104, 114; 36/137; 250/252.1; 257/88,
89, 91, 94, 98-99; 264/1.7; 313/500; 324/550;
361/104, 820; 362/152, 226, 249; 438/26;
439/57, 490, 557, 620

(56) **References Cited**

U.S. PATENT DOCUMENTS

D312,979 S	12/1990	Oesterheld et al.
5,045,895 A	9/1991	Yoshida et al.
5,094,628 A	3/1992	Kano

D350,493 S	9/1994	Gottlieb
5,915,993 A	6/1999	Belopolsky et al.
D437,798 S	2/2001	Kiba et al.

FOREIGN PATENT DOCUMENTS

JP	984224	7/1997
JP	984224-1	10/1997
JP	1077515	7/2000

OTHER PUBLICATIONS

Catalog of a Light Emitting Diode NSCW215E, Nichia Corporation, Jul. 27, 1999.

Hyper Sided White Hyper-Bright LED LWA673, Osram, Jun. 7 1999.

Primary Examiner—Ted Shooman

Assistant Examiner—Daniel Bui

(74) *Attorney, Agent, or Firm*—Burns, Doane, Swecker & Mathis, LLP

(57) **CLAIM**

The ornamental design for a, light emitting diode, as shown and described.

DESCRIPTION

FIG. 1 is a front elevational view of a light emitting diode showing my new design;

FIG. 2 is a rear elevational view thereof;

FIG. 3 is a top plan view thereof;

FIG. 4 is a bottom plan view thereof;

FIG. 5 is a right side elevational view thereof;

FIG. 6 is a left side elevational view thereof;

FIG. 7 is a front perspective view thereof; and,

FIG. 8 is a rear perspective view thereof.

1 Claim, 3 Drawing Sheets

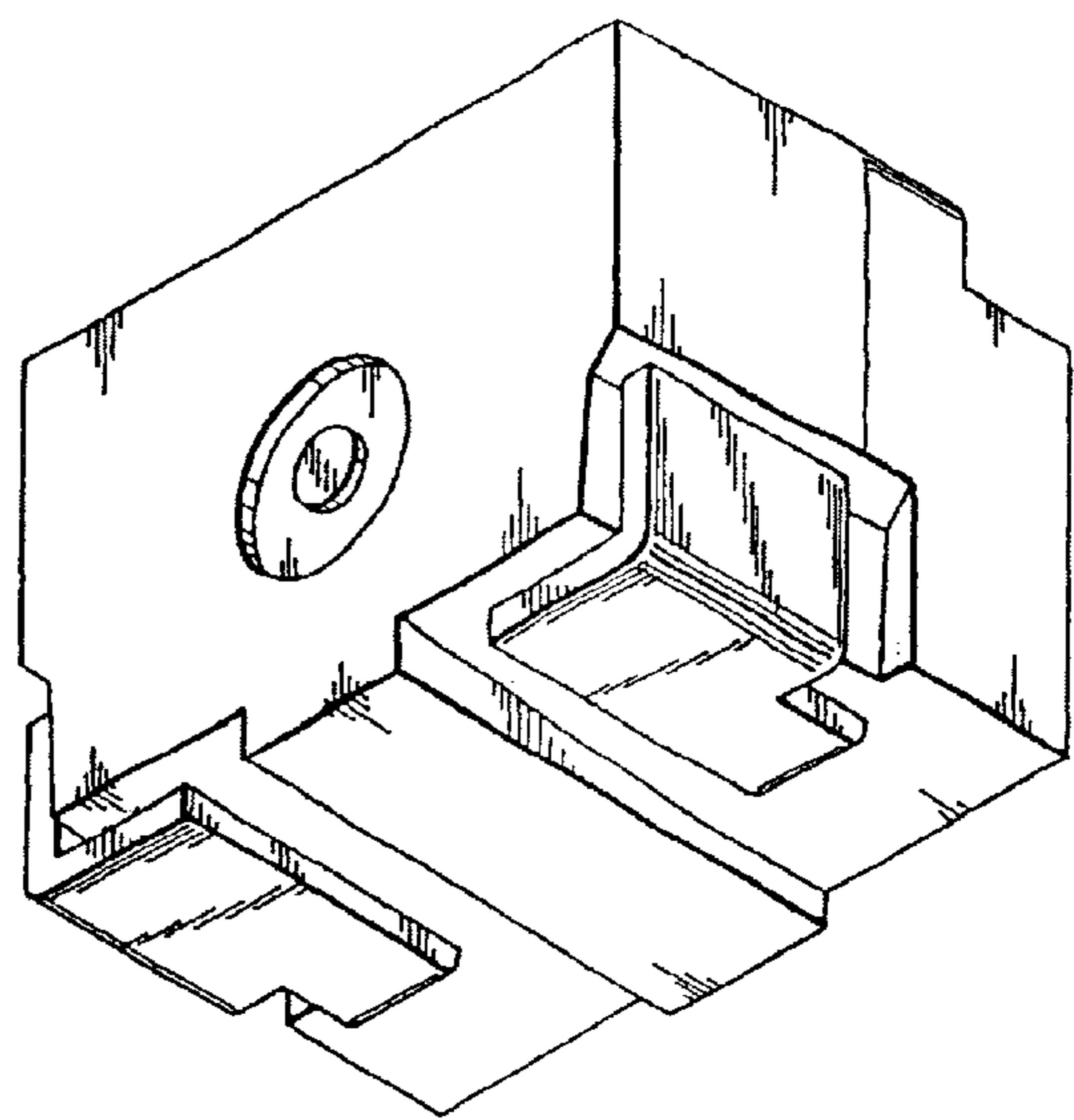
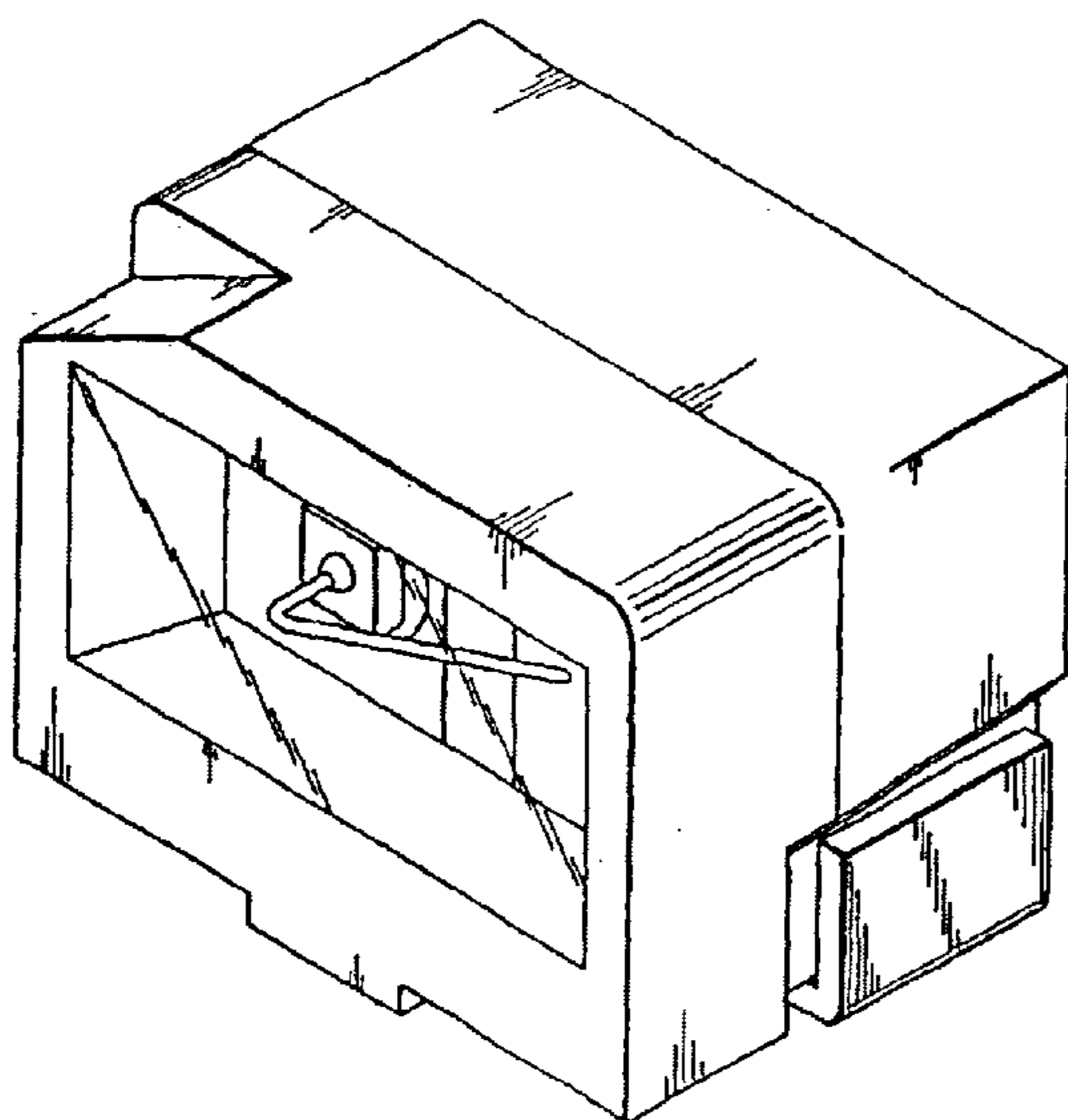


Fig. 1

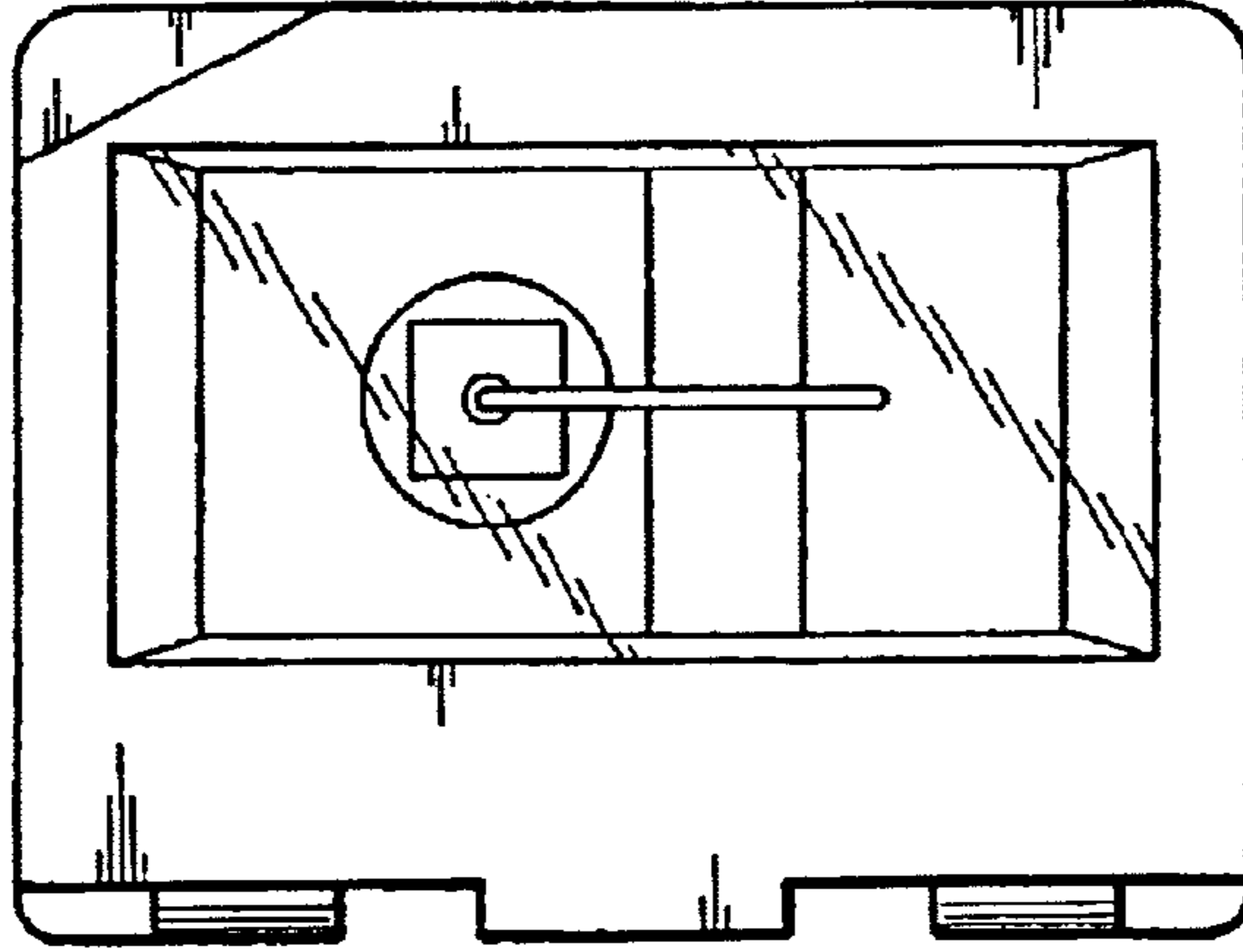


Fig. 2

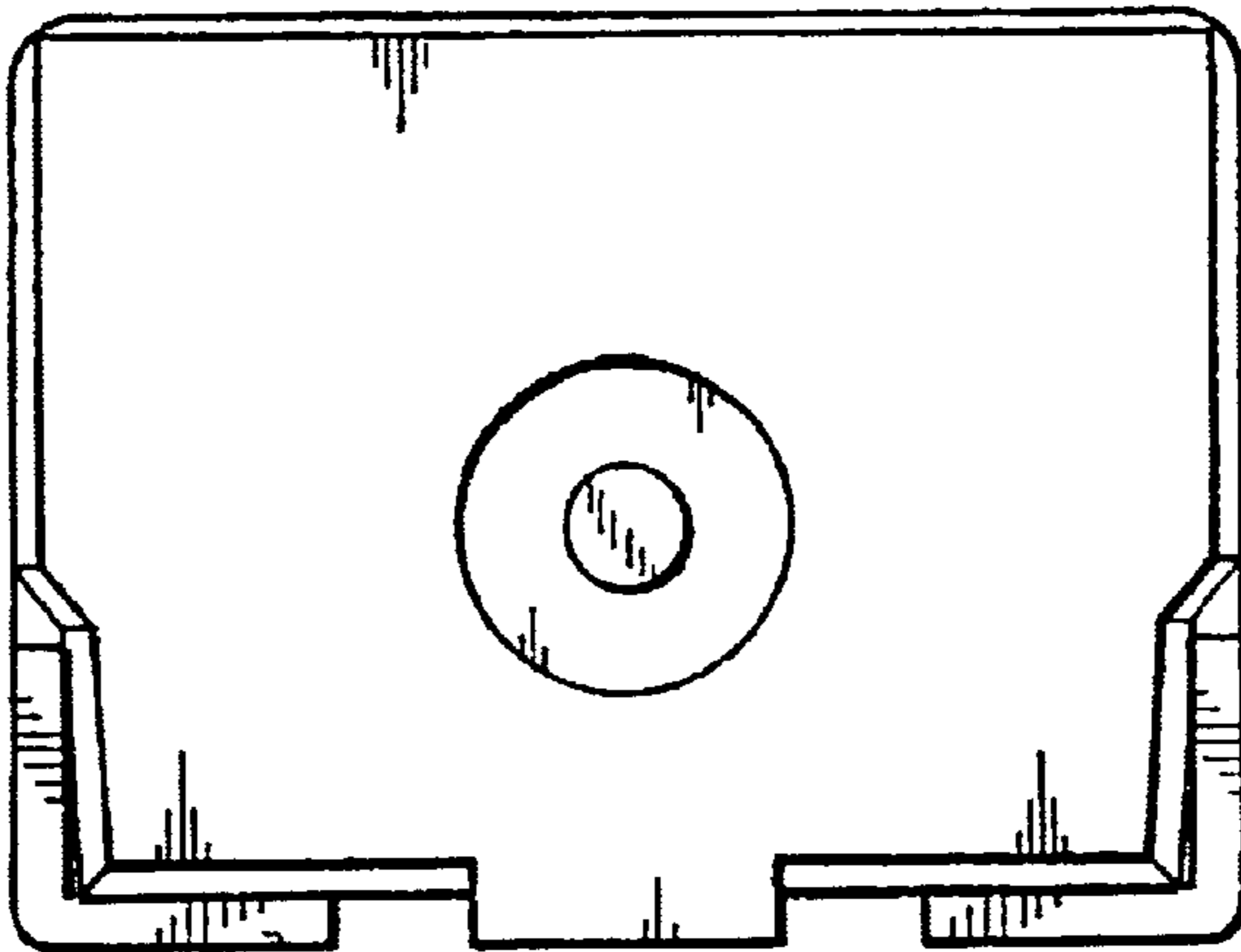


Fig. 3



Fig. 4

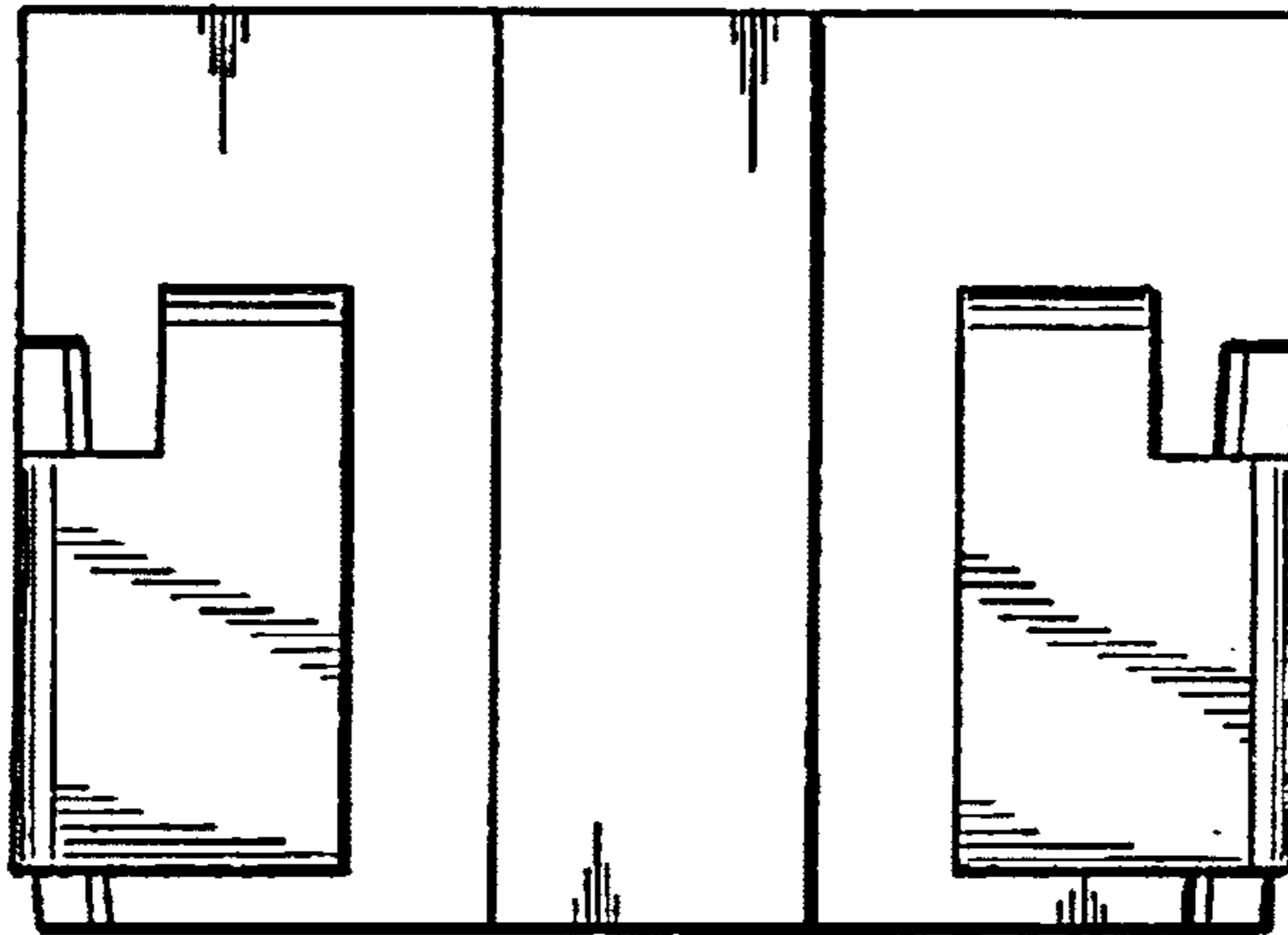


Fig. 5

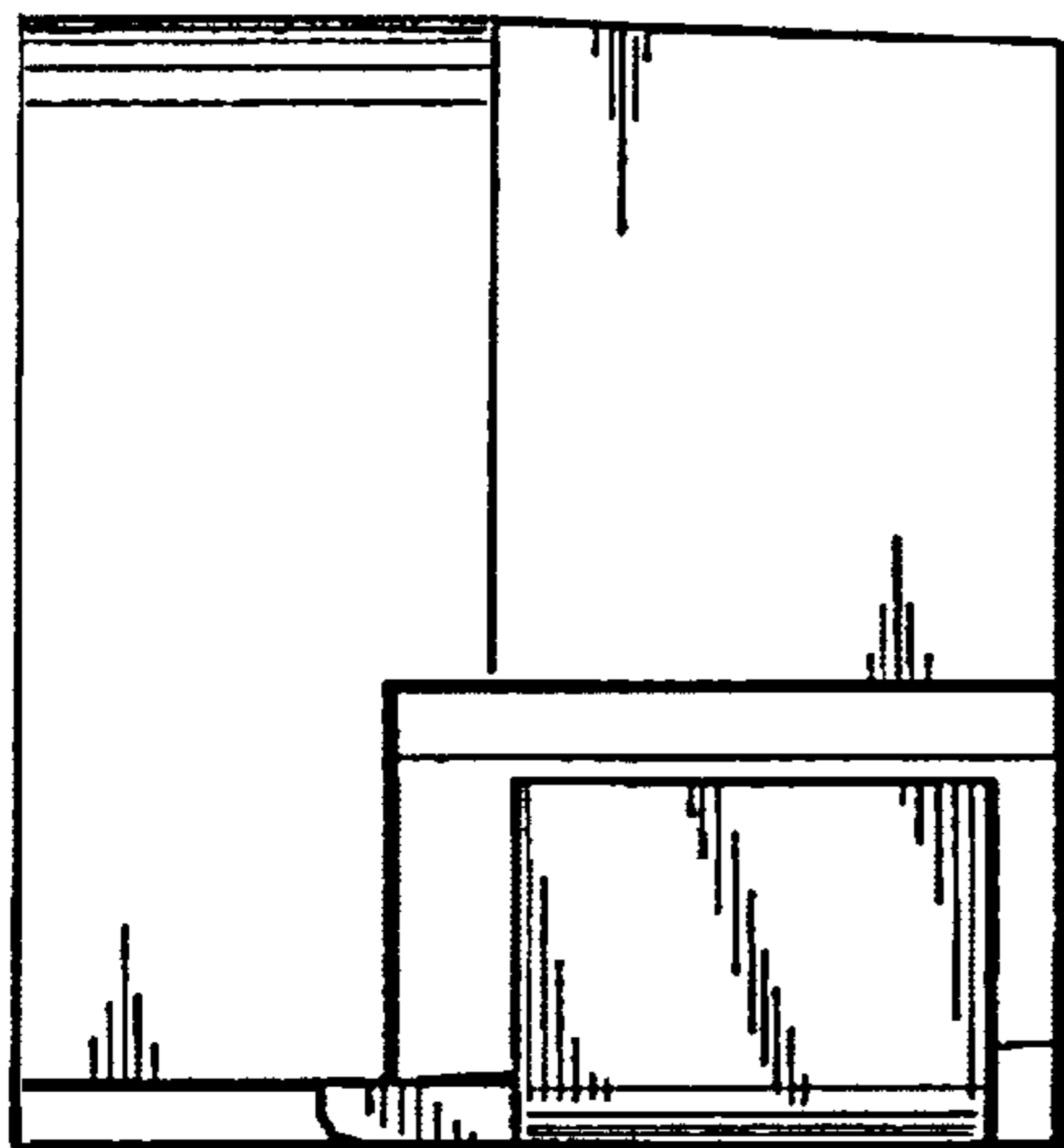


Fig. 6

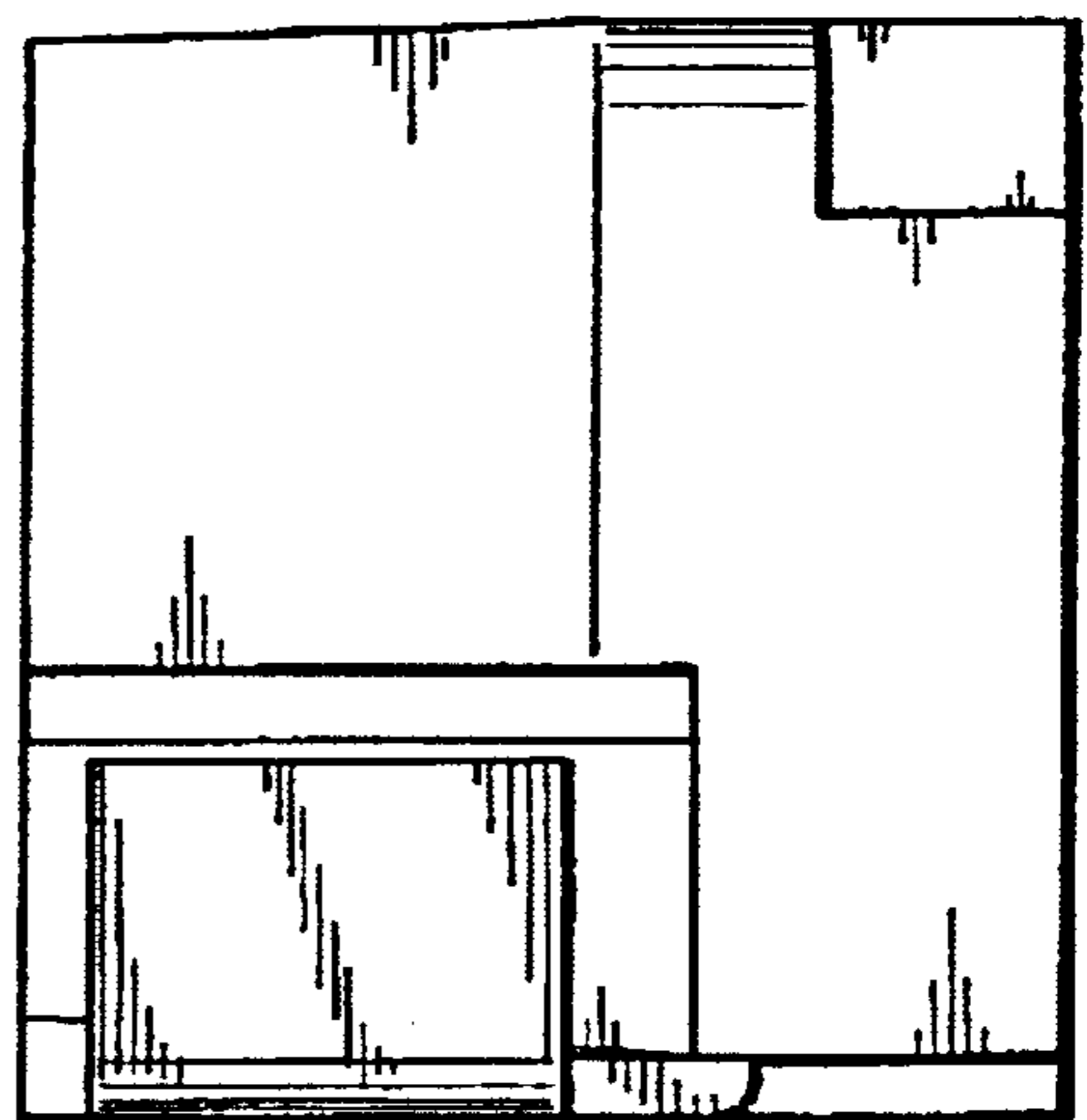


Fig. 7

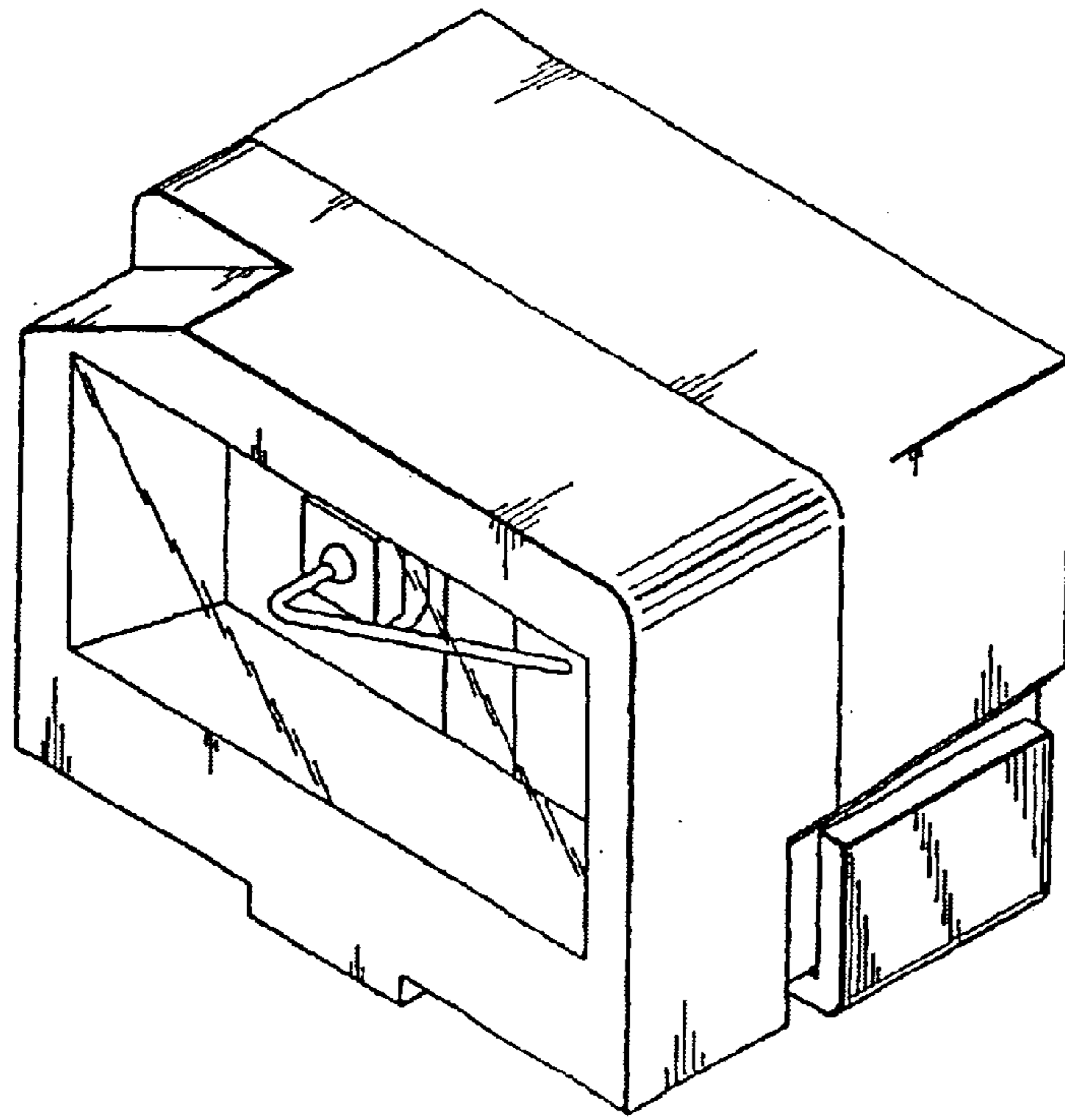


Fig. 8

