

US00D490778S

(12) **United States Design Patent**
Inagaki et al.

(10) **Patent No.: US D490,778 S**
(45) **Date of Patent: ** Jun. 1, 2004**

(54) **PHOTOELECTRIC CONVERSION CONNECTOR**

WO WO 02/39167 A1 5/2002

OTHER PUBLICATIONS

(75) Inventors: **Shuichiro Inagaki**, Tokyo (JP);
Teruhisa Tabuchi, Tokyo (JP);
Nobuyuki Tanaka, Tokyo (JP);
Yoshimitsu Arai, Tokyo (JP); **Yukio Komine**, Tokyo (JP); **Nobuo Ishimine**, Tokyo (JP); **Mitsuho Tanaka**, Tokyo (JP)

“RJ45 type optical active connector”, pp. 23 and 24, *Techno-Stream* vol. 24, May 2001.

“Development of an optical active connector for LAN”, 2002.

“Connector typ media converter for LAN”, pp. 74 to 77, *NTT Technology Journal* 2002.6, 2002.

* cited by examiner

(73) Assignees: **NTT Advanced Technology Corporation**, Tokyo (JP); **Nippon Telegraph and Telephone Corporation**, Tokyo (JP)

Primary Examiner—Joel Sincavage

(74) *Attorney, Agent, or Firm*—Venable LLP; Michael A. Sartori; Stuart I. Smith

(**) Term: **14 Years**

(57) **CLAIM**

We claim the ornamental design for an photoelectric conversion connector, as shown and described.

(21) Appl. No.: **29/171,828**

DESCRIPTION

(22) Filed: **Dec. 2, 2002**

(51) **LOC (7) Cl.** **13-03**

(52) **U.S. Cl.** **D13/147**

(58) **Field of Search** D13/147; 385/88, 385/89, 92; 359/152, 154

FIG. 1 is a front view a photoelectric conversion showing the new design;

FIG. 2 is a rear view thereof;

FIG. 3 is a plan view thereof;

FIG. 4 is a bottom view thereof;

FIG. 5 is a right side view thereof;

FIG. 6 is a left side view thereof;

FIG. 7 is a top perspective view illustrating the design connected to cables but not a port;

FIG. 8 is a top perspective view illustrating the design connected to cables and a port;

FIG. 9 is a bottom perspective view illustrating the design connected to cables but not a port; and,

FIG. 10 is a bottom perspective view illustrating the design connected to cables and a port.

The broken lines in FIGS. 7–10 are included for the purpose of illustrating environmental structure only and form no part of the claimed design.

(56) **References Cited**

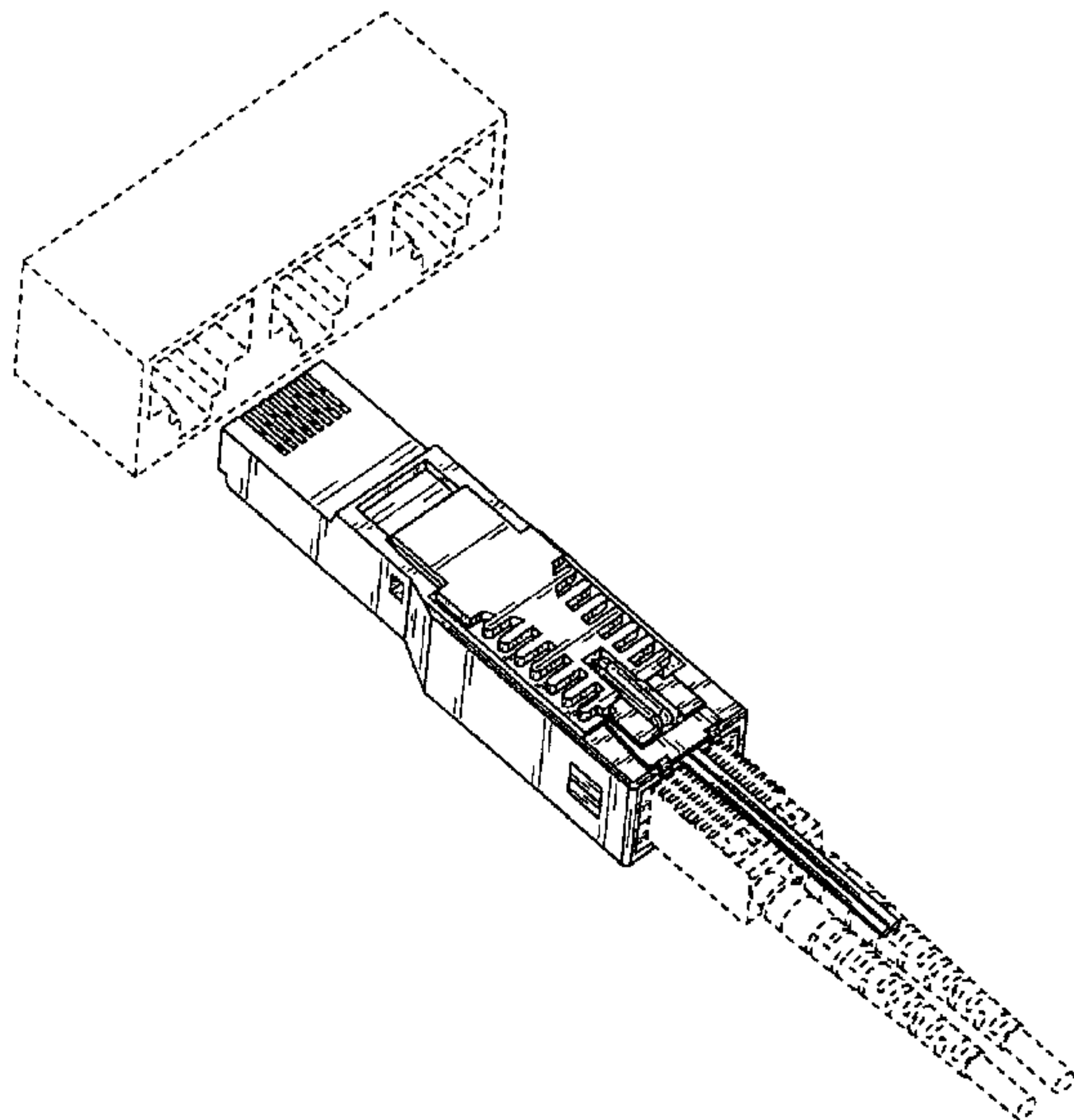
U.S. PATENT DOCUMENTS

D360,403	S	*	7/1995	Jaag et al.	D13/147
5,727,962	A	*	3/1998	Caveney et al.	439/344
5,896,480	A	*	4/1999	Scharf et al.	385/88
6,227,720	B1	*	5/2001	Isaksson	385/89 X
6,350,063	B1	*	2/2002	Gilliland et al.	385/88
6,352,375	B1	*	3/2002	Shimoji et al.	385/92
D472,217	S	*	3/2003	Hsiao	D13/147
2002/0067528	A1	*	6/2002	Loddoch	359/152

FOREIGN PATENT DOCUMENTS

JP	1144138	6/2002
JP	2002-202441 A	7/2002

1 Claim, 10 Drawing Sheets



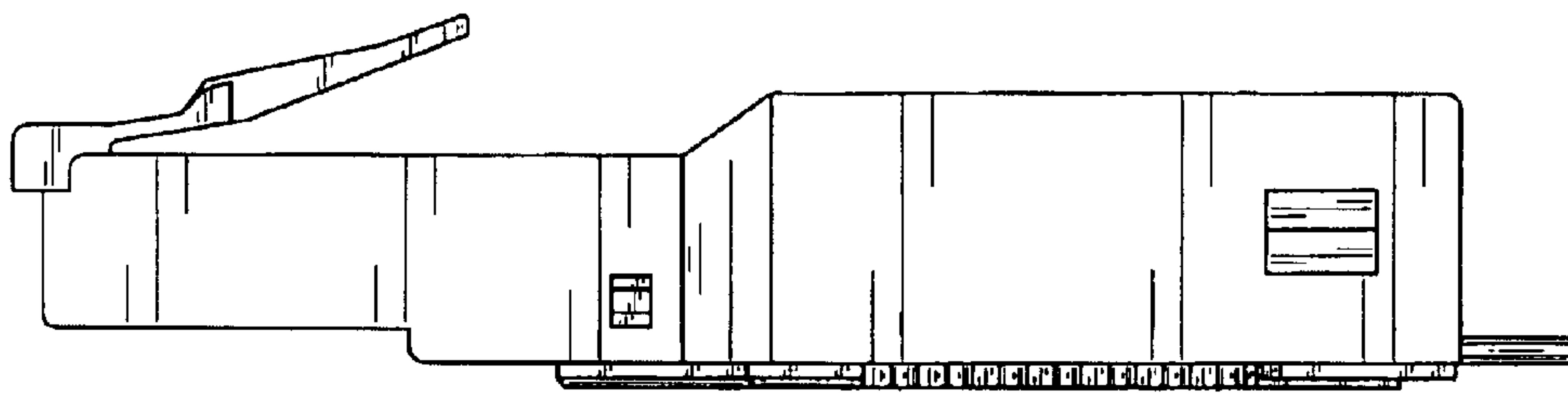


FIG. 1

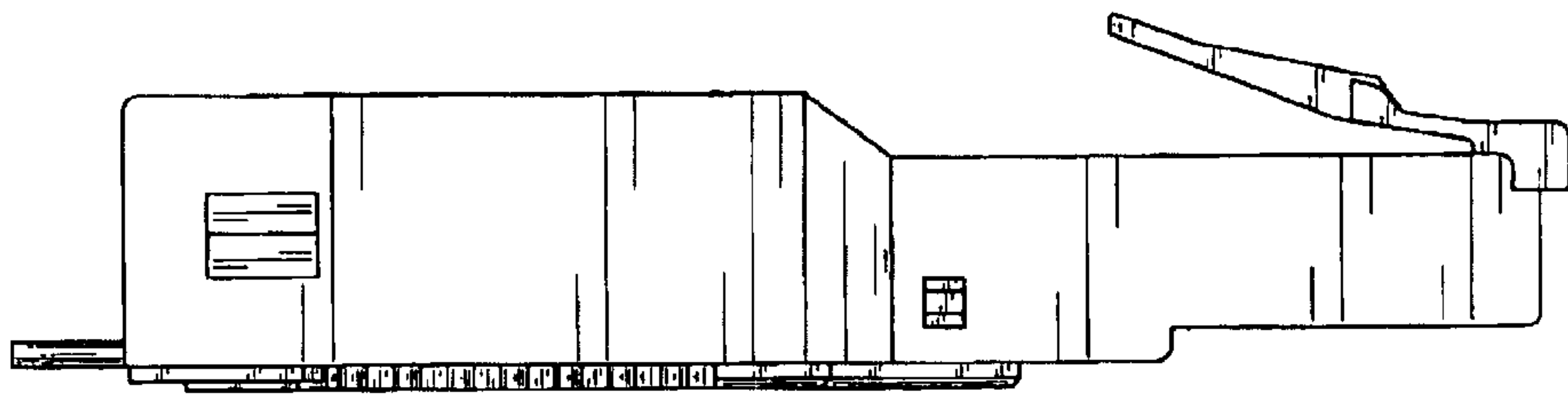


FIG. 2

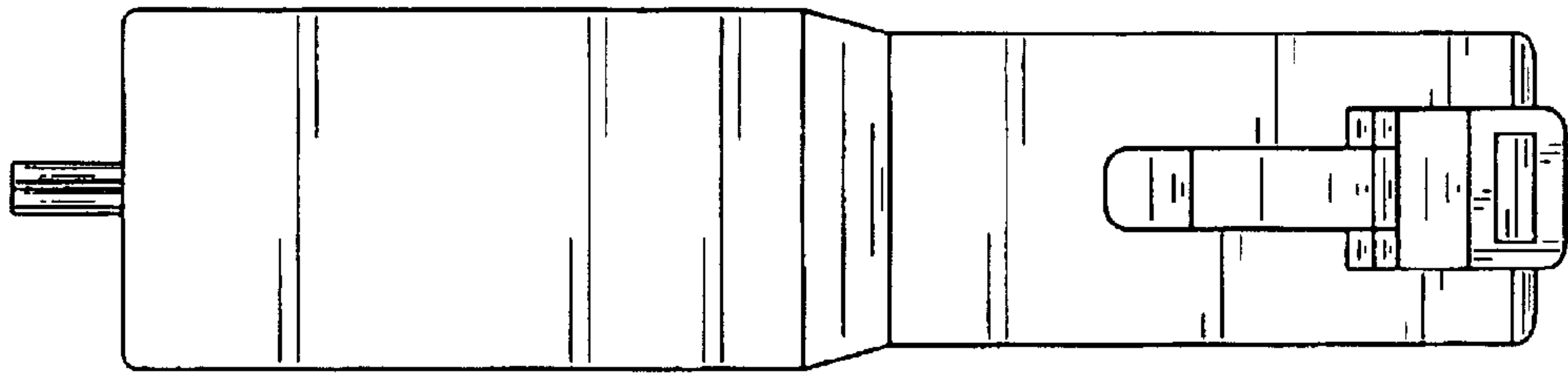


FIG. 3

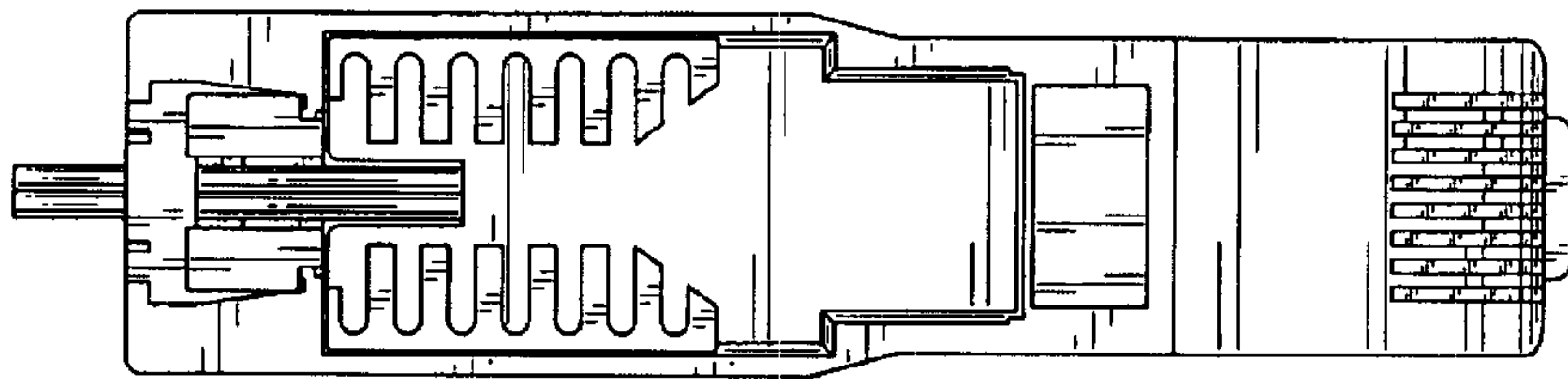


FIG. 4

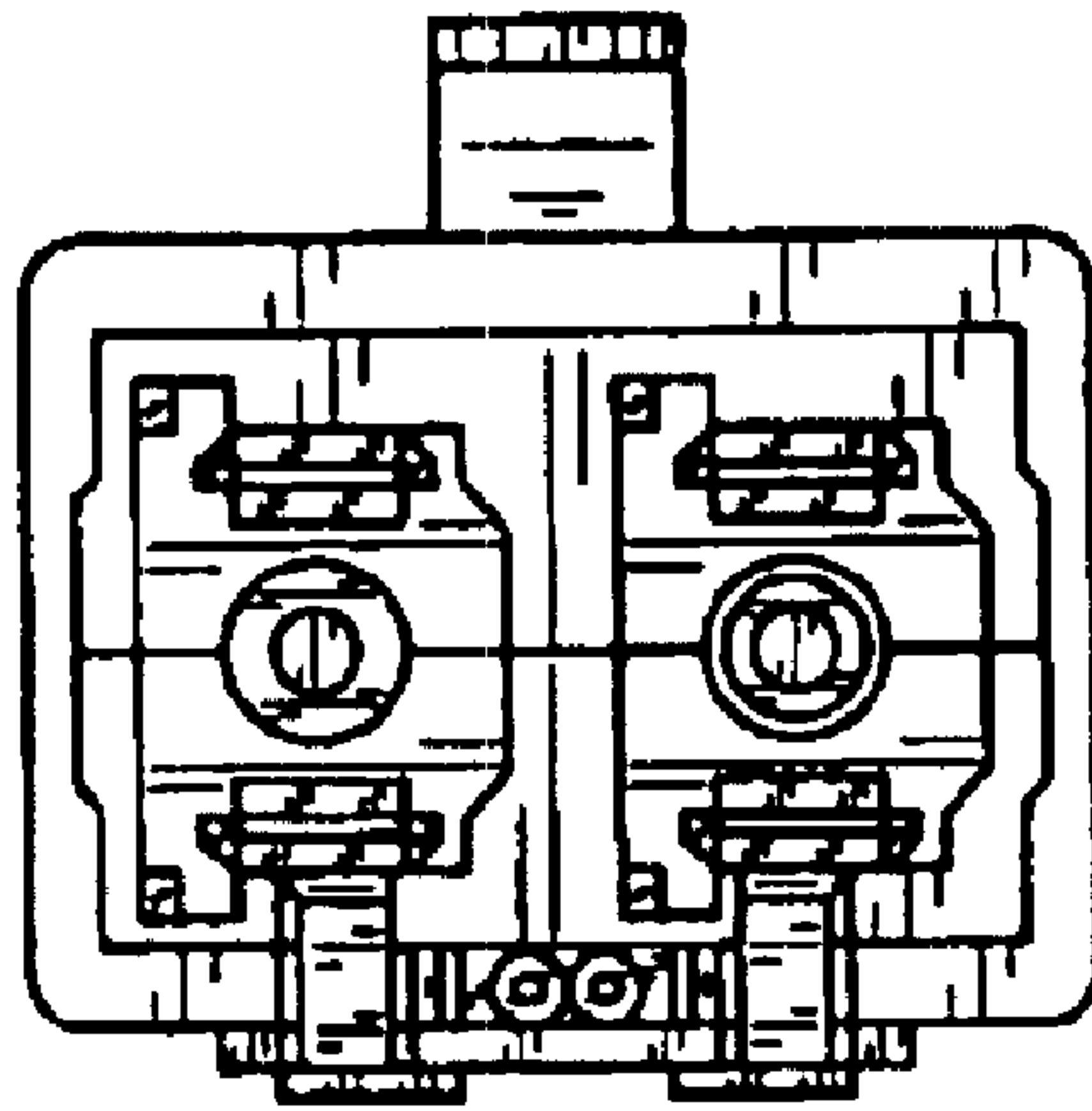


FIG. 5

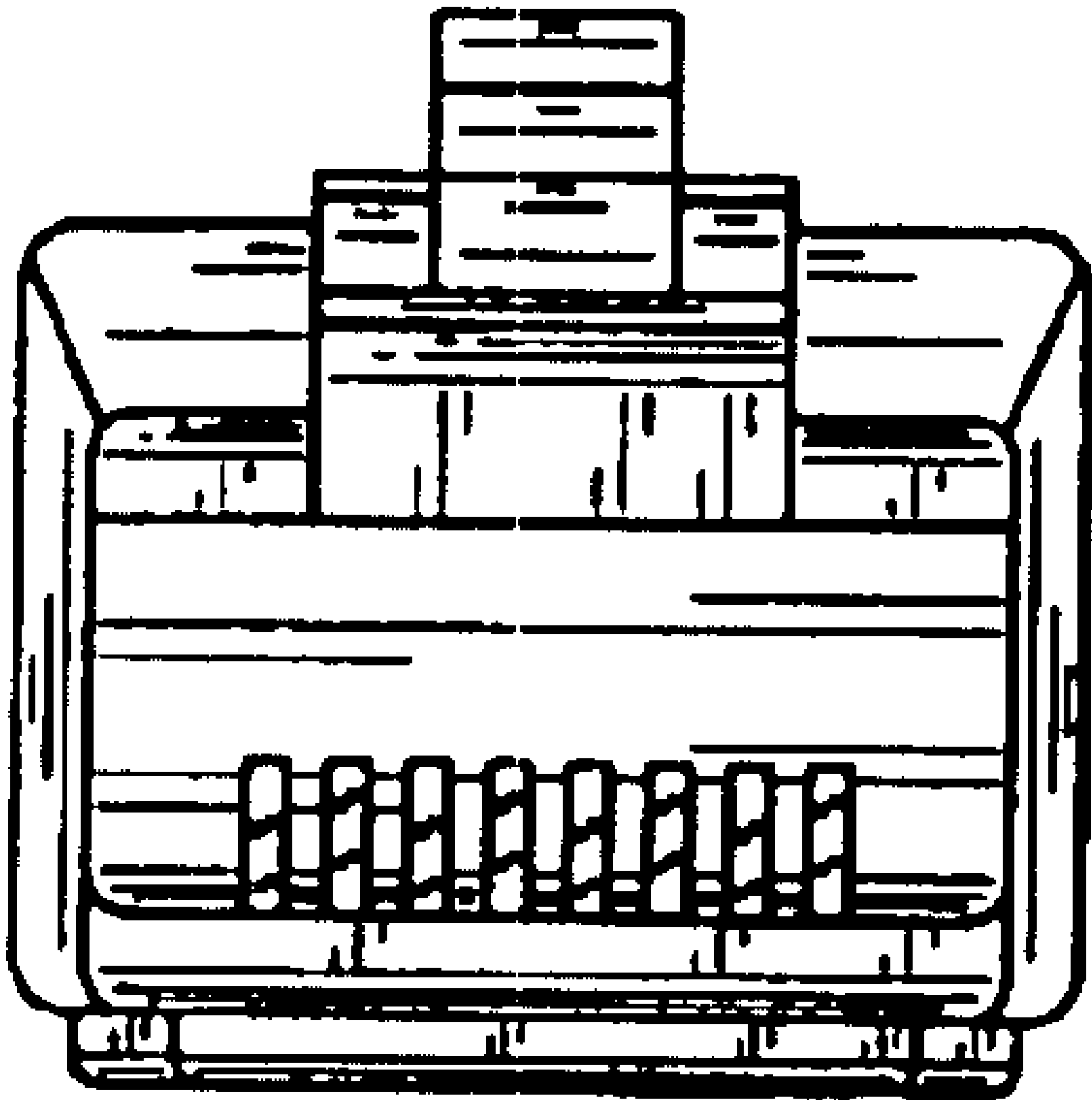


FIG. 6

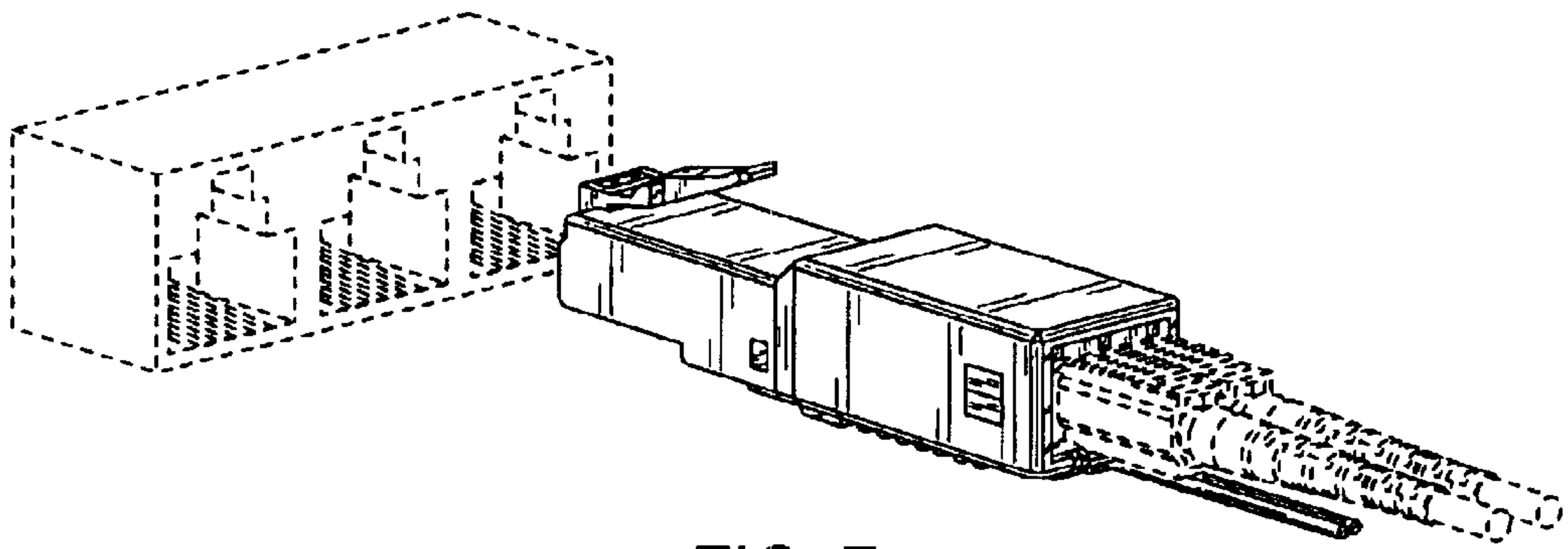


FIG. 7

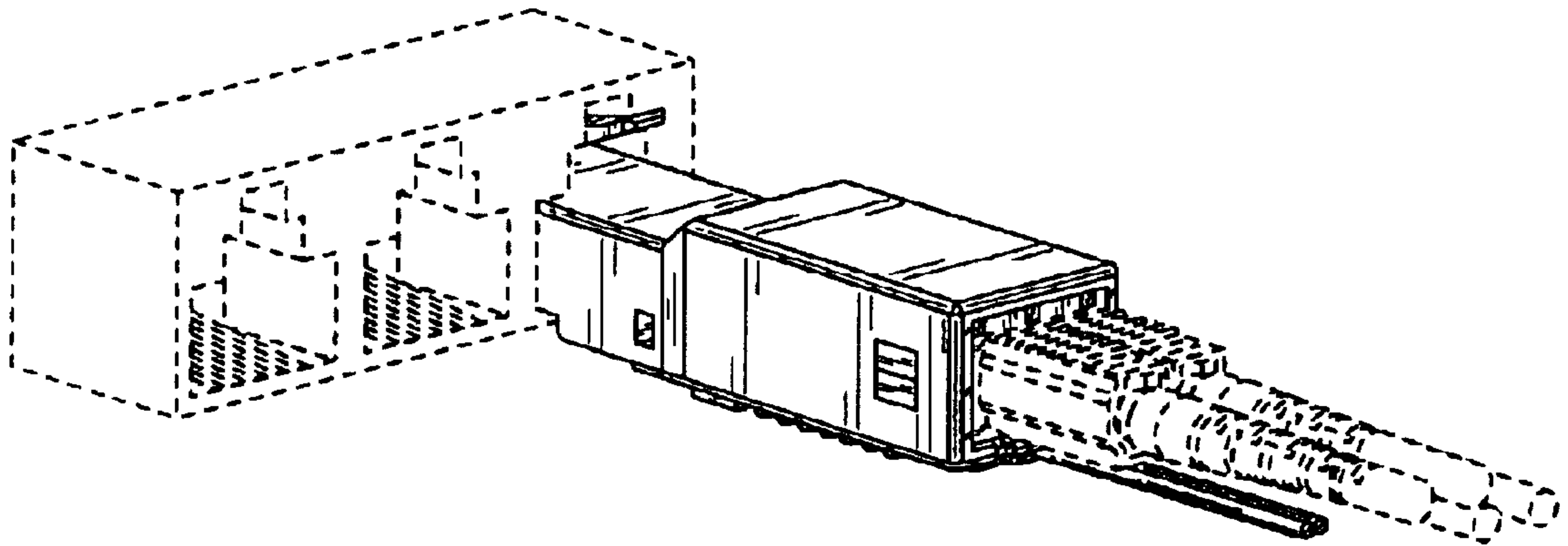


FIG. 8

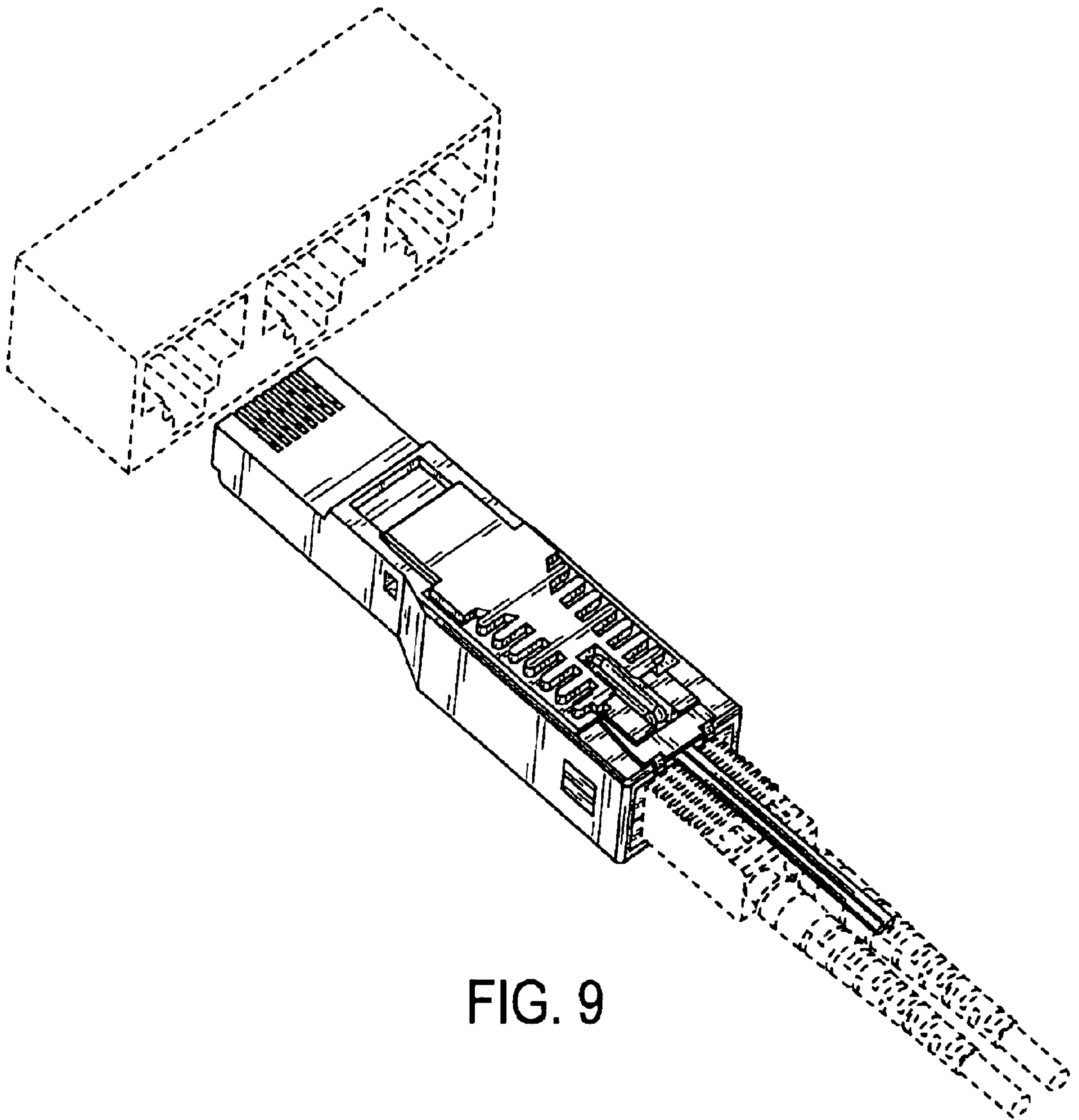


FIG. 9

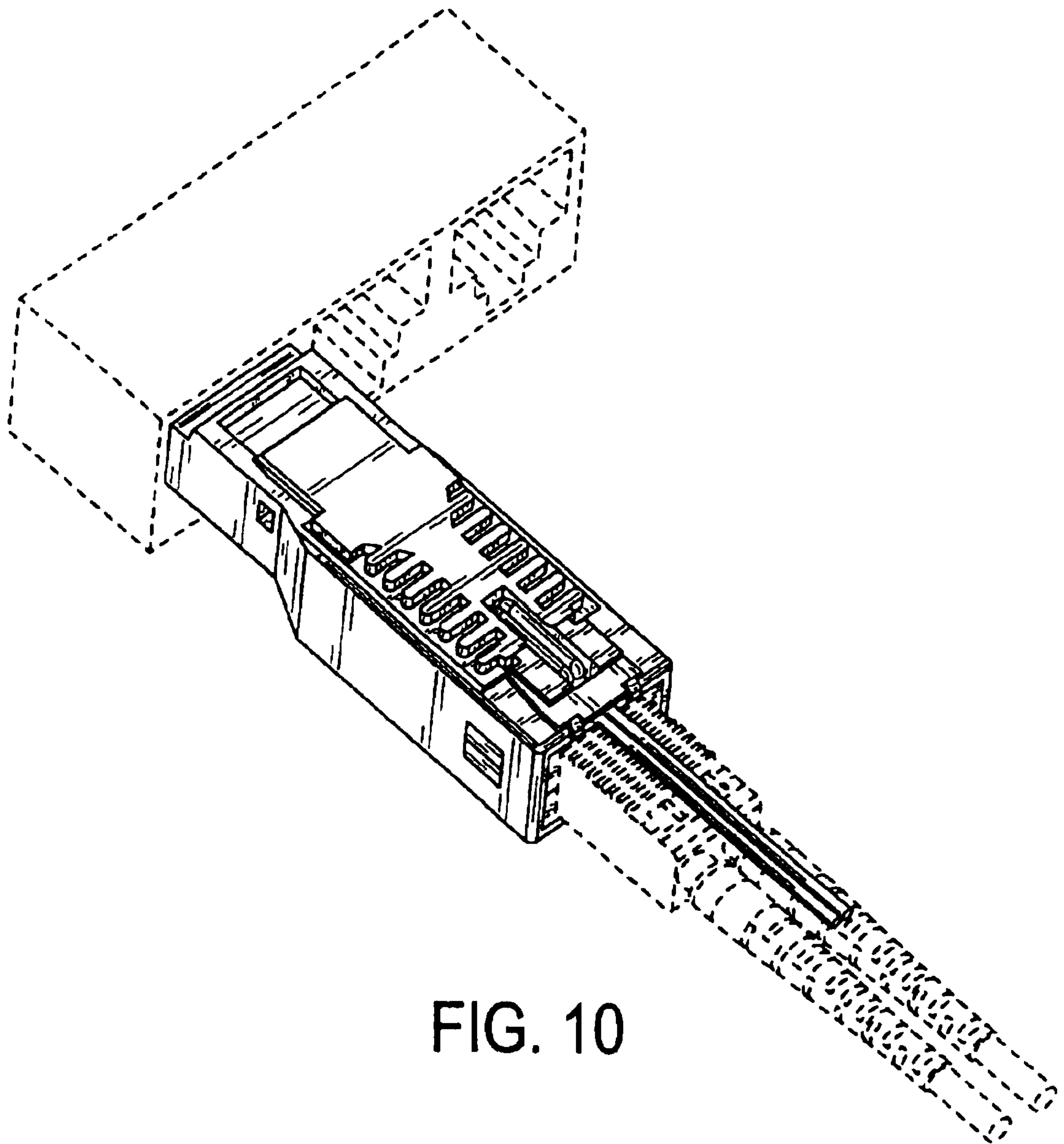


FIG. 10