



US00D490776S

(12) **United States Design Patent**
Hsiao

(10) **Patent No.:** **US D490,776 S**

(45) **Date of Patent:** **** Jun. 1, 2004**

(54) **EXTENSION CORD ASSEMBLY**

(76) **Inventor:** **Feng Shen Hsiao**, 10th Fl., No. 5, Sec. 1, Tun Hua S. Rd., Taipei (TW)

(**) **Term:** **14 Years**

(21) **Appl. No.:** **29/192,148**

(22) **Filed:** **Oct. 21, 2003**

(51) **LOC (7) Cl.** **13-03**

(52) **U.S. Cl.** **D13/139.7**

(58) **Field of Search** D13/139.1, 139.4, D13/139.6, 139.7; 439/650-654, 501, 502

(56) **References Cited**

U.S. PATENT DOCUMENTS

5,457,600	A	*	10/1995	Campbell et al.	439/501
5,649,839	A	*	7/1997	Yu	439/650
D405,763	S	*	2/1999	Crane et al.	D13/139.4
5,899,761	A	*	5/1999	Crane et al.	439/654
6,023,031	A	*	2/2000	Chin-Kuan et al.	439/654
D424,518	S	*	5/2000	Chin-Kuan et al.	D13/123

D425,021	S	*	5/2000	Ko	D13/123
D434,374	S	*	11/2000	Ko	D13/123
D463,969	S	*	10/2002	Luu	D8/353

* cited by examiner

Primary Examiner—Joel Sincavage

(74) *Attorney, Agent, or Firm*—Bacon & Thomas, PLLC

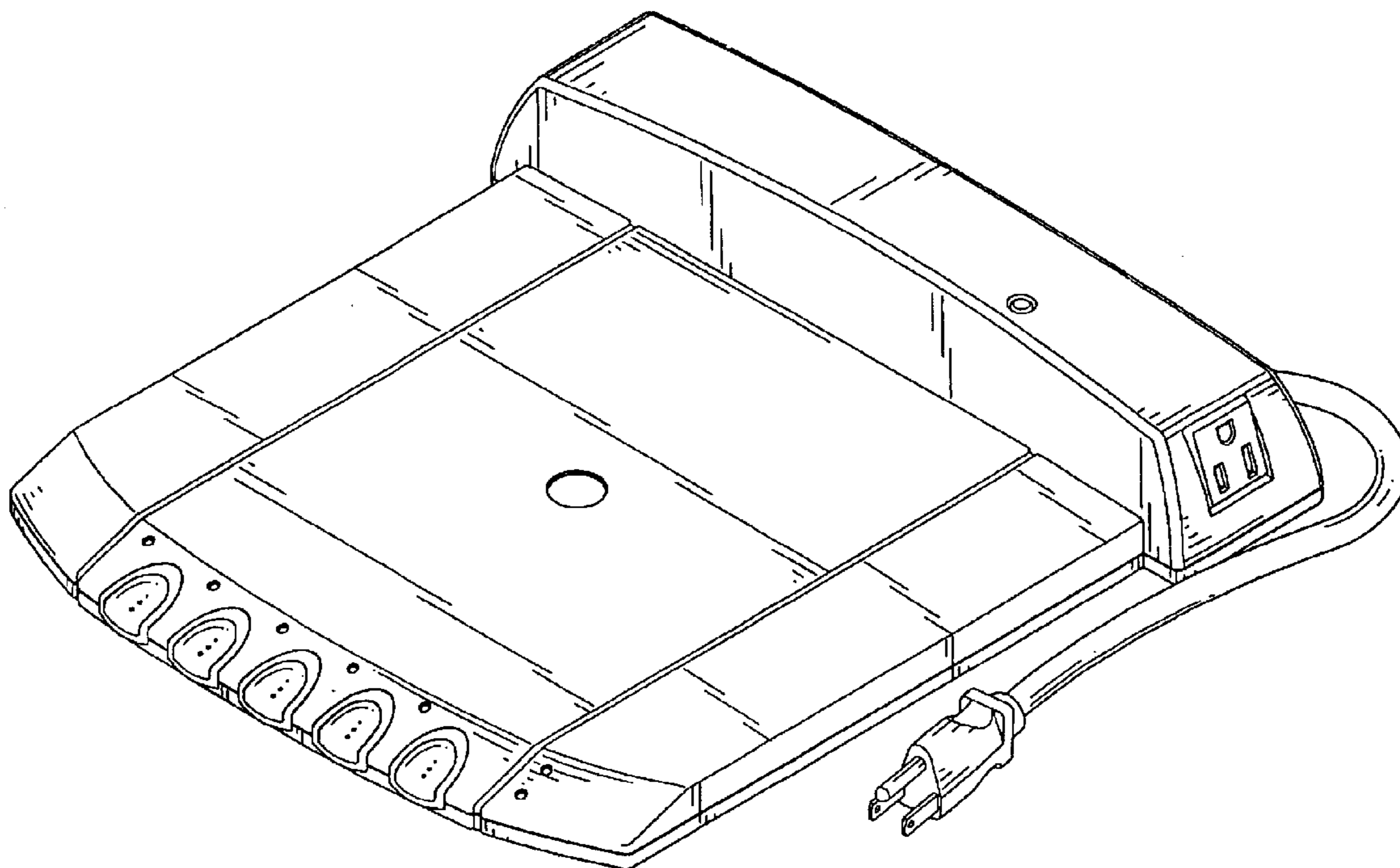
(57) **CLAIM**

The ornamental design for a extension cord assembly, as shown.

DESCRIPTION

FIG. 1 is a perspective view of a extension cord assembly, showing my new design;
FIG. 2 is a front elevational view thereof;
FIG. 3 is a rear elevational view thereof;
FIG. 4 is a left elevational view thereof;
FIG. 5 is a right elevational view thereof;
FIG. 6 is top plan view thereof; and,
FIG. 7 is a bottom plan view thereof.

1 Claim, 5 Drawing Sheets



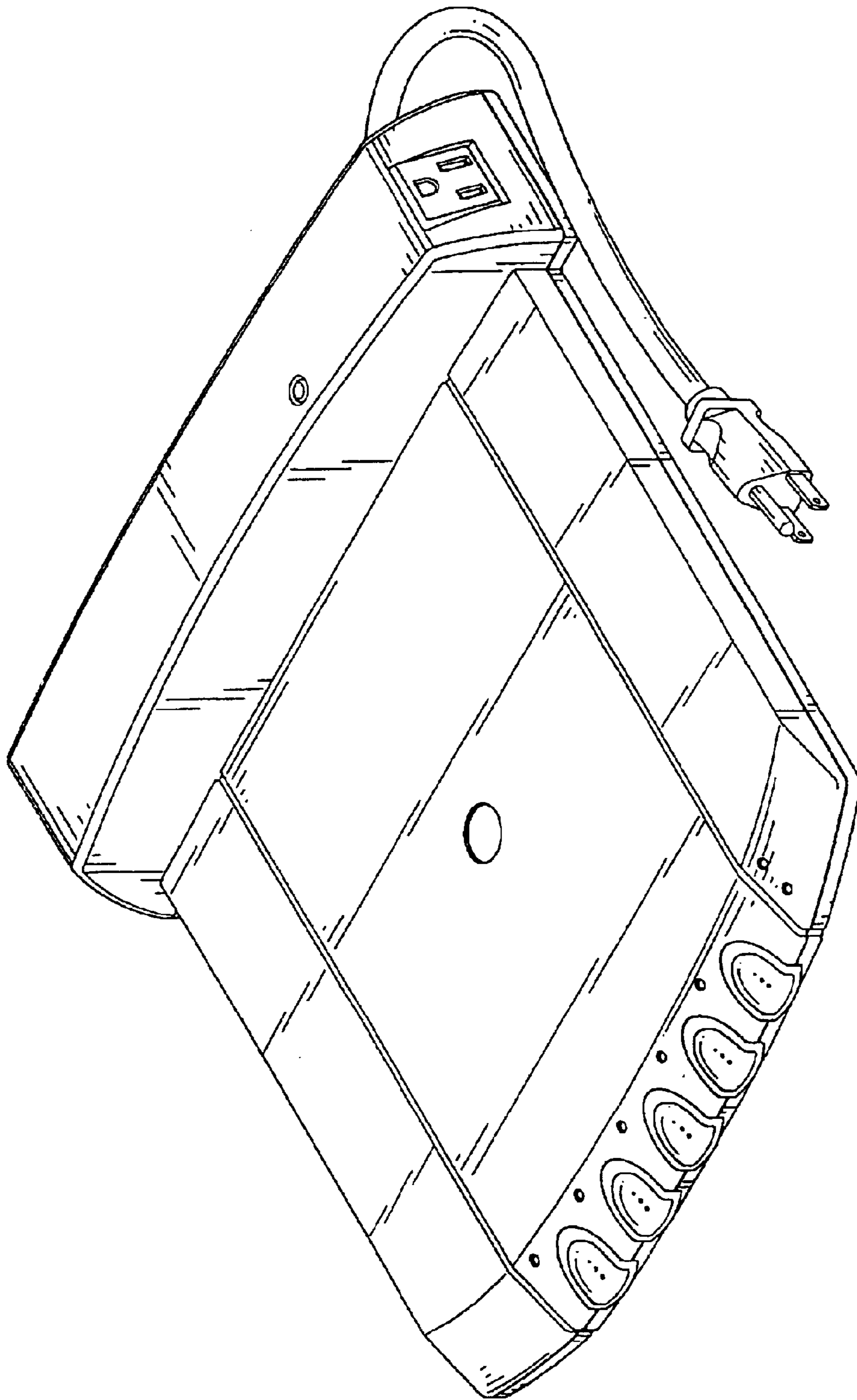


FIG. 1

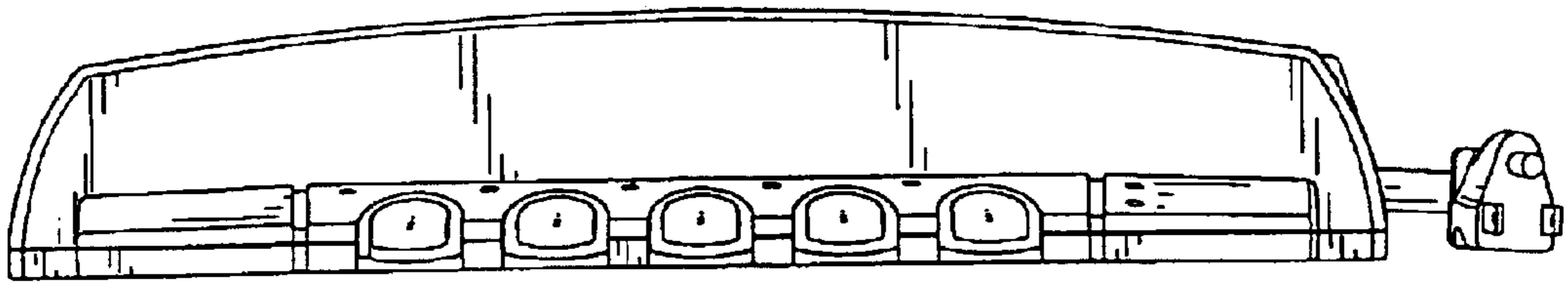


FIG. 2

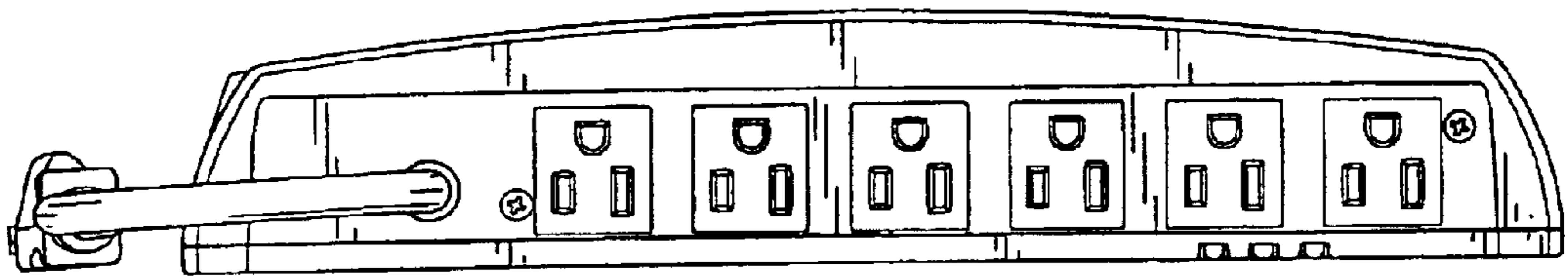


FIG. 3

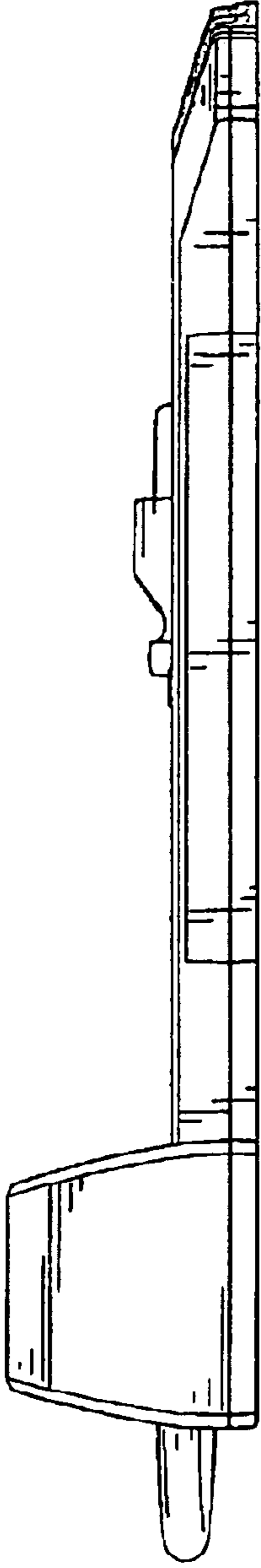


FIG. 4

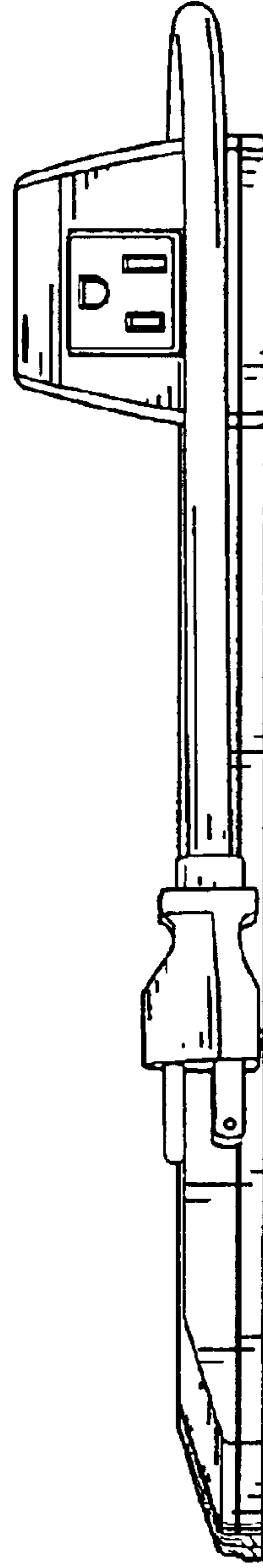


FIG. 5

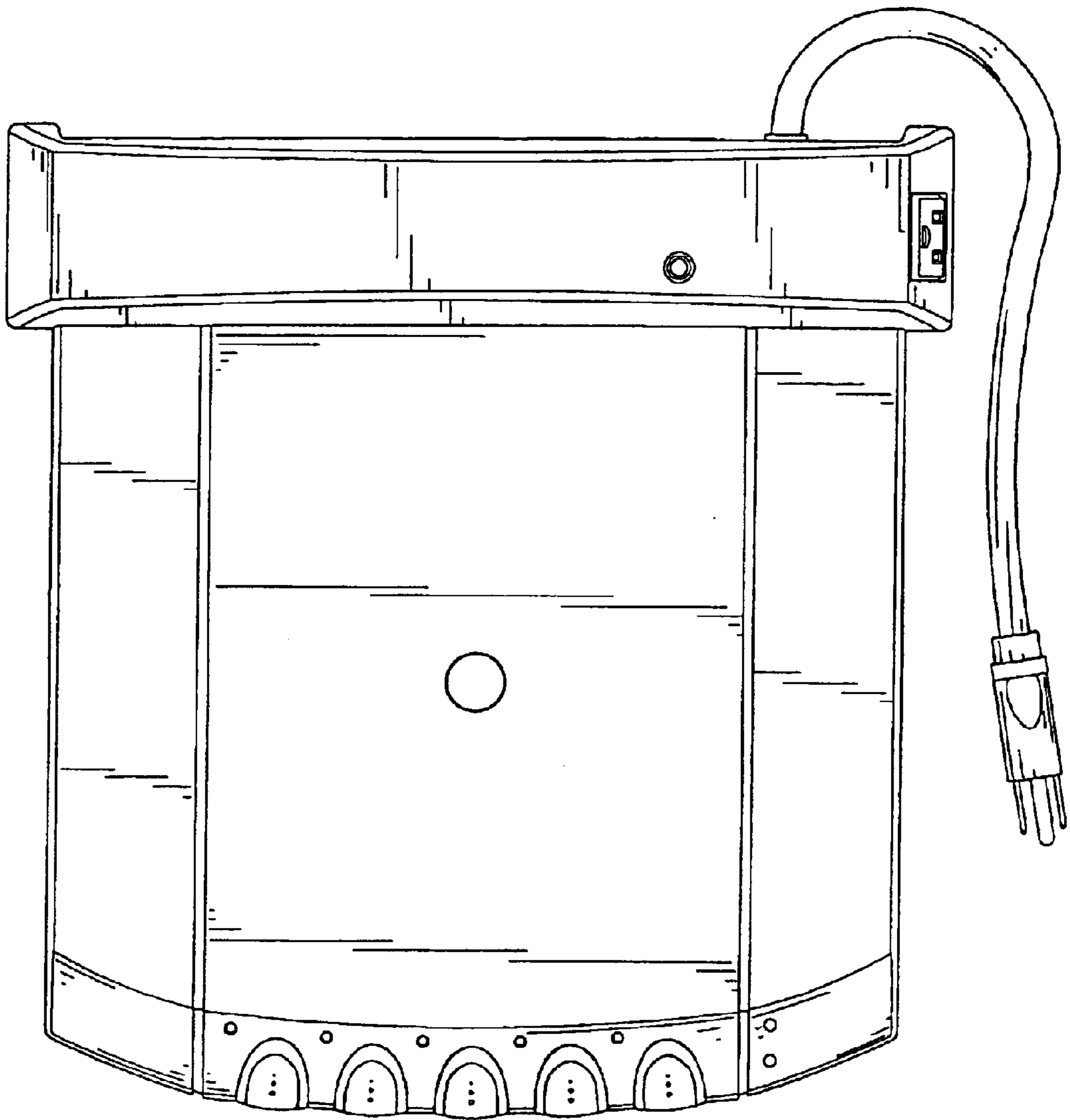


FIG. 6

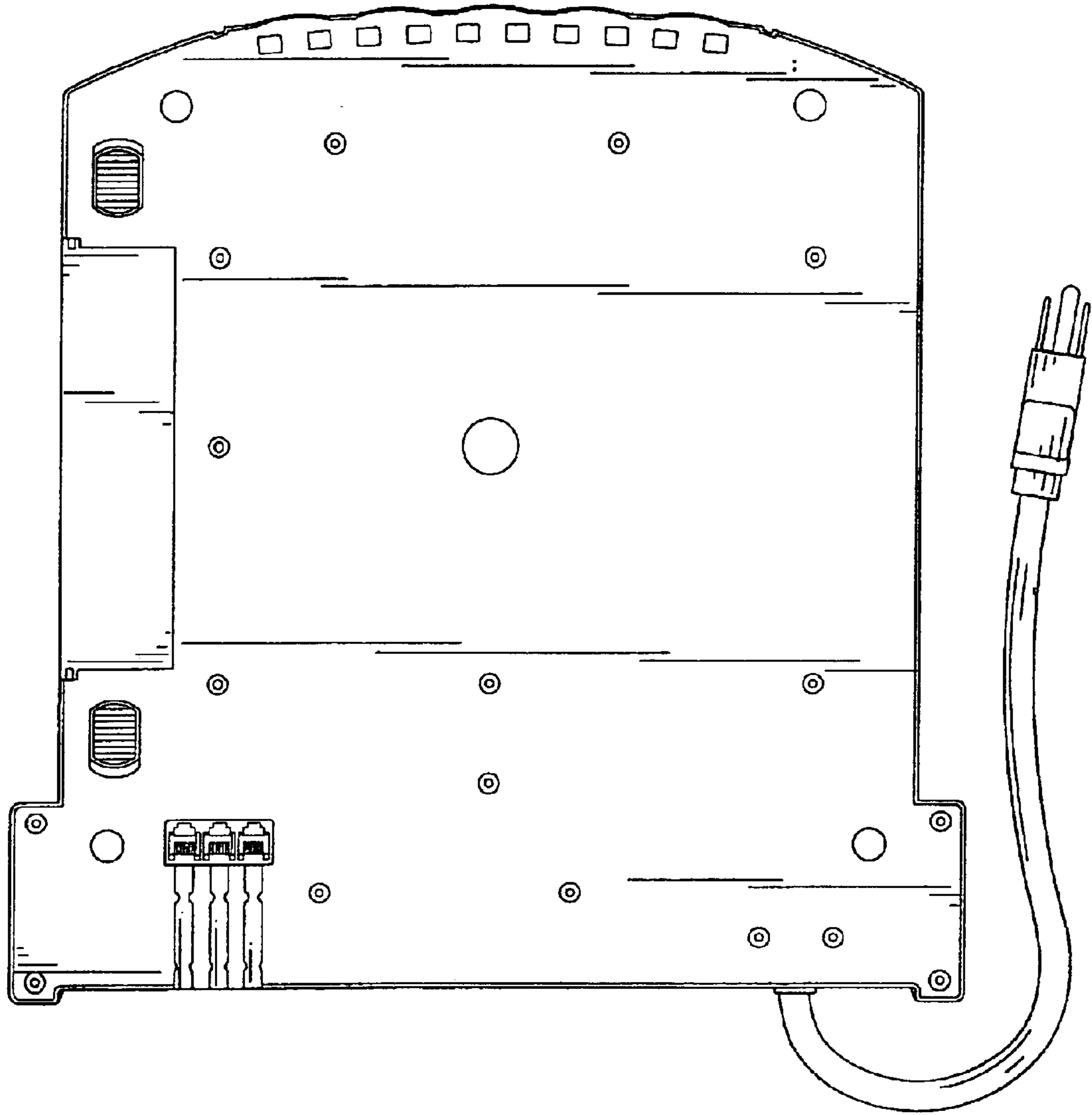


FIG. 7