



US00D490772S

(12) **United States Design Patent**  
**Chu**

(10) **Patent No.:** **US D490,772 S**

(45) **Date of Patent:** **\*\* Jun. 1, 2004**

(54) **VIDEO CAMERA BATTERY CASE**

(76) Inventor: **Chun Bong Chu**, 570 Alden Road Unit  
17, Markham, Ontario (CA), L3R 8N5

(\*\*) Term: **14 Years**

(21) Appl. No.: **29/187,878**

(22) Filed: **Aug. 11, 2003**

(51) **LOC (7) Cl.** ..... **13-02**

(52) **U.S. Cl.** ..... **D13/103**

(58) **Field of Search** ..... D13/107, 108;  
320/107-116

(56) **References Cited**

**U.S. PATENT DOCUMENTS**

D337,984 S	*	8/1993	Lindahl	.....	D13/103
D360,185 S	*	7/1995	Kobayashi	.....	D13/103
D405,754 S	*	2/1999	Barkley et al.	.....	D13/103
D423,449 S	*	4/2000	Naskali	.....	D13/103
D434,722 S	*	12/2000	Zolyomi et al.	.....	D13/103
D476,618 S	*	7/2003	Wong et al.	.....	D13/103
6,605,923 B1	*	8/2003	Kellogg	.....	320/112
6,617,063 B1	*	9/2003	Ohnishi	.....	429/7
D480,355 S	*	10/2003	Pepin et al.	.....	D13/103

\* cited by examiner

*Primary Examiner*—Joel Sincavage

(74) *Attorney, Agent, or Firm*—David W. Wong

(57) **CLAIM**

The ornamental design for a video camera battery case, as shown and described.

**DESCRIPTION**

FIG. 1 is a top, right side and end perspective view of the case with a short slanted top edge cut off located at a right corner showing my new design;

FIG. 2 is a front elevation view thereof;

FIG. 3 is a rear elevation view thereof;

FIG. 4 is a right side elevation view thereof;

FIG. 5 is a left side elevation view thereof;

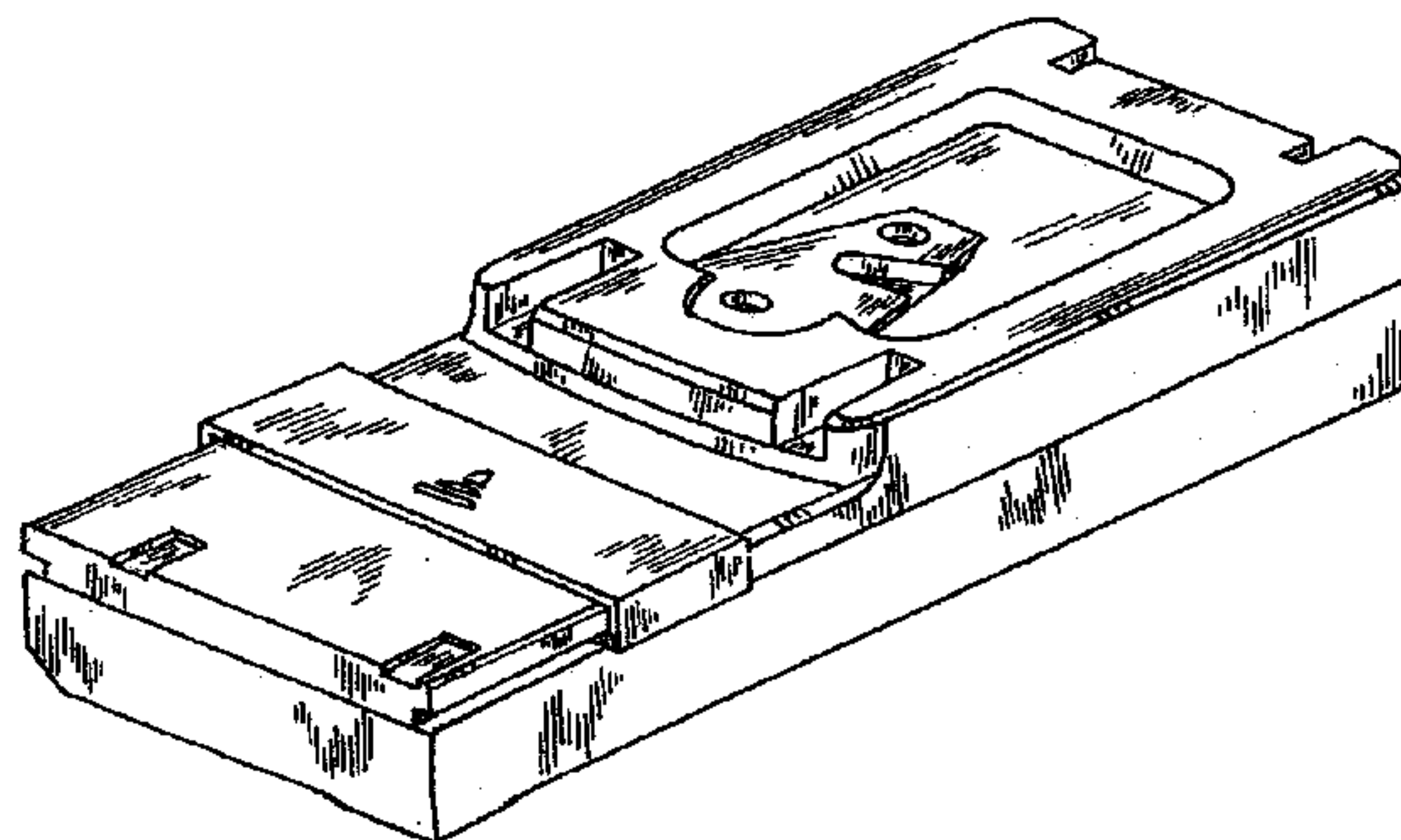
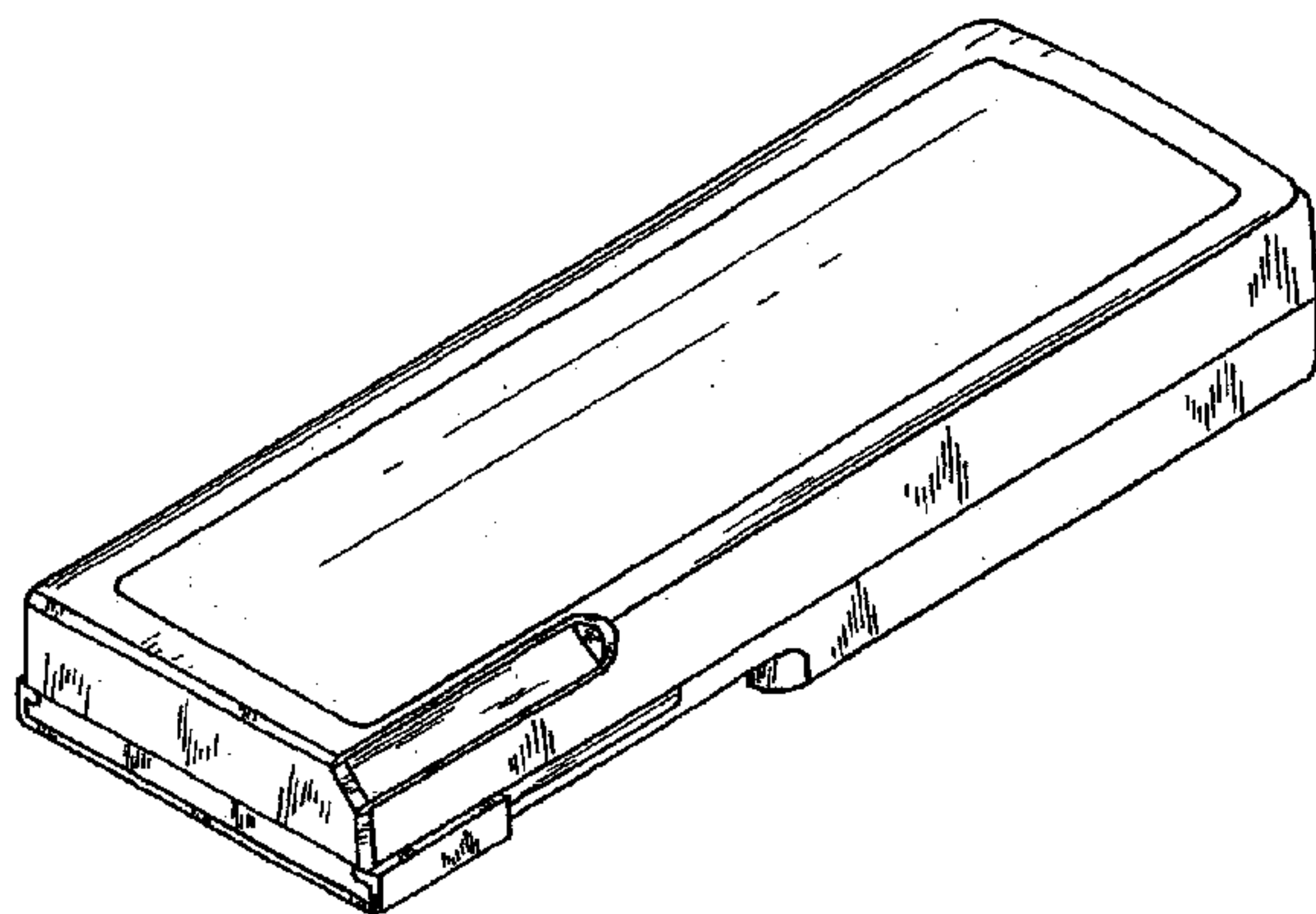
FIG. 6 is a top end elevation view thereof;

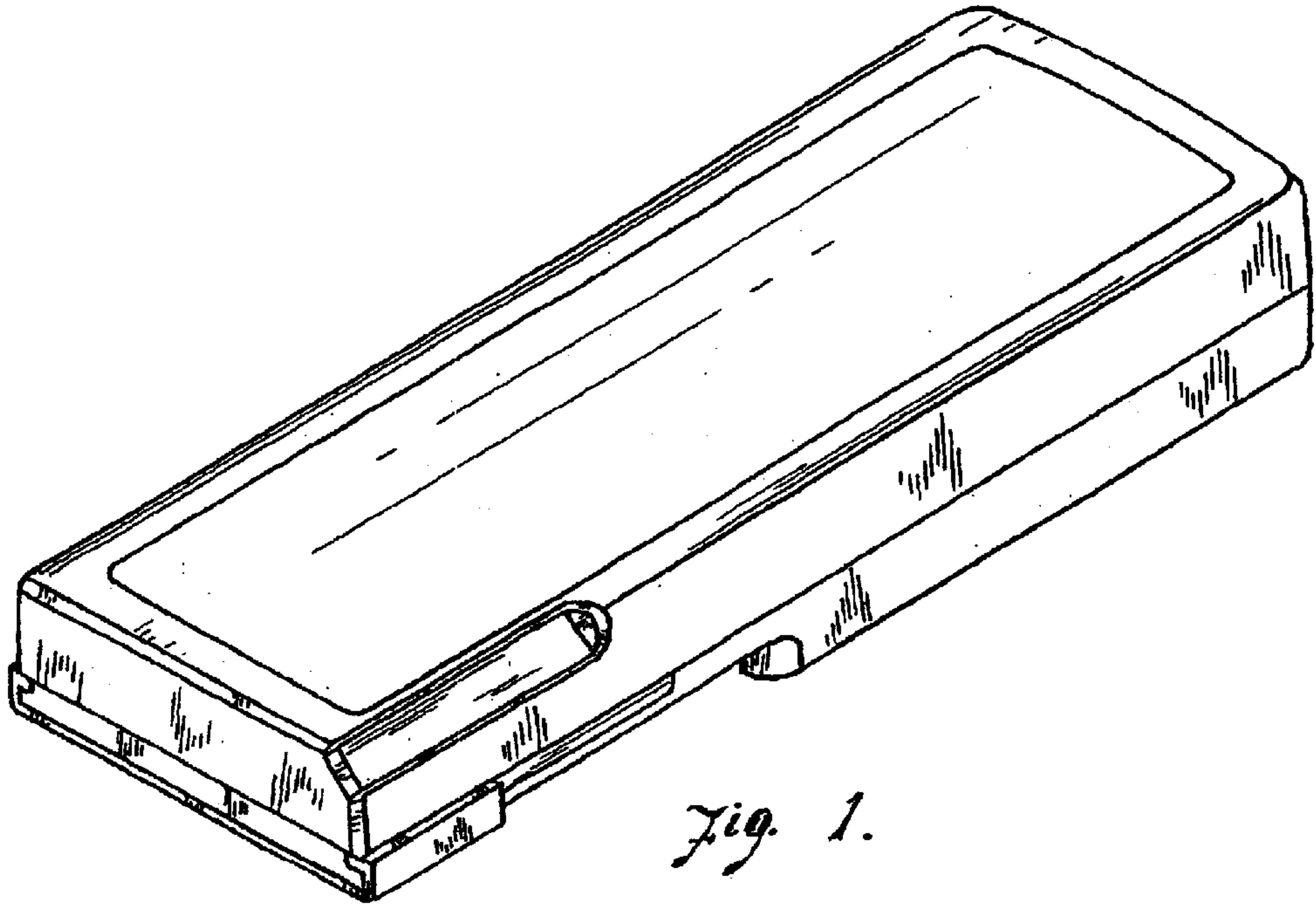
FIG. 7 is a bottom end elevation view thereof;

FIG. 8 is a bottom end, rear, and left side perspective view thereof showing the generally U-shaped slidable cover located over the electrical contact terminals adjacent to the bottom end thereof; and,

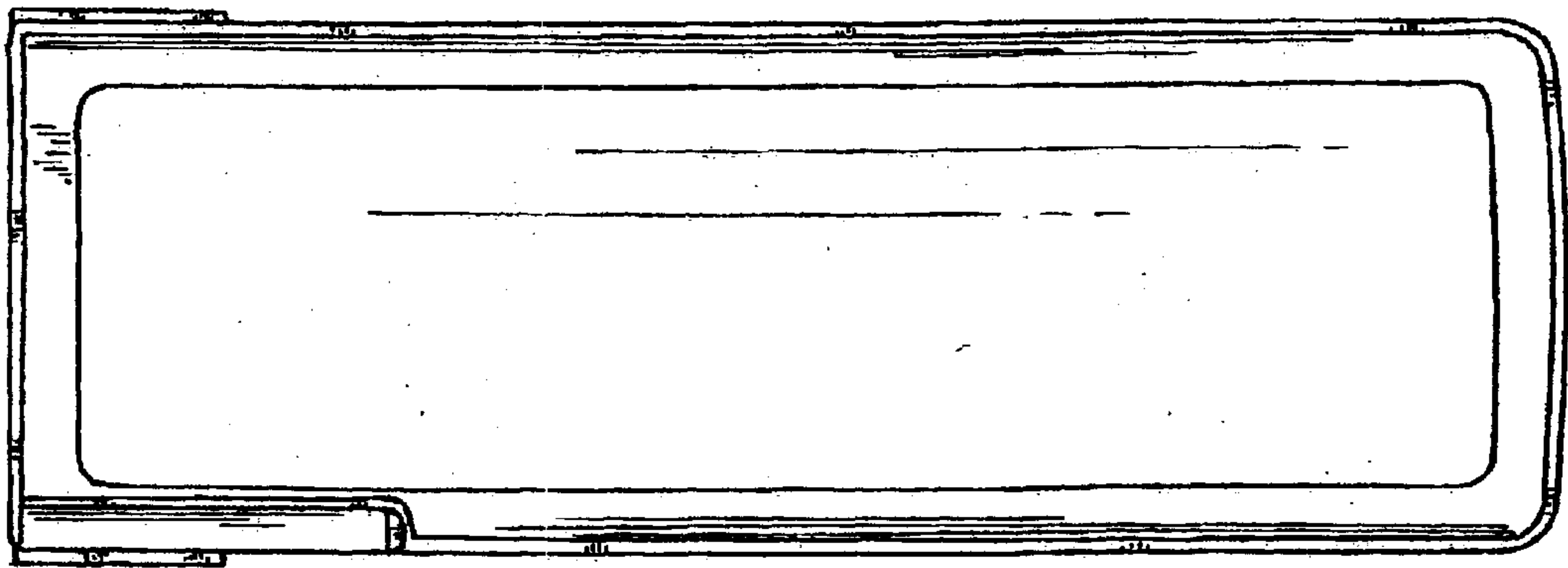
FIG. 9 is a bottom end, rear, and left side perspective view thereof showing the U-shaped slidable cover located in another position spaced from the bottom end to expose the electrical contact terminals.

**1 Claim, 3 Drawing Sheets**

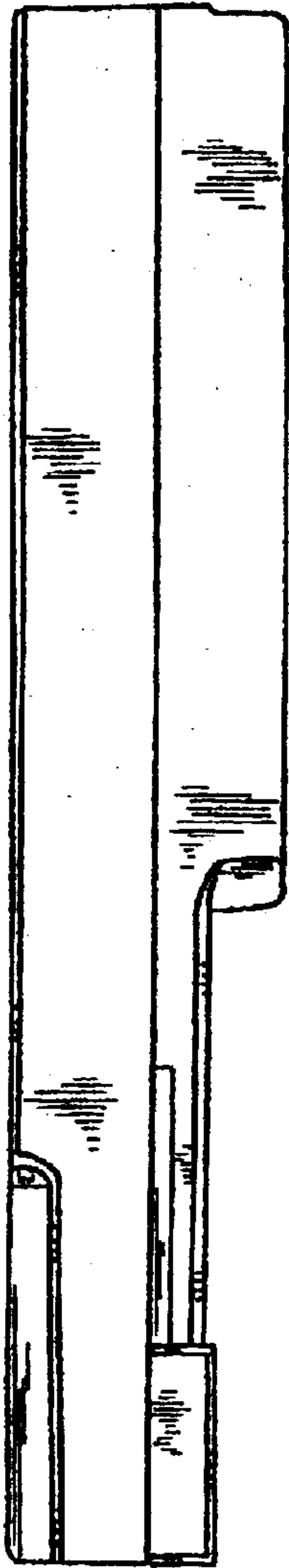




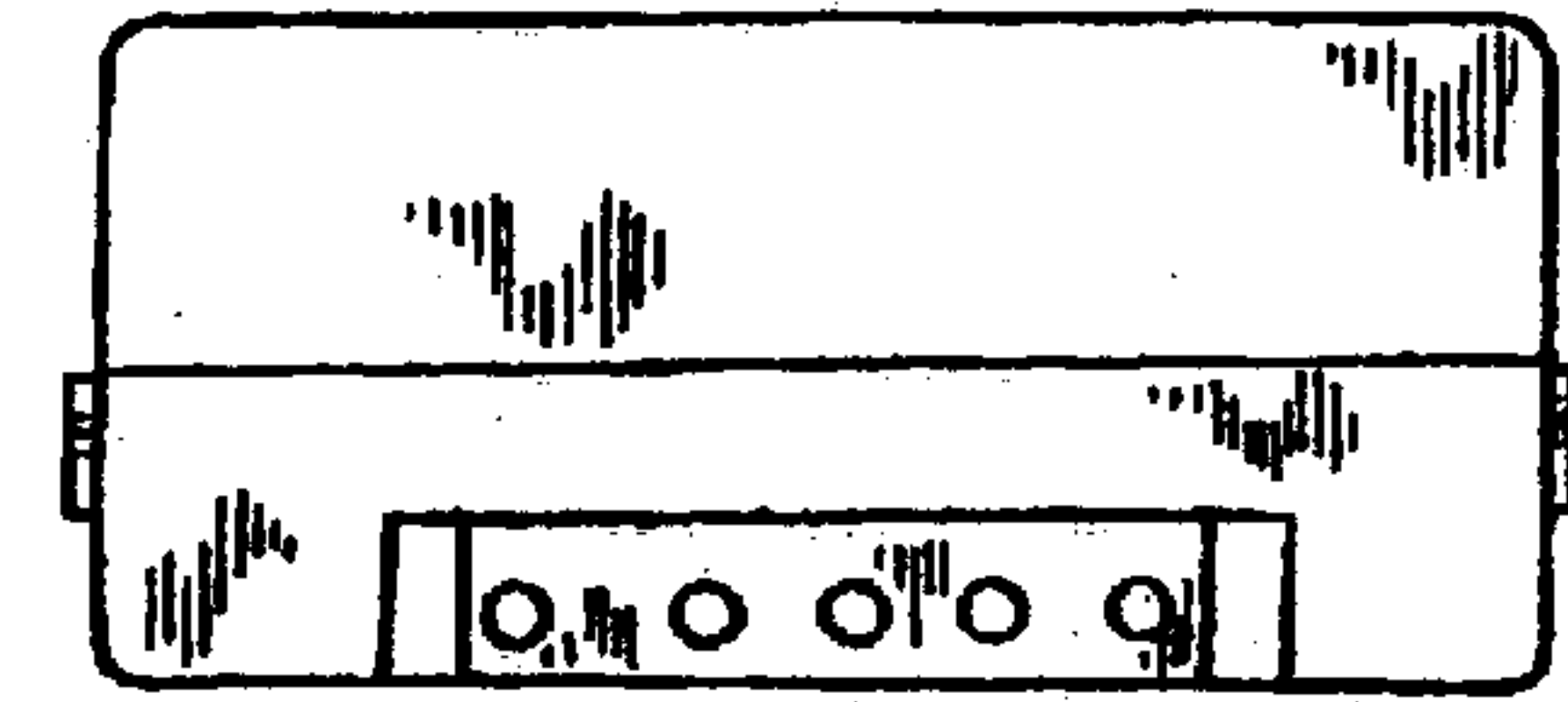
*Fig. 1.*



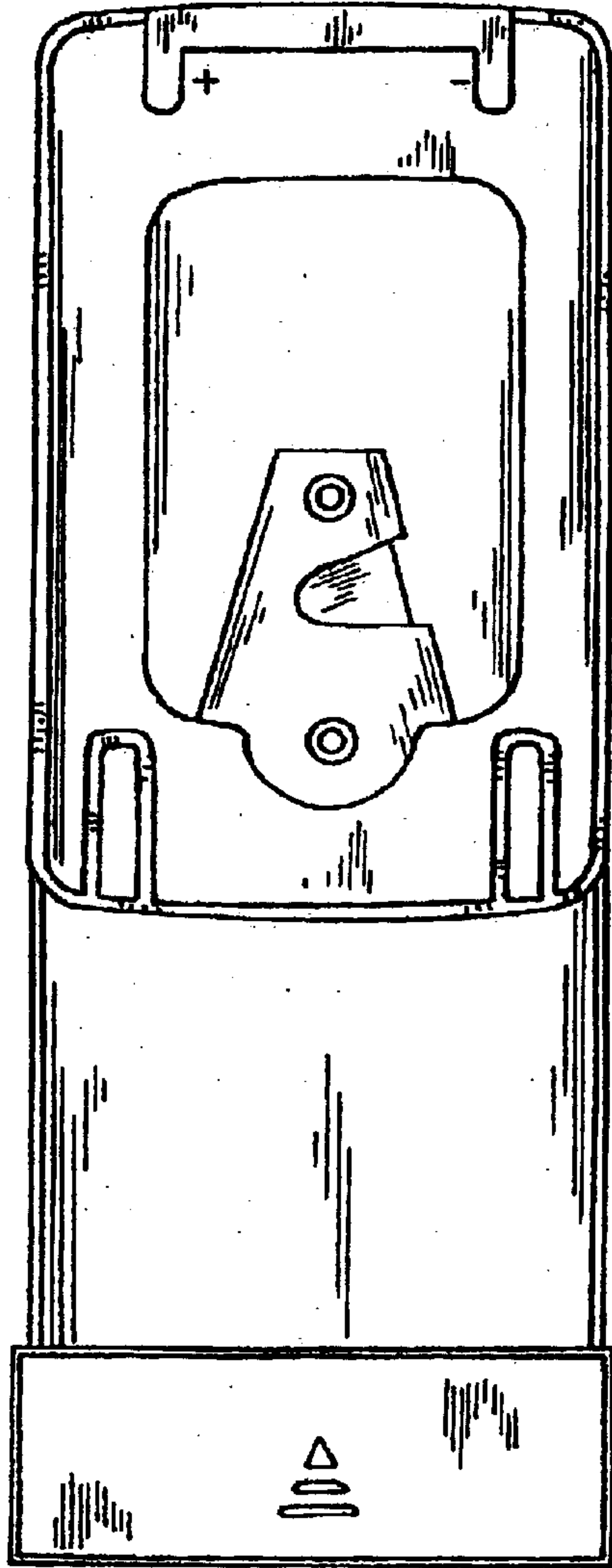
*Fig. 2.*



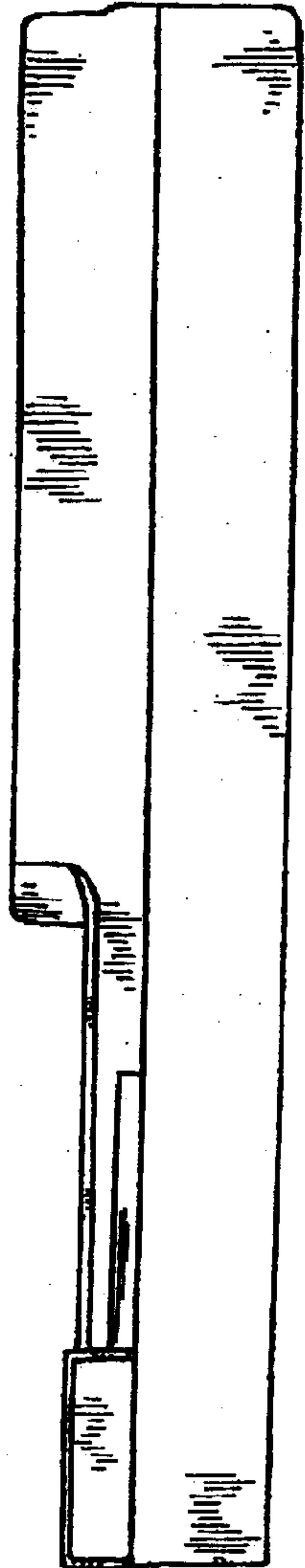
*Fig. 4.*



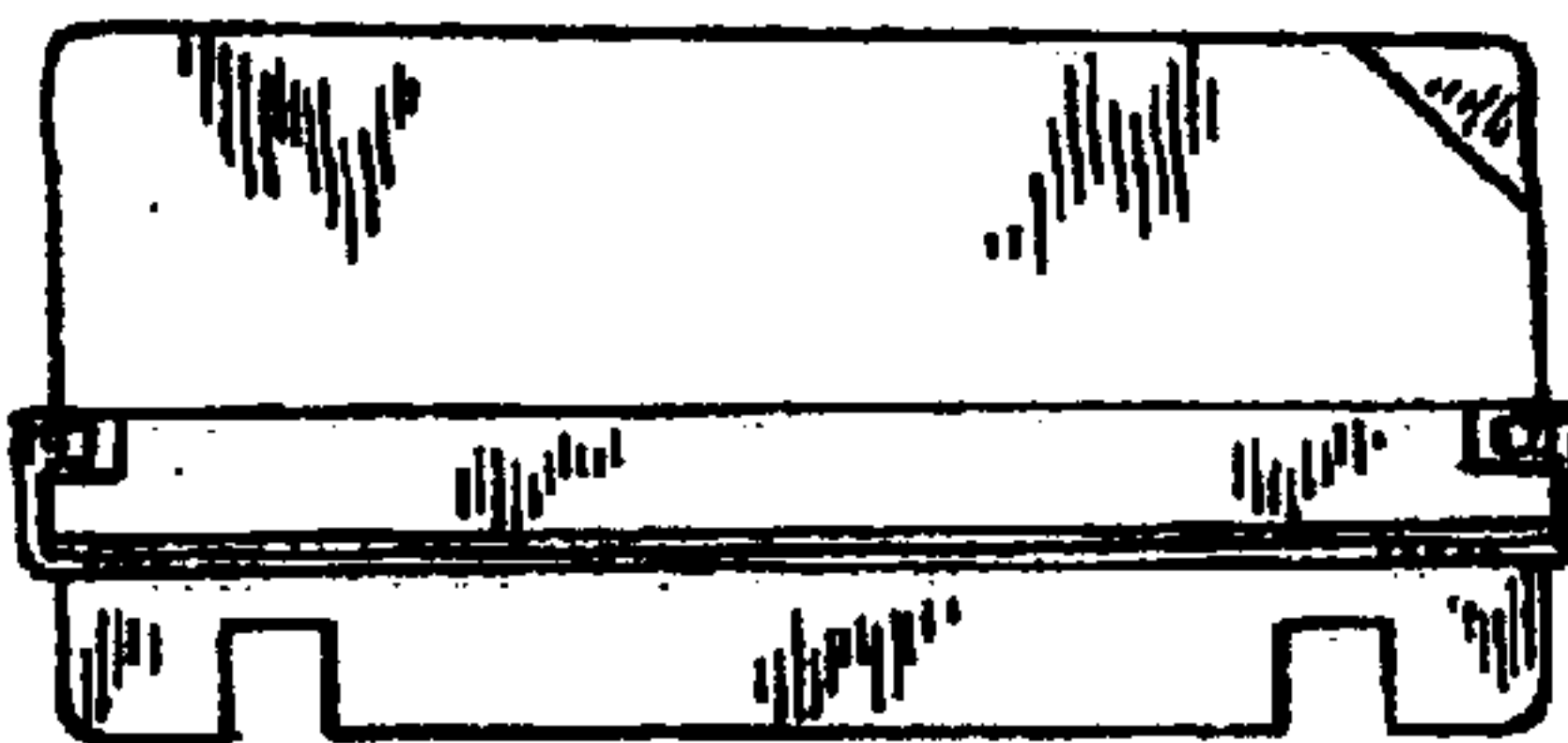
*Fig. 6.*



*Fig. 3.*



*Fig. 5.*



*Fig. 7.*

