



US00D490769S

(12) **United States Design Patent**
Diensthuber et al.

(10) **Patent No.:** **US D490,769 S**
(45) **Date of Patent:** **** Jun. 1, 2004**

(54) **TIRE TREAD**

(75) Inventors: **Franz Diensthuber**, Hannover (DE);
Jan Schlittenhard, Wedemark (DE)

(73) Assignee: **Continental Aktiengesellschaft** (DE)

(**) Term: **14 Years**

(21) Appl. No.: **29/183,442**

(22) Filed: **Jun. 10, 2003**

(30) **Foreign Application Priority Data**

Dec. 10, 2002 (DE) 402 10 201

(51) **LOC (7) Cl.** **12-15**

(52) **U.S. Cl.** **D12/531**

(58) **Field of Search** D12/503, 505,
D12/512, 515, 519, 521, 531, 532; 152/209.1,
209.8, 209.9, 209.12, 209.13, 209.25, 209.28

(56) **References Cited**

U.S. PATENT DOCUMENTS

D355,876 S * 2/1995 Diensthuber D12/563
D395,415 S * 6/1998 Graas D12/603
6,341,633 B1 * 1/2002 Adlon et al. 152/209.3
6,619,352 B2 * 9/2003 Diensthuber et al. 152/209.2
6,659,146 B2 * 12/2003 Dorrie et al. 152/209.15

FOREIGN PATENT DOCUMENTS

JP 1035113 * 1/1999

OTHER PUBLICATIONS

Falken Radial A/P Tire, 2002 Tread Design Guide, Jan. 2002, p. 29. 2/5.*

National Wintermaster XRT Tire, 2002 Tread Design Guide, Jan. 2002, p. 52. 4/4.*

Nokian NRW All Weather Plus Tire, 2002 Tread Design Guide, Jan. 2002, p. 54. 4/3.*

Republic Snowtrakker ST/2 Tire, 2002 Tread Design Guide, Jan. 2002, p. 58. 4/4.*

* cited by examiner

Primary Examiner—Robert M. Spear

(74) *Attorney, Agent, or Firm*—R W Becker & Associates;
R W Becker

(57) **CLAIM**

The ornamental design for a tire tread, as shown and described.

DESCRIPTION

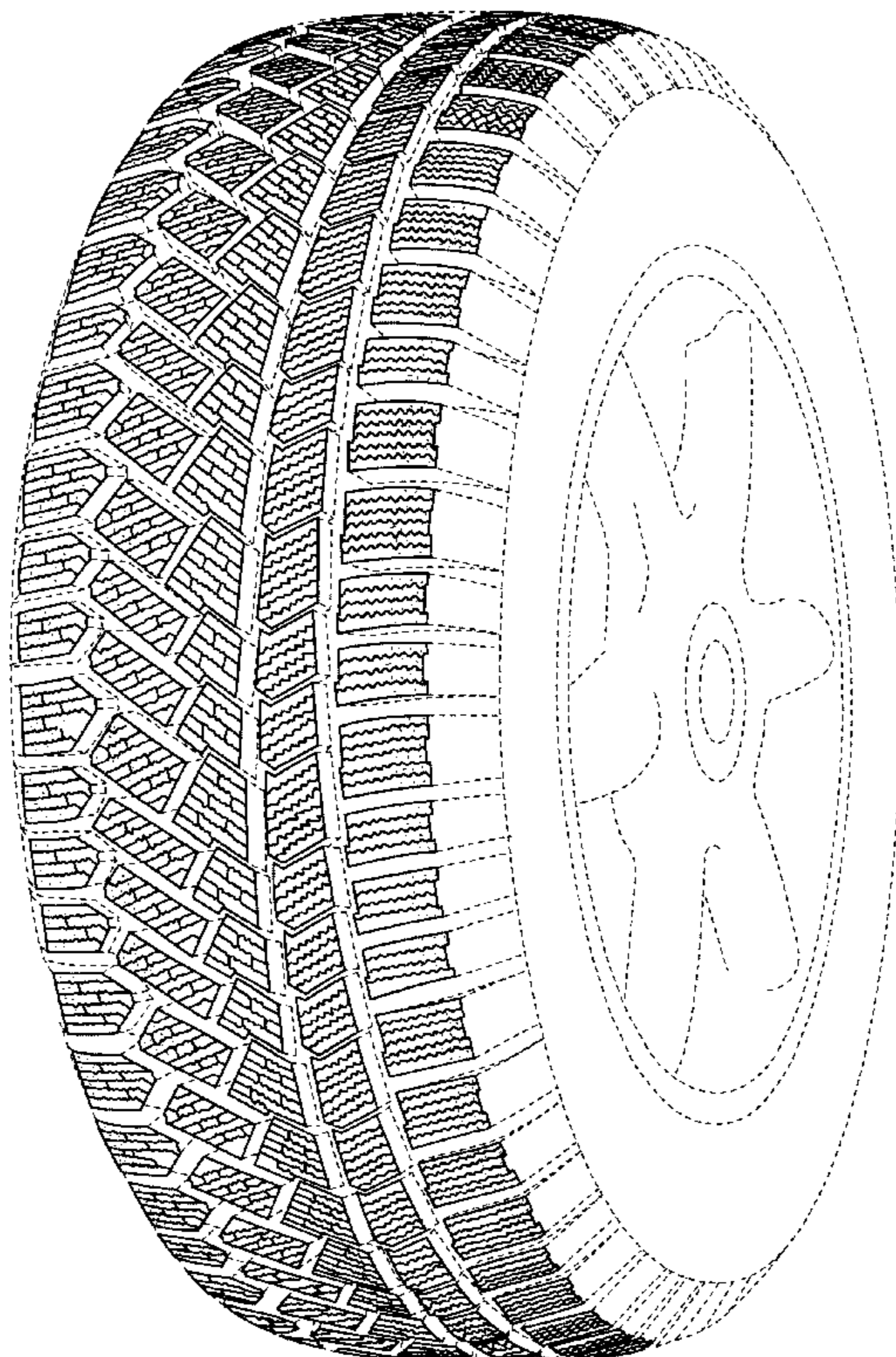
FIG. 1 is a perspective view showing our tire tread;

FIG. 2 is an enlarged perspective view of a portion of our tire tread; and,

FIG. 3 shows one block with sipes of our tire tread.

The broken lines in the drawing represent environmental structure and form no part of the claimed design.

1 Claim, 3 Drawing Sheets



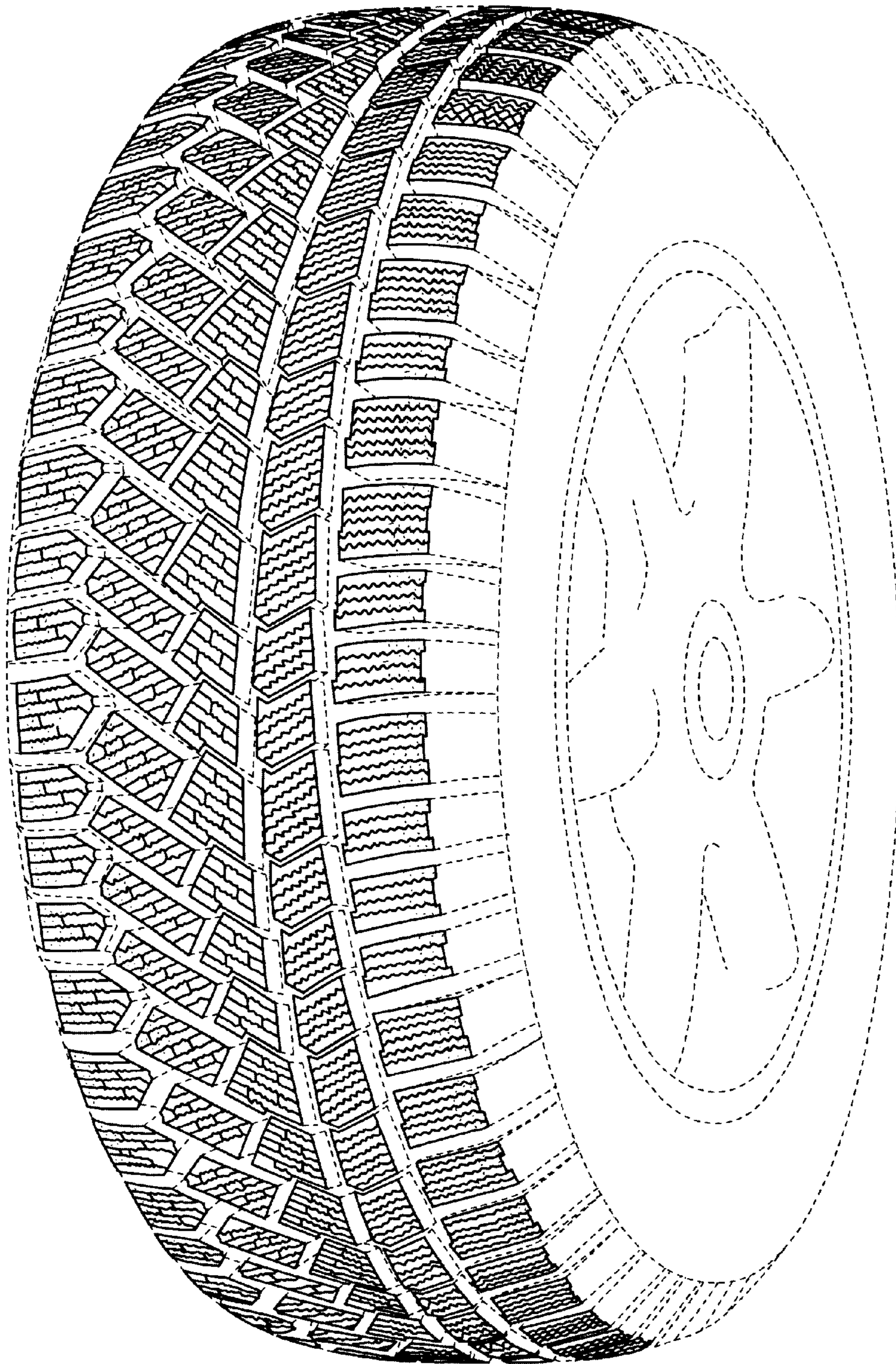


FIG. 1

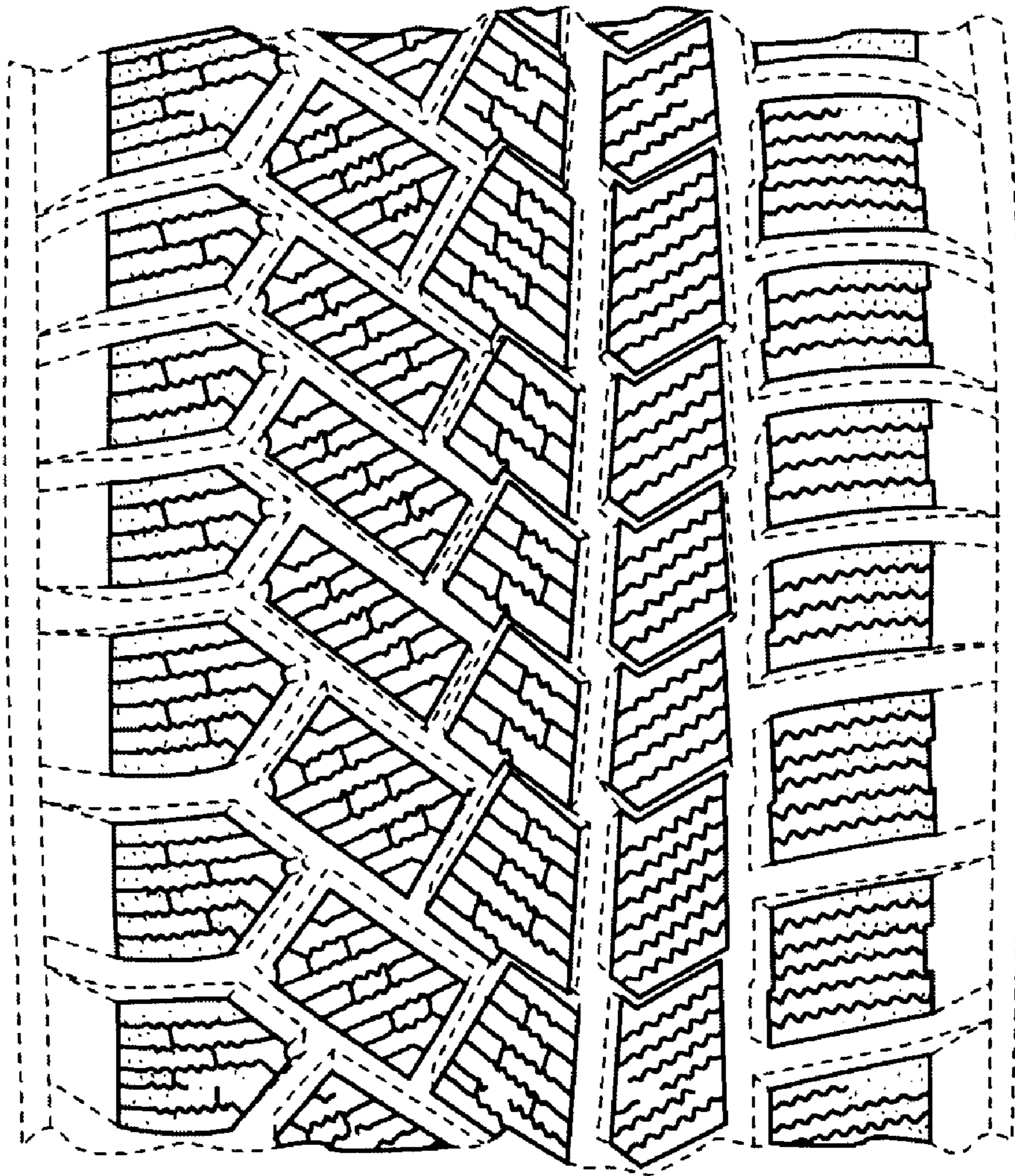


FIG. 2

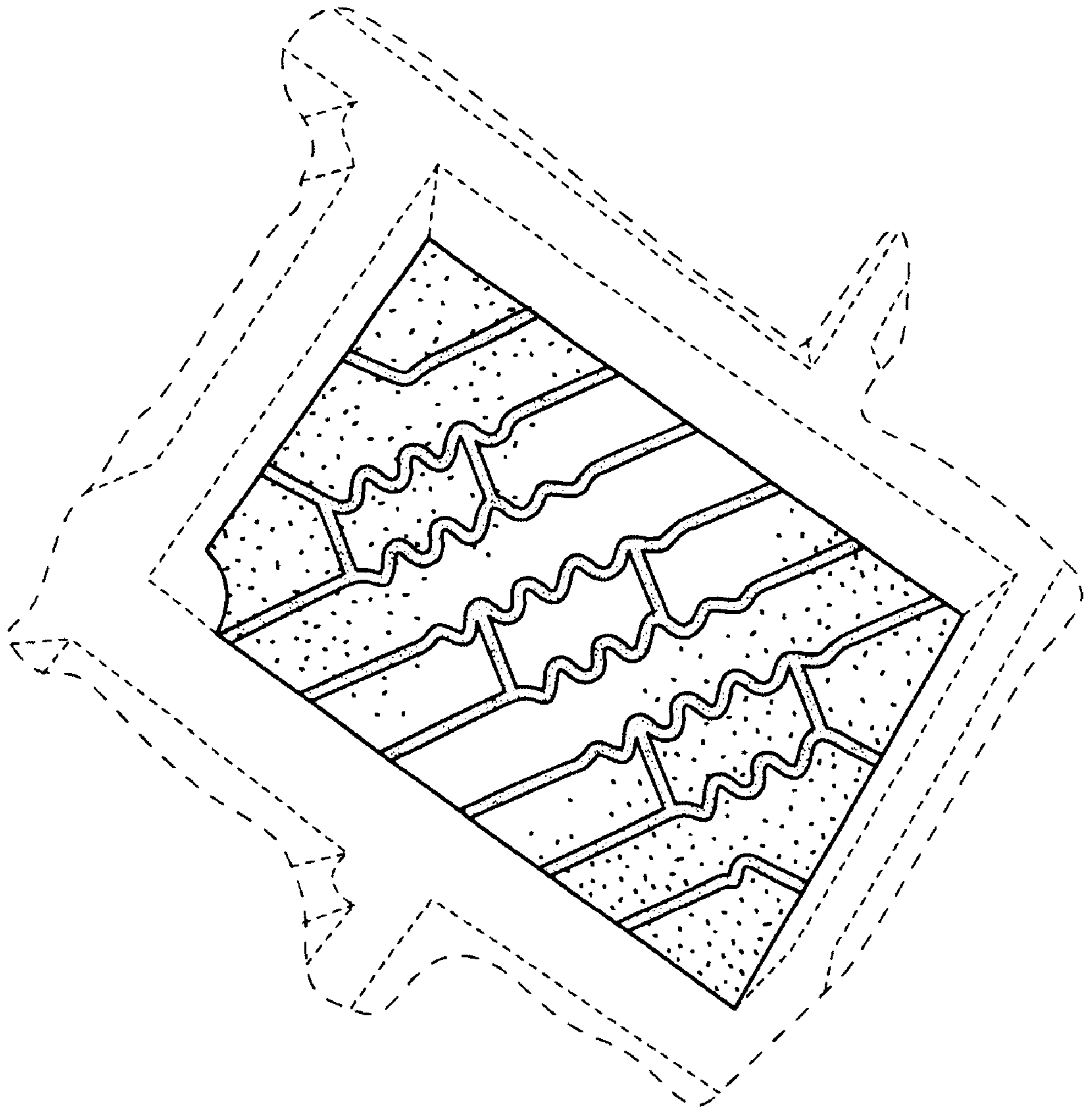


FIG.3