



US00D490768S

(12) **United States Design Patent**
Baynes et al.

(10) **Patent No.:** **US D490,768 S**

(45) **Date of Patent:** **** Jun. 1, 2004**

(54) **BICYCLE FISHING POLE HOLDER**

(76) Inventors: **Dale Edward Baynes**, 620 Etheridge Rd., Chesapeake, VA (US) 23322; **Sue Ellen Baynes**, 620 Etheridge Rd., Chesapeake, VA (US) 23322

(**) Term: **14 Years**

(21) Appl. No.: **29/174,273**

(22) Filed: **Jan. 16, 2003**

(51) **LOC (7) Cl.** **12-16**

(52) **U.S. Cl.** **D12/407**

(58) **Field of Search** D12/115, 407, D12/408; D22/147, 148; 280/288.4, 304.5; 43/21.2, 54.1; 224/922, 536, 412, 419-427, 448, 461; D6/552; D8/354, 373, 382; 211/70.8; 248/511-524, 538, 309.1, 317, 219.4

(56) **References Cited**

U.S. PATENT DOCUMENTS

5,131,179 A 7/1992 McEwen
D336,731 S * 6/1993 Nichols, Jr. D8/382

5,460,306 A 10/1995 Rudd
D365,870 S 1/1996 Miller
D369,585 S * 5/1996 Gregory D12/408
5,673,835 A 10/1997 Kalat
6,273,391 B1 8/2001 Engolia

* cited by examiner

Primary Examiner—Alan P. Douglas
Assistant Examiner—Linda Brooks
(74) *Attorney, Agent, or Firm*—Richard L. Mikesell

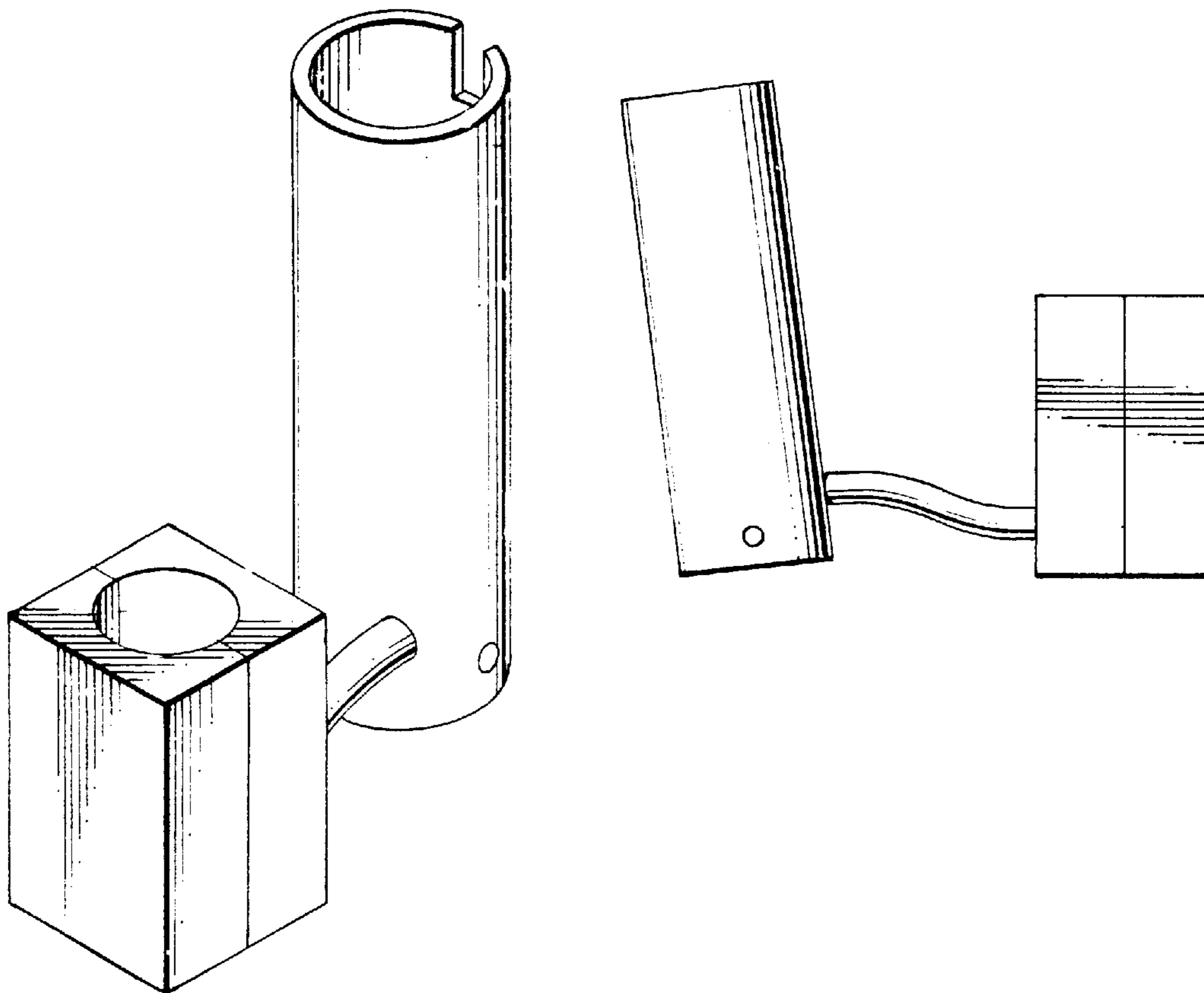
(57) **CLAIM**

The ornamental design for a bicycle fishing pole holder, as shown and described.

DESCRIPTION

FIG. 1 is a Top Right perspective view of the design of the instant invention;
FIG. 2 is a Side elevation;
FIG. 3 is a Top plan;
FIG. 4 is a Bottom plan; and,
FIG. 5 is a Rear elevation.

1 Claim, 1 Drawing Sheet



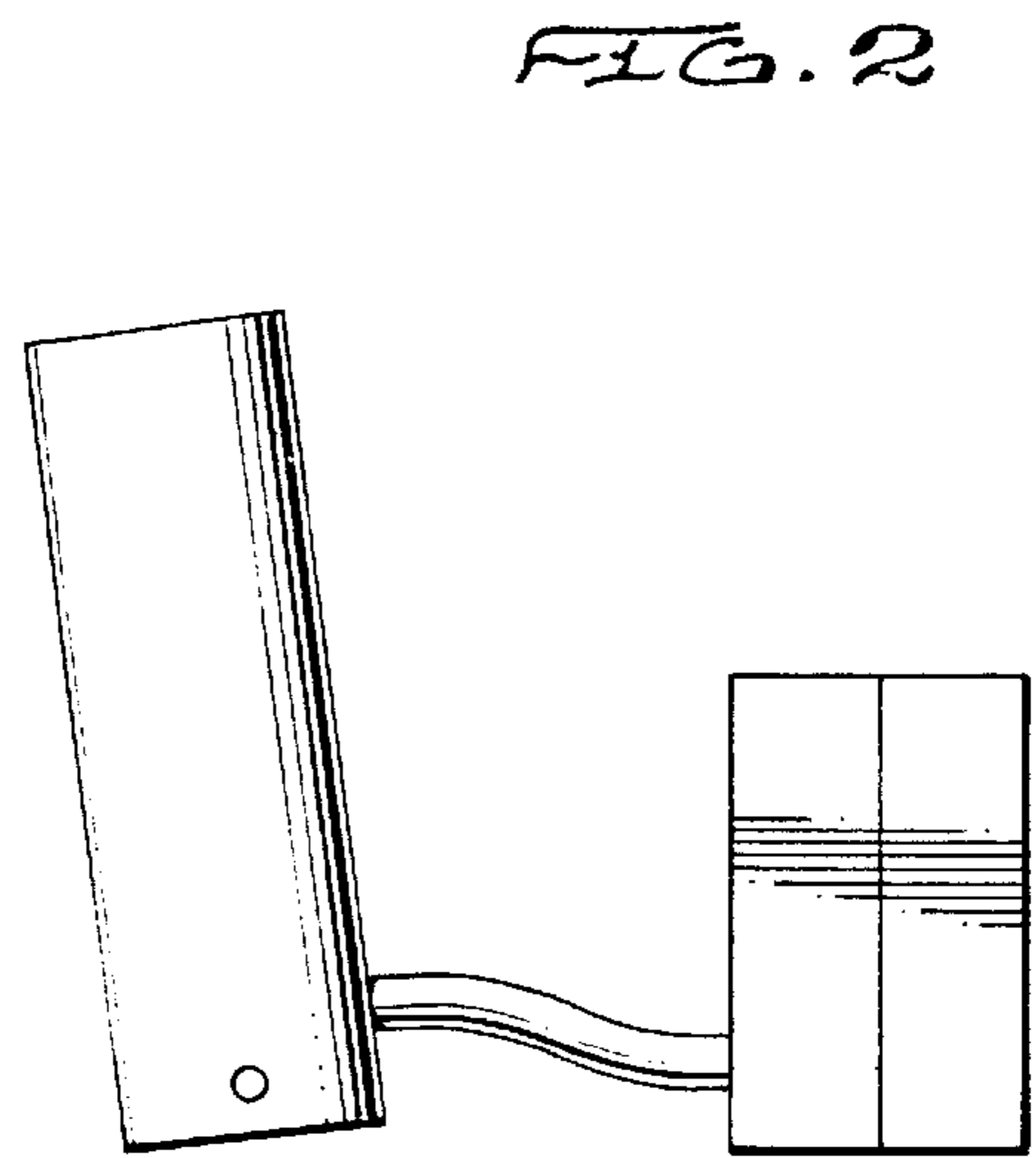
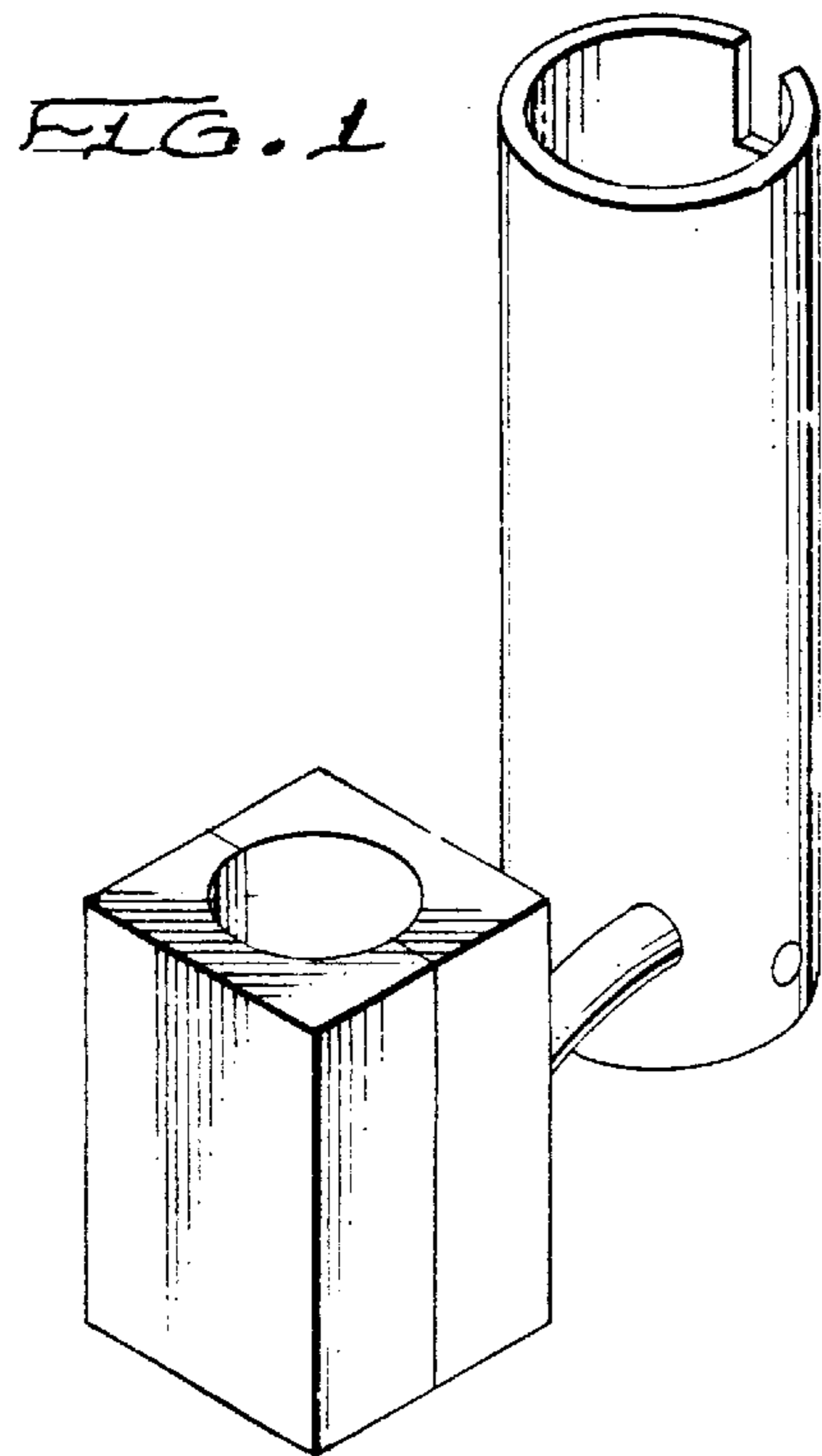


FIG. 3

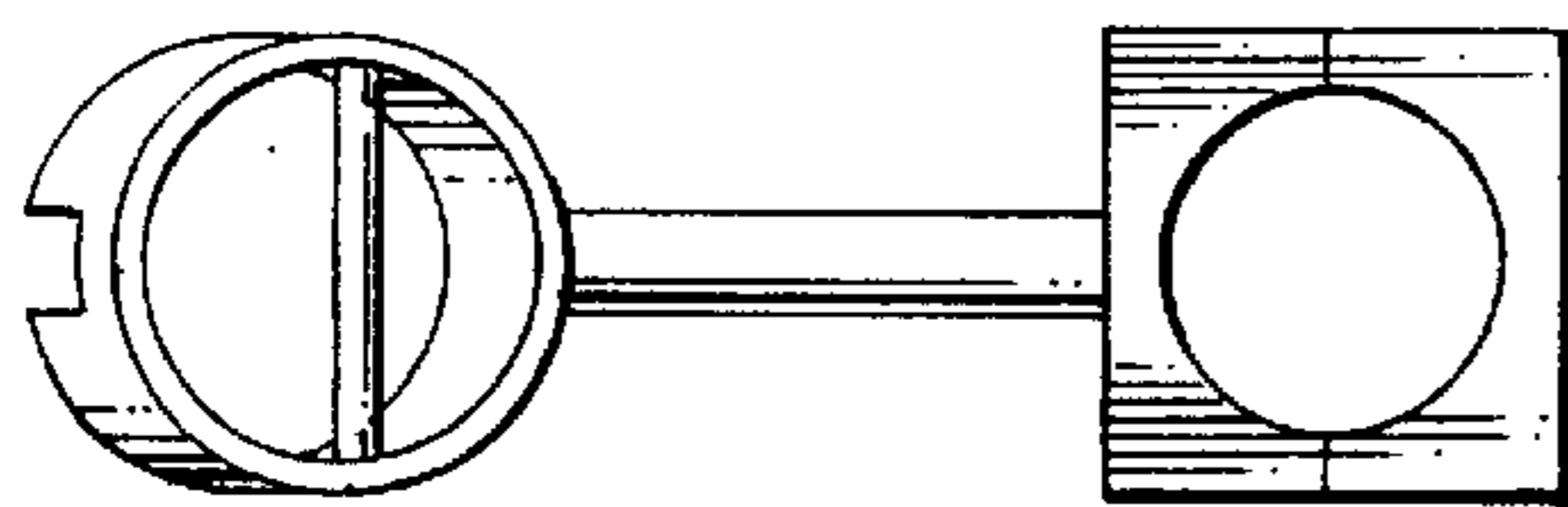
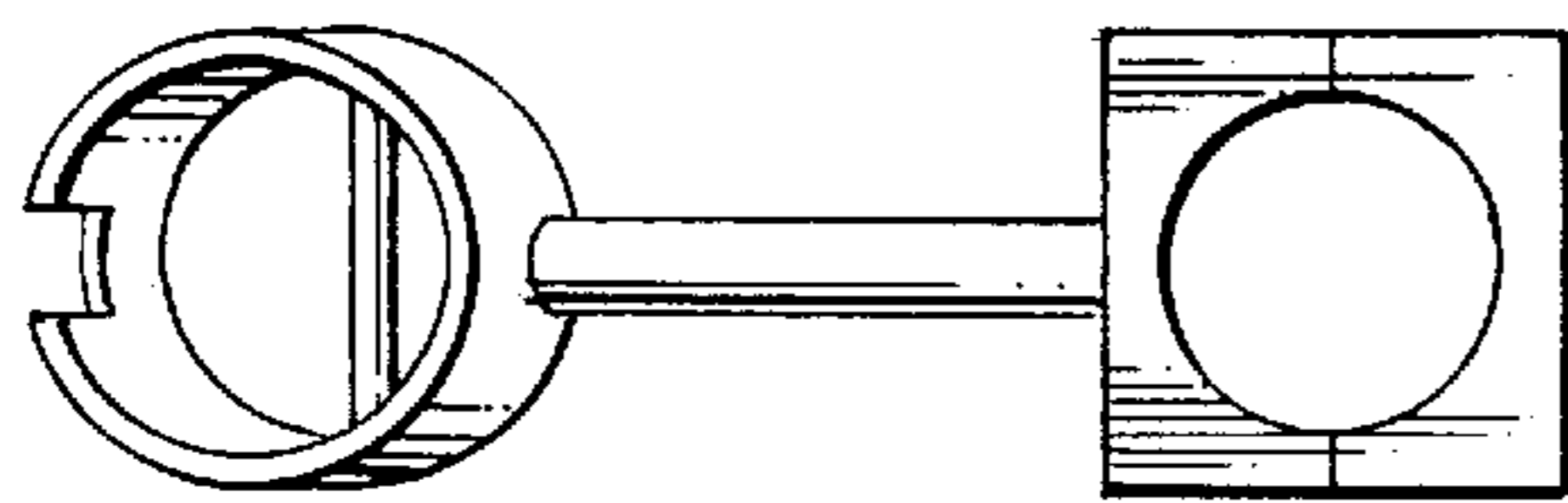


FIG. 4

FIG. 5

