



US00D490765S

(12) **United States Design Patent**
Dominy

(10) **Patent No.:** **US D490,765 S**

(45) **Date of Patent:** **** Jun. 1, 2004**

(54) **WINDSURFING BOOM CLAMP ON DEVICE**

(76) **Inventor:** **David Albert Dominy**, P.O. Box 246,
La Jolla, CA (US) 92007

(**) **Term:** **14 Years**

(21) **Appl. No.:** **29/190,117**

(22) **Filed:** **Sep. 15, 2003**

(51) **LOC (7) Cl.** **12-06**

(52) **U.S. Cl.** **D12/317**

(58) **Field of Search** **D12/317; 114/39.2,**
114/97-99, 102; 248/74.1-74.5

(56) **References Cited**

U.S. PATENT DOCUMENTS

5,000,108 A * 3/1991 Wagner 114/98

5,313,904 A * 5/1994 Schmidtkunz et al. 114/99

* cited by examiner

Primary Examiner—Lisa Lichtenstein

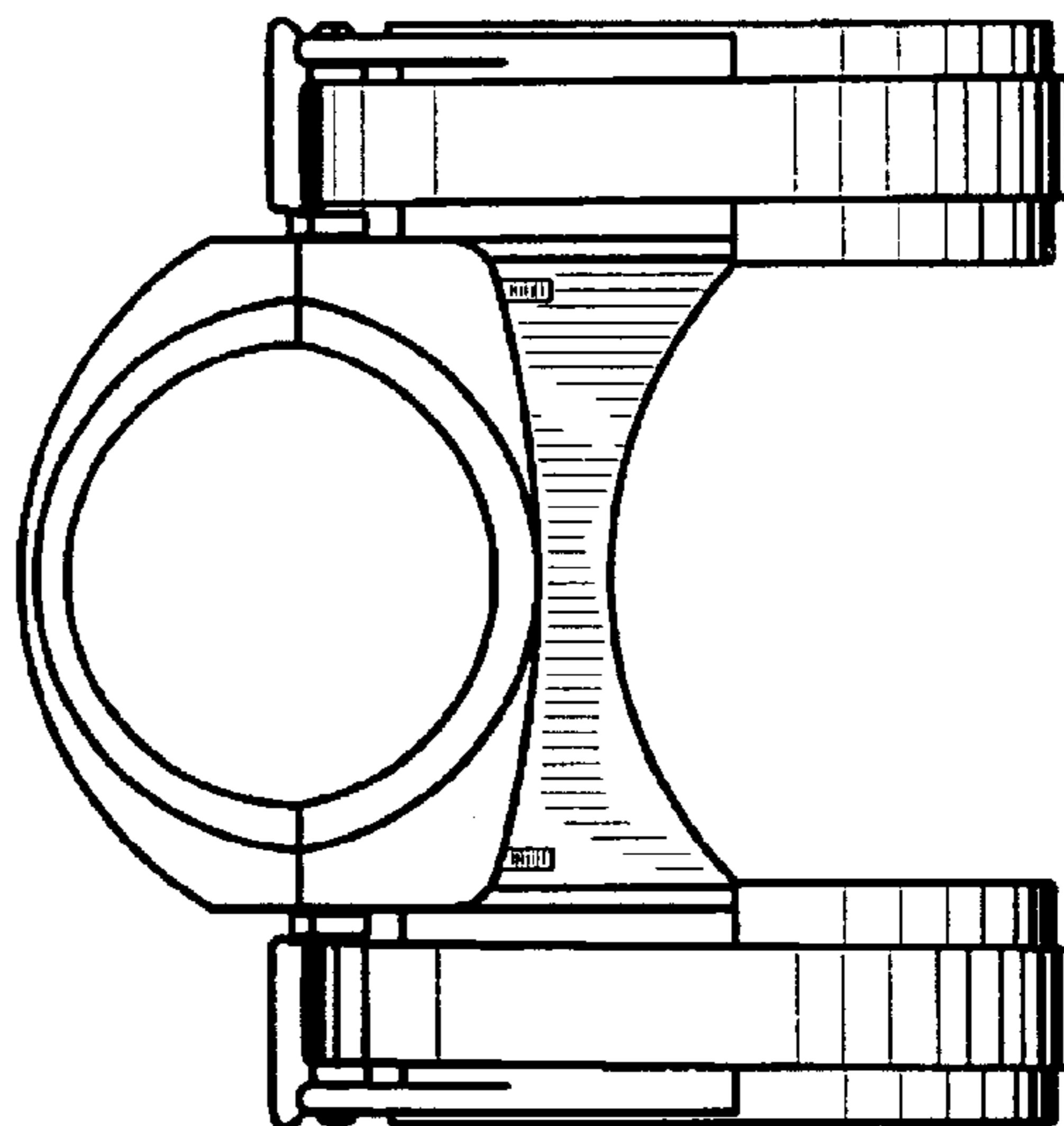
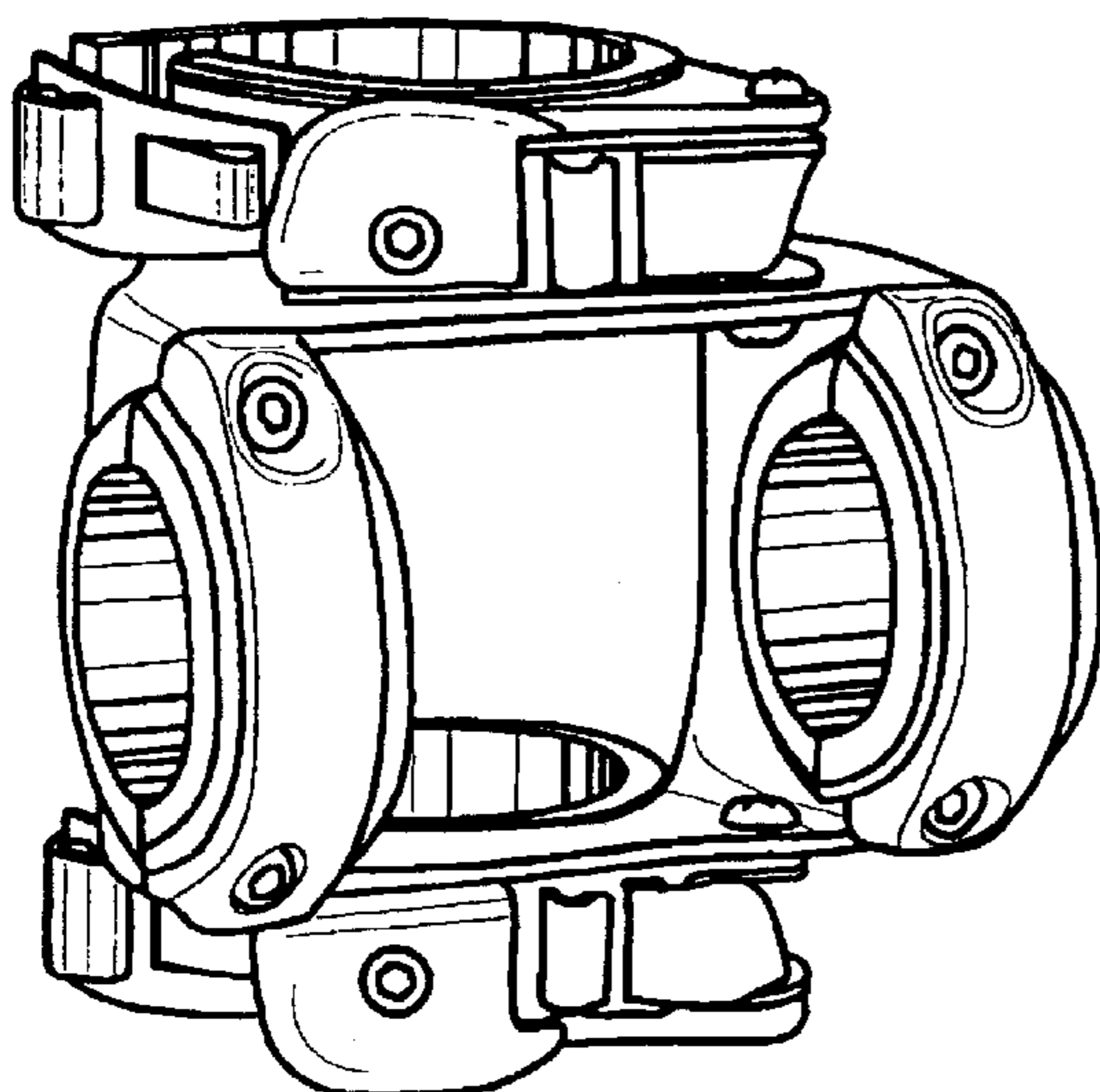
(57) **CLAIM**

The ornamental design for a windsurfing boom clamp on device, as shown.

DESCRIPTION

FIG. 1 is an isometric view of a windsurfing boom clamp on device showing my new design; FIG. 2 is a front view thereof and FIG. 3 is a right side view thereof. FIG. 4 is a left side view thereof. FIG. 5 is a back view thereof; and, FIG. 6 is top view thereof.

1 Claim, 2 Drawing Sheets



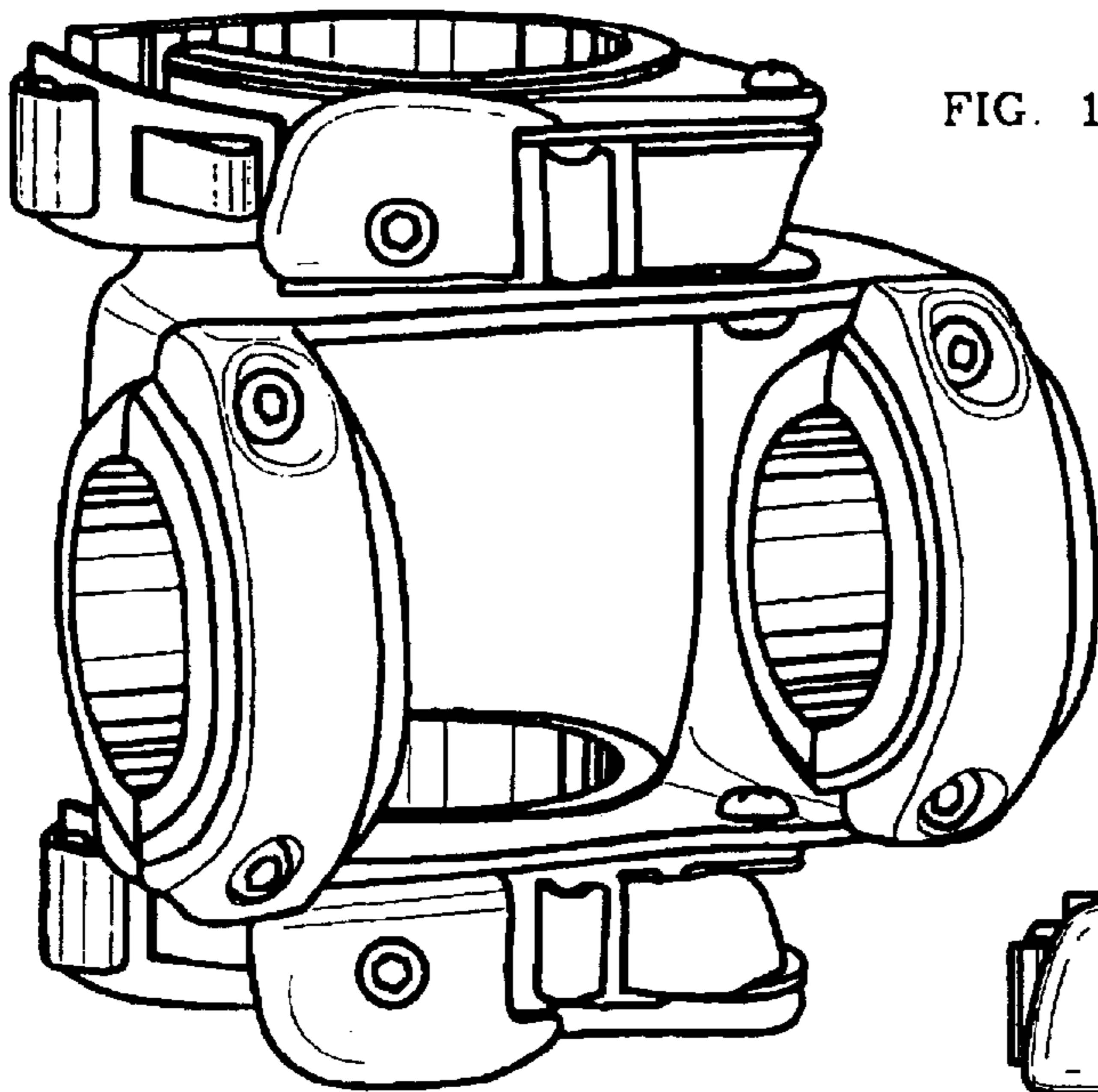


FIG. 1

FIG. 2

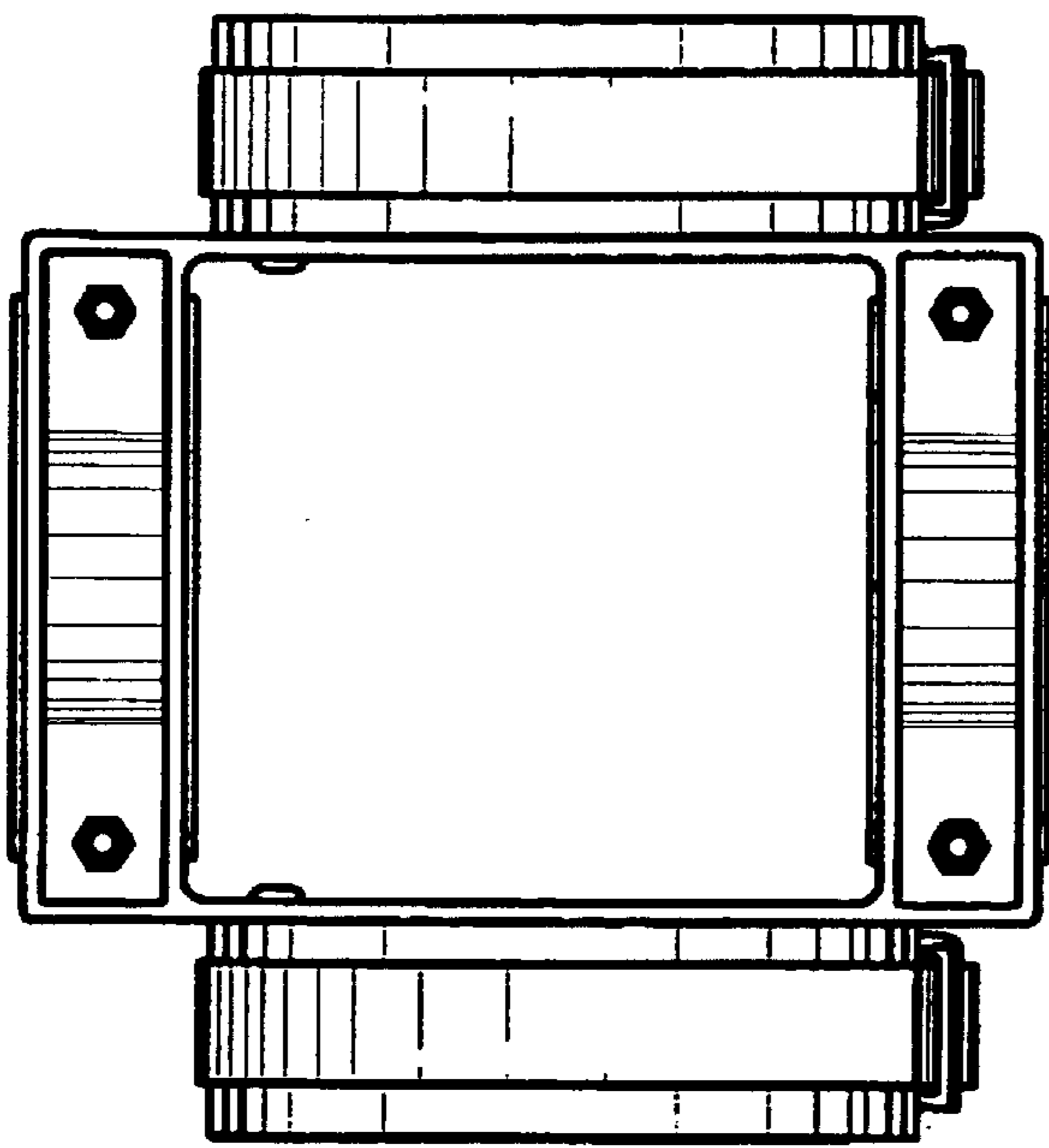
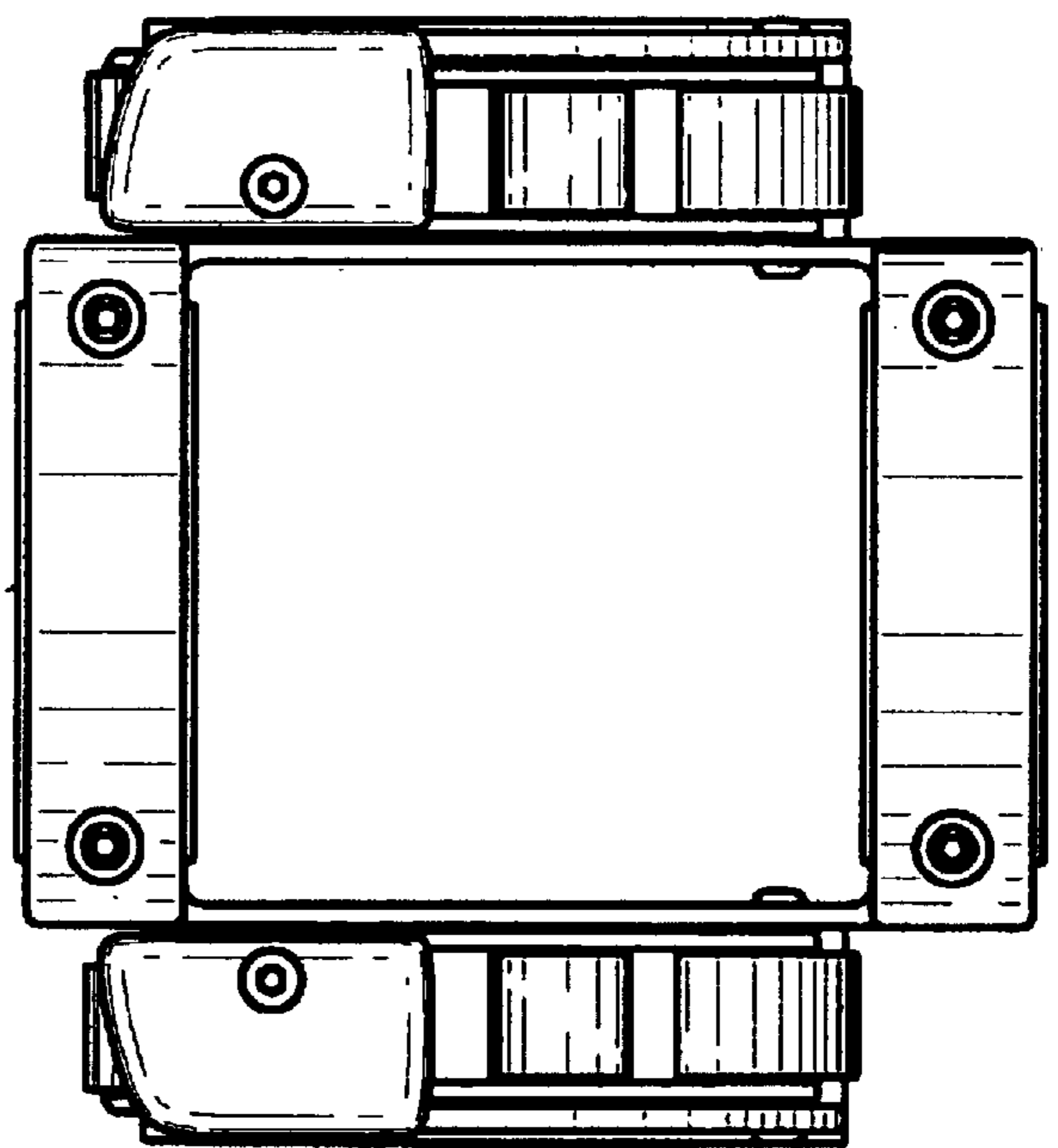


FIG. 5

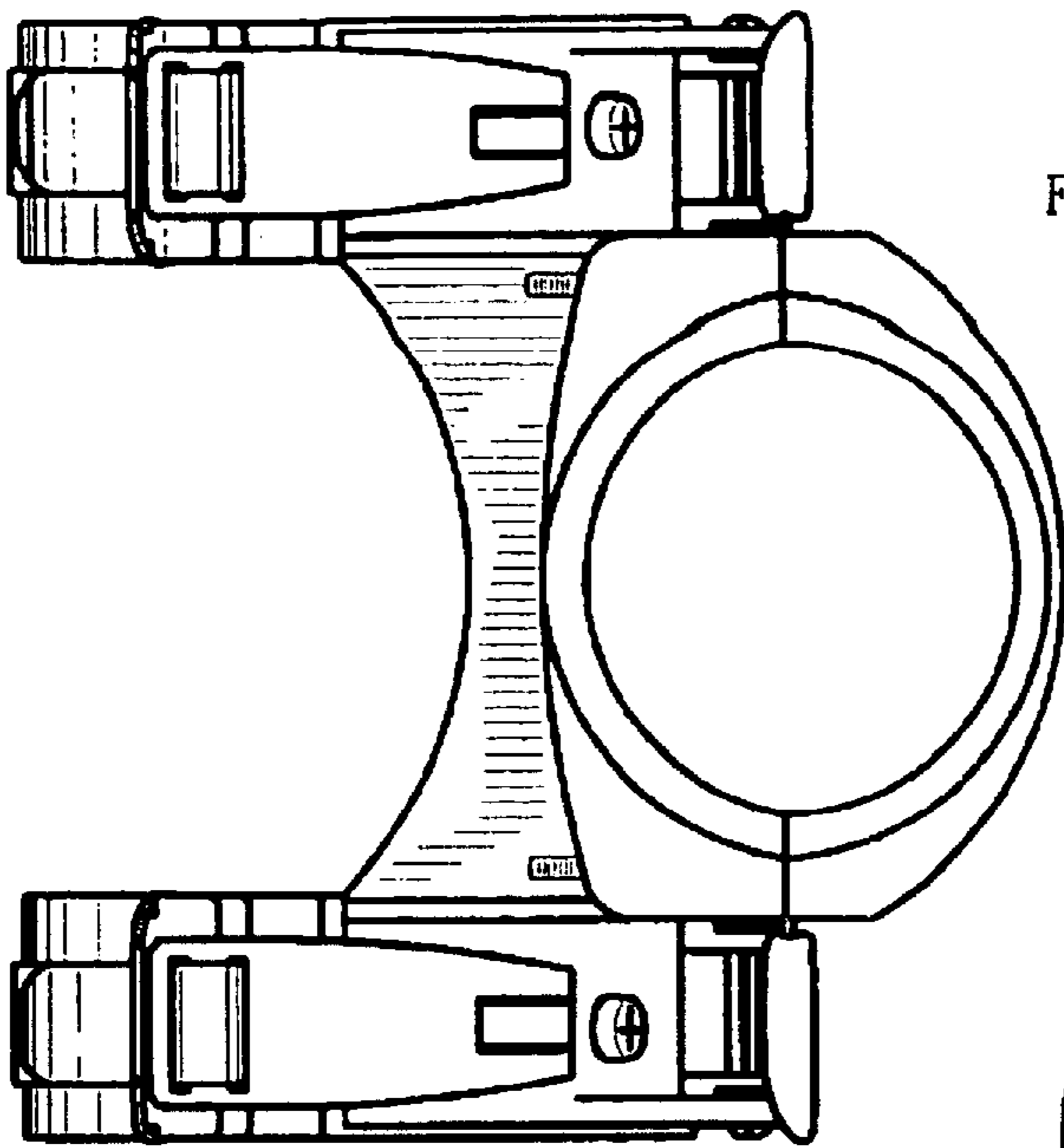


FIG. 3

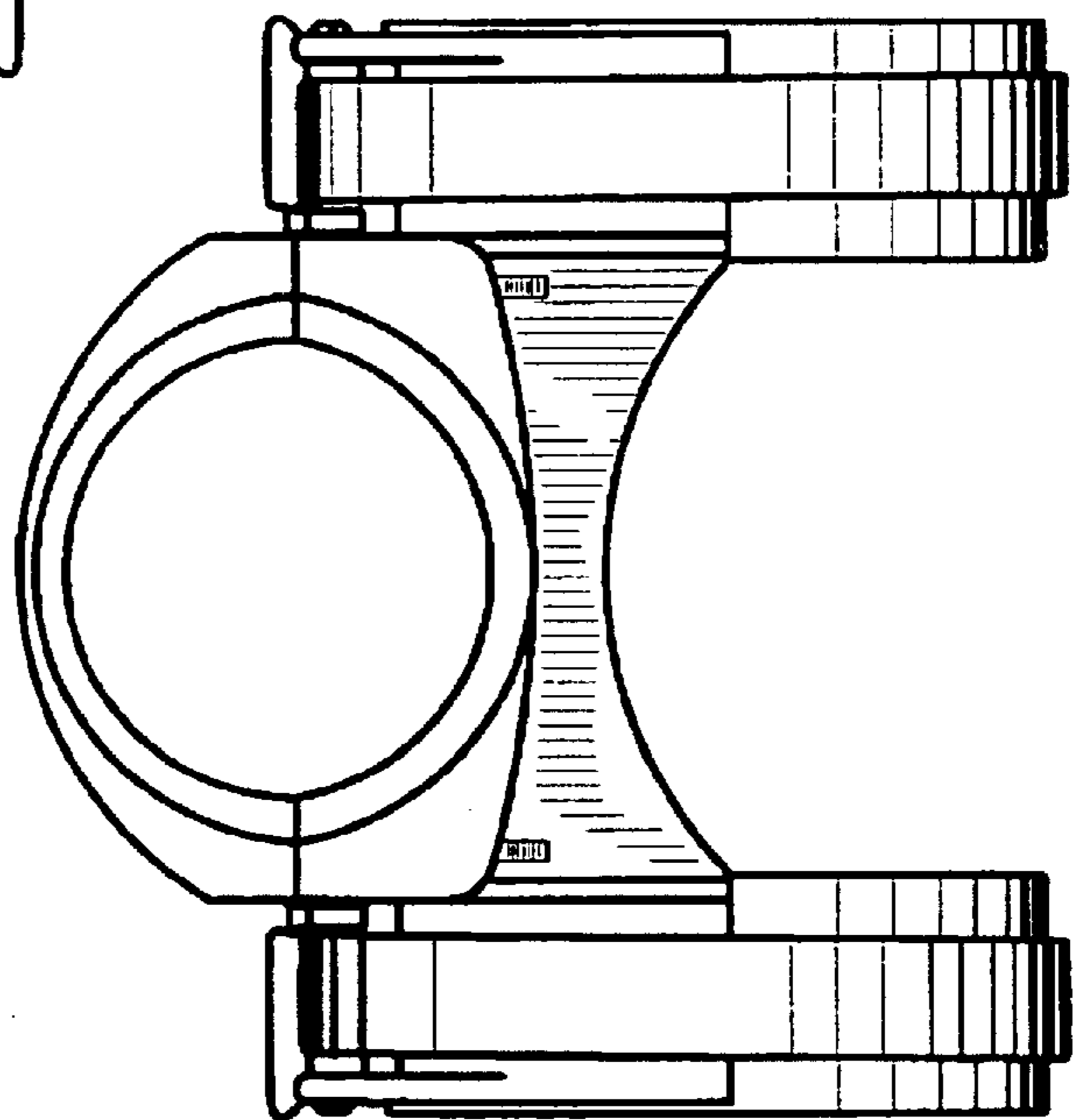


FIG. 4

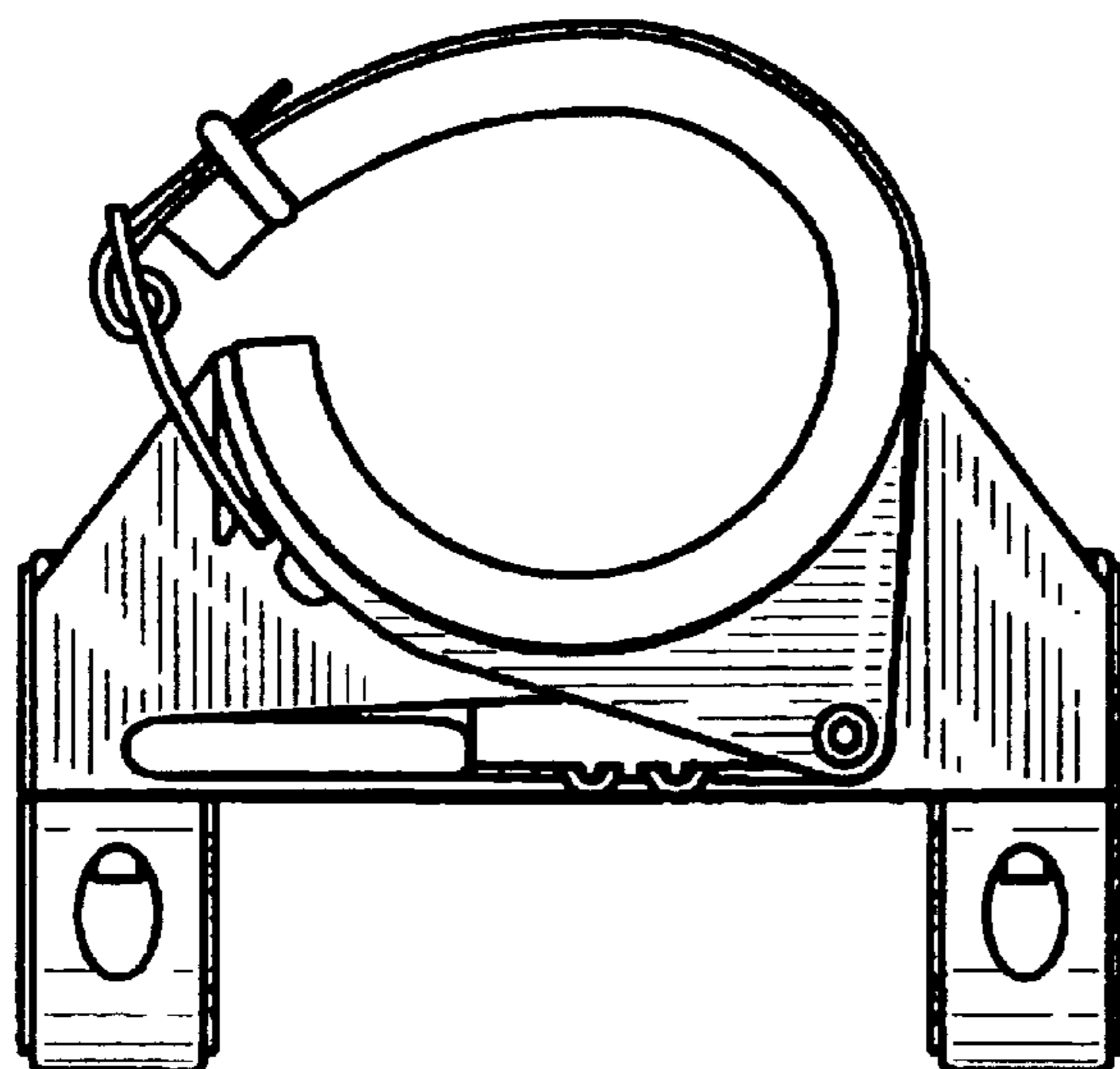


FIG. 6