



US00D490764S

(12) **United States Design Patent**
Vismara

(10) **Patent No.:** **US D490,764 S**

(45) **Date of Patent:** **** Jun. 1, 2004**

(54) **RUDDER STEERING WHEEL**

(75) Inventor: **Alessandro Vismara**, Milan (IT)

(73) Assignees: **M.A.S. Marine Advanced Services**,
Milan (IT); **S.A.S. di Vismara**
Alessandro, Milan (IT)

(**) Term: **14 Years**

(21) Appl. No.: **29/157,116**

(22) Filed: **Mar. 13, 2002**

(51) **LOC (7) Cl.** **12-07**

(52) **U.S. Cl.** **D12/317**

(58) **Field of Search** **D12/317; 114/162**

(56) **References Cited**

U.S. PATENT DOCUMENTS

779,961 A * 1/1905 Nicholson 114/162
4,944,239 A * 7/1990 McKenzie 114/162

OTHER PUBLICATIONS

M and E Marine Catalog, 1997, p. 173, steering wheels
located at top of page.*

Sailboat and Equipment Directory Catalog, 1984, steering
wheel located at top of p. 65.*

* cited by examiner

Primary Examiner—Holly Baynham

(74) *Attorney, Agent, or Firm*—Sofer & Haroun, LLP

(57) **CLAIM**

I claim the ornamental design for a rudder steering wheel, as
shown.

DESCRIPTION

FIG. 1 is a rear cross-section view of a rudder steering
wheel,

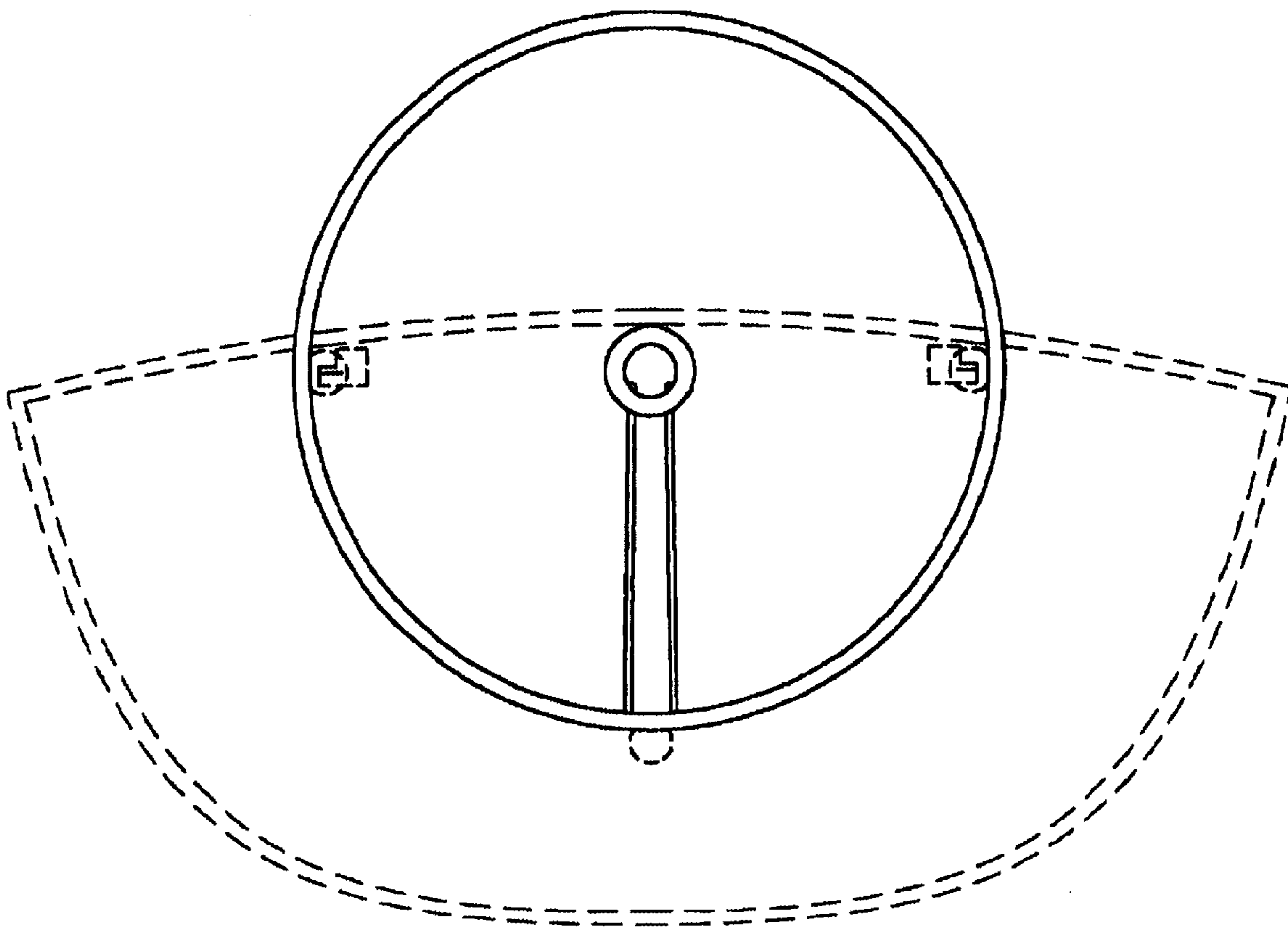
FIG. 2 is a front perspective view of a ruder steering wheel
as shown in FIG. 1;

FIG. 3 is an angled side perspective view of a rudder steering
wheel as shown in FIG. 1; and,

FIG. 4 is an angled rear perspective view of a rudder steering
wheel showing my new design.

The broken line showing a portion of a boat is for illustrative
purposes only and forms no part of the claimed design.

1 Claim, 4 Drawing Sheets



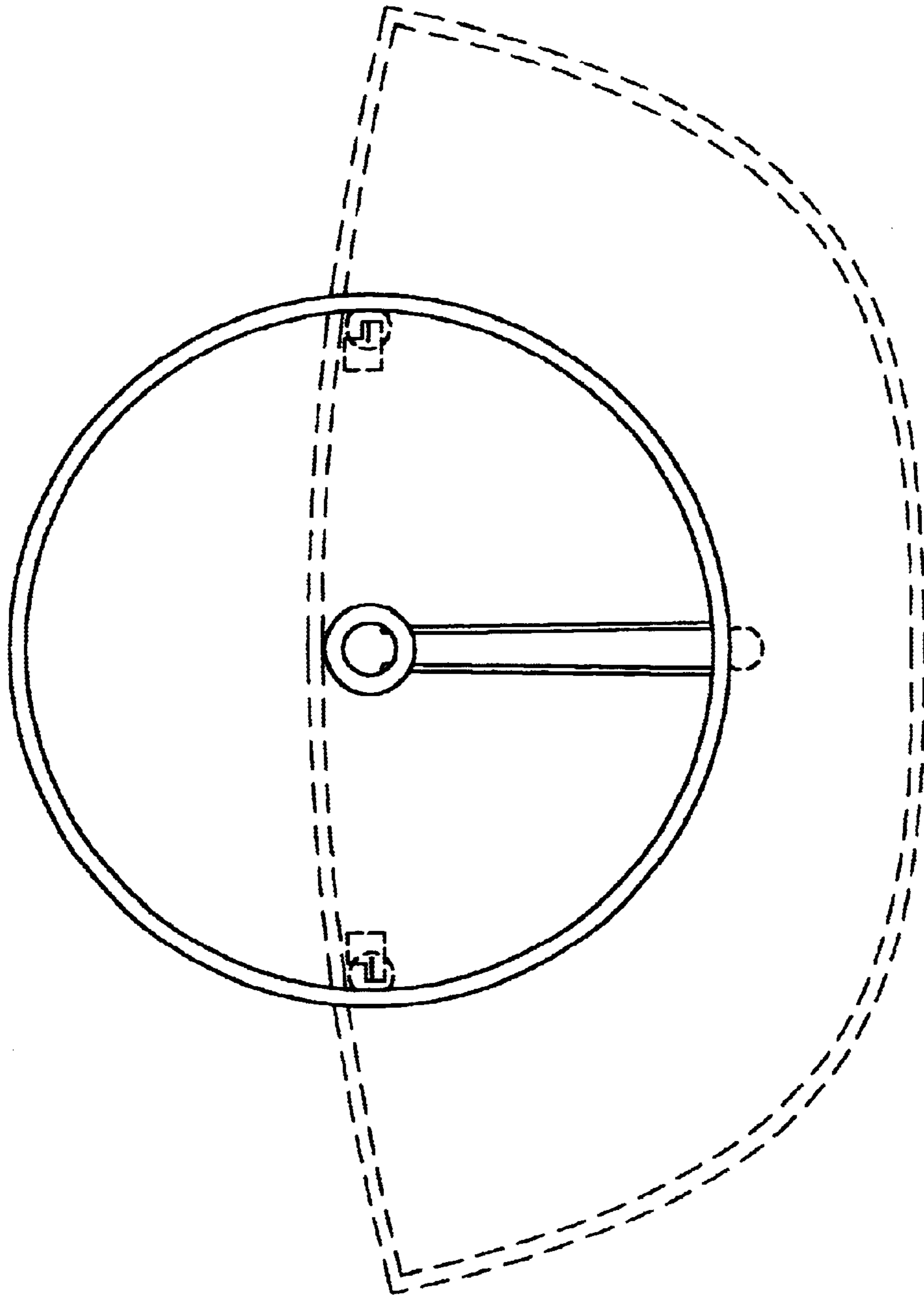


FIG. 1

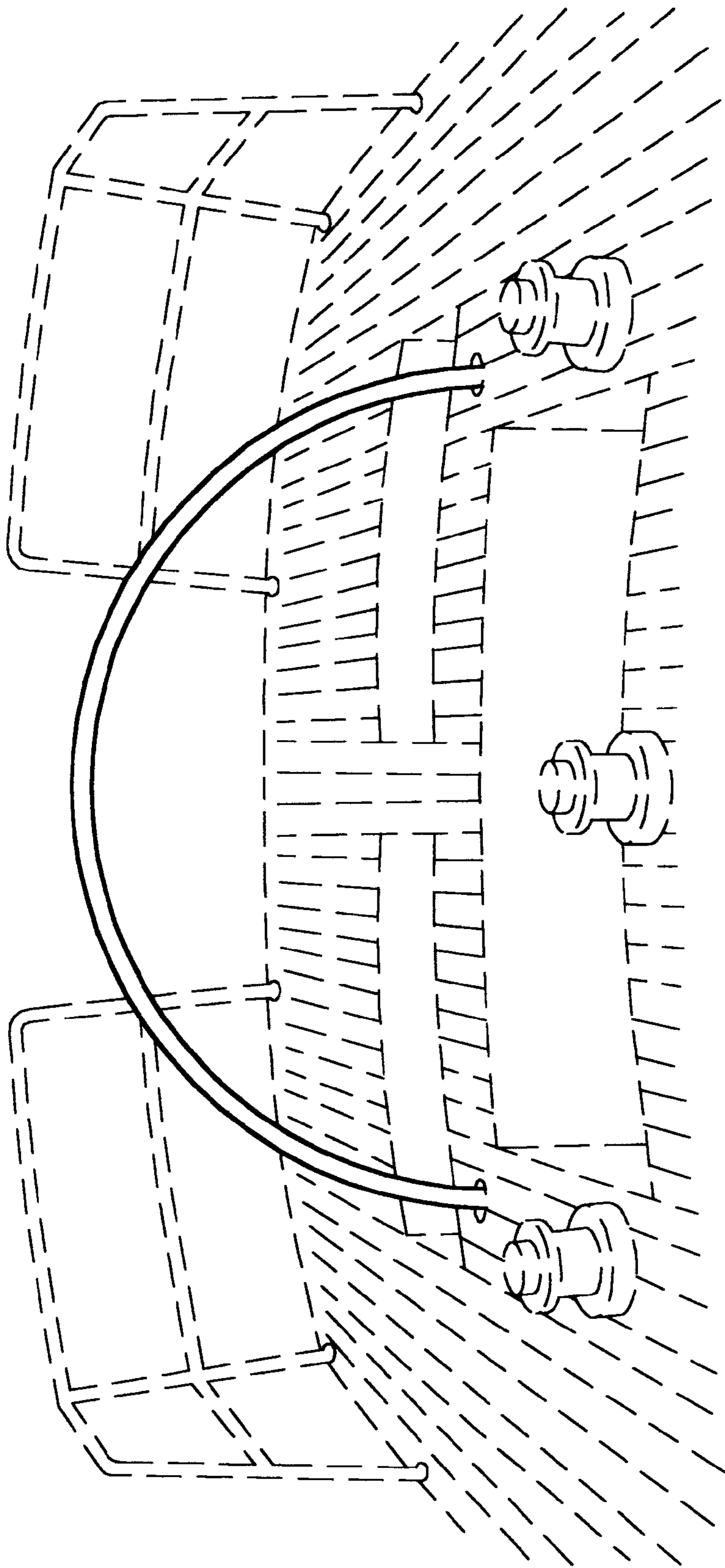


FIG. 2

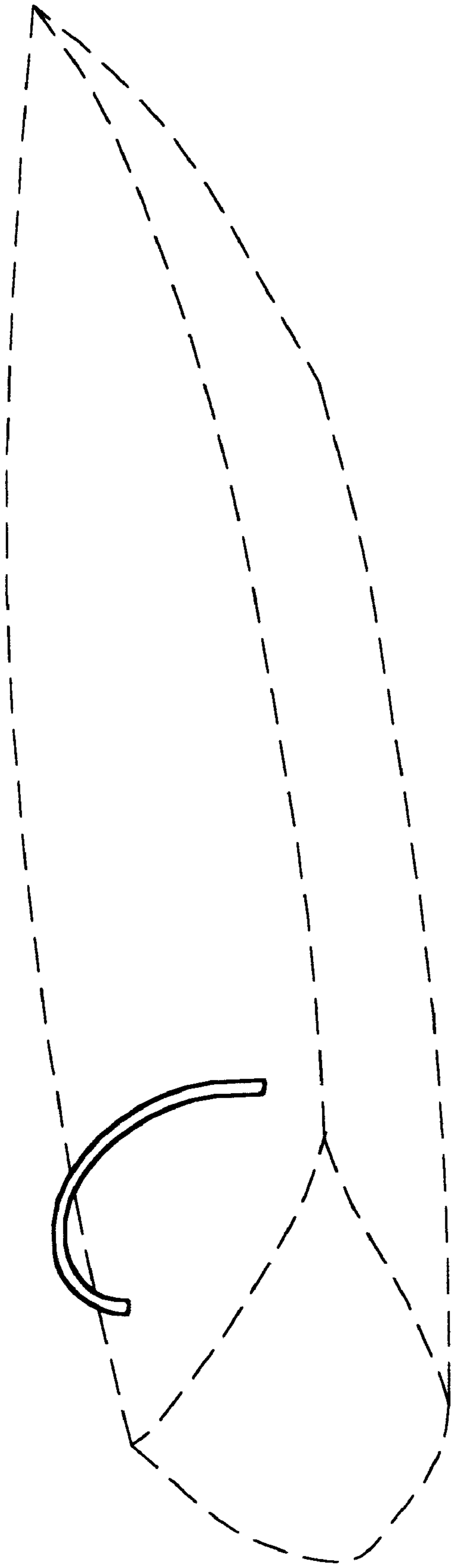


FIG. 3

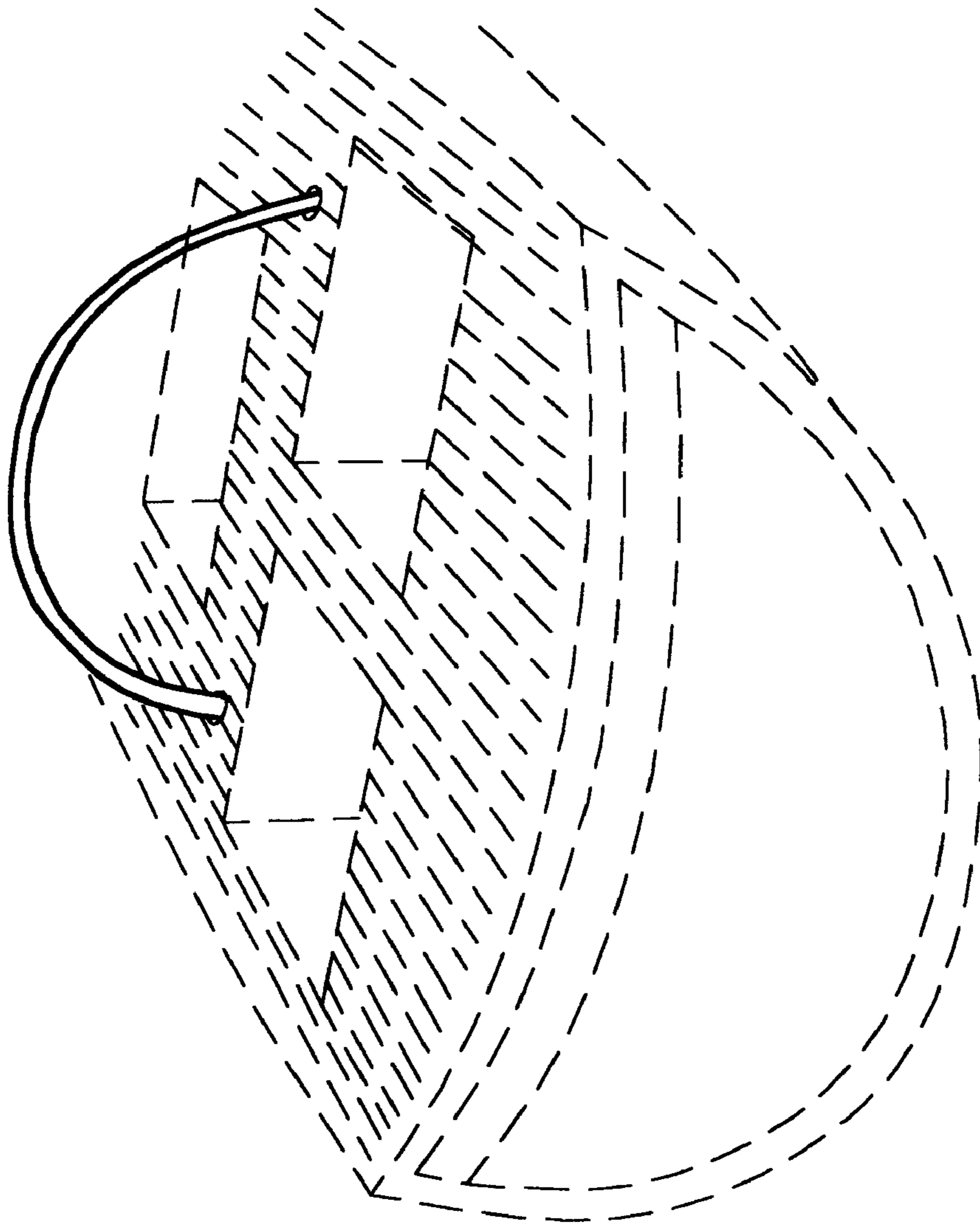


FIG. 4

UNITED STATES PATENT AND TRADEMARK OFFICE
CERTIFICATE OF CORRECTION

PATENT NO. : Des. 490,764 S
DATED : June 1, 2004
INVENTOR(S) : Vismara

Page 1 of 1

It is certified that error appears in the above-identified patent and that said Letters Patent is hereby corrected as shown below:

Title page,

Insert Item -- [30] MI2001 O 000629 filed in Italy on September 14, 2001 --

Signed and Sealed this

Twenty-fourth Day of August, 2004

A handwritten signature in black ink on a dotted background. The signature reads "Jon W. Dudas" in a cursive style.

JON W. DUDAS

Director of the United States Patent and Trademark Office