



US00D490761S

(12) **United States Design Patent**
Kataoka

(10) **Patent No.:** **US D490,761 S**

(45) **Date of Patent:** **** Jun. 1, 2004**

(54) **AUTOMOTIVE WHEEL**

(75) **Inventor:** **Tatsuya Kataoka, Ota Gunma (JP)**

(73) **Assignee:** **Kaizer Motor Sports Co, Rancho Dominguez, CA (US)**

(**) **Term:** **14 Years**

(21) **Appl. No.:** **29/191,331**

(22) **Filed:** **Oct. 7, 2003**

(51) **LOC (7) Cl.** **12-16**

(52) **U.S. Cl.** **D12/211**

(58) **Field of Search** **D12/204-213;**
301/37.101, 64.101, 65

(56) **References Cited**

U.S. PATENT DOCUMENTS

- D391,215 S * 2/1998 Cervati D12/209
- D410,618 S * 6/1999 Hussaini et al. D12/211
- D413,851 S * 9/1999 Donikoglu D12/209

- D422,258 S * 4/2000 Hale, Jr. D12/211
- D430,843 S * 9/2000 Sands D12/211
- D466,853 S * 12/2002 Maifrini D12/211
- D482,308 S * 11/2003 Lee D12/211

* cited by examiner

Primary Examiner—Stacia Cadmus

(74) *Attorney, Agent, or Firm*—G. Donald Weber, Jr.

(57) **CLAIM**

The ornamental design for an automotive wheel, as shown and described.

DESCRIPTION

FIG. 1 is a perspective view of the automotive wheel of the instant invention; and,

FIG. 2 is a side elevation view of the automotive wheel of the instant invention.

The broken line showing of environment is for illustrative purposes only and forms no part of the claimed design.

1 Claim, 1 Drawing Sheet

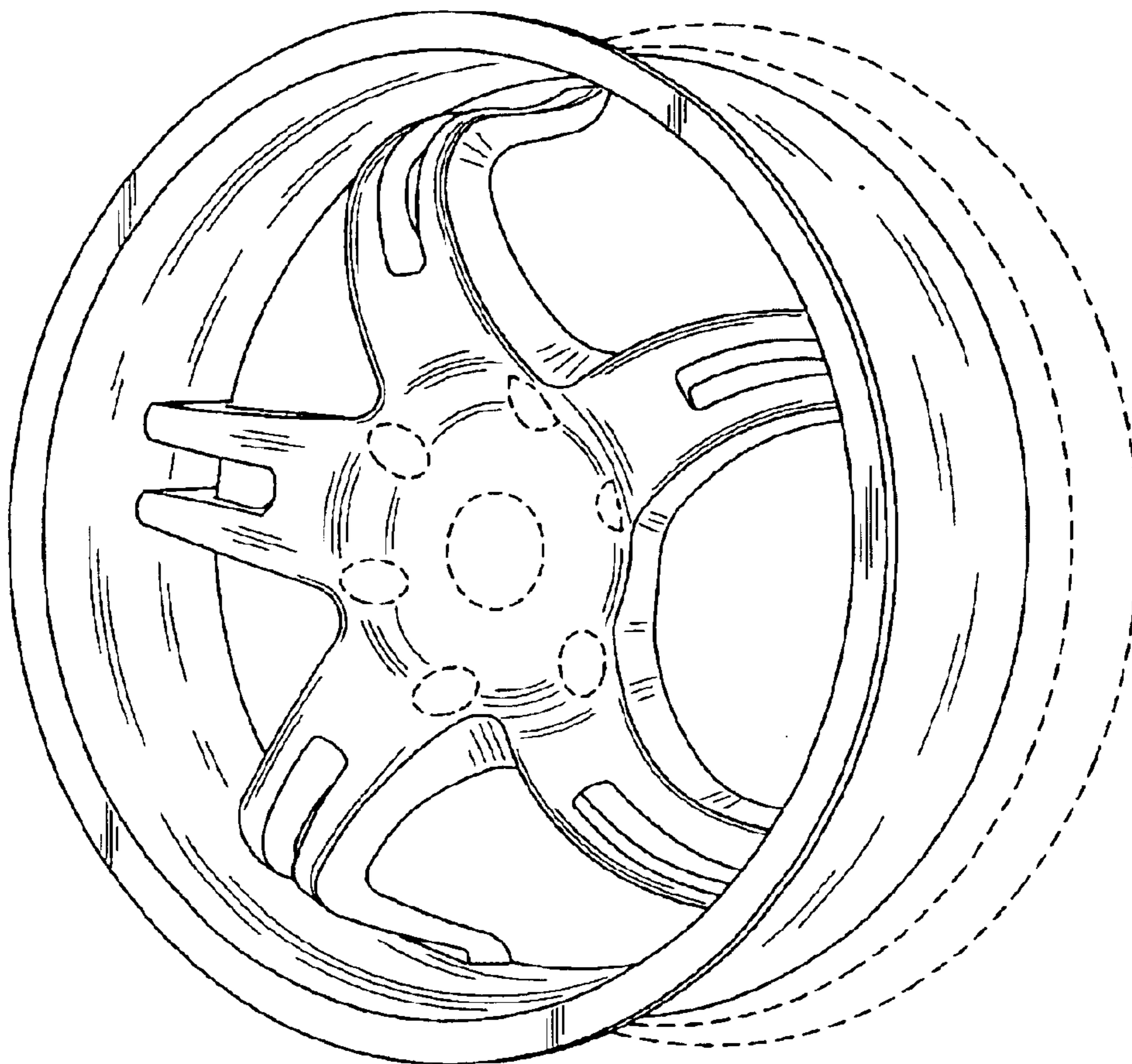


Fig. 1

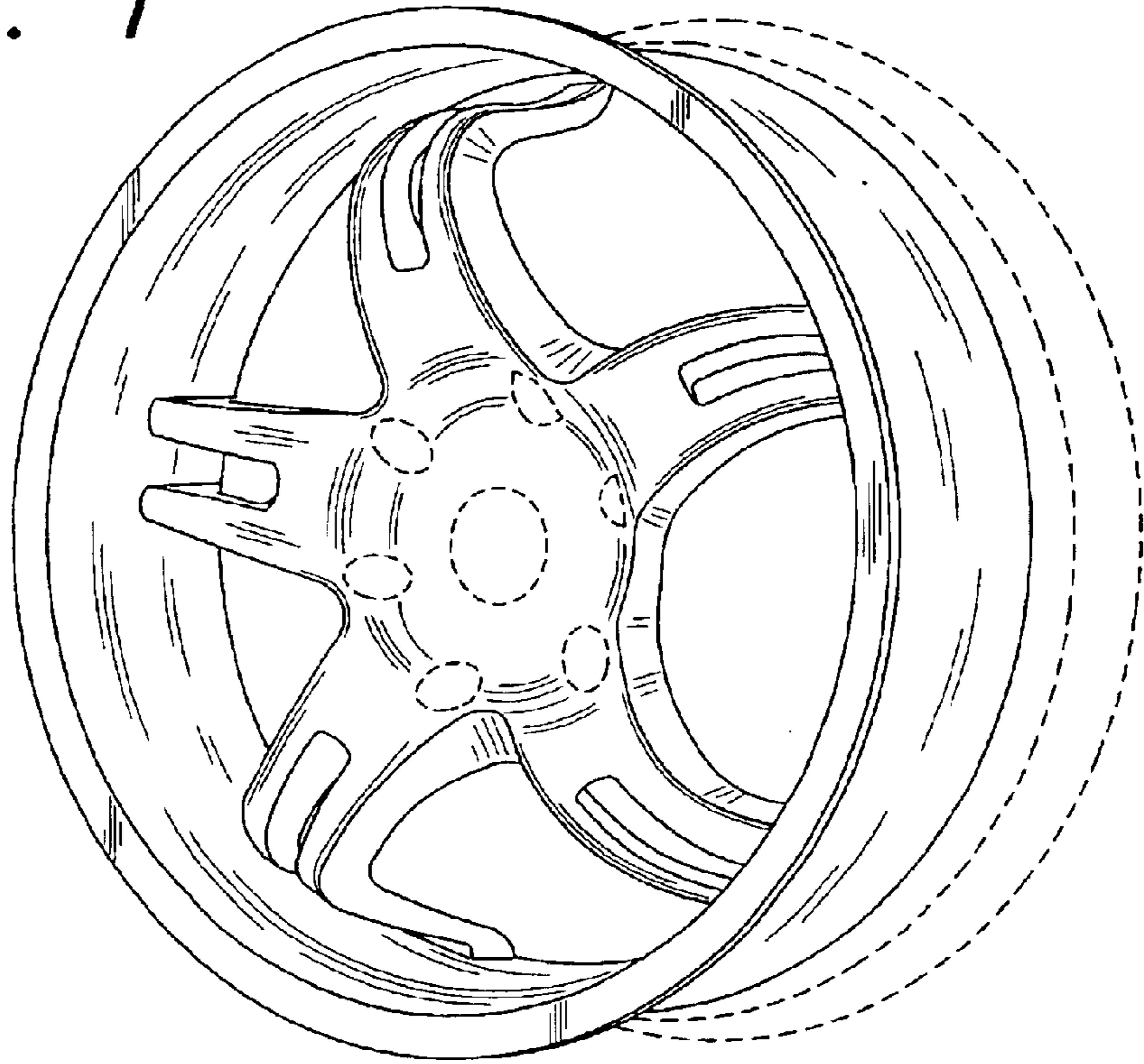


Fig. 2

