



US00D490759S

(12) **United States Design Patent**  
**Iohara**

(10) **Patent No.:** **US D490,759 S**

(45) **Date of Patent:** **\*\* Jun. 1, 2004**

(54) **DASHBOARD PANEL FOR VEHICLE**

(75) **Inventor:** **Takeshi Iohara, Hino (JP)**

(73) **Assignee:** **Hino Jidosha Kabushiki Kaisha,**  
**Tokyo (JP)**

(\*\*) **Term:** **14 Years**

(21) **Appl. No.:** **29/161,198**

(22) **Filed:** **May 28, 2002**

(30) **Foreign Application Priority Data**

Nov. 26, 2001 (JP) ..... 2001-039017

(51) **LOC (7) Cl. .... 12-16**

(52) **U.S. Cl. .... D12/192**

(58) **Field of Search .... D12/192, 114;**  
**D10/98, 123-126; 180/90; 296/70, 190-191;**  
**280/752, DIG. 5**

(56) **References Cited**

**U.S. PATENT DOCUMENTS**

- D249,247 S \* 9/1978 Shotz et al. .... D10/98
- D276,715 S \* 12/1984 Morioka et al. .... D12/192
- D277,176 S \* 1/1985 Komuro ..... D12/192
- D307,127 S \* 4/1990 Simons et al. .... D12/192
- D384,341 S \* 9/1997 Hoffman et al. .... D12/192 X
- D410,608 S \* 6/1999 Kraus ..... D12/192
- D413,294 S \* 8/1999 Lagaay ..... D12/192
- D436,565 S \* 1/2001 Tsay et al. .... D12/192
- D440,924 S \* 4/2001 Bartholomai ..... D12/192
- D440,925 S \* 4/2001 Pfeiffer ..... D12/192
- D450,023 S \* 11/2001 Rayburn ..... D12/192

- D450,283 S \* 11/2001 Rayburn ..... D12/192
- D456,754 S \* 5/2002 Keating ..... D12/192
- D466,062 S \* 11/2002 Tsay et al. .... D12/192
- D467,845 S \* 12/2002 Pfeiffer et al. .... D12/192
- D470,090 S \* 2/2003 Sawabe ..... D12/192
- D472,862 S \* 4/2003 Arai ..... D12/192
- D475,957 S \* 6/2003 Machinek ..... D12/192

\* cited by examiner

*Primary Examiner*—Stacia Cadmus

(74) *Attorney, Agent, or Firm*—Sughrue Mion, PLLC

(57) **CLAIM**

The ornamental design for a dashboard panel for vehicle, as shown and described.

**DESCRIPTION**

FIG. 1 is a front elevational view of a dashboard panel for vehicle showing my new design;  
 FIG. 2 is a right side elevational view thereof, the left side view being a mirror image thereof;  
 FIG. 3 is a top plan view thereof;  
 FIG. 4 is a bottom plan view thereof;  
 FIG. 5 is a rear elevational view thereof;  
 FIG. 6 is a front elevational view of a dashboard panel for vehicle with a transparent cover according to a second embodiment.  
 FIG. 7 is a right side view thereof, the left side view being a mirror image thereof; and,  
 FIG. 8 is a top plan view thereof.  
 The elements shown in broken lines form no part of the claimed design.

**1 Claim, 3 Drawing Sheets**

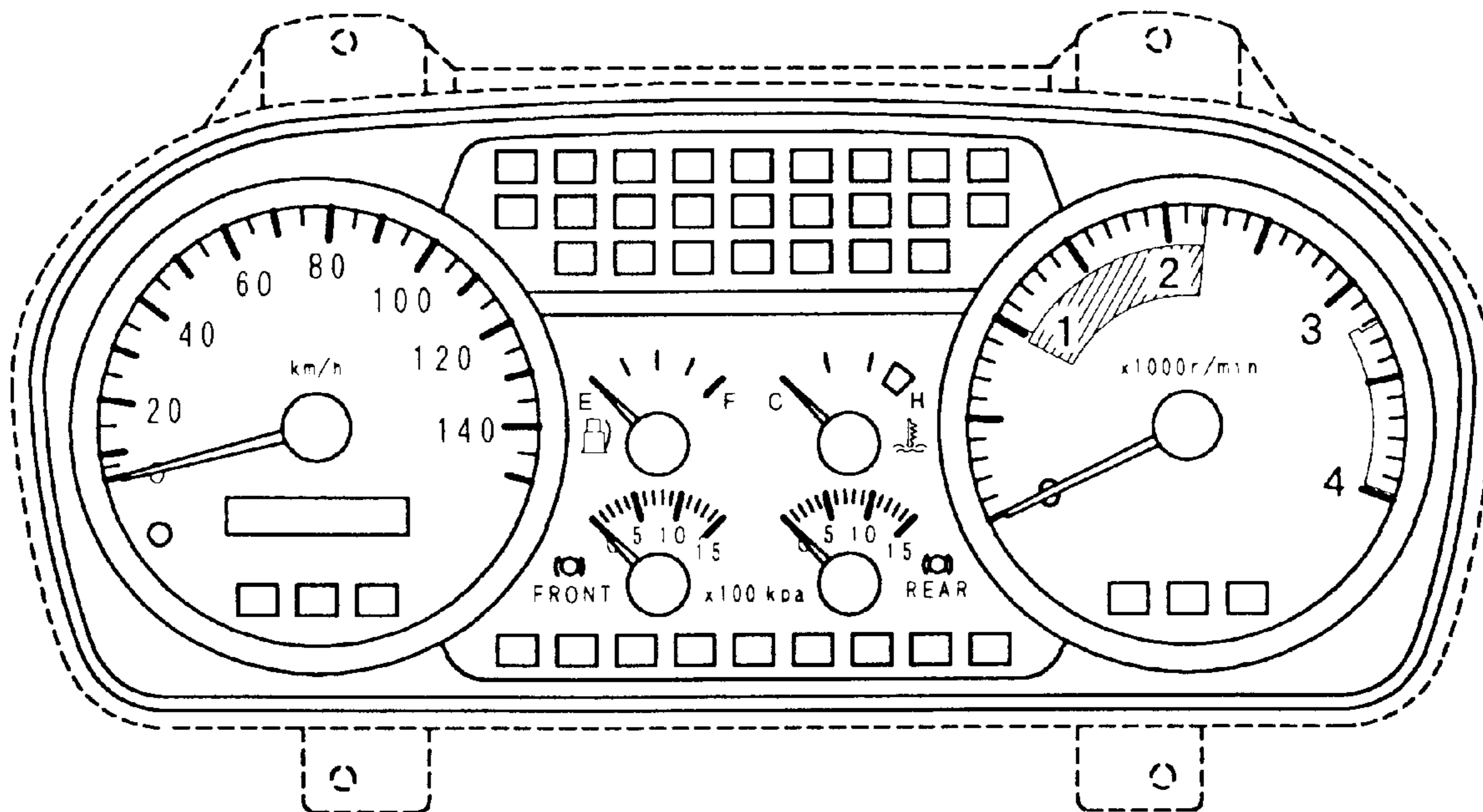


FIG. 1

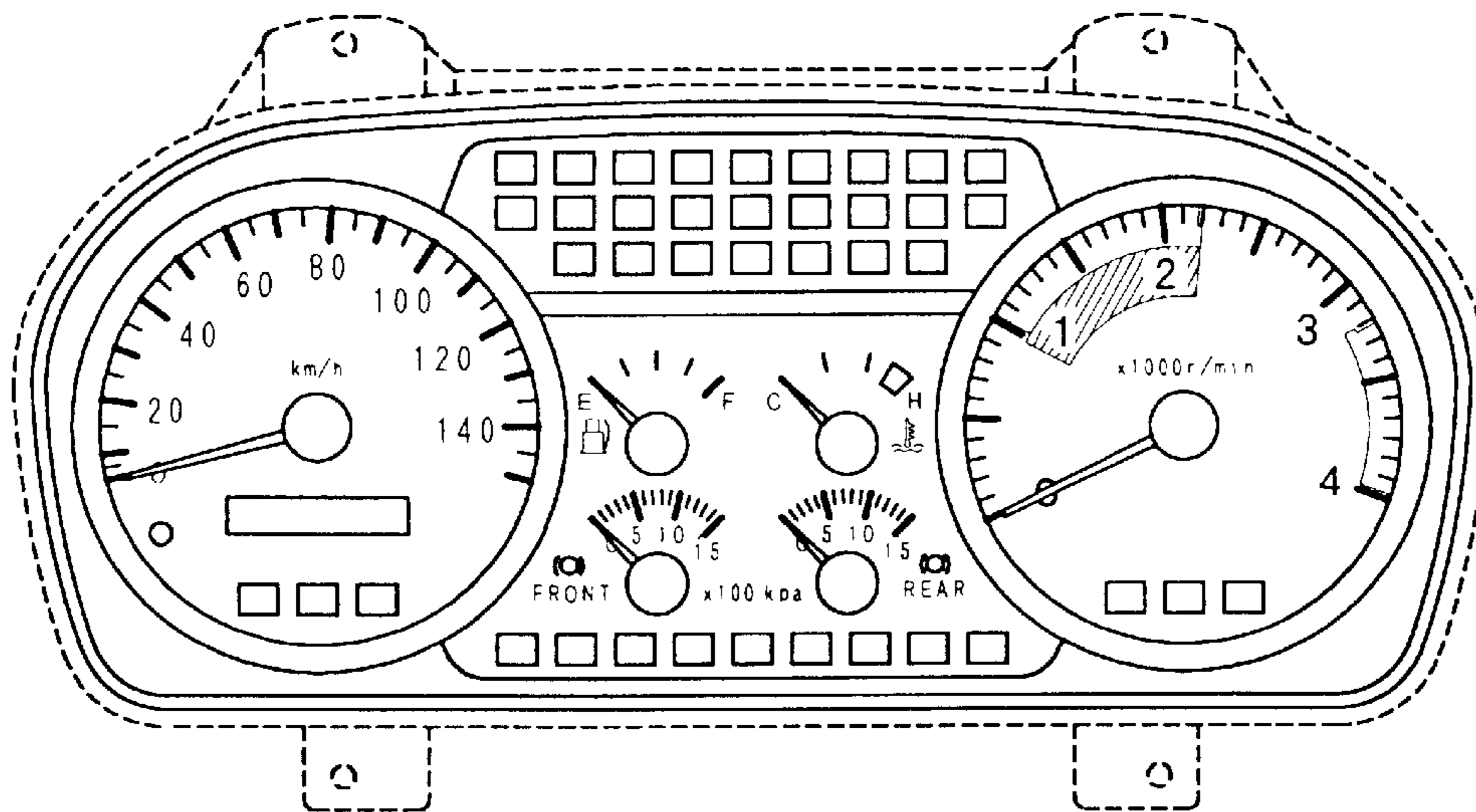


FIG. 2

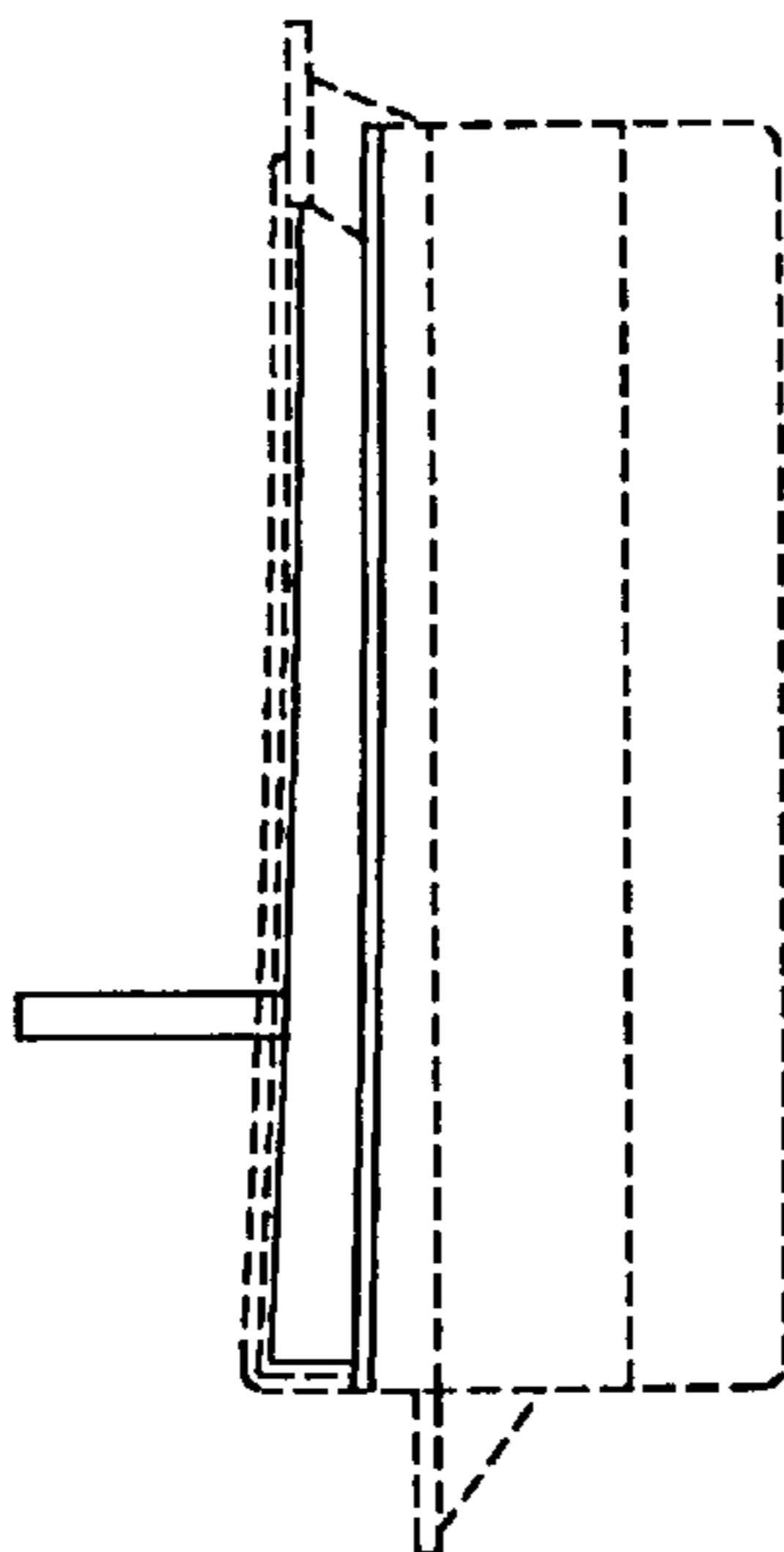
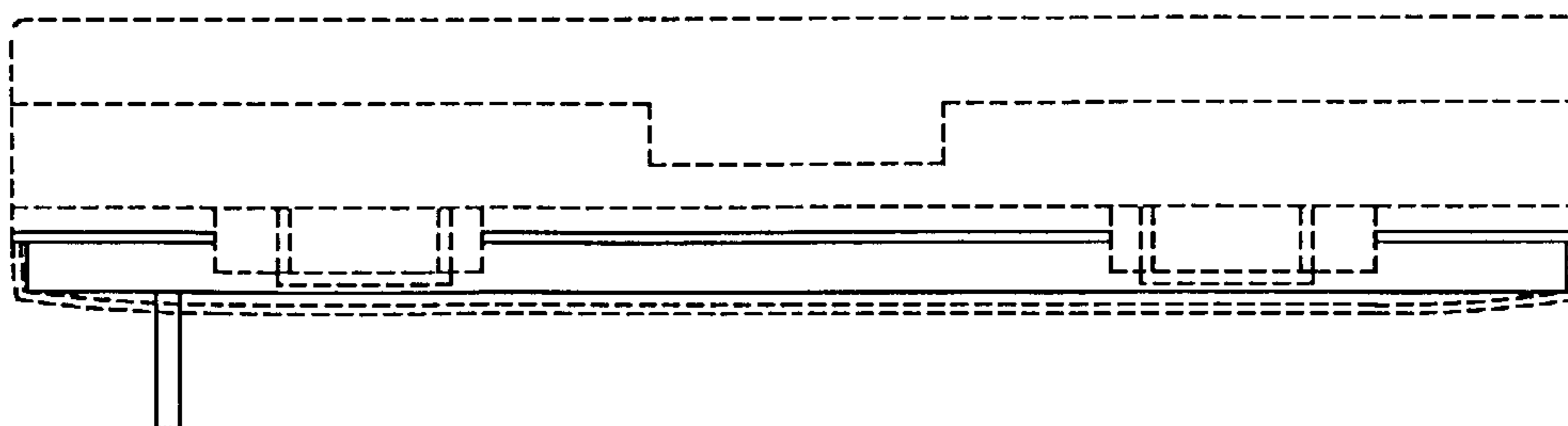
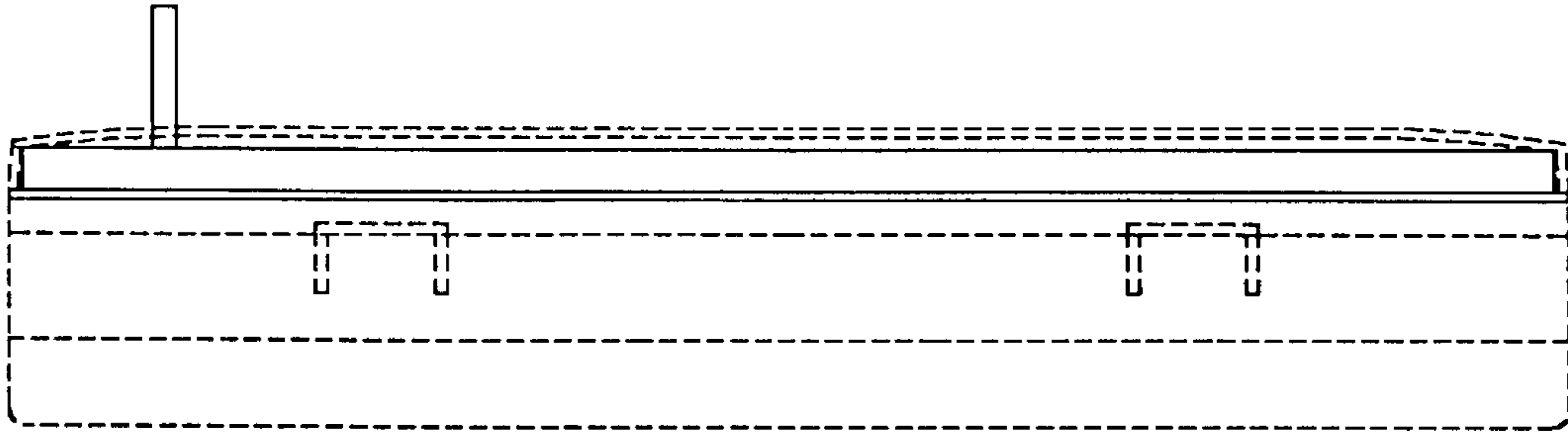


FIG. 3



*FIG. 4*



*FIG. 5*

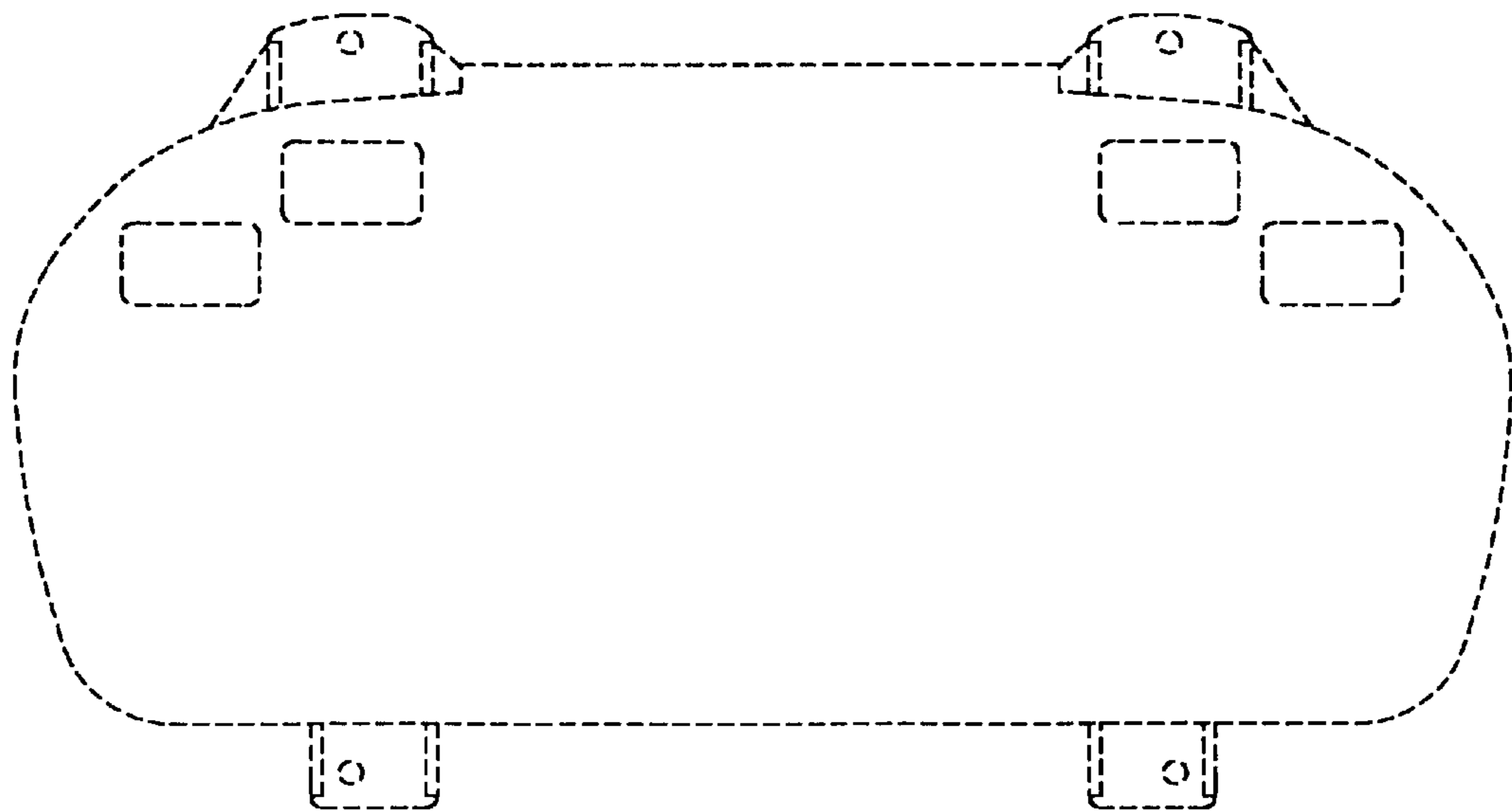


FIG. 6

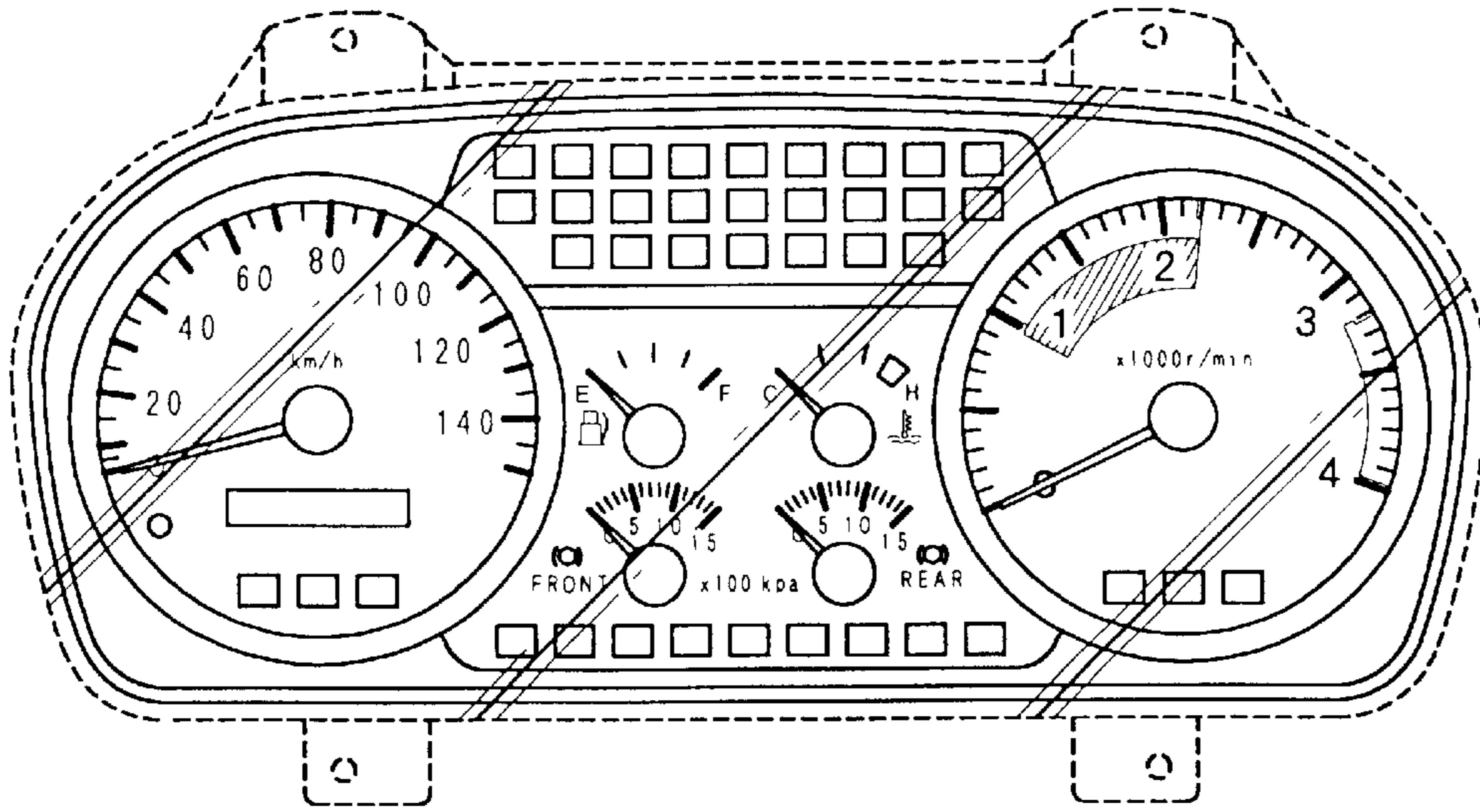


FIG. 7

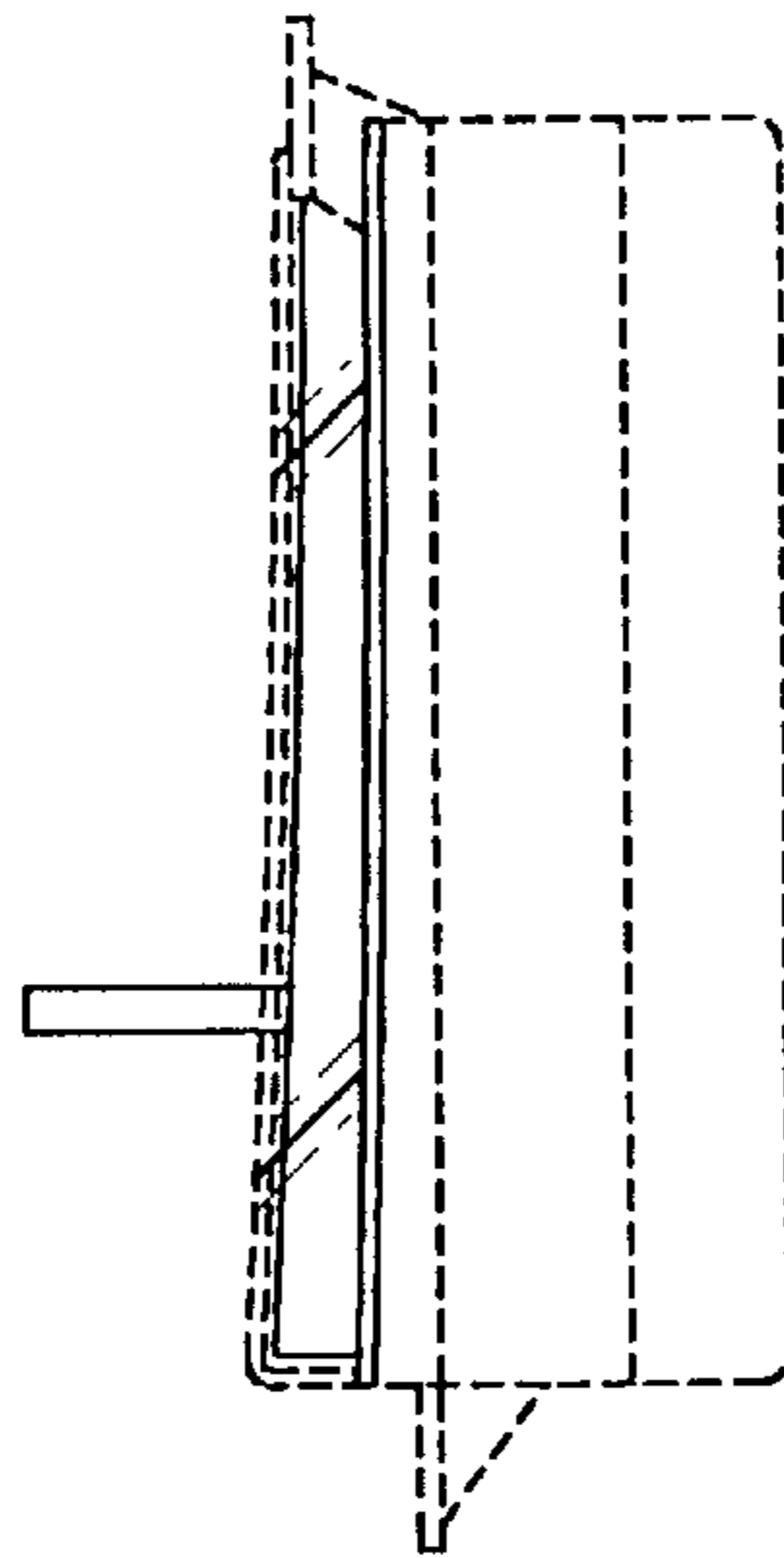


FIG. 8

