



US00D490753S

(12) **United States Design Patent**
Tsai

(10) **Patent No.:** **US D490,753 S**

(45) **Date of Patent:** **** Jun. 1, 2004**

(54) **ELECTRIC MOBILITY SCOOTER**

D460,028 S * 7/2002 Wu et al. D12/128
D479,976 S * 9/2003 Andersson D8/354

(75) Inventor: **Chi-Chen Tsai**, Kaohsiung (TW)

* cited by examiner

(73) Assignee: **Kwang Yang Motor Co., Ltd.**,
Kaohsiung (TW)

Primary Examiner—Marcus A. Jackson
(74) *Attorney, Agent, or Firm*—Leong C. Lei

(**) Term: **14 Years**

(57) **CLAIM**

(21) Appl. No.: **29/189,185**

The ornamental design for An electric mobility scooter, as shown and described.

(22) Filed: **Sep. 2, 2003**

DESCRIPTION

(51) **LOC (7) Cl.** **12-12**

(52) **U.S. Cl.** **D12/128**

(58) **Field of Search** D12/128, 133;
280/250.1, 304.1; 180/6.5, 65.1, 907, 908;
297/DIG. 4

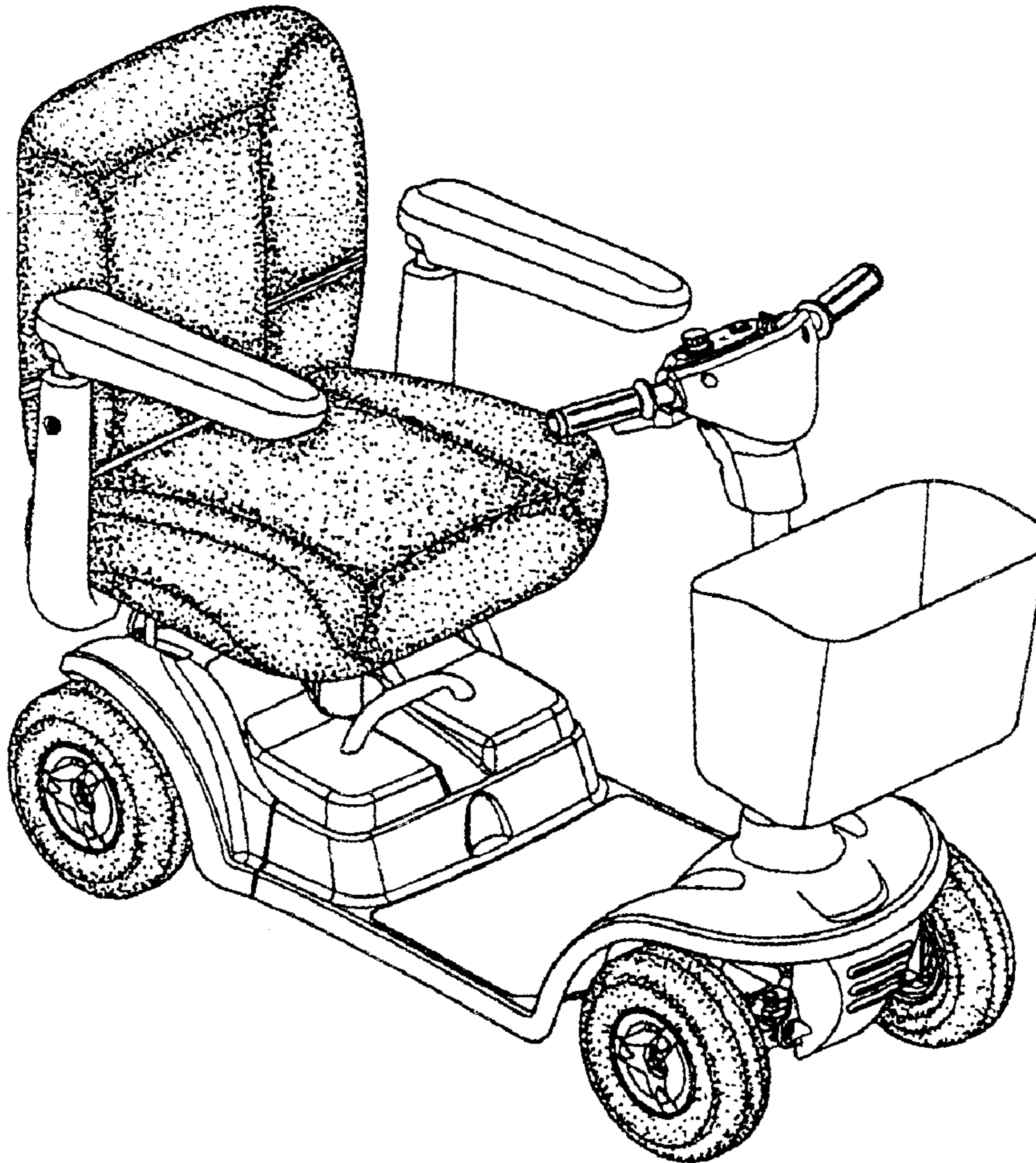
FIG. 1 is perspective view of An electric mobility scooter showing my new design;
FIG. 2 is a front side elevation view thereof;
FIG. 3 is a rear side elevation view thereof;
FIG. 4 is a left side elevation view thereof;
FIG. 5 is a right side elevation view thereof;
FIG. 6 is a top plan view thereof; and,
FIG. 7 is a bottom plan view thereof.

(56) **References Cited**

U.S. PATENT DOCUMENTS

D403,279 S * 12/1998 Wu D12/128
D444,421 S * 7/2001 Cheng D12/128

1 Claim, 4 Drawing Sheets



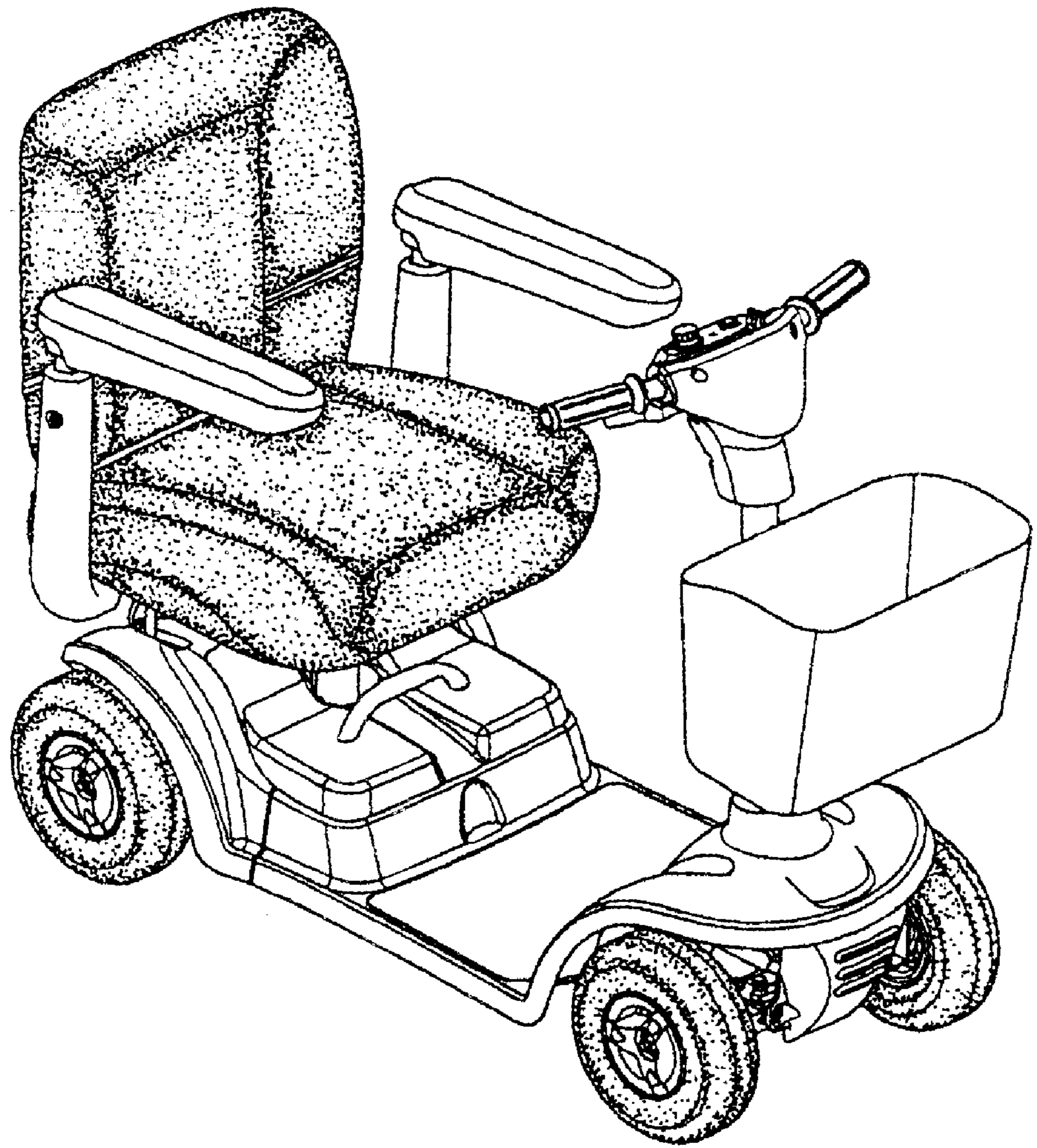


FIG. 1

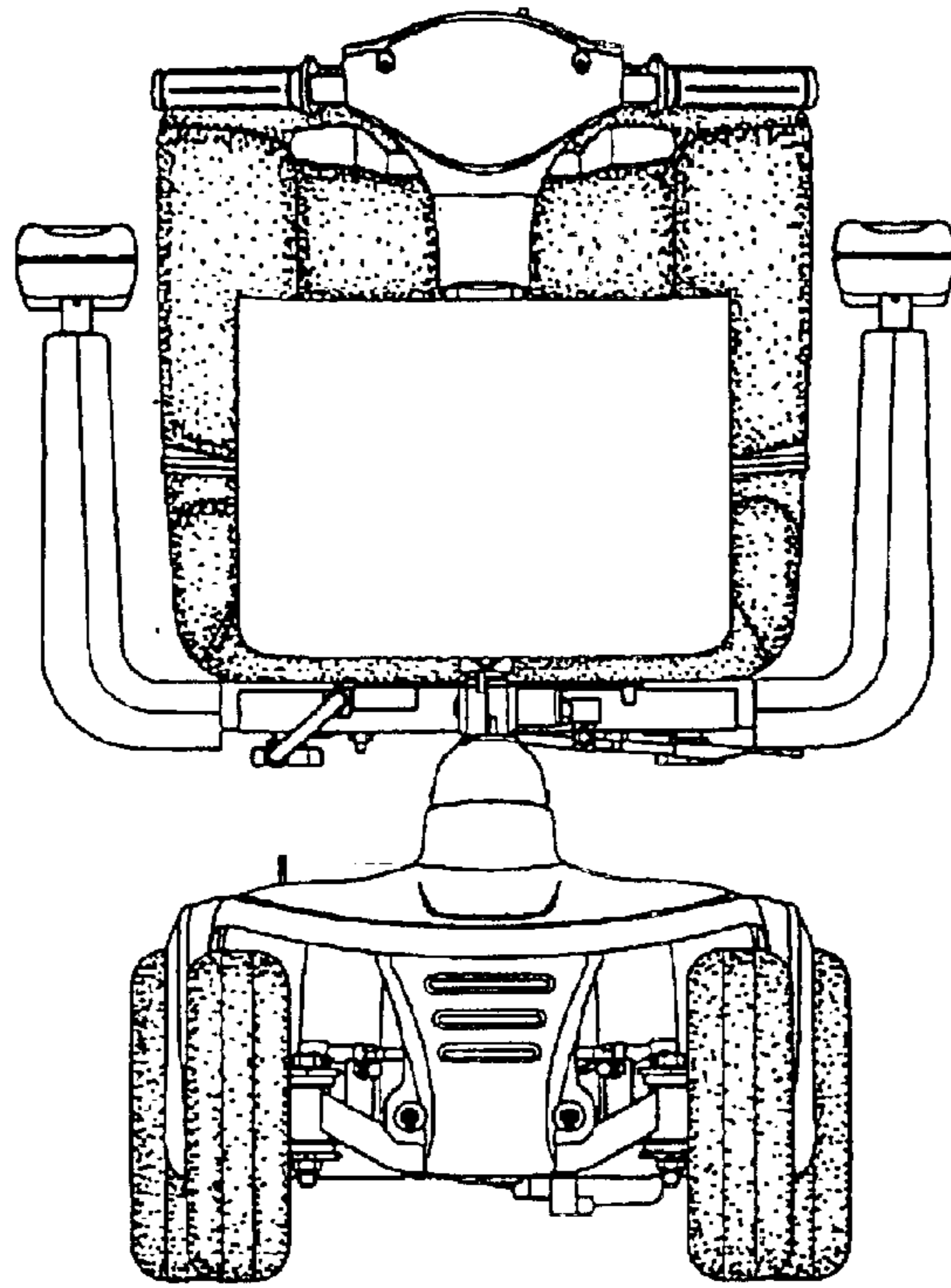


FIG. 2

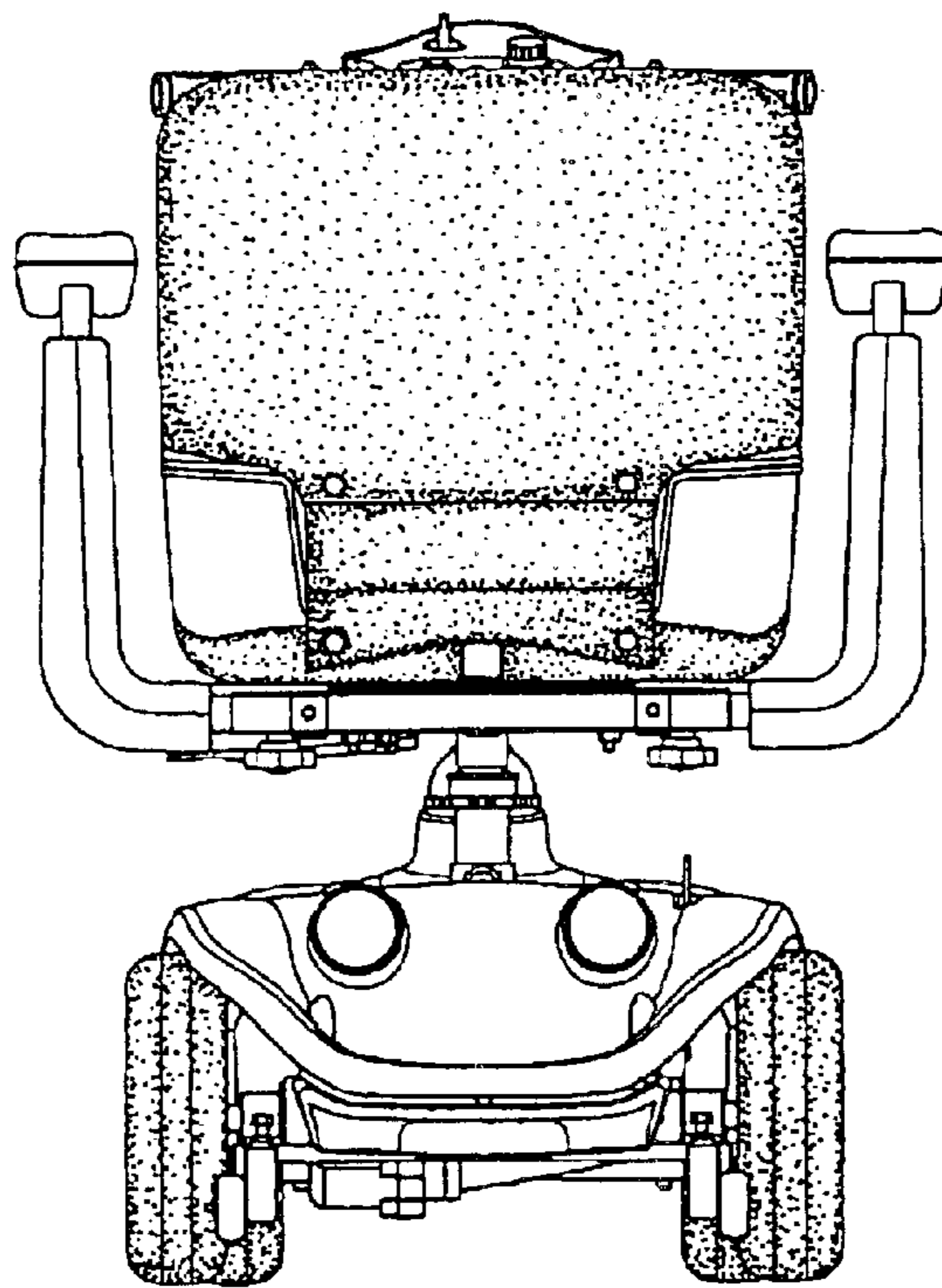


FIG. 3

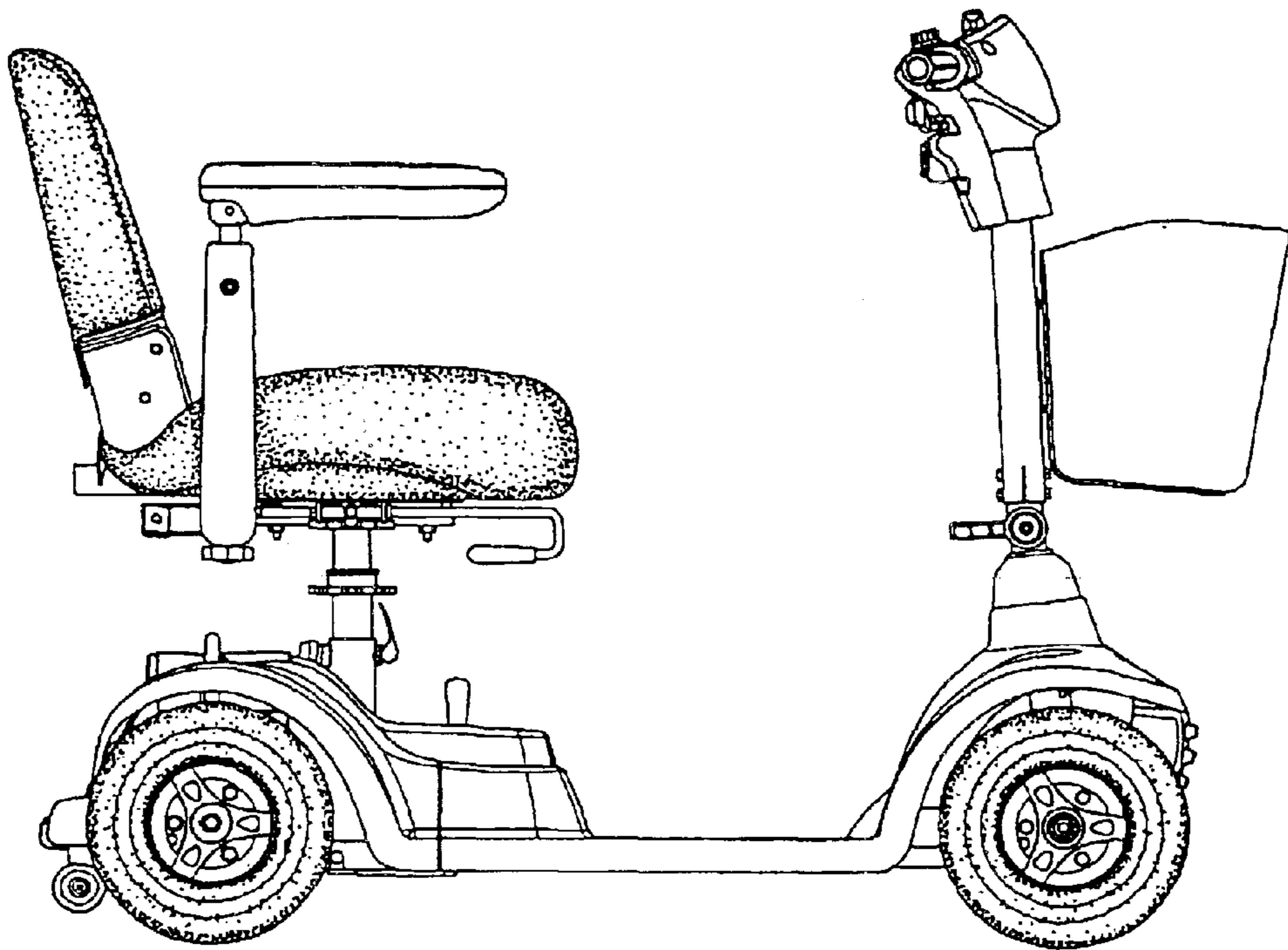


FIG. 4

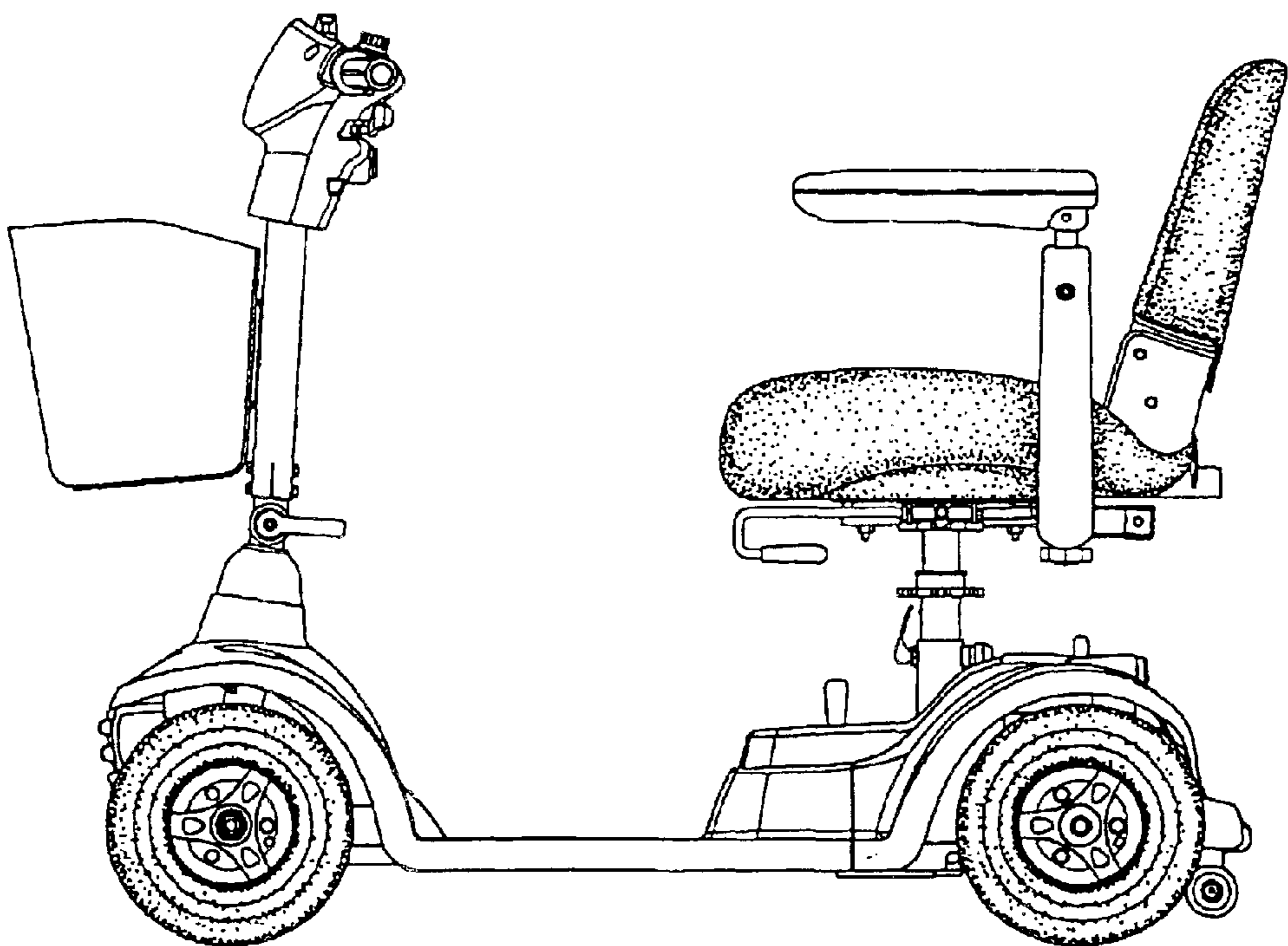


FIG. 5

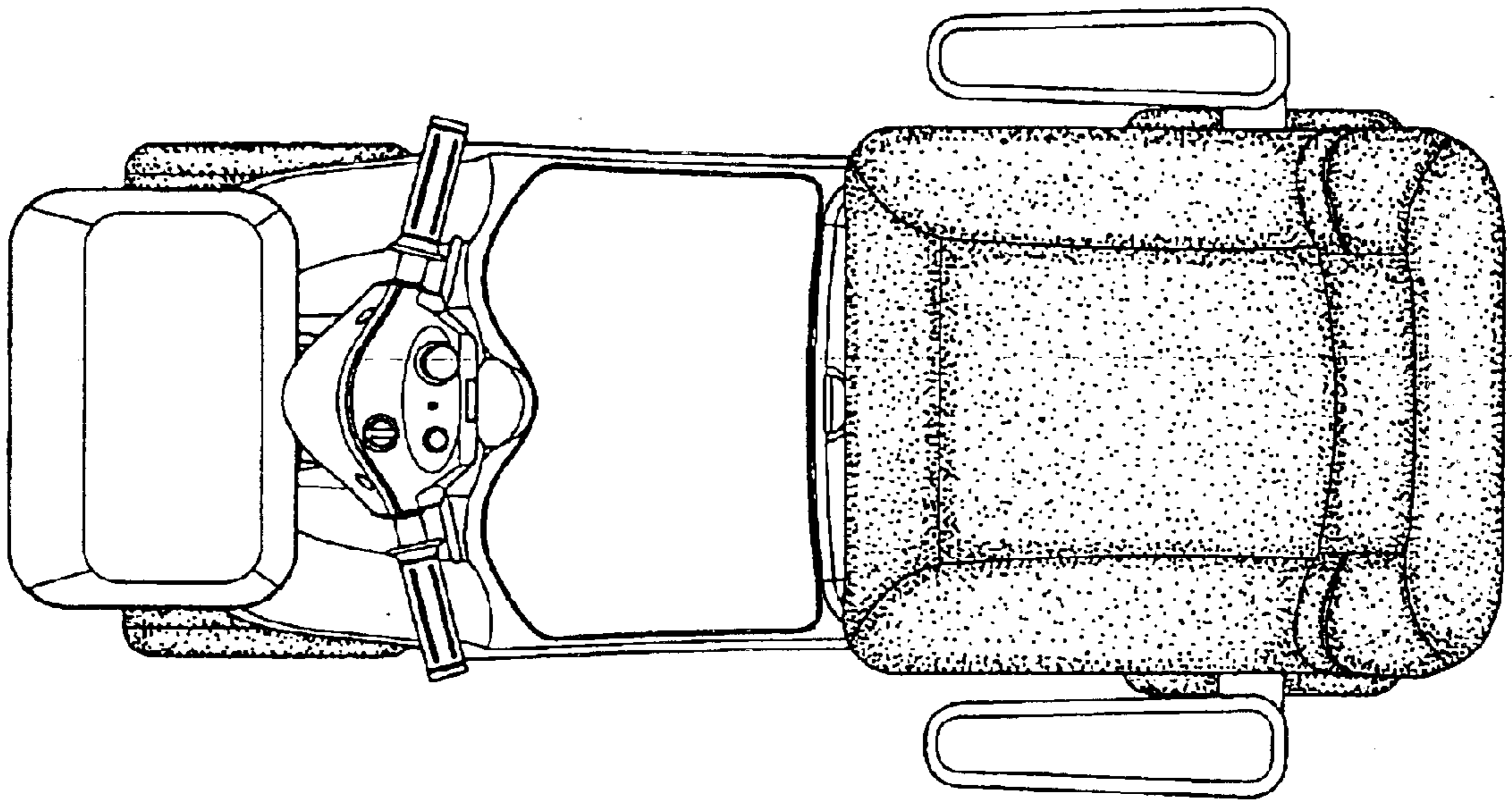


FIG. 6

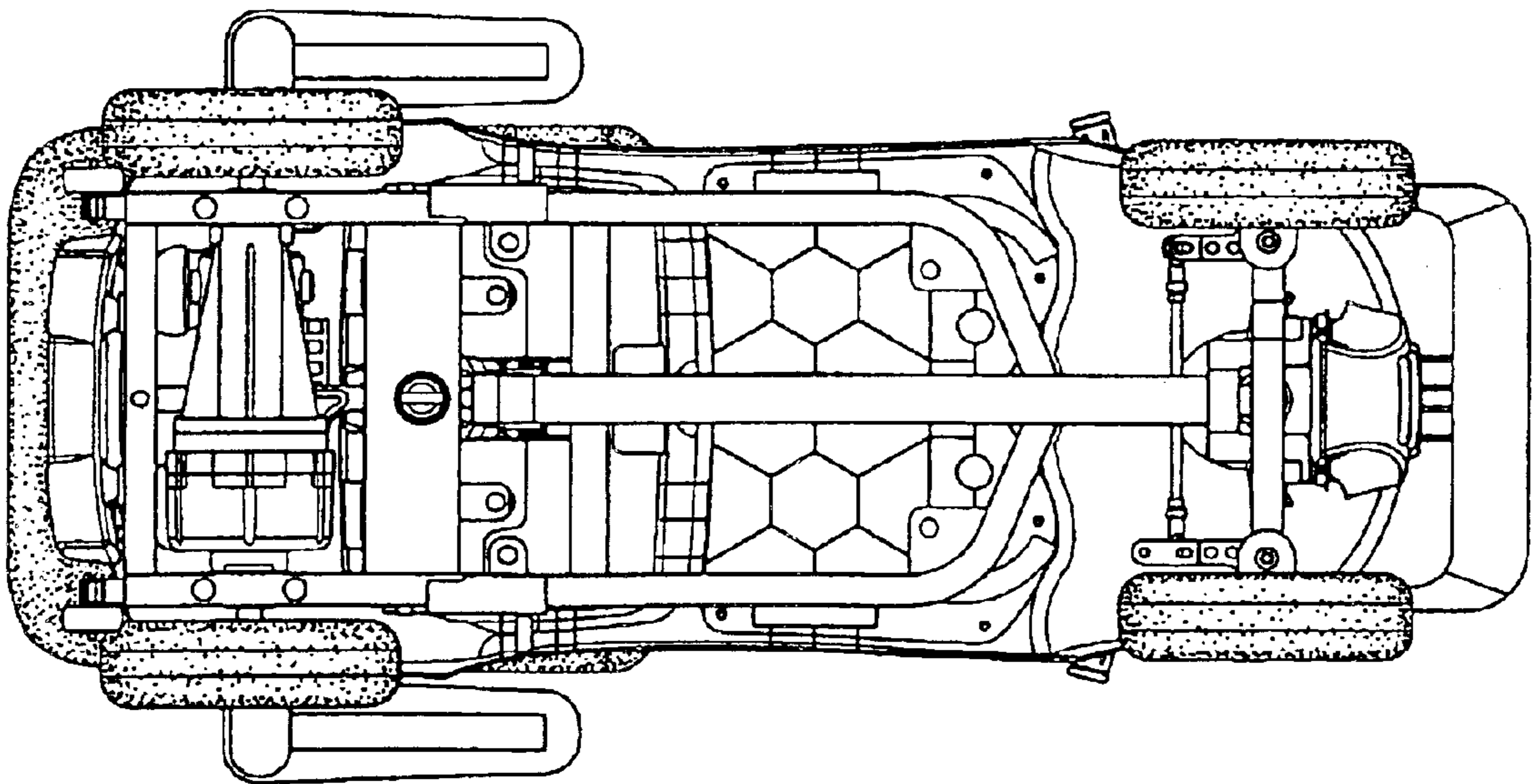


FIG. 7