



US00D490752S

(12) **United States Design Patent**  
**Meyers**

(10) **Patent No.:** **US D490,752 S**  
(45) **Date of Patent:** **\*\* Jun. 1, 2004**

(54) **ORNAMENTAL HOUSING**

(75) Inventor: **David Meyers**, Kaysville, UT (US)

(73) Assignee: **SBS Enterprises, LLC**, Alpine, UT (US)

(\*\*) Term: **14 Years**

(21) Appl. No.: **29/187,556**

(22) Filed: **Jul. 31, 2003**

**Related U.S. Application Data**

(62) Division of application No. 29/157,515, filed on Mar. 19, 2002.

(51) **LOC (7) Cl.** ..... **12-11**

(52) **U.S. Cl.** ..... **D12/126**

(58) **Field of Search** ..... D12/107, 110,  
D12/111, 114, 122, 126, 400; D21/423,  
765; 180/11, 65.1, 218-224, 228, 342;  
280/87.042, 287, 296

(56) **References Cited**

**U.S. PATENT DOCUMENTS**

3,903,980 A	9/1975	Darras
4,014,402 A	3/1977	Muto
4,821,832 A	4/1989	Patmont
5,020,621 A	6/1991	Martin
5,127,488 A	7/1992	Shanahan
5,491,390 A	2/1996	McGreen
5,494,128 A	2/1996	Witthaus
5,495,904 A	3/1996	Zwaan et al.
5,660,242 A	8/1997	Witthaus
5,775,452 A	7/1998	Patmont
5,927,420 A	7/1999	Karrington
5,950,754 A	9/1999	Ondrish, Jr.
5,975,229 A	11/1999	Hosoda
6,012,539 A	1/2000	Patmont
6,062,328 A	5/2000	Campbell et al.
6,095,274 A	8/2000	Patmont
D438,825 S	3/2001	Tsuboi et al.
6,227,324 B1	5/2001	Sauve

6,273,205 B1	8/2001	Tsai
6,302,230 B1	10/2001	Kamen et al.
6,311,998 B1	11/2001	Wang et al.
6,343,667 B2	2/2002	Sauve
6,345,678 B1	2/2002	Chang
6,347,681 B1	2/2002	Patmont et al.
2001/0035308 A1	11/2001	Sauve
2002/0000339 A1	1/2002	Tsai
2002/0079855 A1	6/2002	Parks

**OTHER PUBLICATIONS**

www.soosung.com Forklift products, pp. 1-4, Jan. 23, 2002.  
www.1-christmas-presents.com/xing.html Xing Motor Drive, p. 1, Jan. 21, 2002.  
Declaration of John T. Paskett.

*Primary Examiner*—Alan P. Douglas

*Assistant Examiner*—Linda Brooks

(74) *Attorney, Agent, or Firm*—Clayton, Howarth & Cannon, P.C.

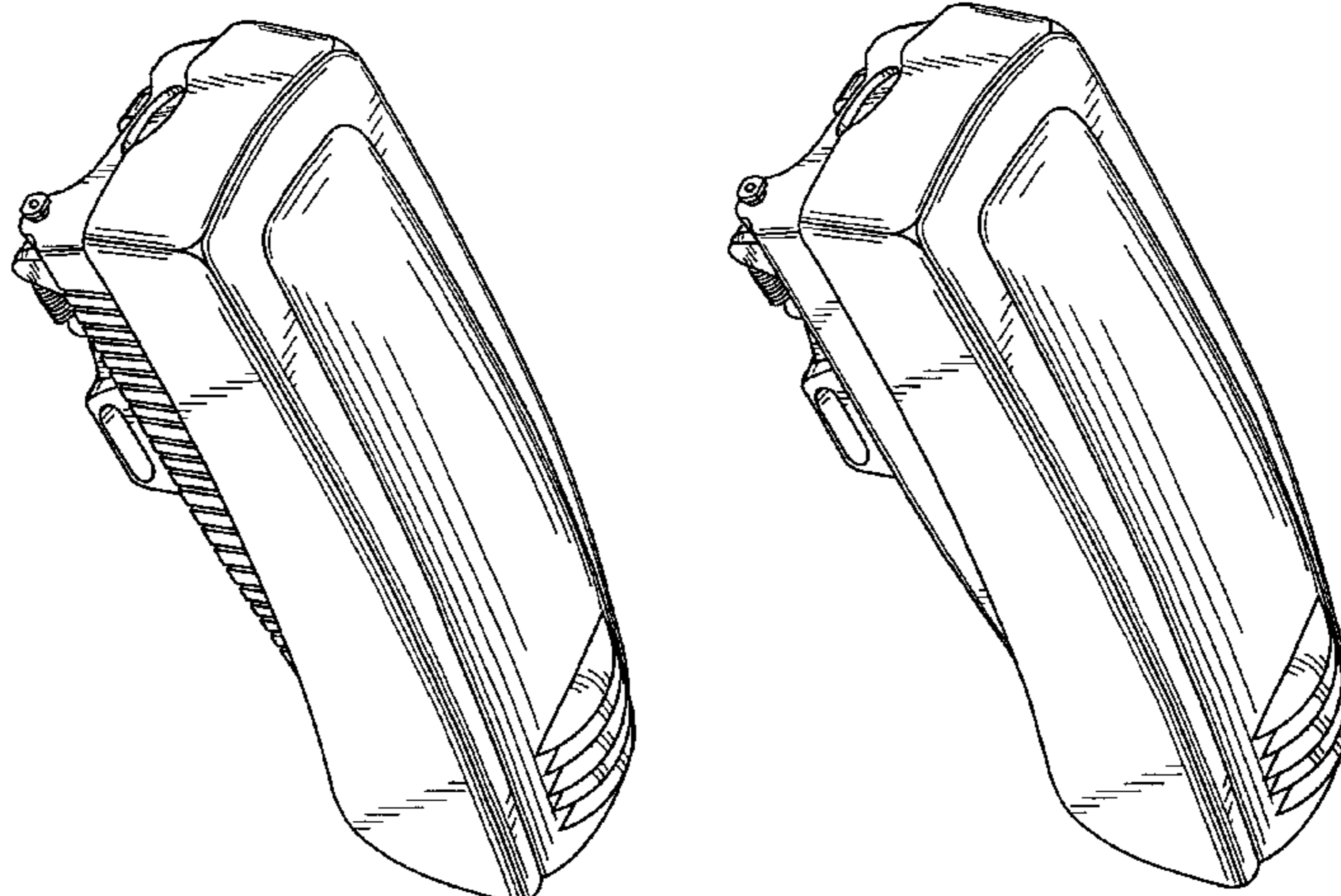
(57) **CLAIM**

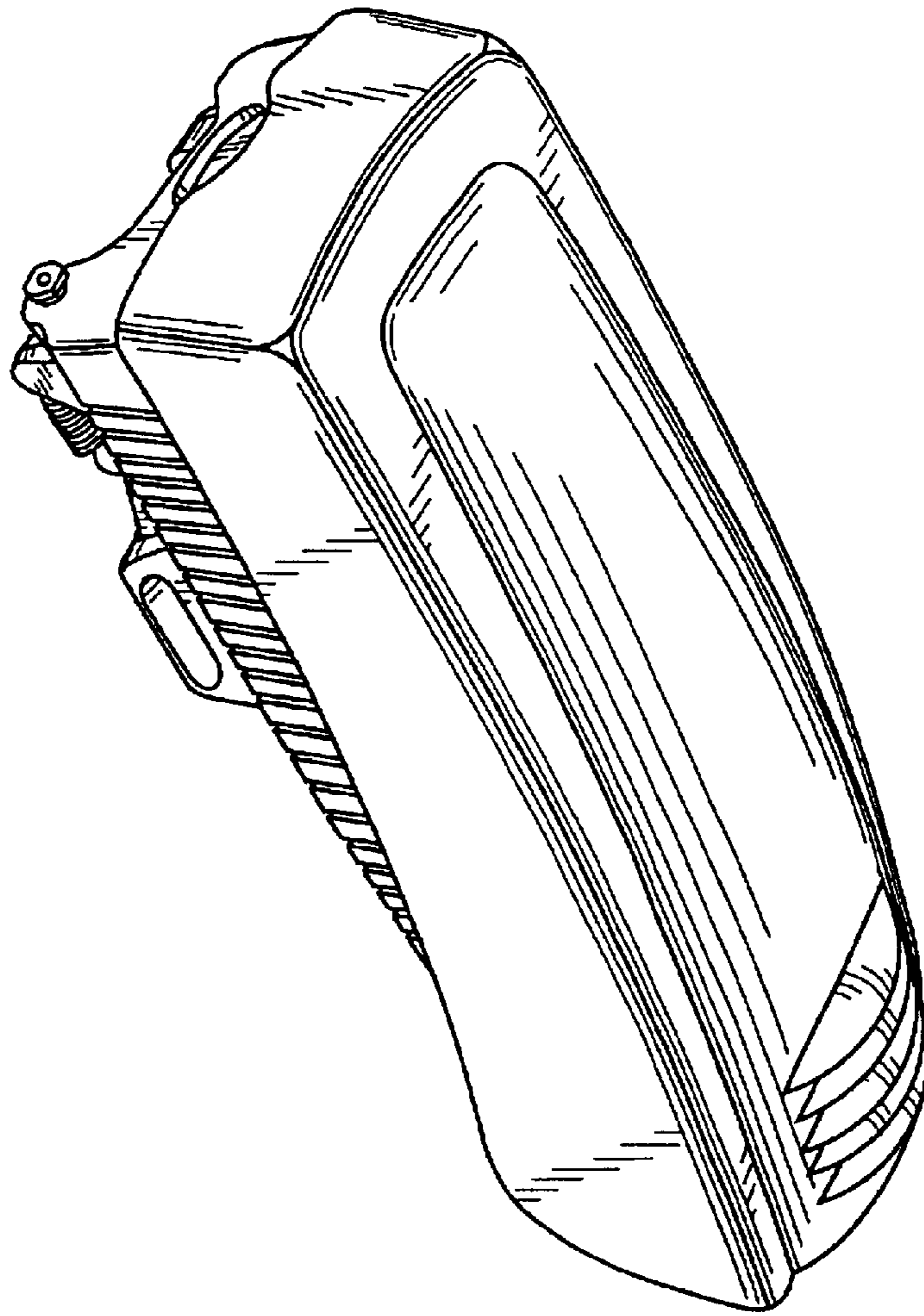
I claim the ornamental design for an ornamental housing, as shown and described.

**DESCRIPTION**

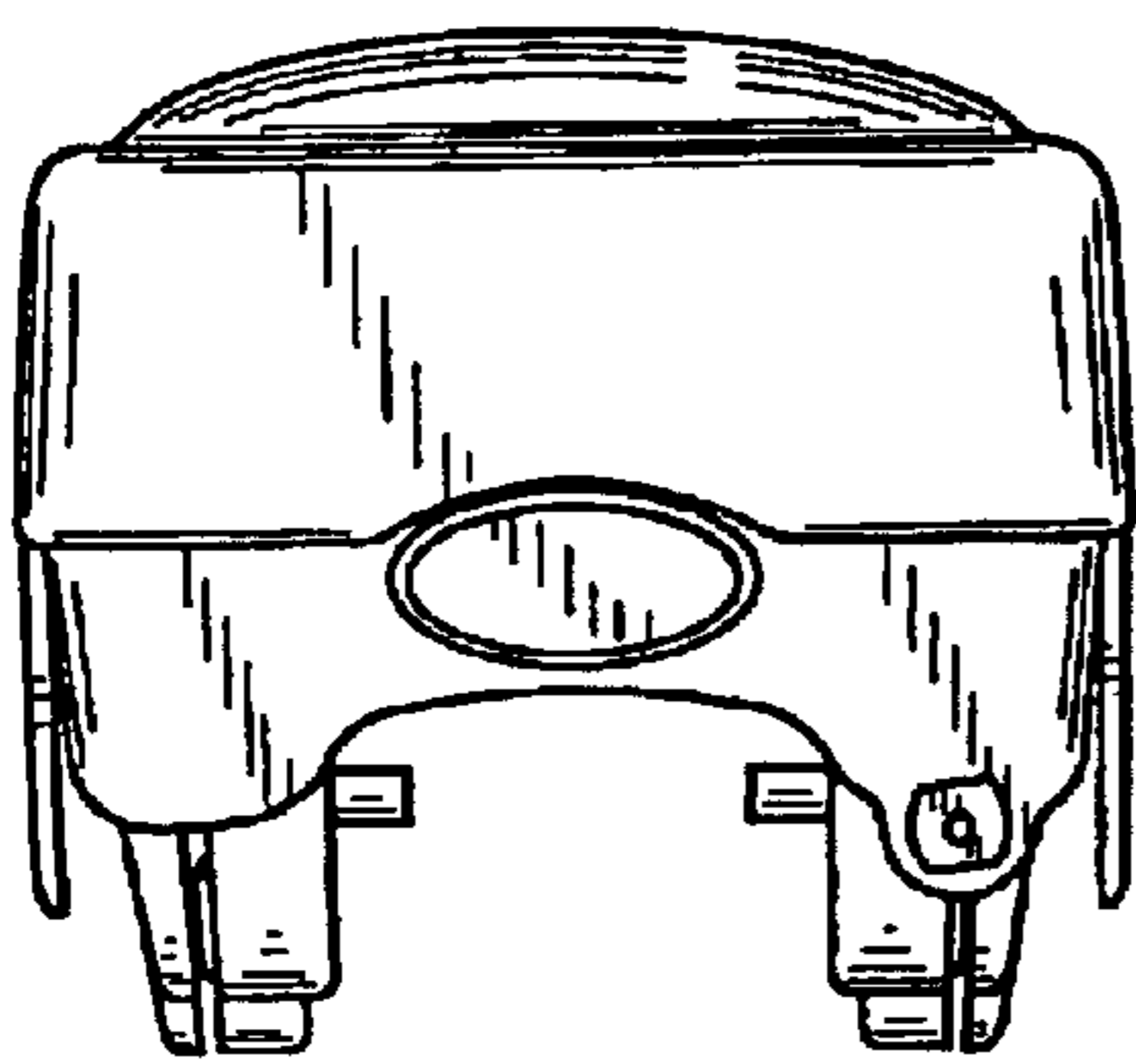
FIG. 1 is a perspective view thereof;  
FIG. 2 is a top view thereof;  
FIG. 3 is a bottom view thereof;  
FIG. 4 is a right side view thereof;  
FIG. 5 is a left side view thereof;  
FIG. 6 is a front view thereof;  
FIG. 7 is a rear view thereof;  
FIG. 8 is a perspective view of a second, alternative embodiment of the housing of FIG. 1 in which;  
FIG. 9 is a top view of the housing of FIG. 8;  
FIG. 10 is a bottom view of the housing of FIG. 8;  
FIG. 11 is a right side view of the housing of FIG. 8;  
FIG. 12 is a left side view of the housing of FIG. 8;  
FIG. 13 is a front view of the housing of FIG. 8; and,  
FIG. 14 is a rear view of the housing of FIG. 8.

**1 Claim, 6 Drawing Sheets**

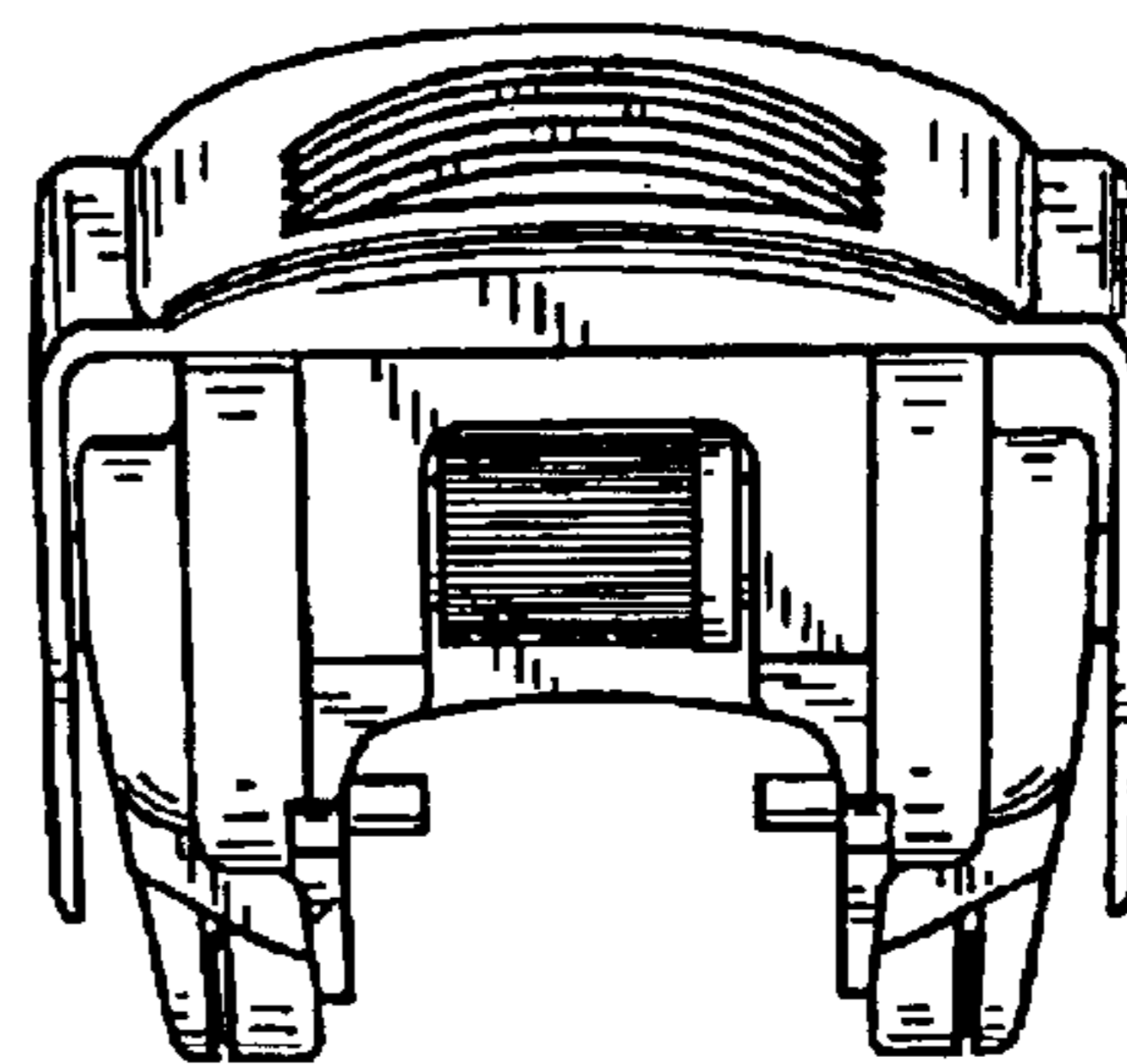




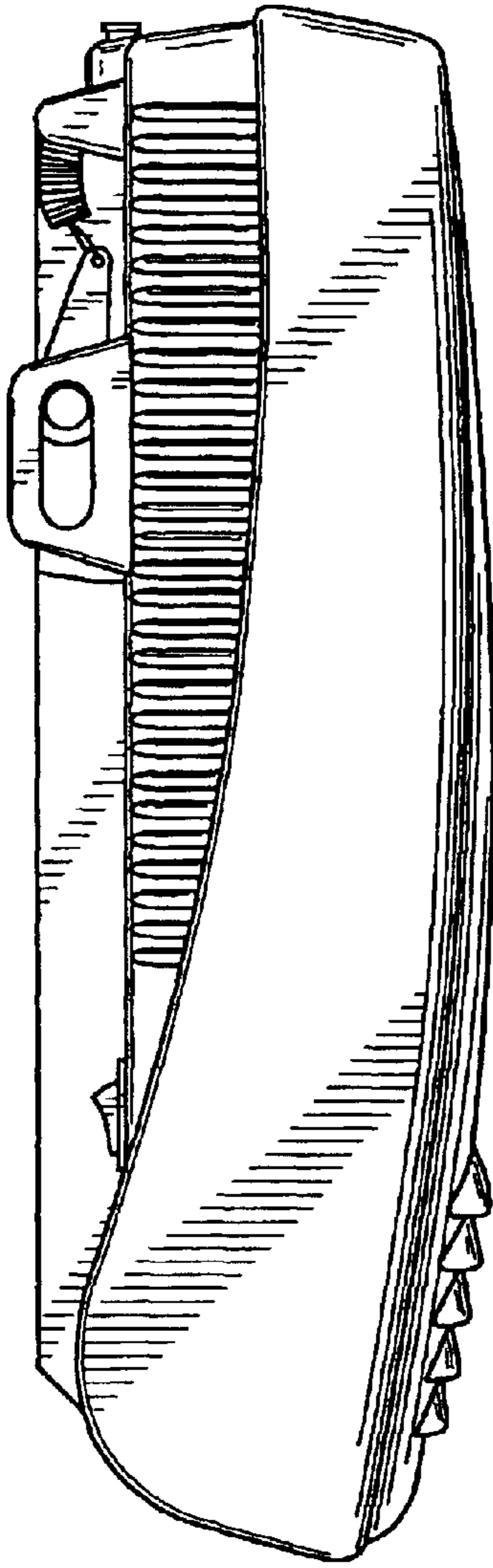
**Fig. 1**



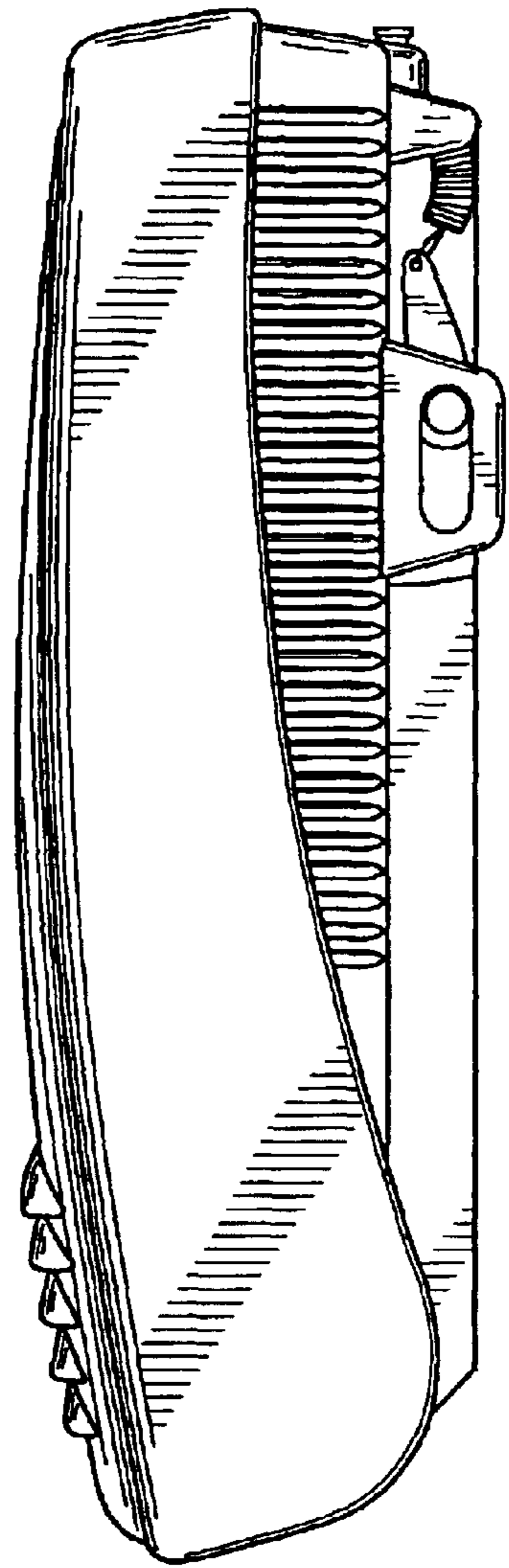
**Fig. 2**



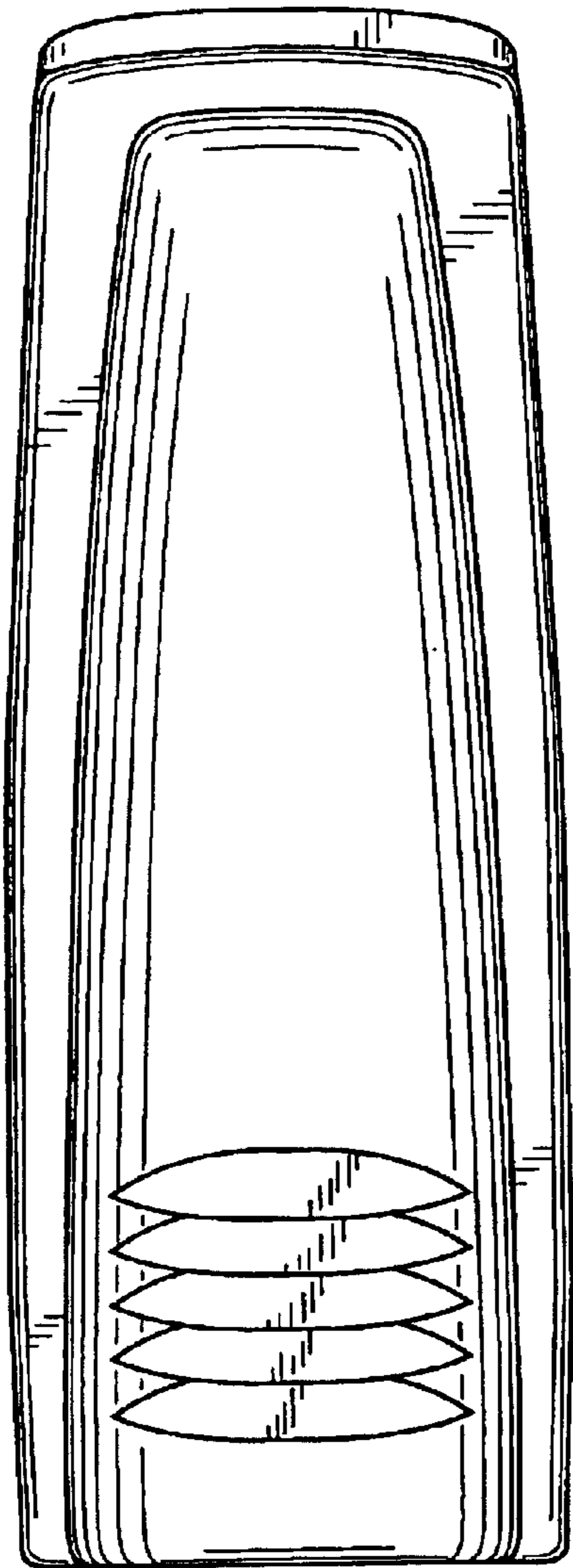
**Fig. 3**



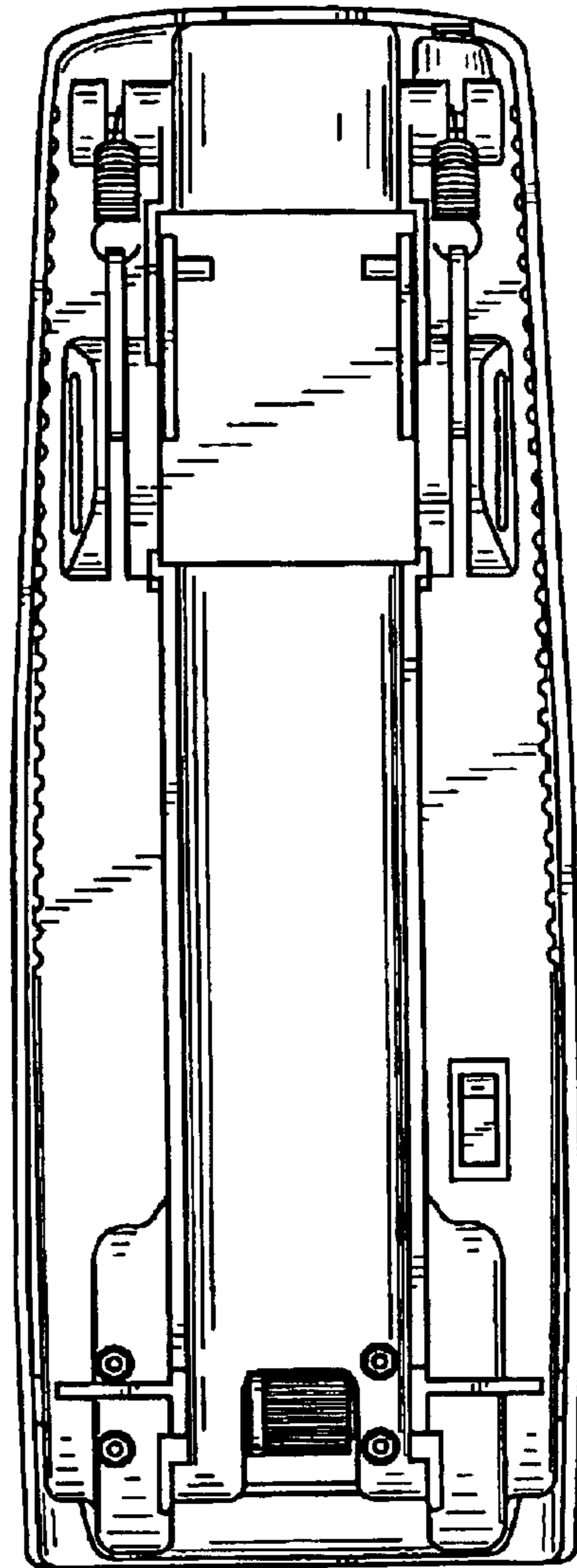
**Fig. 4**



**Fig. 5**

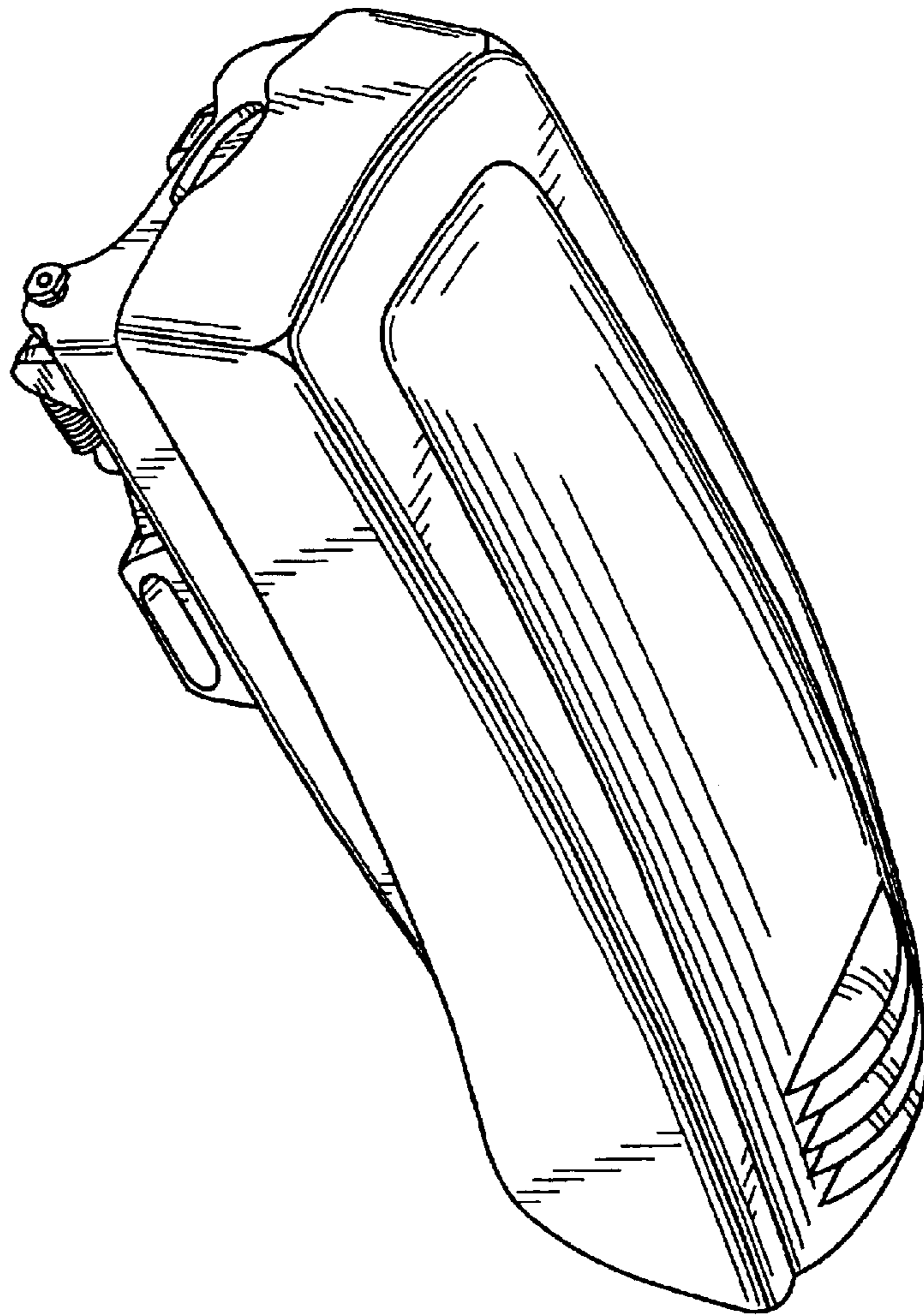


**Fig. 6**

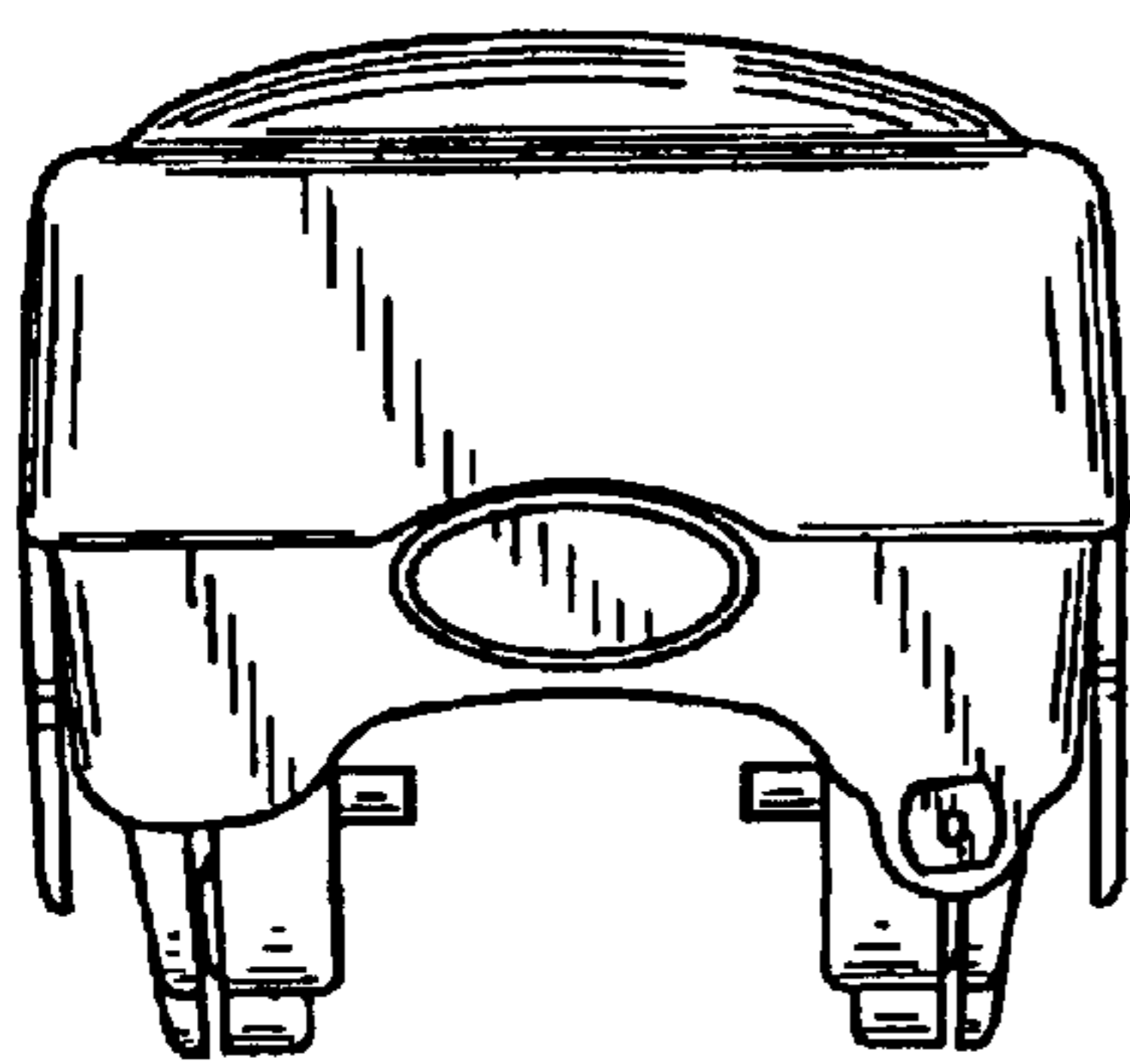


**Fig. 7**

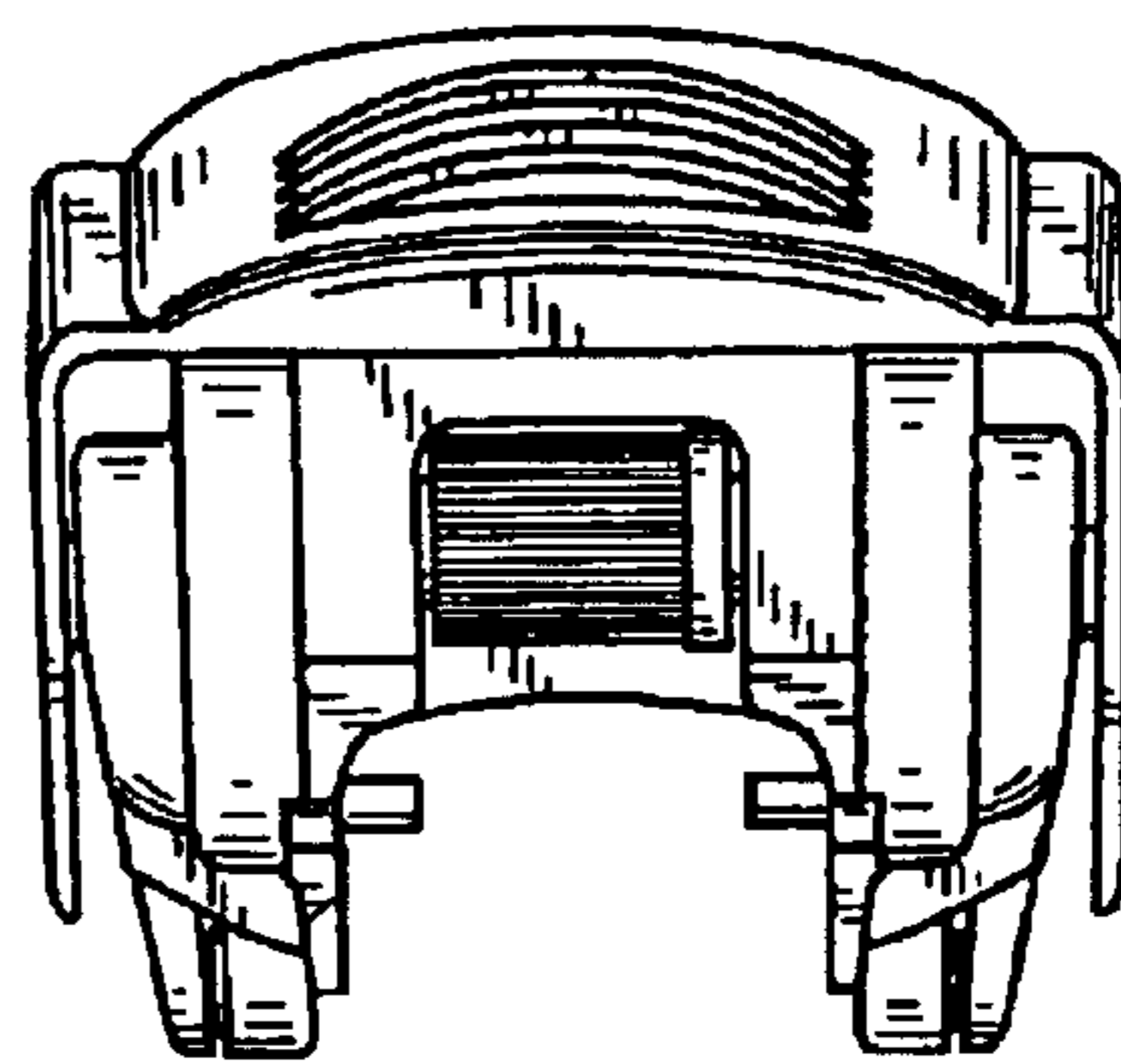




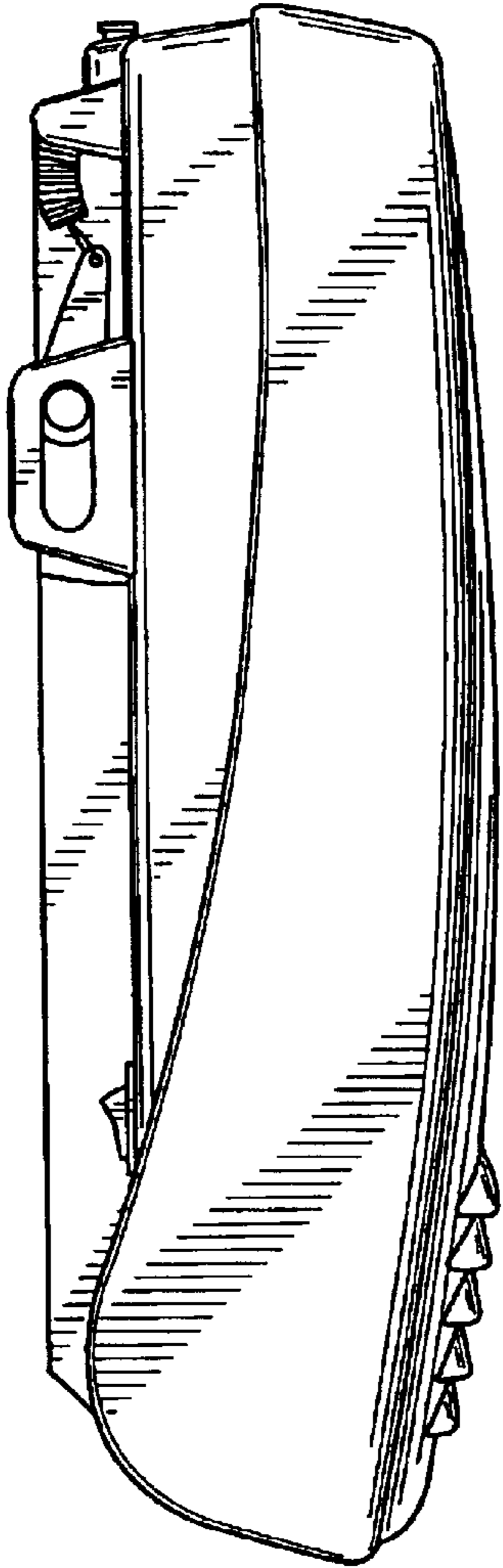
**Fig. 8**



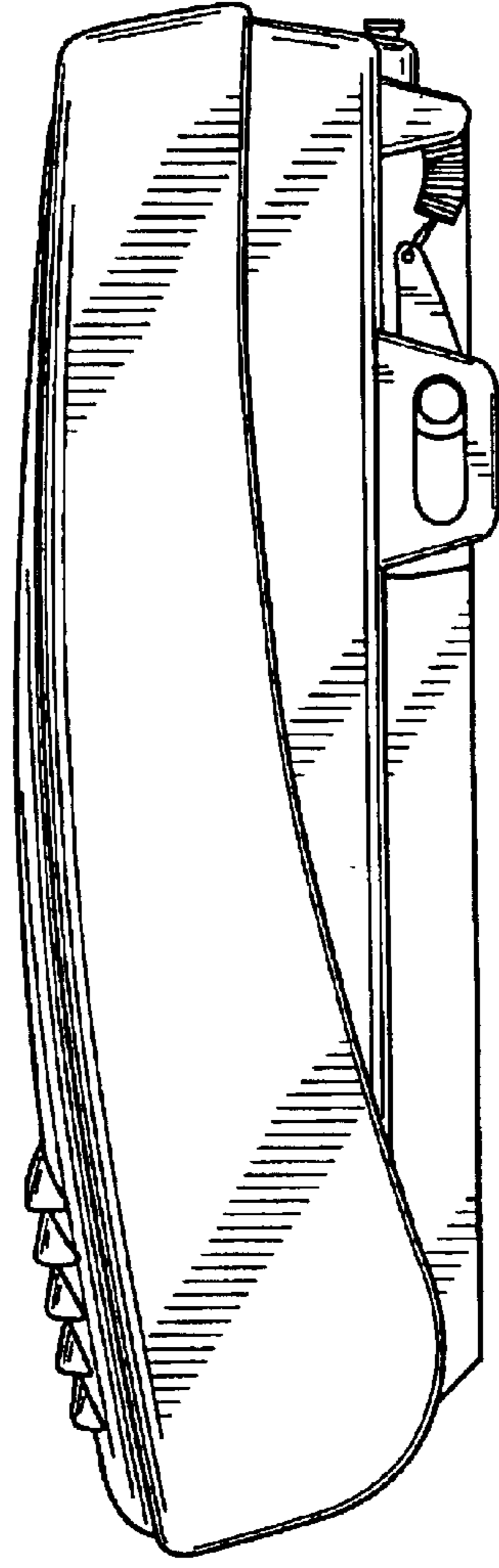
**Fig. 9**



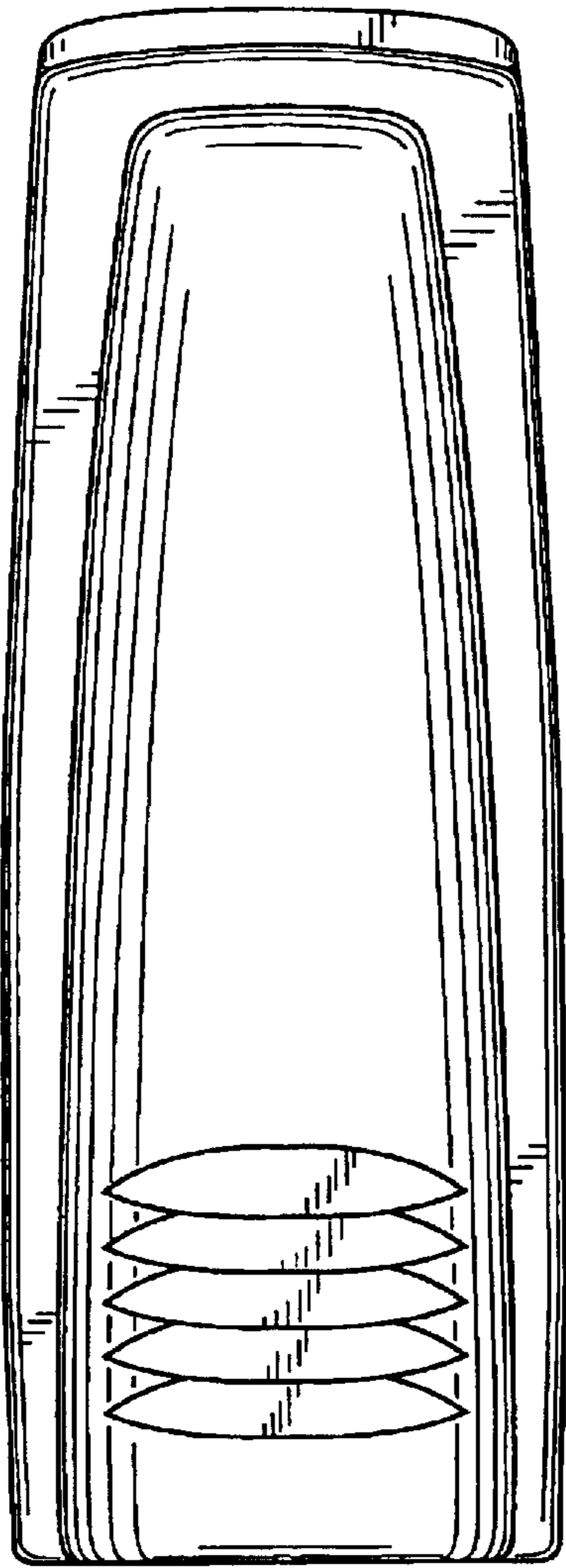
**Fig. 10**



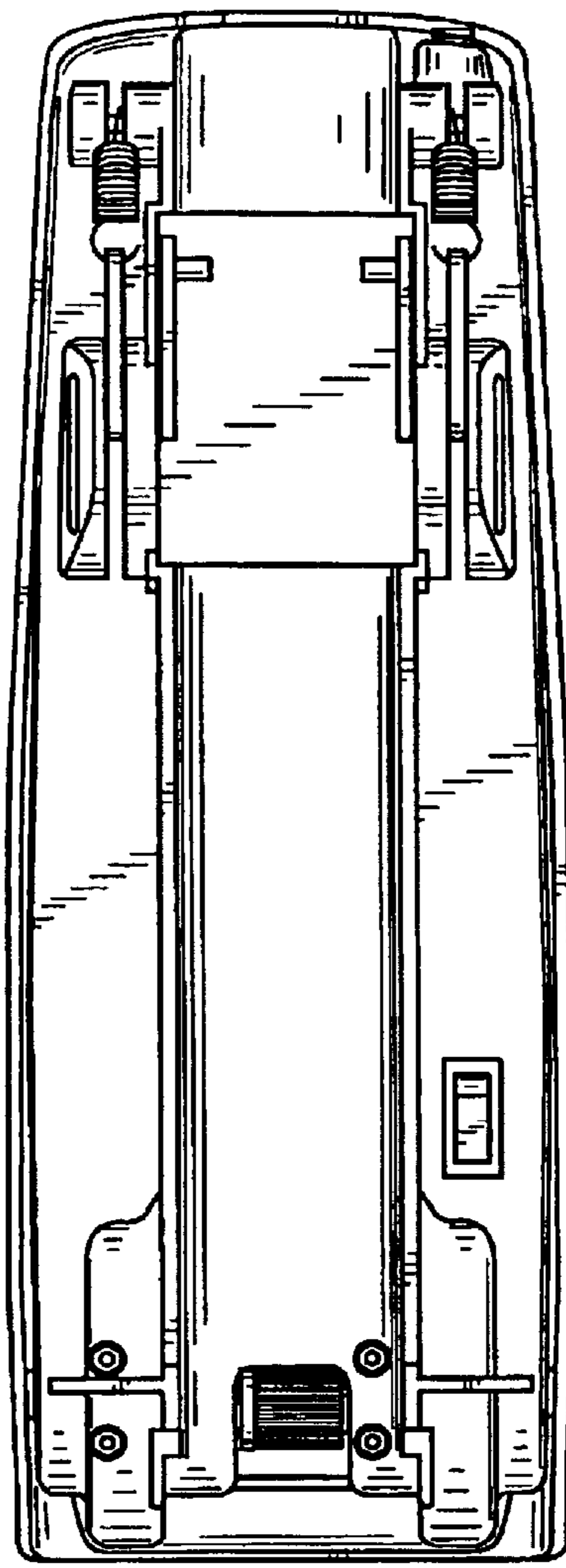
**Fig. 11**



**Fig. 12**



**Fig. 13**



**Fig. 14**