



US00D490746S

(12) **United States Design Patent**
Broel

(10) **Patent No.:** **US D490,746 S**

(45) **Date of Patent:** **** Jun. 1, 2004**

(54) **CEMETERY VASE FLOWER HOLDER**

(76) **Inventor:** **David J. Broel**, P.O. Box 70934,
Marietta, GA (US) 30007

(**) **Term:** **14 Years**

(21) **Appl. No.:** **29/185,504**

(22) **Filed:** **Jun. 30, 2003**

(51) **LOC (7) Cl.** **11-02**

(52) **U.S. Cl.** **D11/146**

(58) **Field of Search** D11/143, 144,
D11/146-149, 152-153; D6/469; 47/41.01,
41.12, 41.13, 41.15; 248/27.8, 125.3, 176.1;
206/423

(56) **References Cited**

U.S. PATENT DOCUMENTS

3,142,934	A	*	8/1964	Mehling	248/27.8
3,474,568	A	*	10/1969	Gallo	248/27.8
3,901,389	A	*	8/1975	Belokin, Jr.	D6/469
4,386,480	A	*	6/1983	Horowitz	248/27.8
D328,574	S	*	8/1992	Perkins et al.	D11/148
5,240,211	A	*	8/1993	Anderson	248/125.3
5,607,130	A	*	3/1997	Smay et al.	248/125.3

D396,363	S	*	7/1998	Skrum	D6/469
D429,661	S	*	8/2000	Yano	D11/146
6,386,491	B1	*	5/2002	Bissett	248/176.1

* cited by examiner

Primary Examiner—James Gandy

Assistant Examiner—Mimosa De

(74) *Attorney, Agent, or Firm*—Rodgers & Rodgers

(57) **CLAIM**

The ornamental design for a cemetery vase flower holder, as shown and described.

DESCRIPTION

FIG. 1 is a perspective view of a cemetery vase flower holder showing my new design;

FIG. 2 is a top plan view thereof;

FIG. 3 is a bottom plan view thereof;

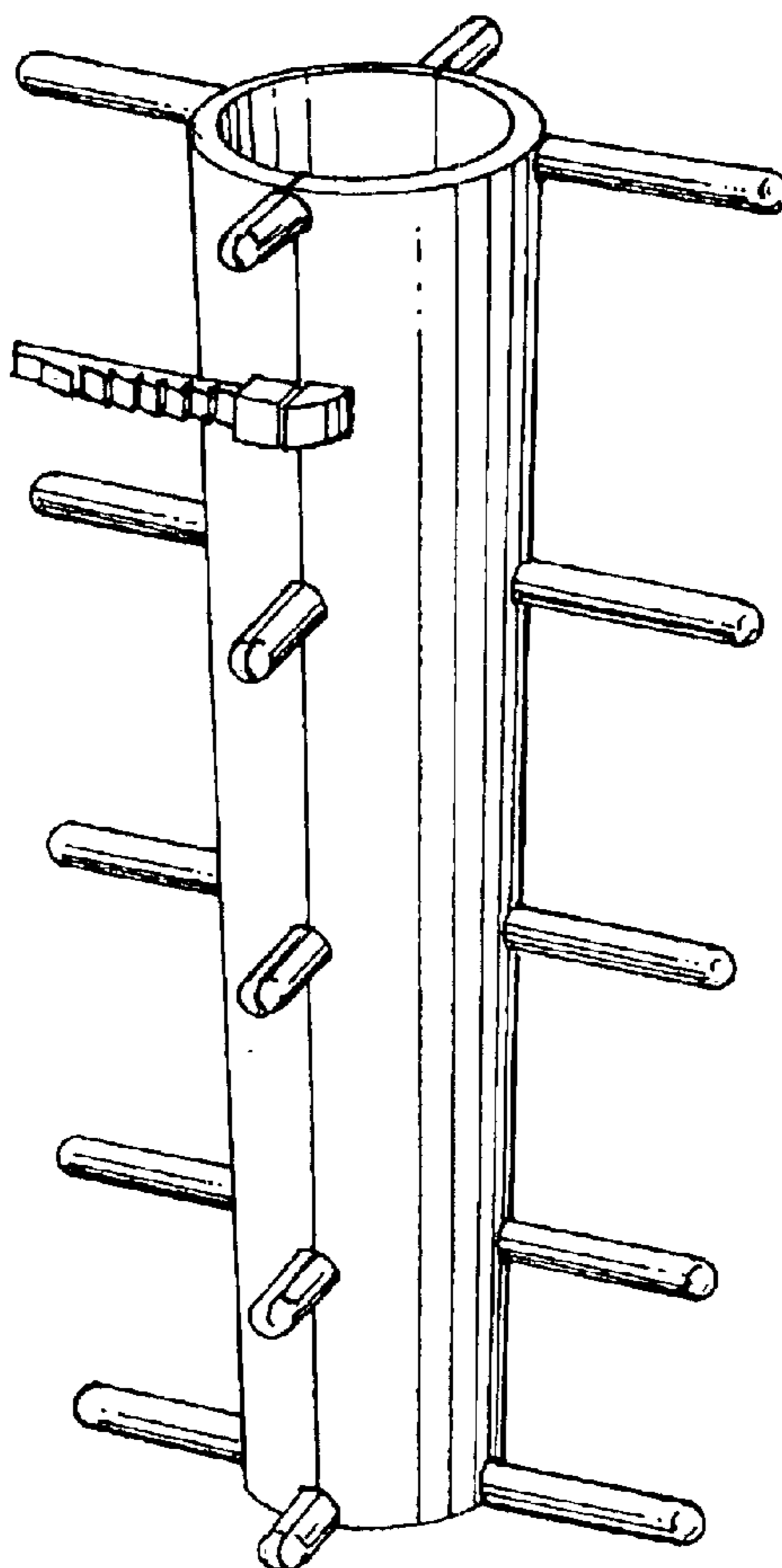
FIG. 4 is a left side elevational view thereof, the right side being a mirror image thereof;

FIG. 5 is a rear elevational view thereof;

FIG. 6 is a front elevational view thereof; and,

FIG. 7 is a perspective view showing the cemetery vase flower holder in an open configuration.

1 Claim, 4 Drawing Sheets



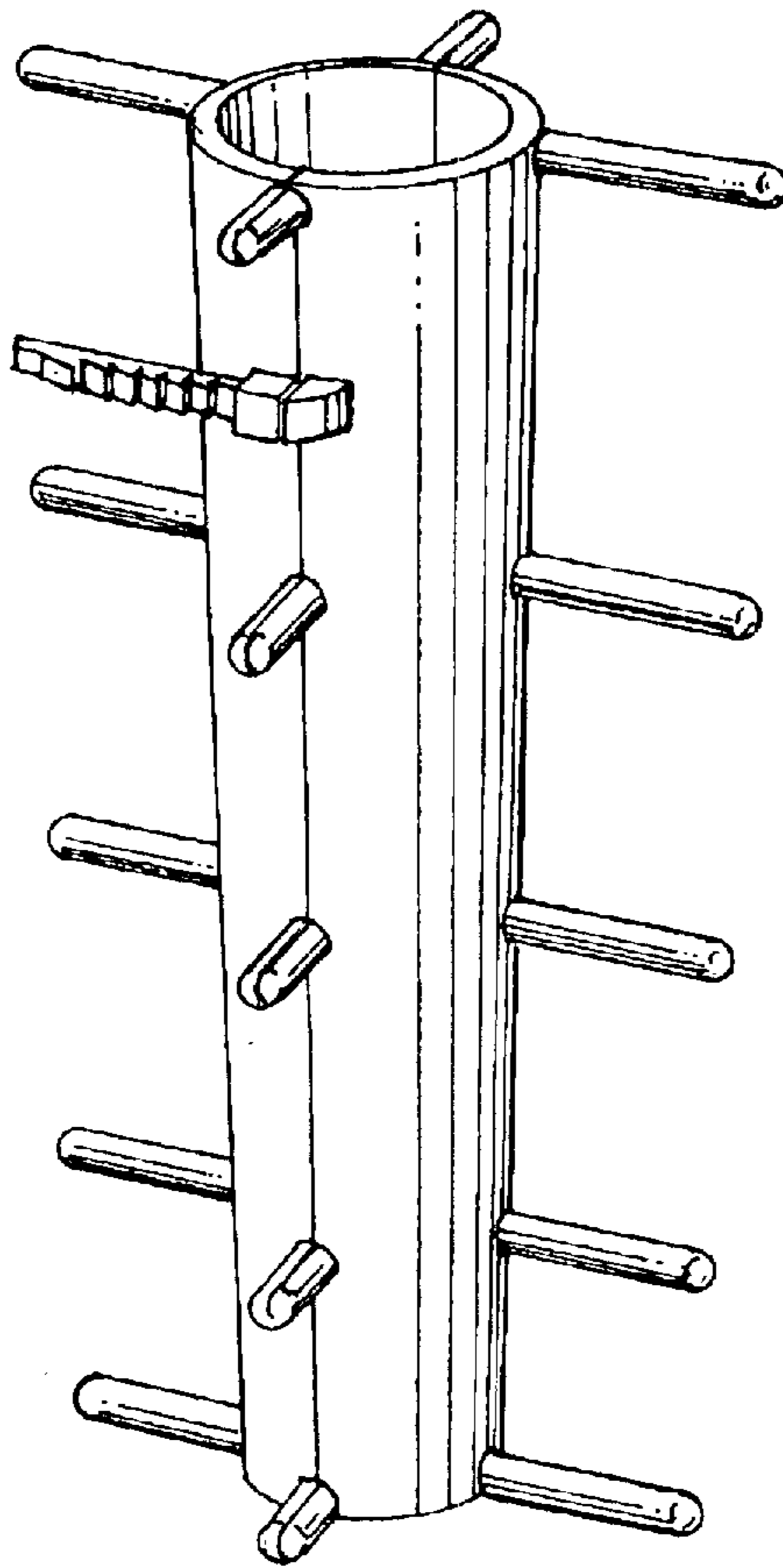


FIG. 1

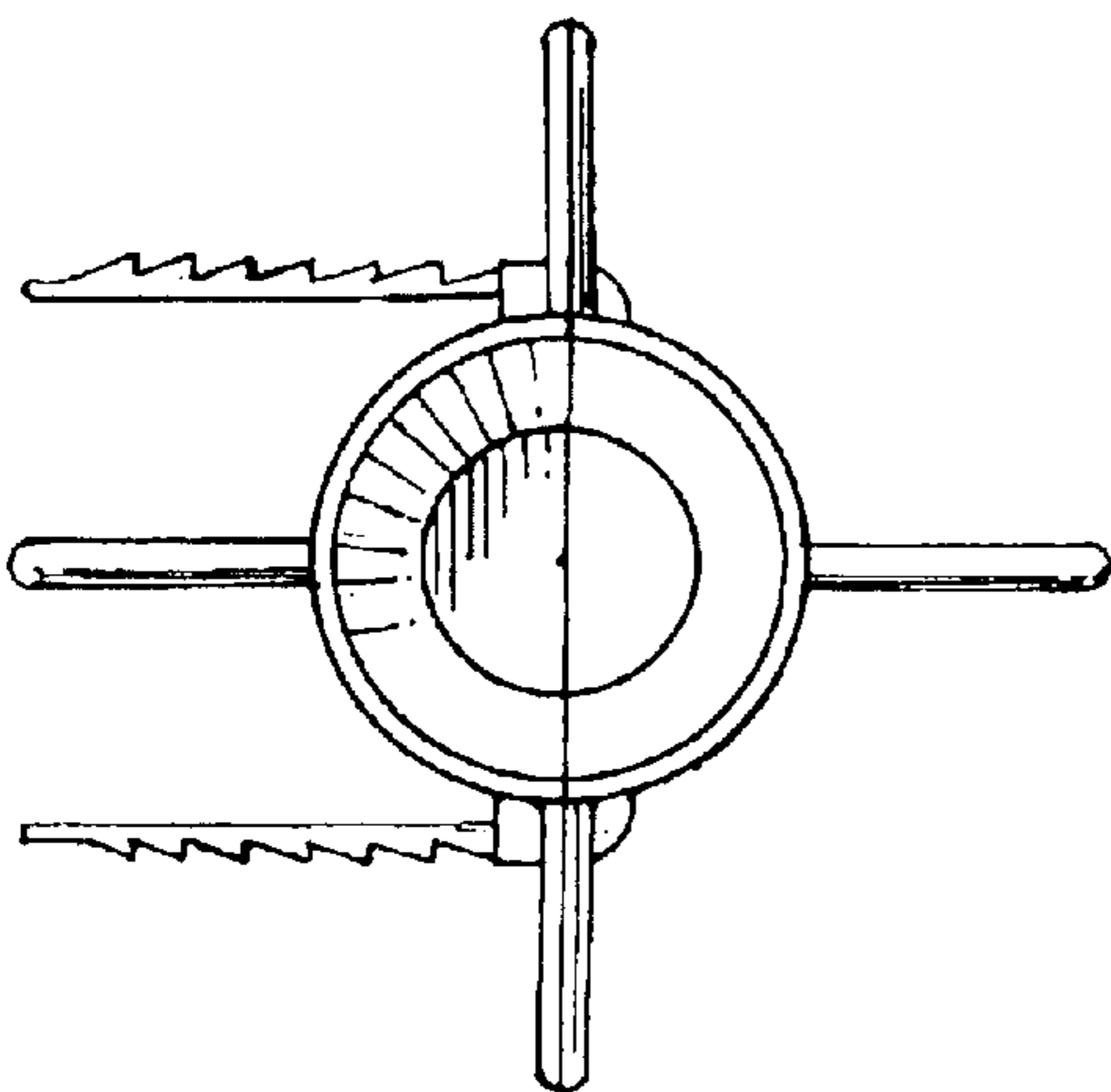


FIG. 2

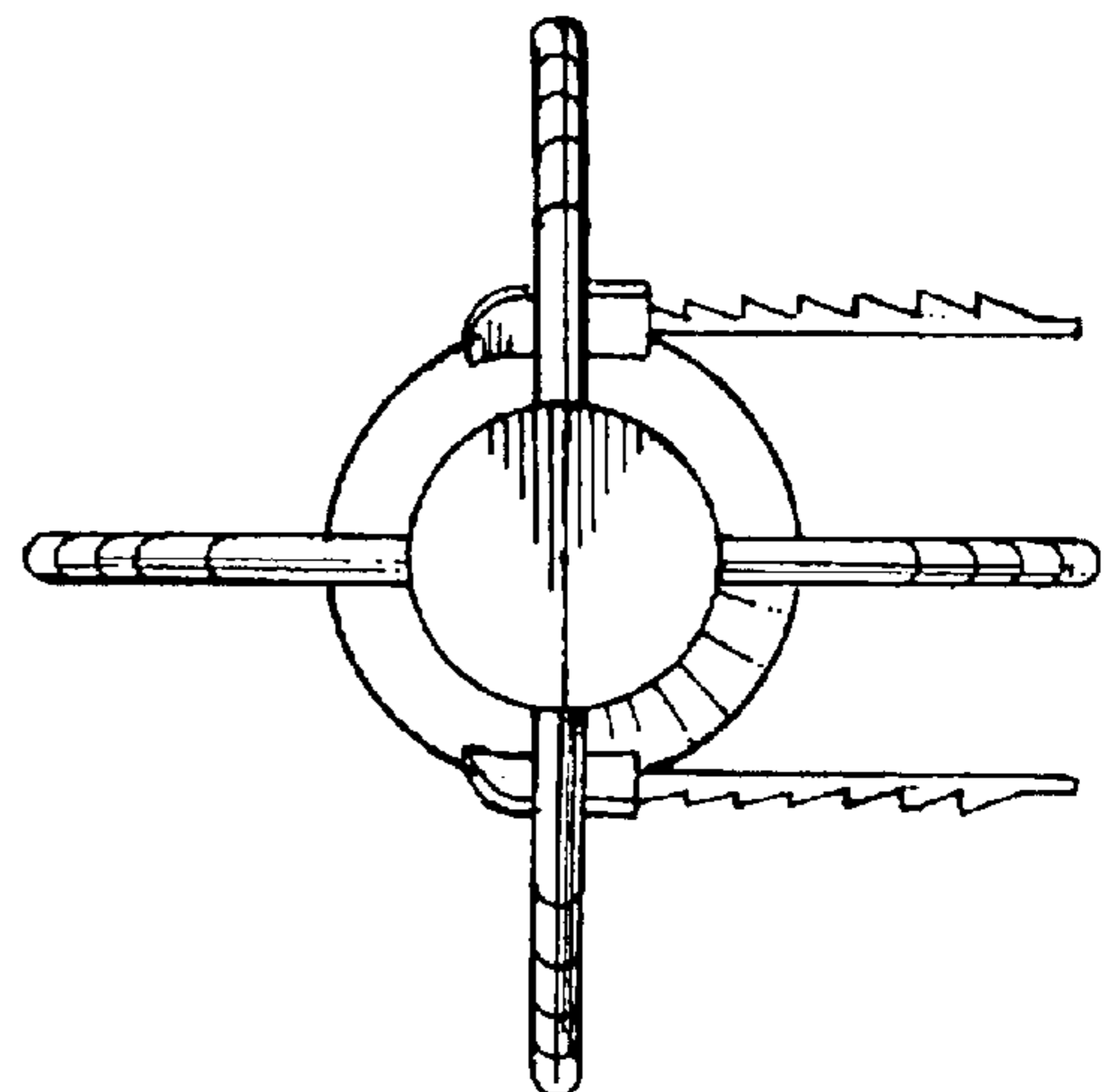


FIG. 3

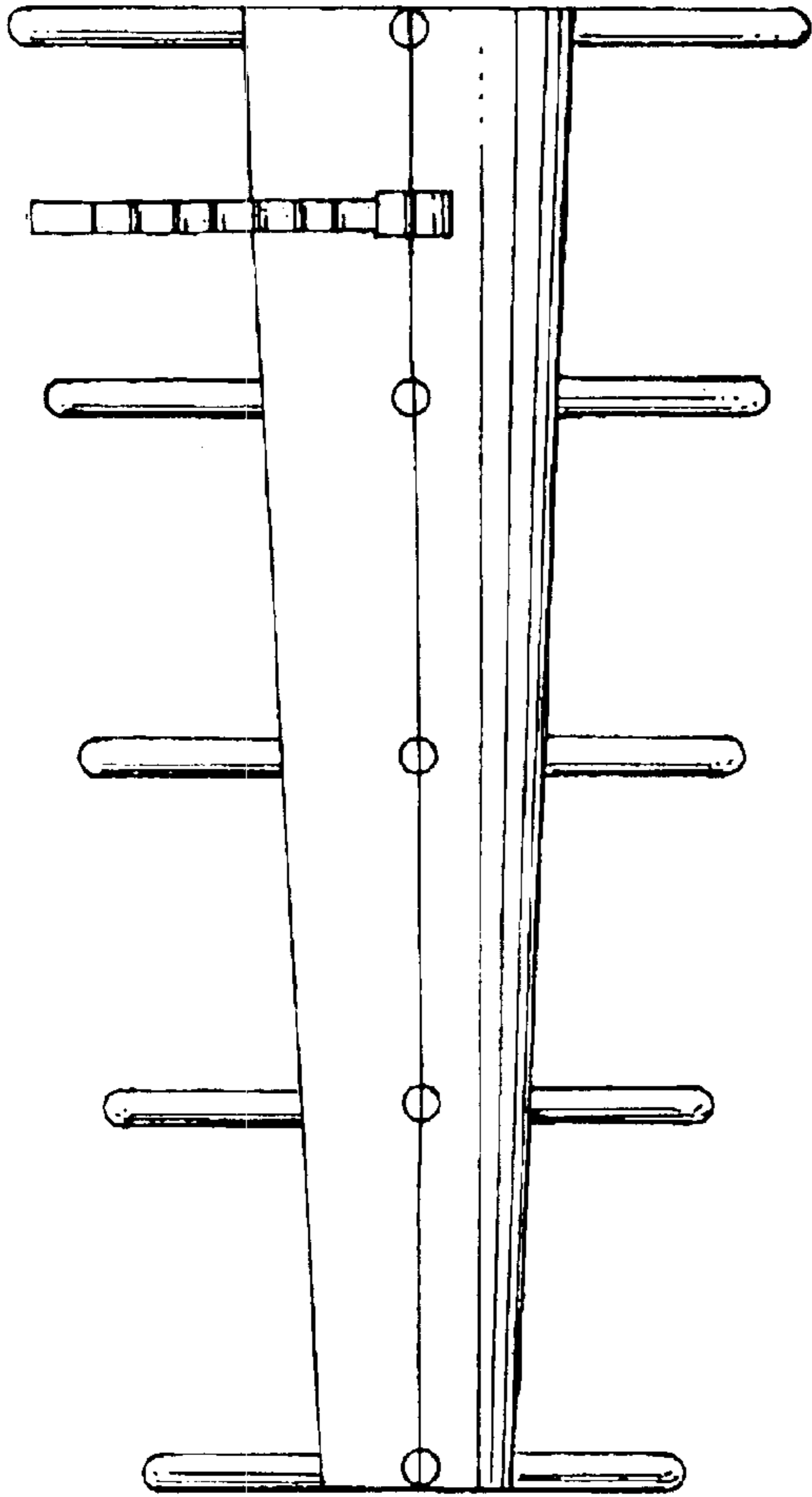


FIG. 4

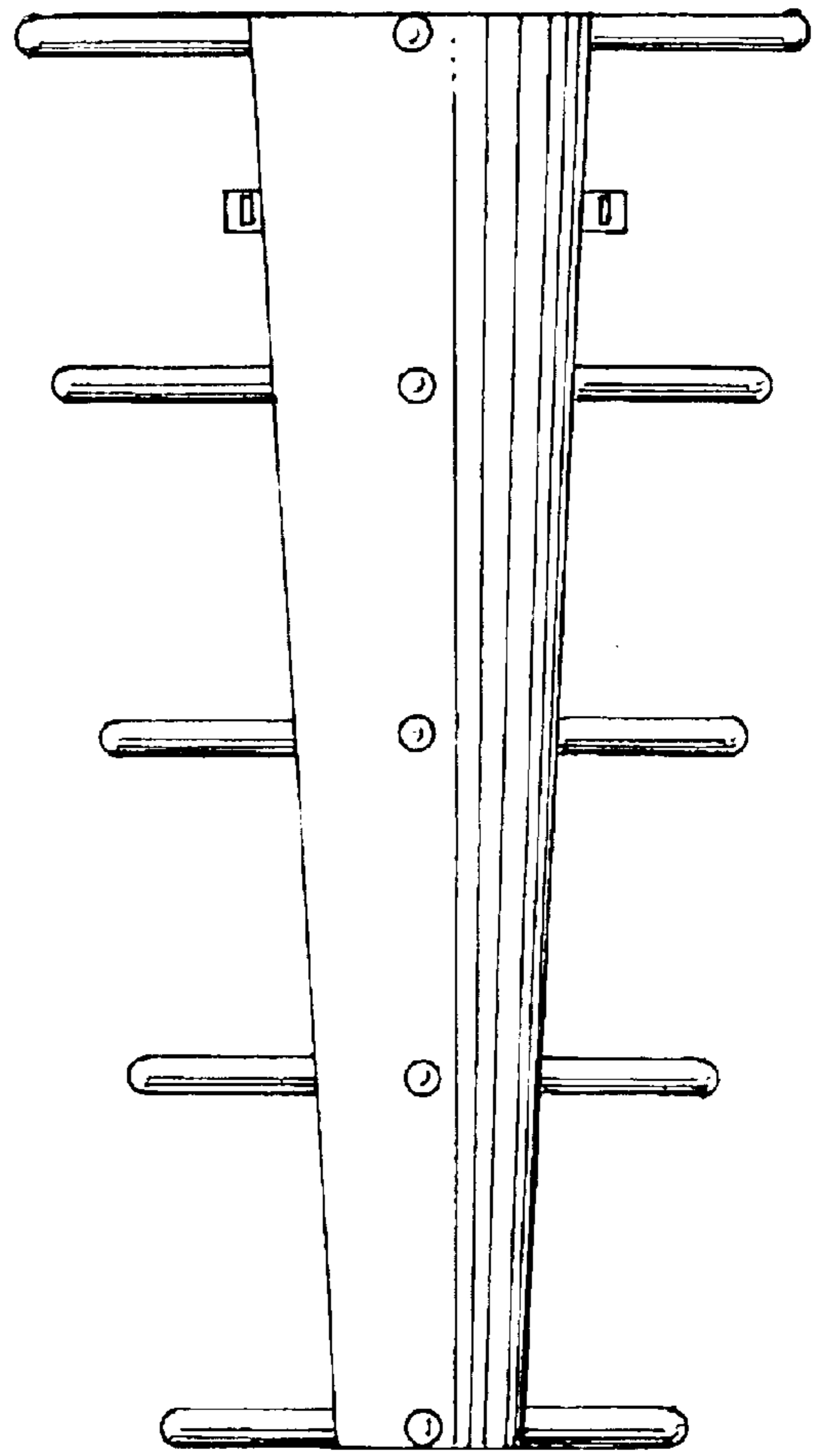


FIG. 5

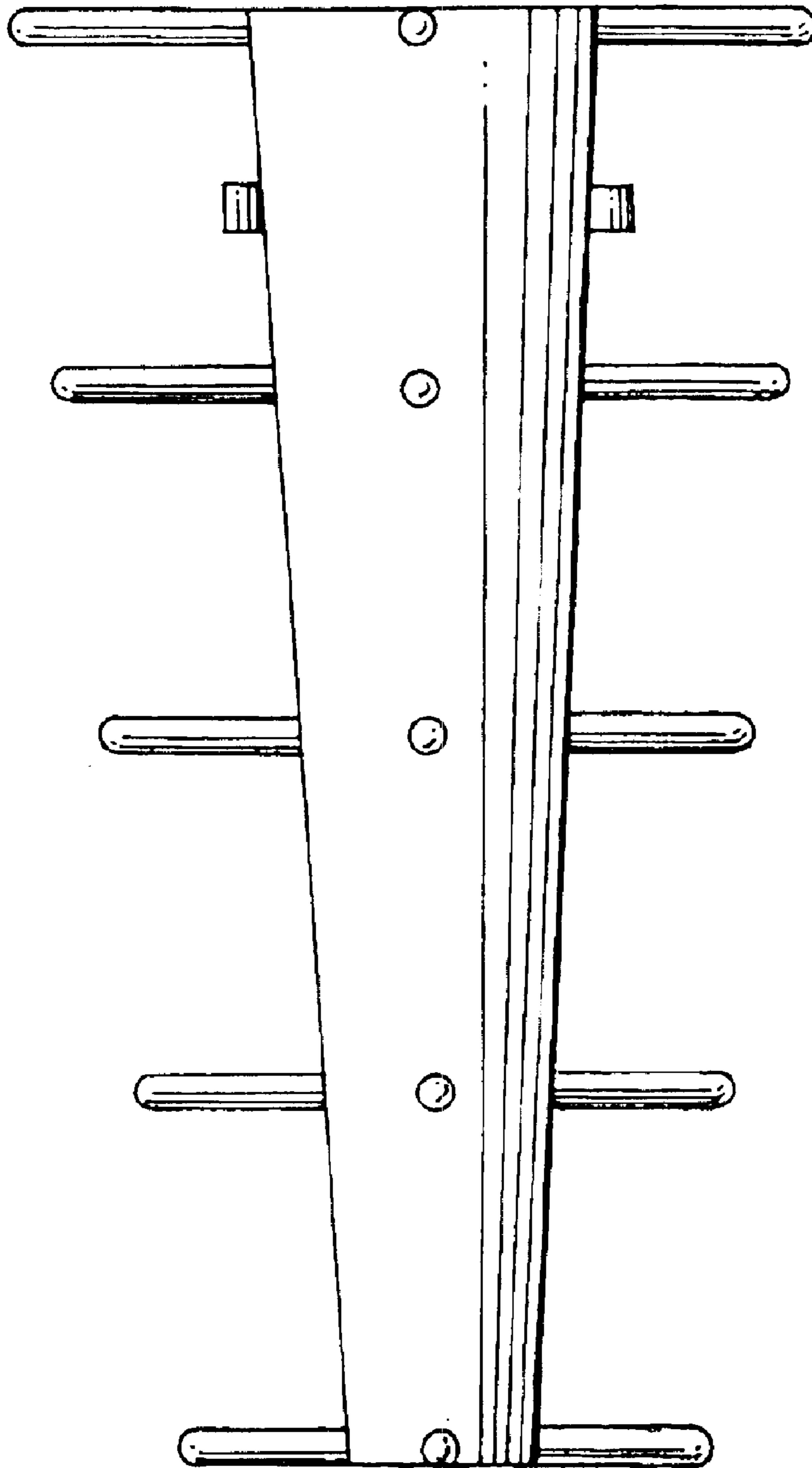


FIG. 6

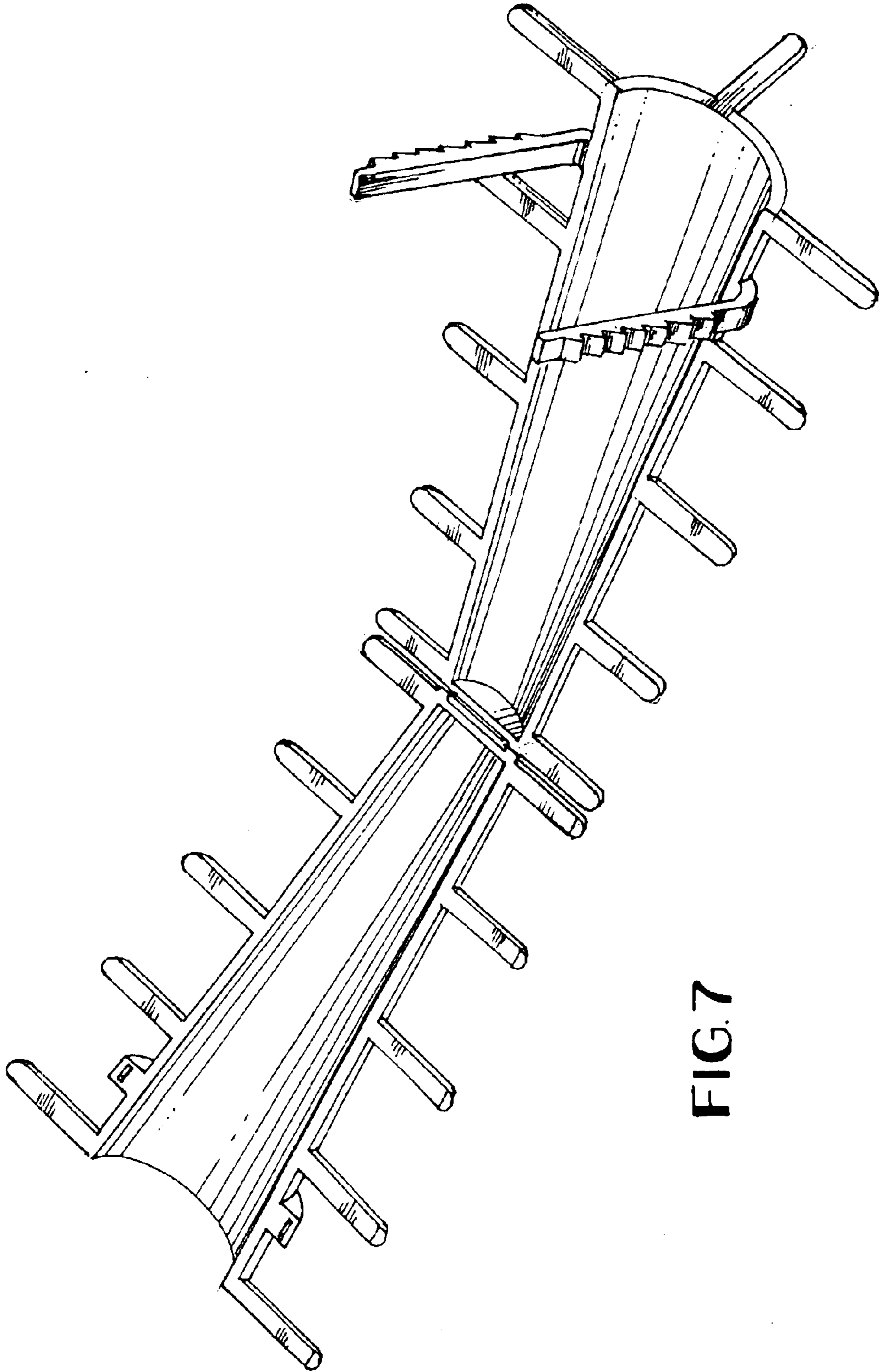


FIG. 7