



US00D490745S

(12) **United States Design Patent**  
**Fan**

(10) **Patent No.:** **US D490,745 S**

(45) **Date of Patent:** **\*\* Jun. 1, 2004**

(54) **SELF WATERING TRAY FOR A PLANT POT**

D460,021 S \* 7/2002 Fan ..... D11/152

(76) **Inventor:** **Jianhua Fan**, 5800 Maudina Ave. Apt.  
C-2, Nashville, TN (US) 37209

(\*\*) **Term:** **14 Years**

(21) **Appl. No.:** **29/174,276**

(22) **Filed:** **Jan. 15, 2003**

(51) **LOC (7) Cl.** ..... **11-02**

(52) **U.S. Cl.** ..... **D11/143**

(58) **Field of Search** ..... D11/143, 144,  
D11/145, 148, 152, 153, 154, 155, 156,  
164; 47/40, 65.5, 65.6, 65.7, 66.2, 66.6,  
67, 68, 71, 79, 80, 81; 206/423; 220/23.6;  
248/27.8

(56) **References Cited**

**U.S. PATENT DOCUMENTS**

1,391,353	A	*	9/1921	Wells	47/71
4,059,920	A		11/1977	Worrell	
D250,009	S	*	10/1978	Karotseris	D11/143
4,553,352	A		11/1985	Powell et al.	
4,991,345	A	*	2/1991	Bloch	47/79
5,094,032	A	*	3/1992	Byland et al.	47/71
5,564,226	A		10/1996	Paramest	
5,638,638	A	*	6/1997	Moskowitz	47/71
D384,907	S	*	10/1997	Moskowitz	D11/152

**FOREIGN PATENT DOCUMENTS**

CH	572301	2/1976
FR	1263364	12/1961
FR	2568446	8/1984

\* cited by examiner

*Primary Examiner*—Doris V. Coles  
*Assistant Examiner*—Mimosa De

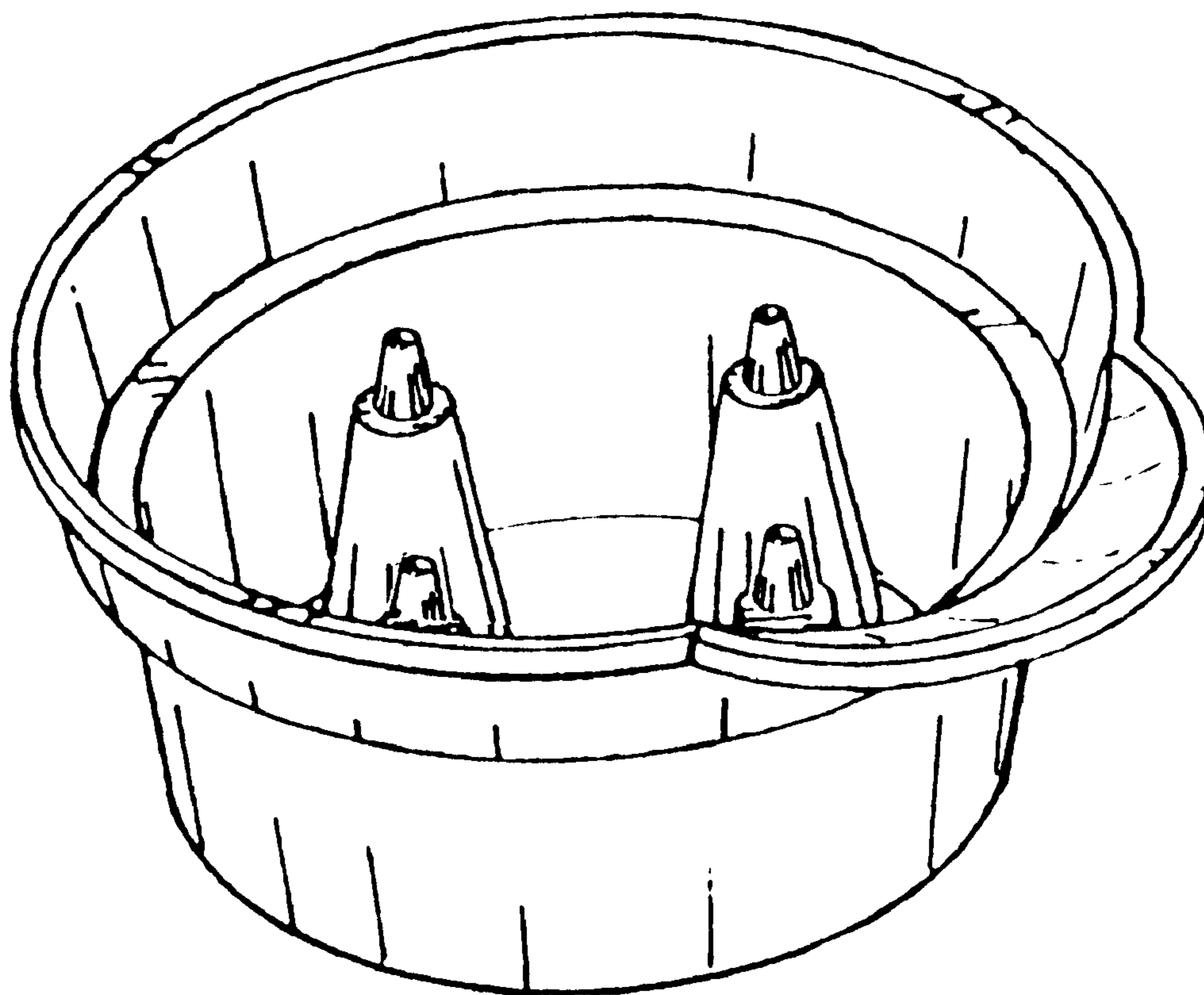
(57) **CLAIM**

The ornamental design for a self watering tray for a plant pot, as shown and described.

**DESCRIPTION**

FIG. 1 is a top perspective view of a self watering tray for a plant pot showing my new design; FIG. 2 is a bottom perspective view thereof; FIG. 3 is a pot top plan view of FIG. 1; FIG. 4 is a bottom plan view of FIG. 1; FIG. 5 is a right side view of FIG. 1; FIG. 6 is a left side view of FIG. 1; FIG. 7 is a front view of FIG. 1; FIG. 8 is a back view of FIG. 1; and, FIG. 9 is a cross sectional view taken along line 9—9 of FIG. 3.

**1 Claim, 5 Drawing Sheets**



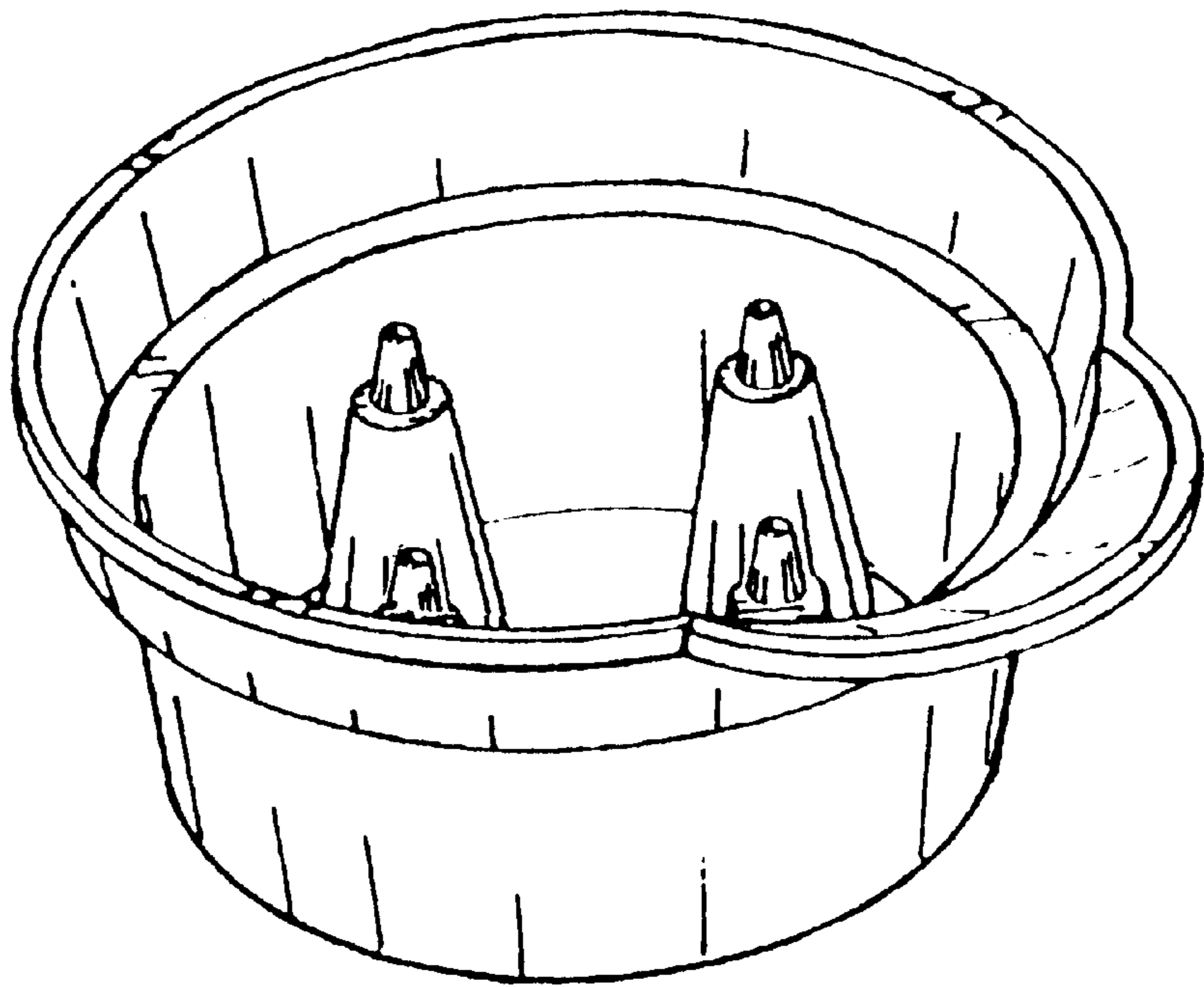


Fig. 1

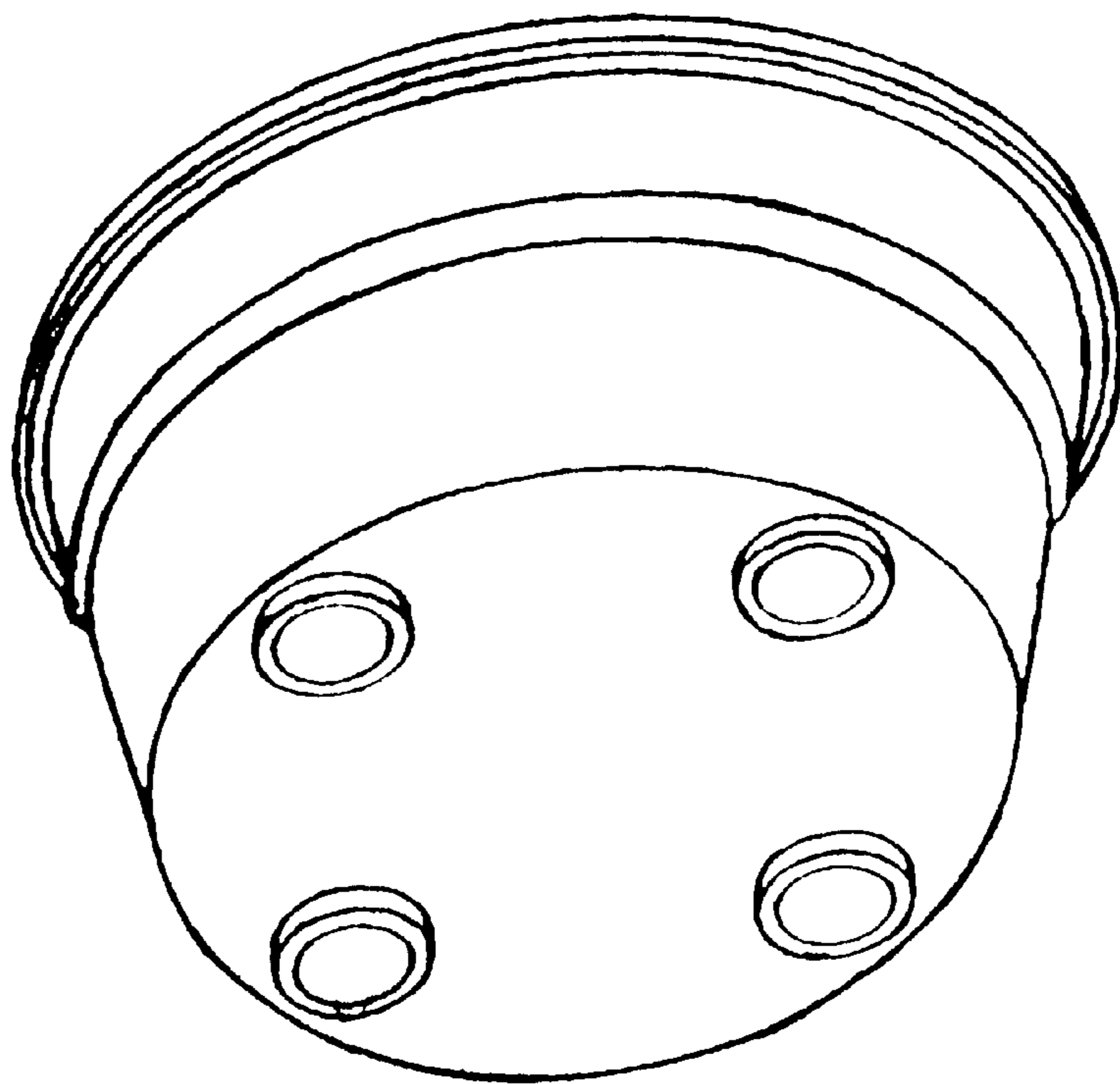


Fig. 2

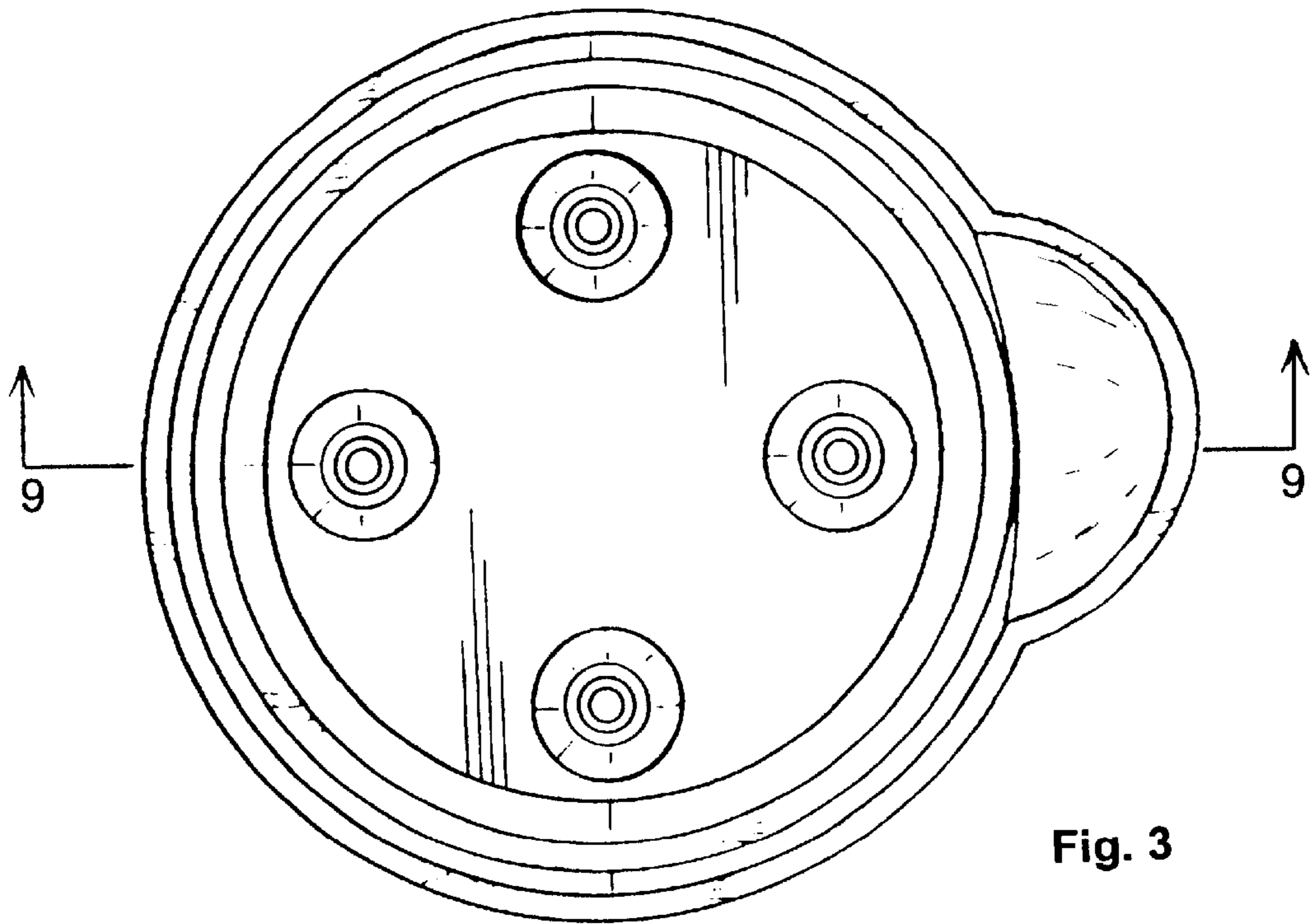


Fig. 3

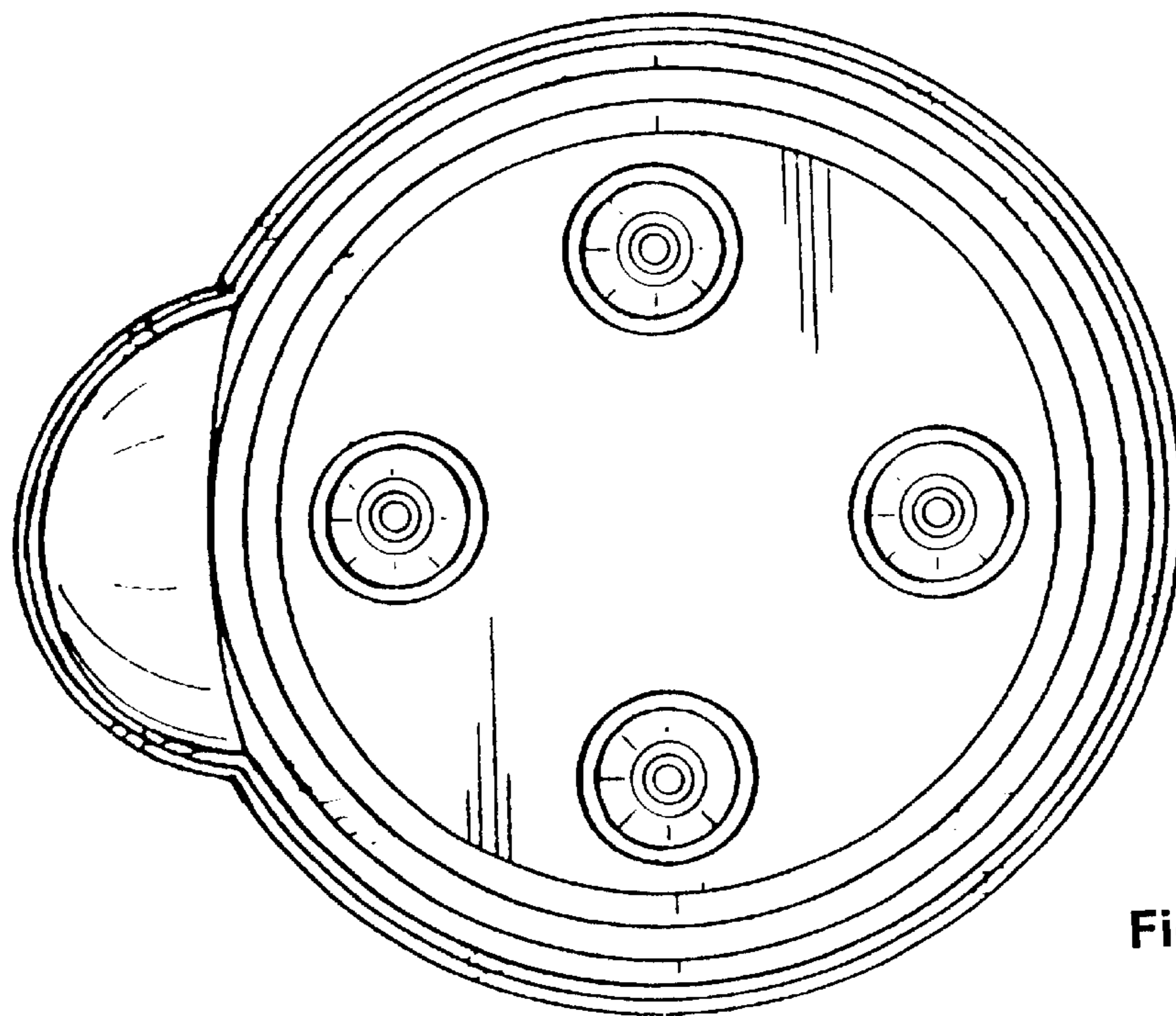


Fig. 4

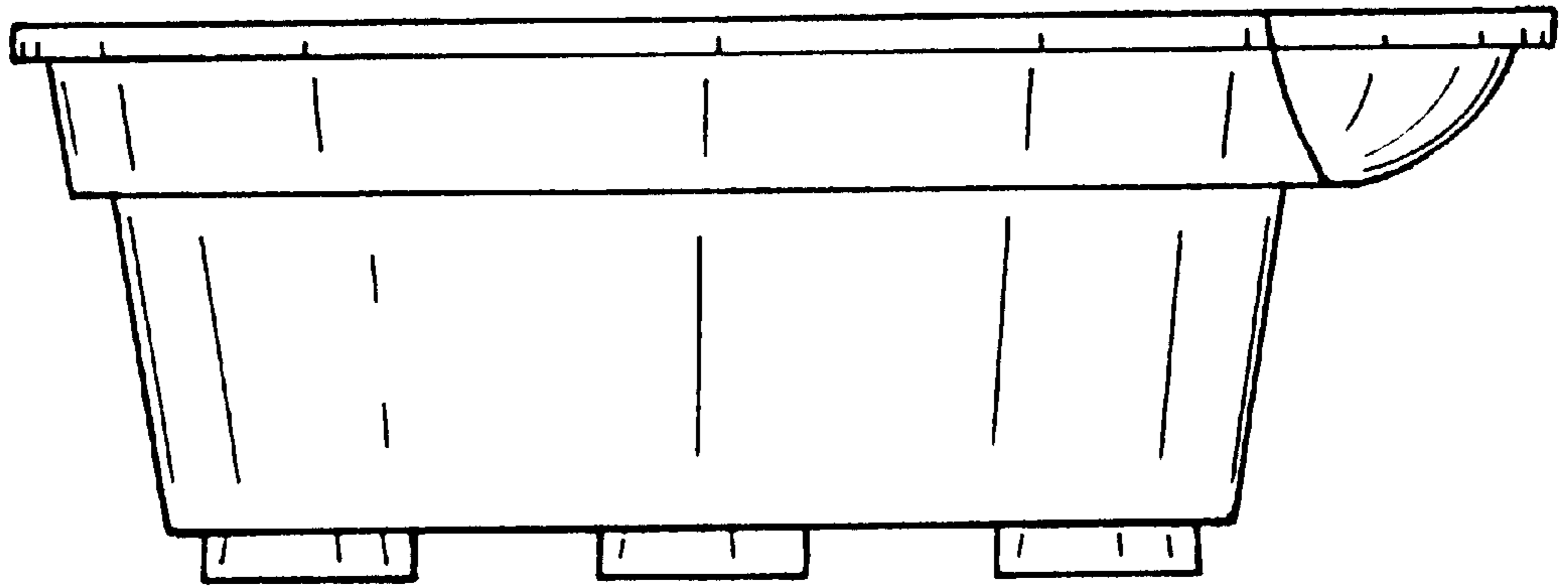


Fig. 5

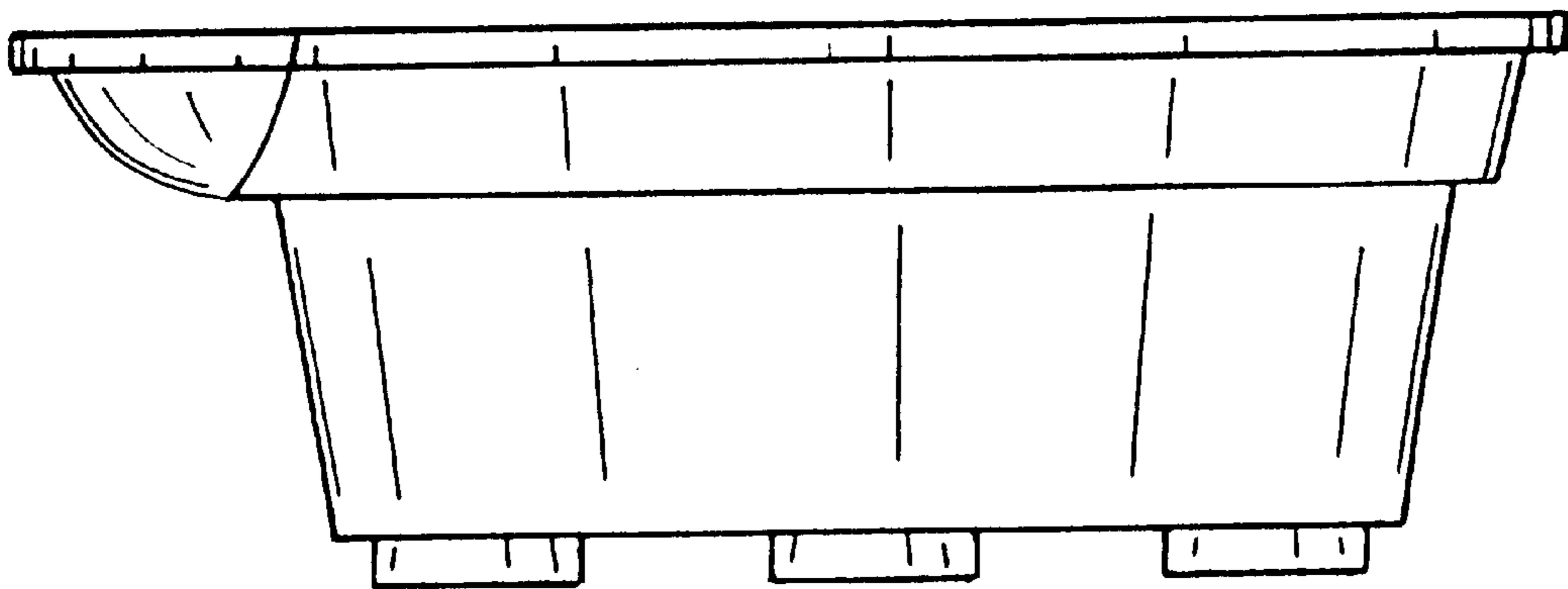


Fig. 6

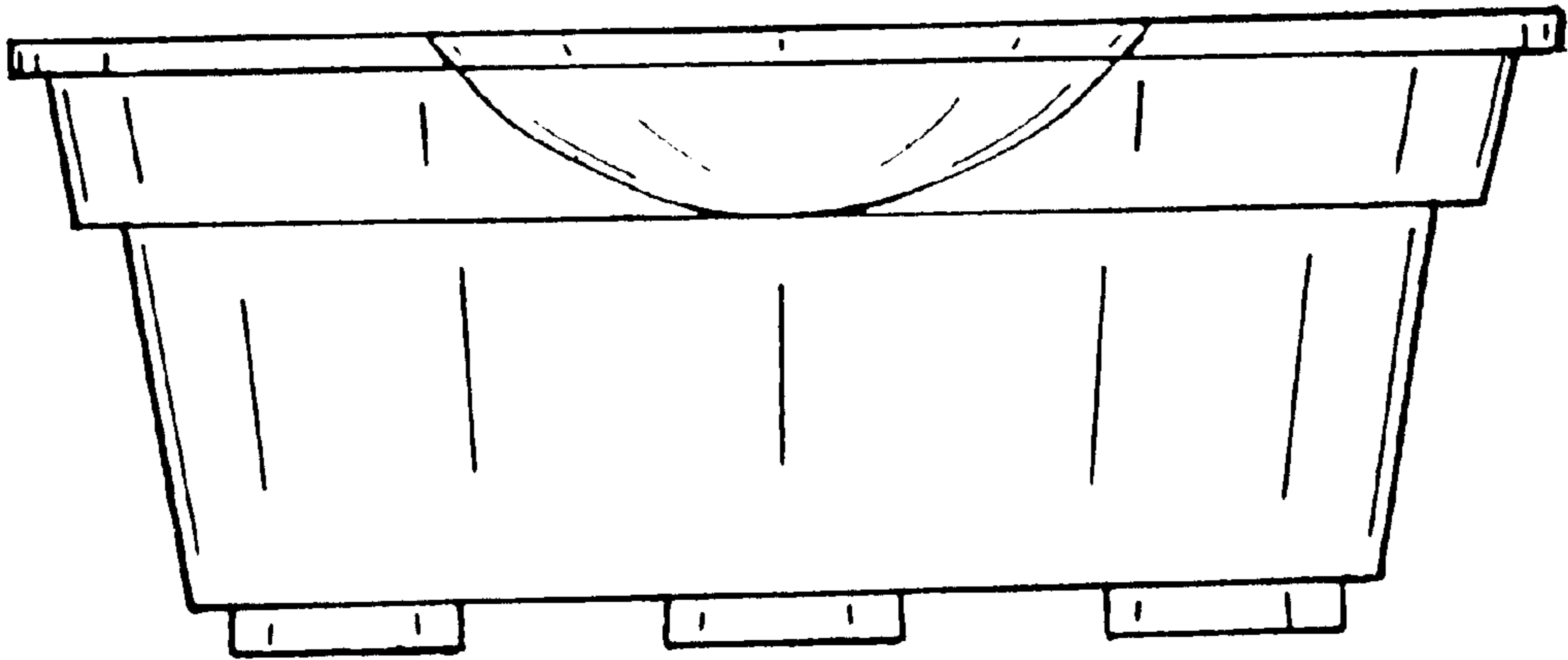


Fig. 7

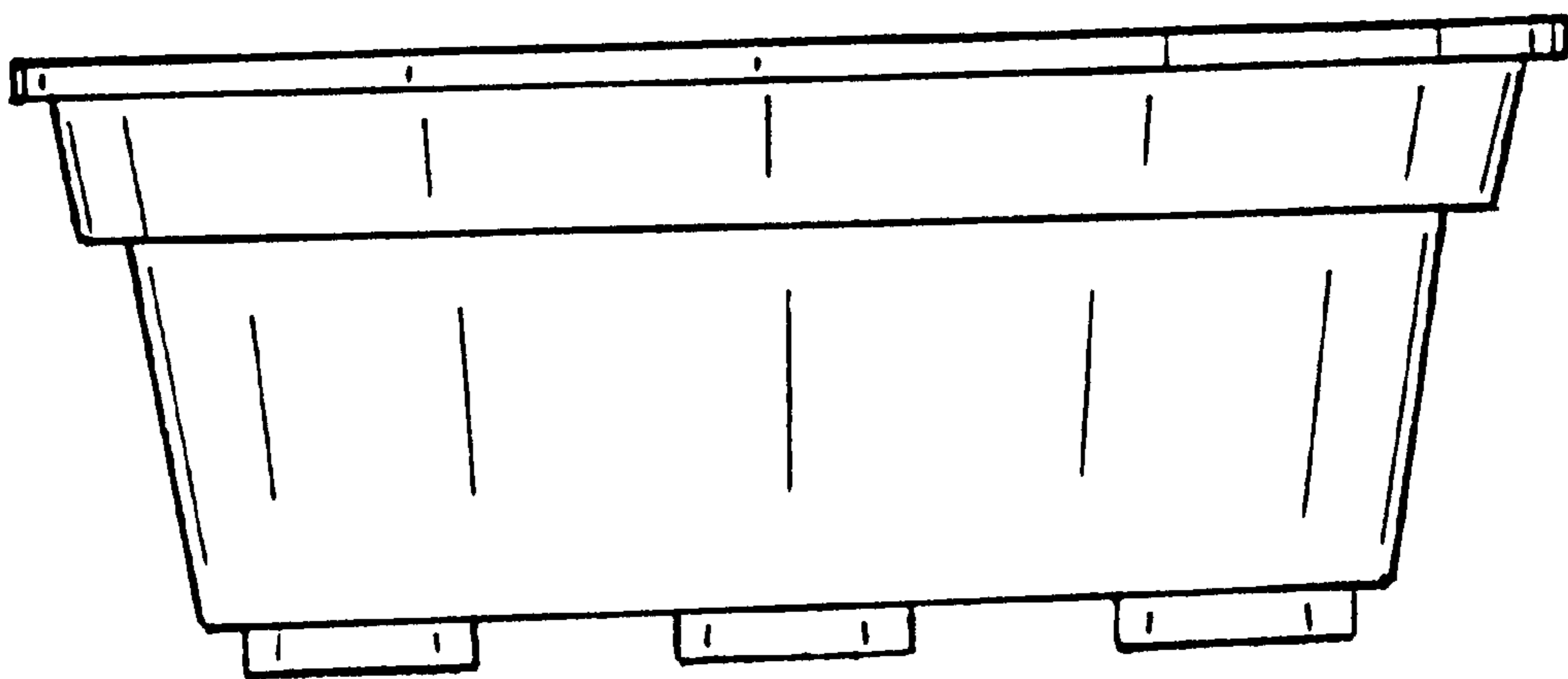


Fig. 8

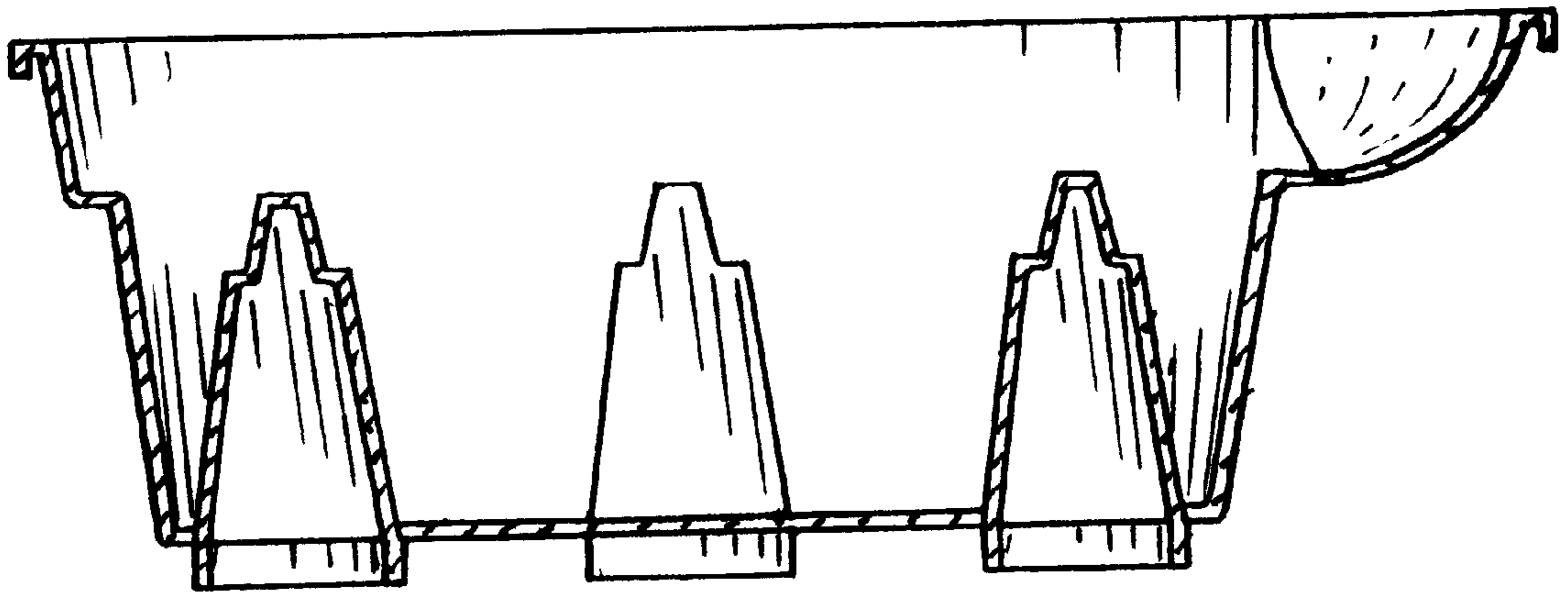


Fig. 9