



US00D490740S

(12) **United States Design Patent**
Pluchenik et al.

(10) **Patent No.:** **US D490,740 S**

(45) **Date of Patent:** **** Jun. 1, 2004**

(54) **FINGER RING**

(75) Inventors: **Seymour Pluchenik**, Lawrence, NY (US); **Avrom Ostreicher**, Brooklyn, NY (US)

(73) Assignee: **Diaco International**, New York, NY (US)

(**) Term: **14 Years**

(21) Appl. No.: **29/184,006**

(22) Filed: **Jun. 18, 2003**

(51) **LOC (7) Cl.** **11-01**

(52) **U.S. Cl.** **D11/30**

(58) **Field of Search** D11/26-40; 63/15, 63/15.1, 15.2, 15.3, 15.4, 15.5, 15.6, 15.7, 15.8, 26-28

(56) **References Cited**

U.S. PATENT DOCUMENTS

1,536,540 A	*	5/1925	Thomas	63/15.3
D137,743 S	*	4/1944	Frackman	D11/36
D400,120 S	*	10/1998	Itzkowitz	D11/26
D480,321 S	*	10/2003	Roemer	D11/26

* cited by examiner

Primary Examiner—Catherine R. Oliver
(74) *Attorney, Agent, or Firm*—Fross Zelnick Lehrman & Zissu; David I. Greenbaum

(57) **CLAIM**

The ornamental design for a finger ring, as shown and described.

DESCRIPTION

FIG. 1 is a perspective view of a finger ring showing the new design;

FIG. 2 is a front view of the finger ring shown in FIG. 1, the rear view being an identical image thereof;

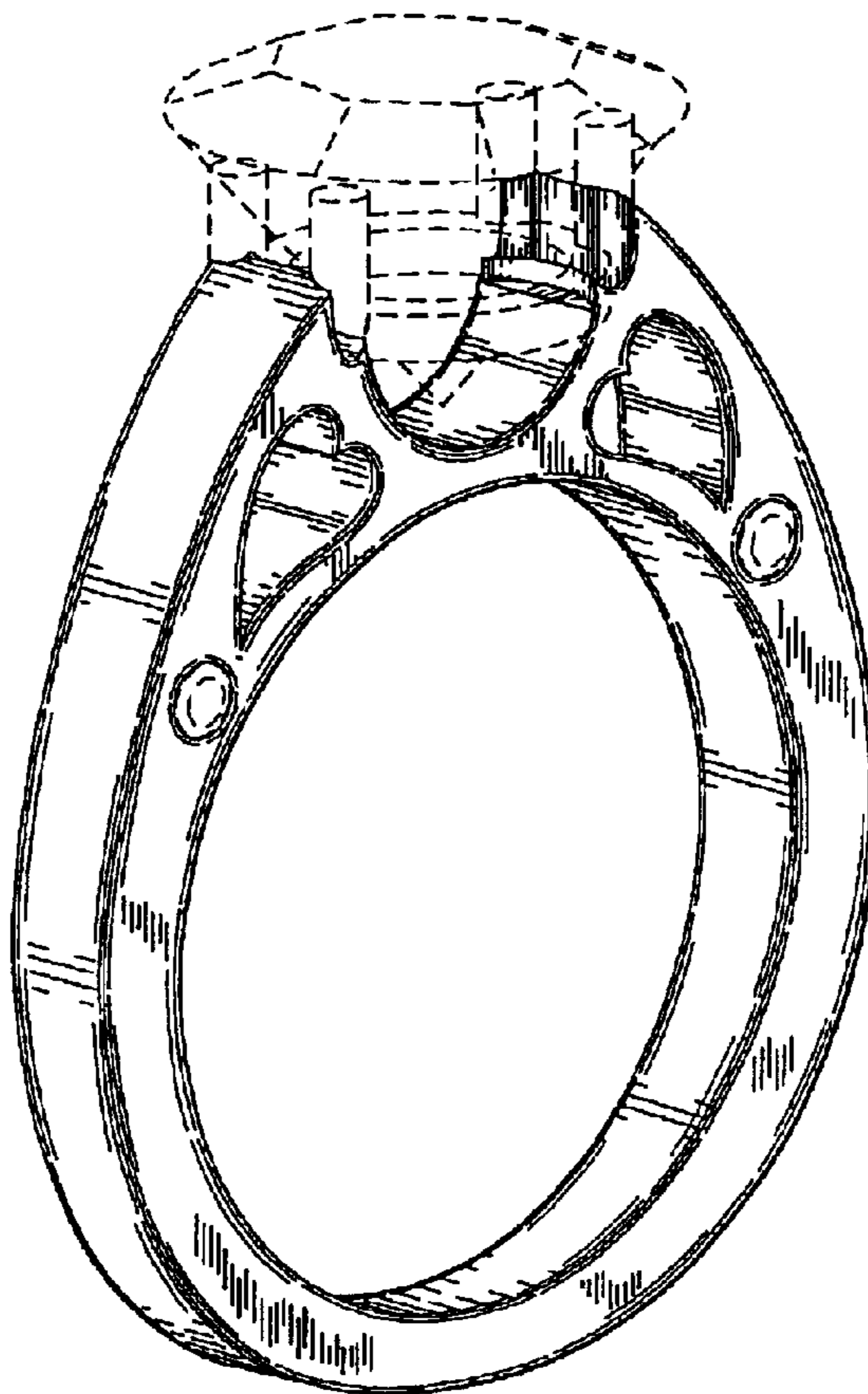
FIG. 3 is a right side view of the finger ring shown in FIG. 1, the left side view being an identical image thereof;

FIG. 4 is a bottom view showing the finger ring shown in FIG. 1; and,

FIG. 5 is a top view showing the finger ring shown in FIG. 1.

The broken line showing of environment in the drawings is for illustrative purposes only and forms no part of the claimed design.

1 Claim, 4 Drawing Sheets



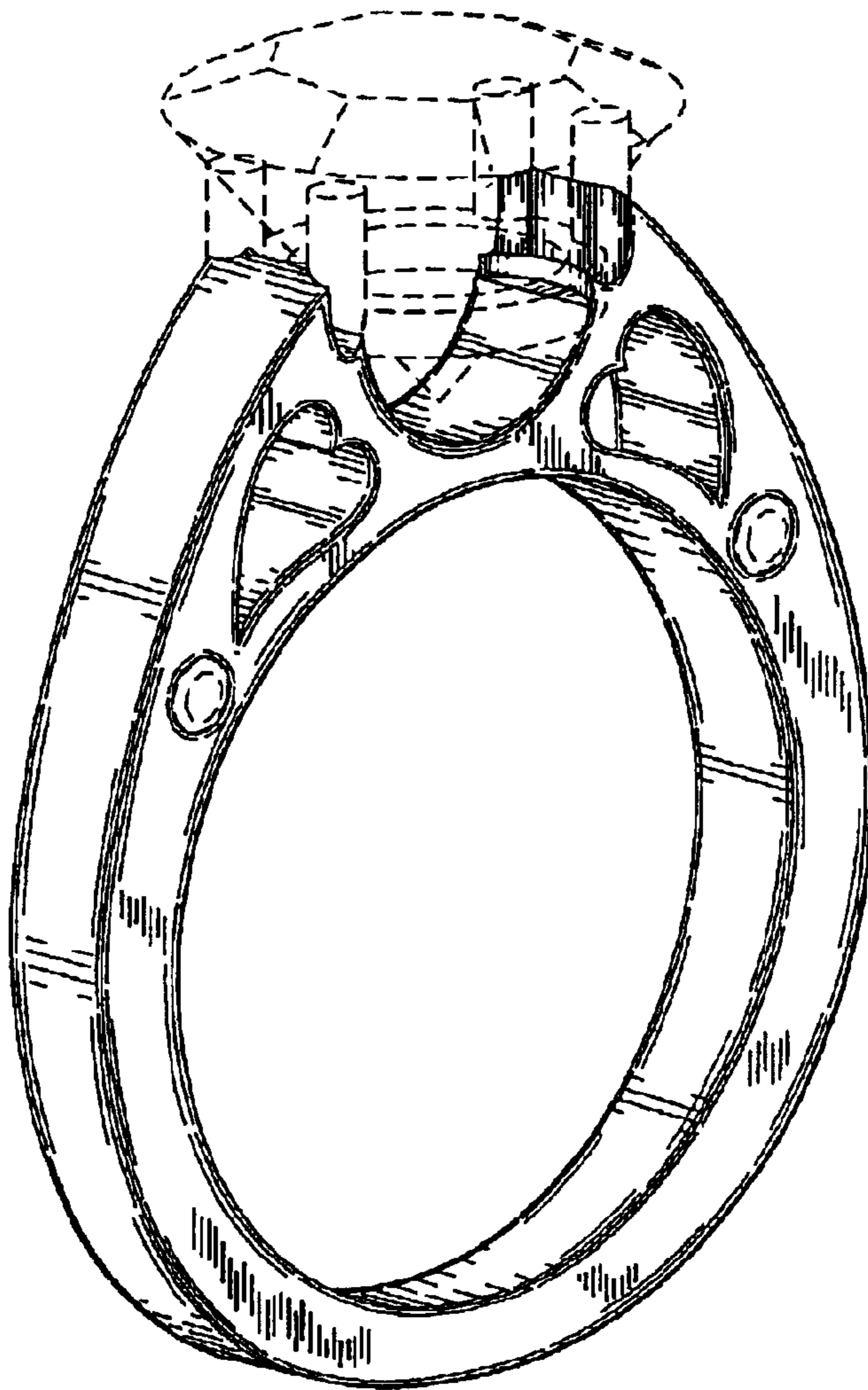


FIG. 1

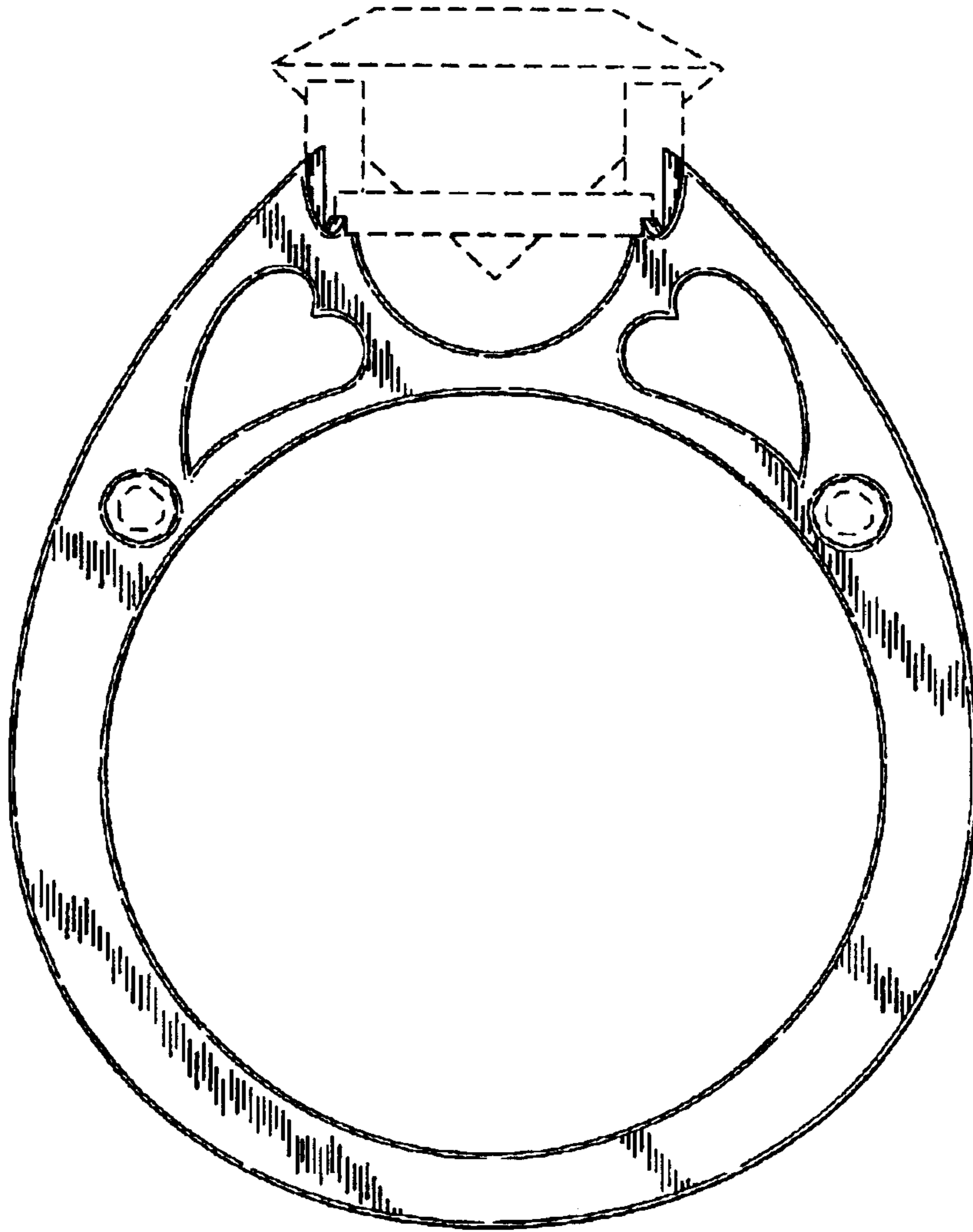


FIG. 2

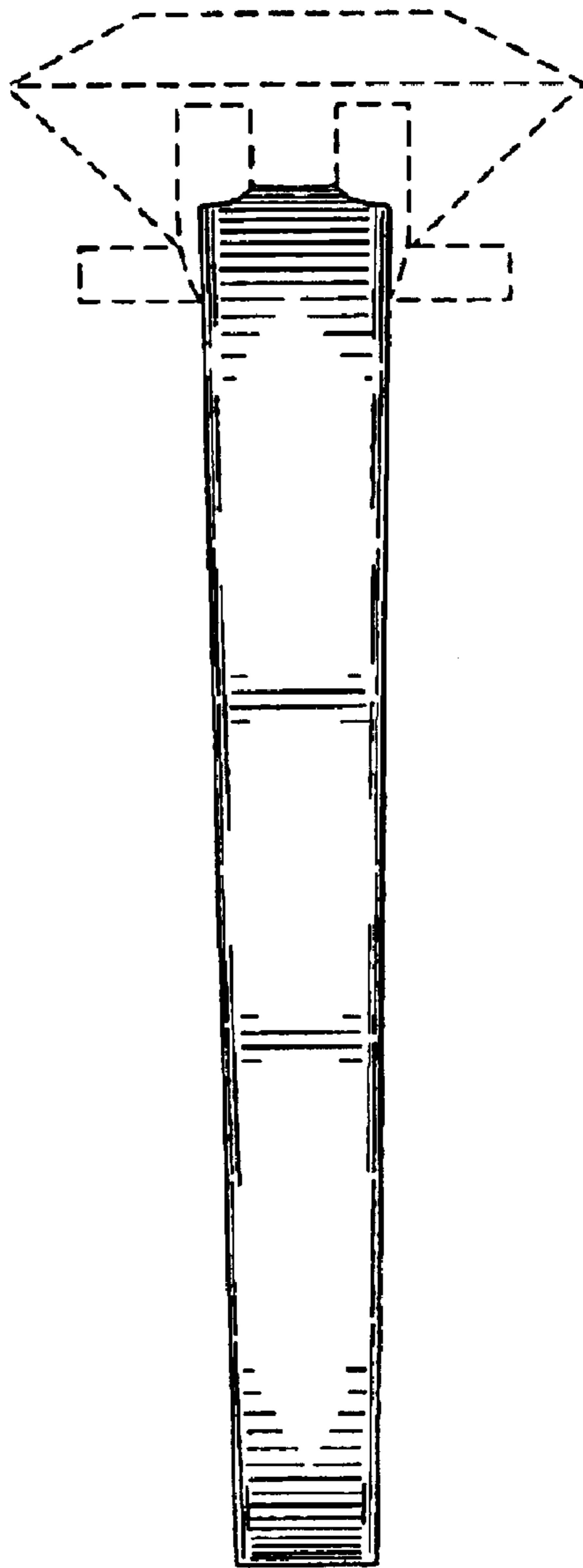


FIG. 3

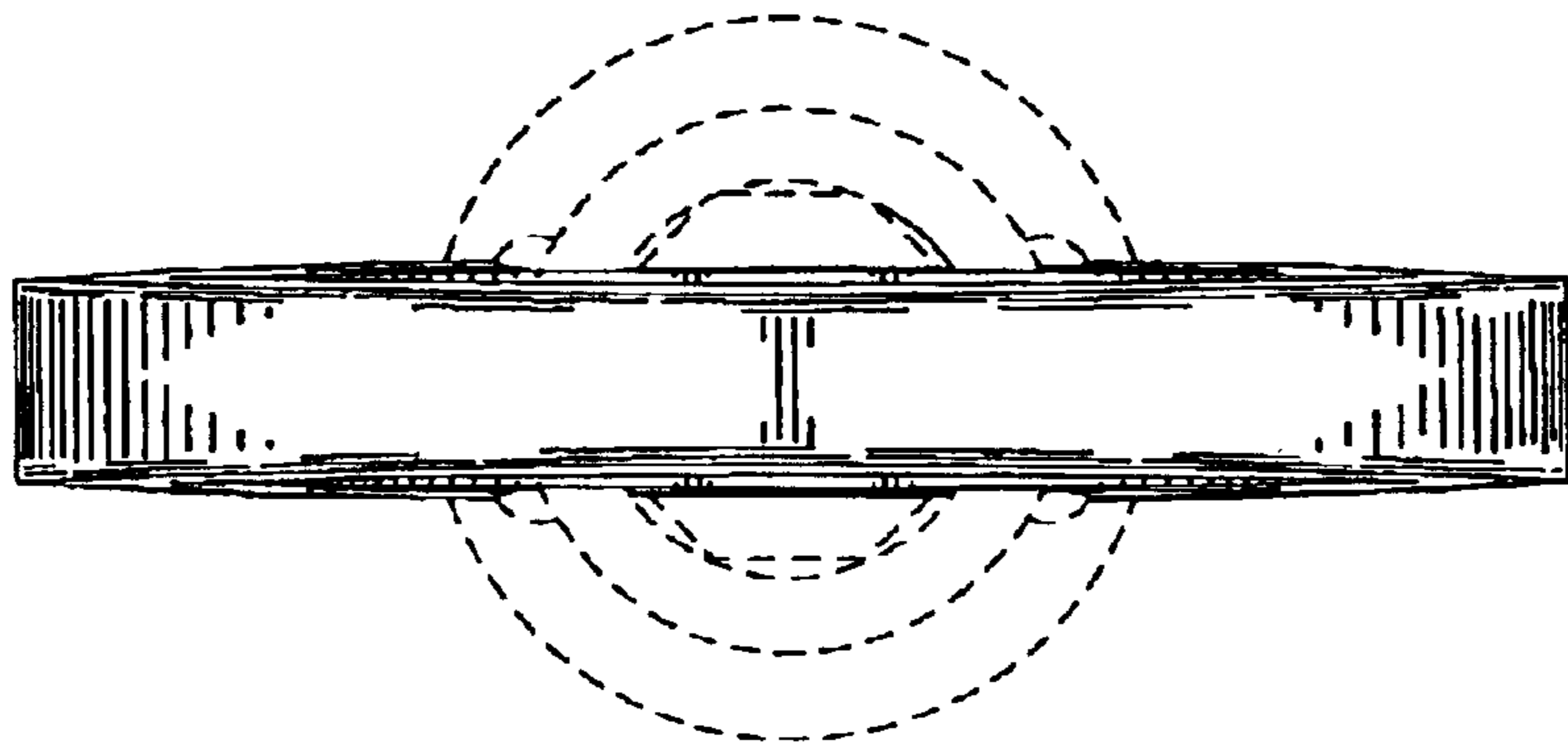


FIG. 4

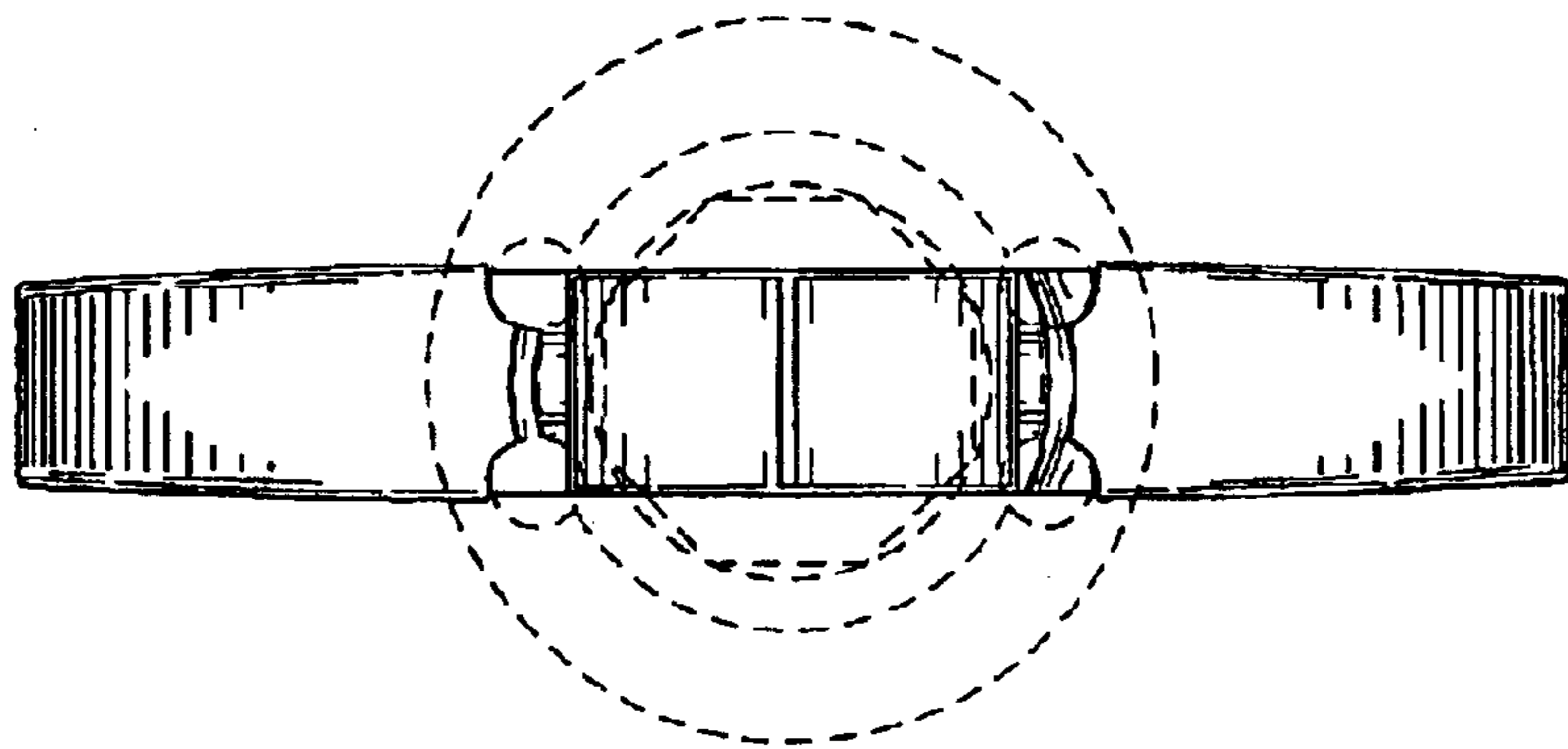


FIG. 5