



US00D490739S

(12) **United States Design Patent**
Gavin

(10) **Patent No.:** **US D490,739 S**

(45) **Date of Patent:** **** Jun. 1, 2004**

(54) **RING WITH A ROUND HEAD**

(75) **Inventor:** **Donald J. Gavin**, Los Angeles, CA
(US)

(73) **Assignee:** **Pace Enterprises**, Los Angeles, CA
(US)

(**) **Term:** **14 Years**

(21) **Appl. No.:** **29/180,106**

(22) **Filed:** **Apr. 21, 2003**

Related U.S. Application Data

(62) Division of application No. 29/167,606, filed on Sep. 17, 2002.

(51) **LOC (7) Cl.** **11-01**

(52) **U.S. Cl.** **D11/26; D10/31**

(58) **Field of Search** **D10/2, 30, 31,**
D10/39; 368/285, 10; D11/26

(56) **References Cited**

U.S. PATENT DOCUMENTS

D66,901 S * 3/1925 Suderov D10/31
2,066,437 A * 1/1937 Vitrone 368/278
D143,590 S * 1/1946 Grun D11/26

D154,887 S * 8/1949 Silverman D10/31
2,584,087 A * 1/1952 Barbieri 63/1.12
D182,205 S * 2/1958 Schrieber D10/31
D216,220 S * 12/1969 Hamin D10/31
D296,533 S * 7/1988 Colvin D11/2
D397,621 S * 9/1998 Wright et al. D10/31
D416,813 S * 11/1999 Wright et al. D10/31

* cited by examiner

Primary Examiner—Nelson C. Holtje

(74) *Attorney, Agent, or Firm*—Levisohn, Berger & Langsam, LLP

(57) **CLAIM**

The ring with a round head, shown and described in the drawings.

DESCRIPTION

FIG. 1 is a top view of a ring with a round head showing my new design;

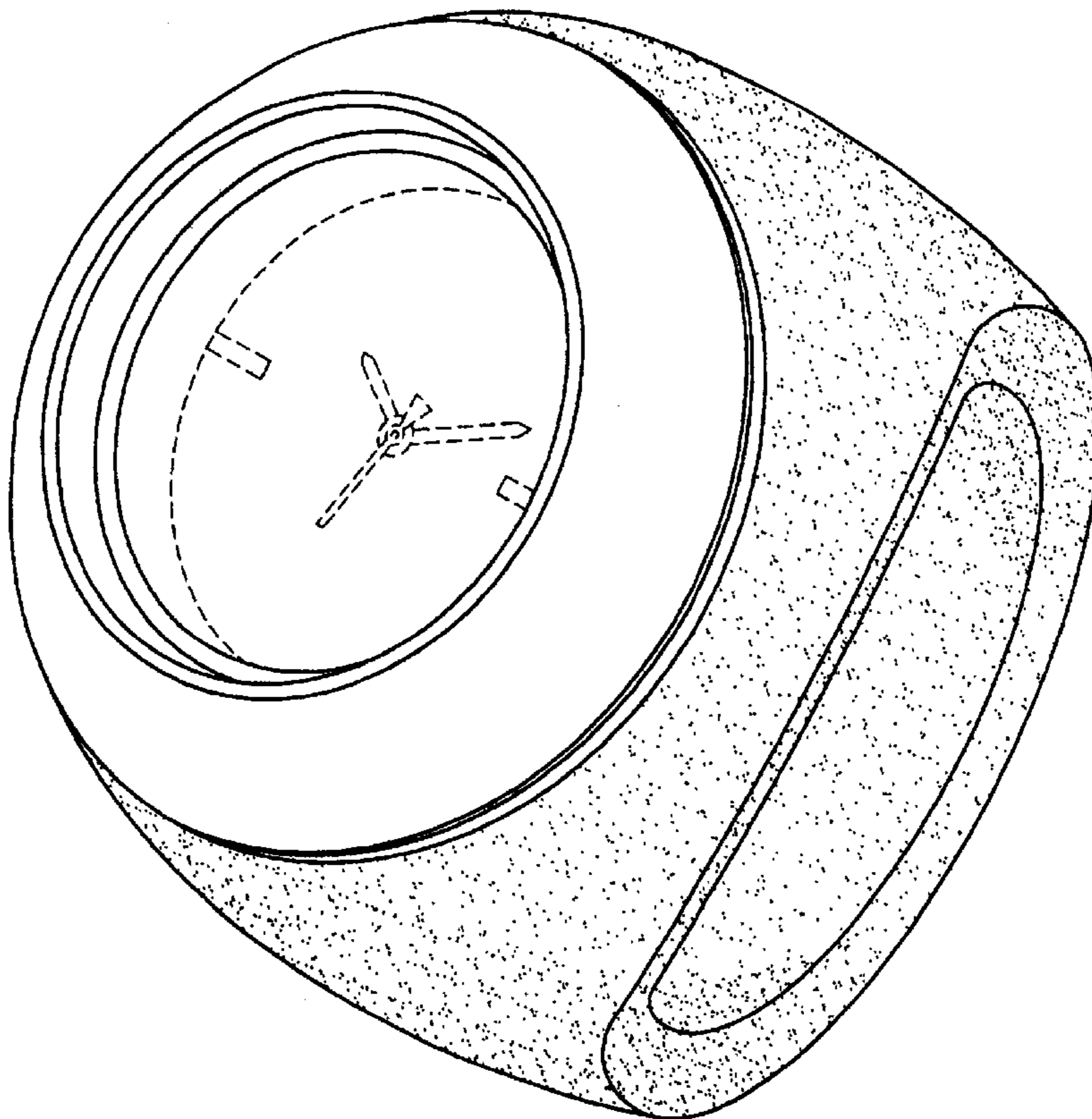
FIG. 2 is a front view thereof, the rear view is identical to the front view;

FIG. 3 is a right side view thereof, a left side view is identical to the right side view; and,

FIG. 4 is a bottom view thereof.

The broken lines shown in the drawings are for illustrative purposes only and form no part of the claimed design.

1 Claim, 4 Drawing Sheets



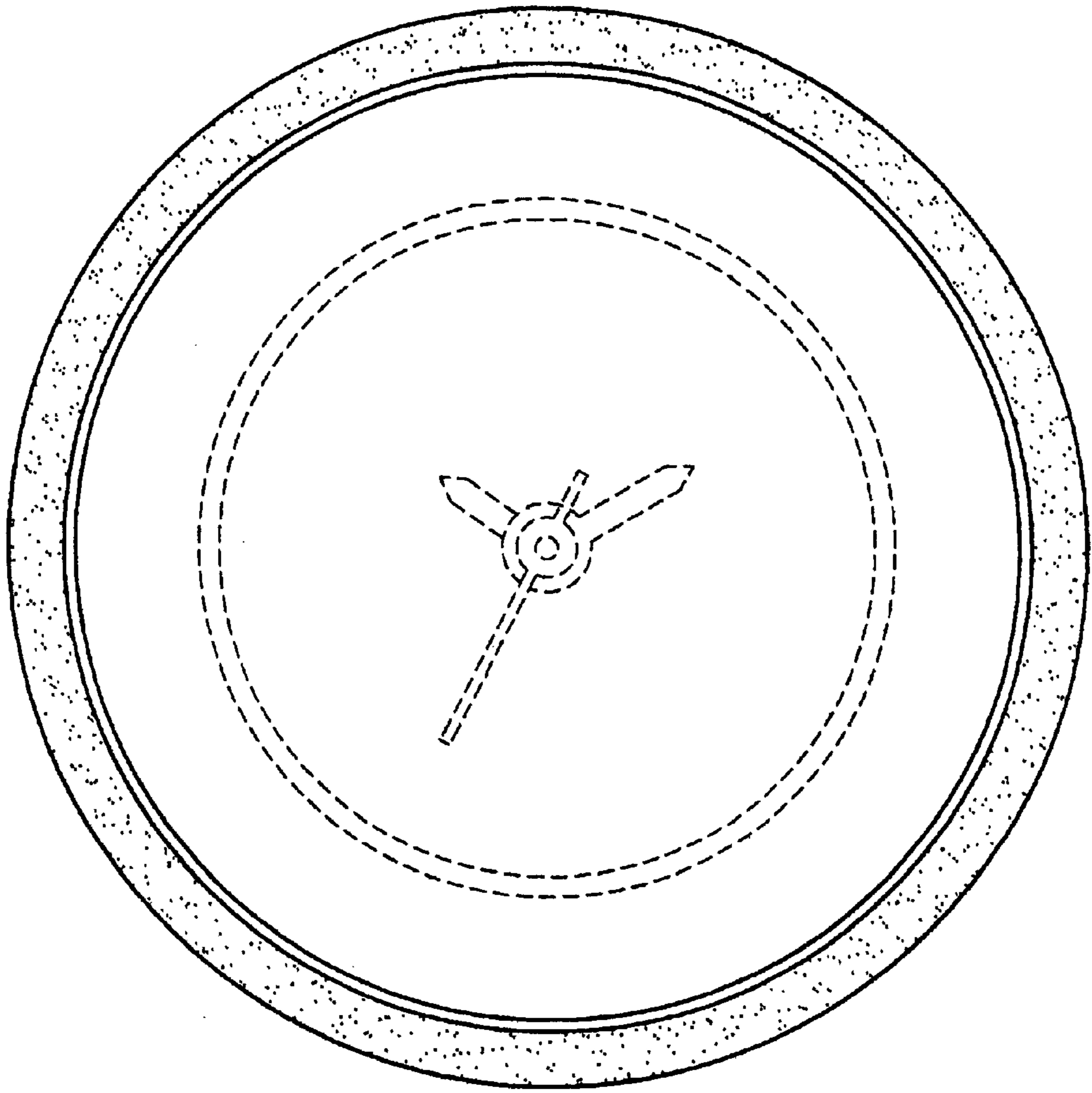


FIG. 1

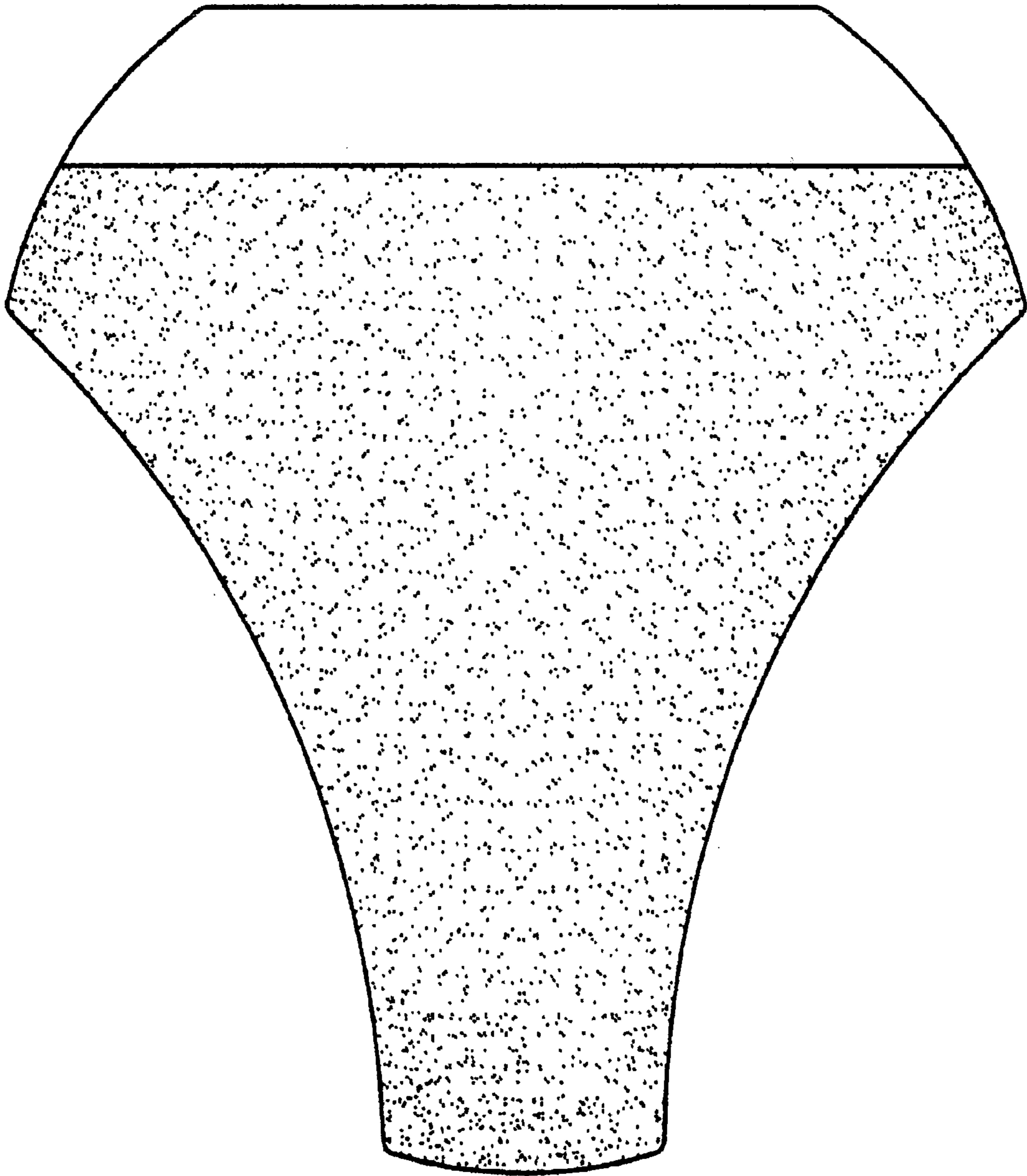


FIG. 2

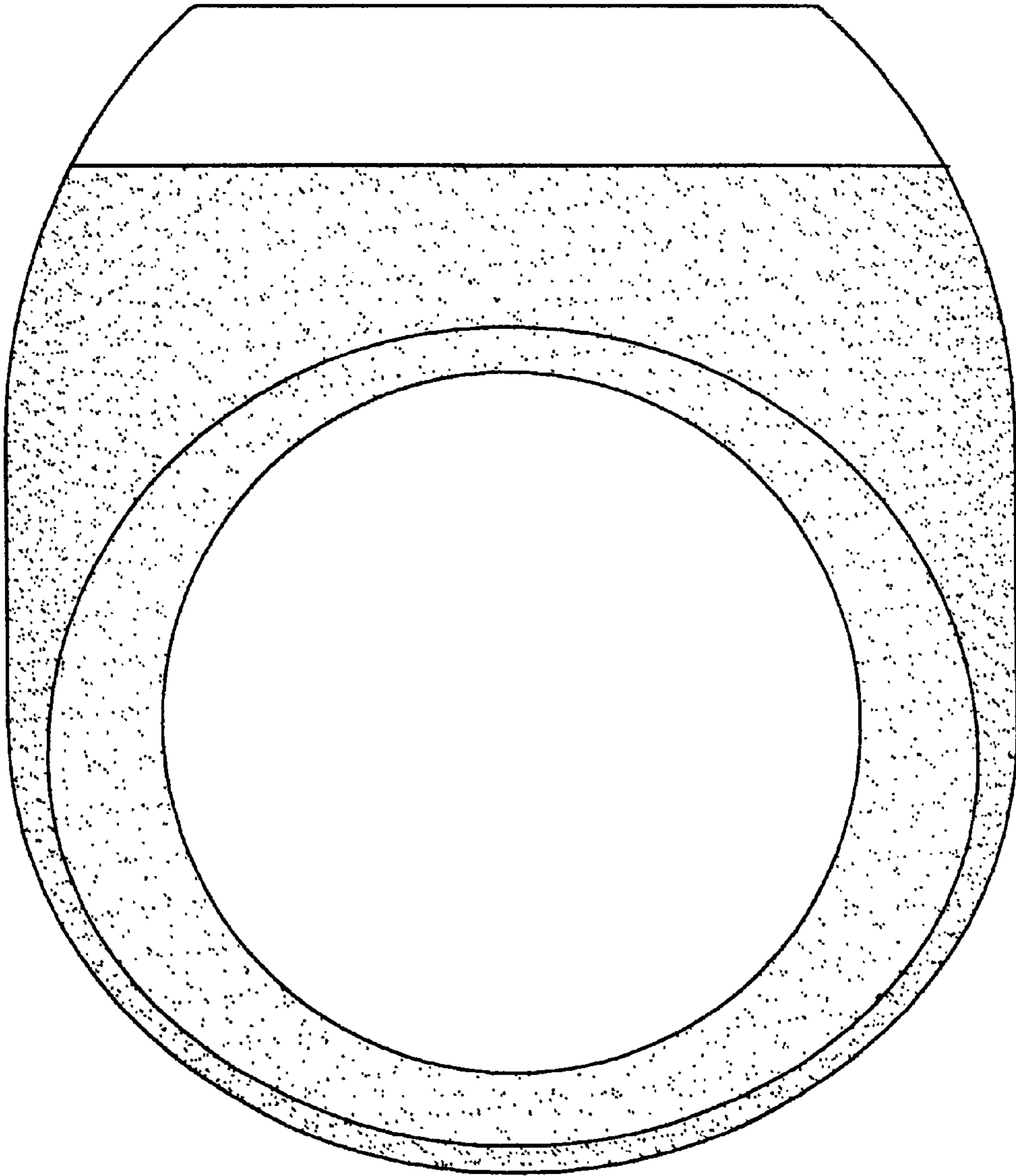


FIG. 3

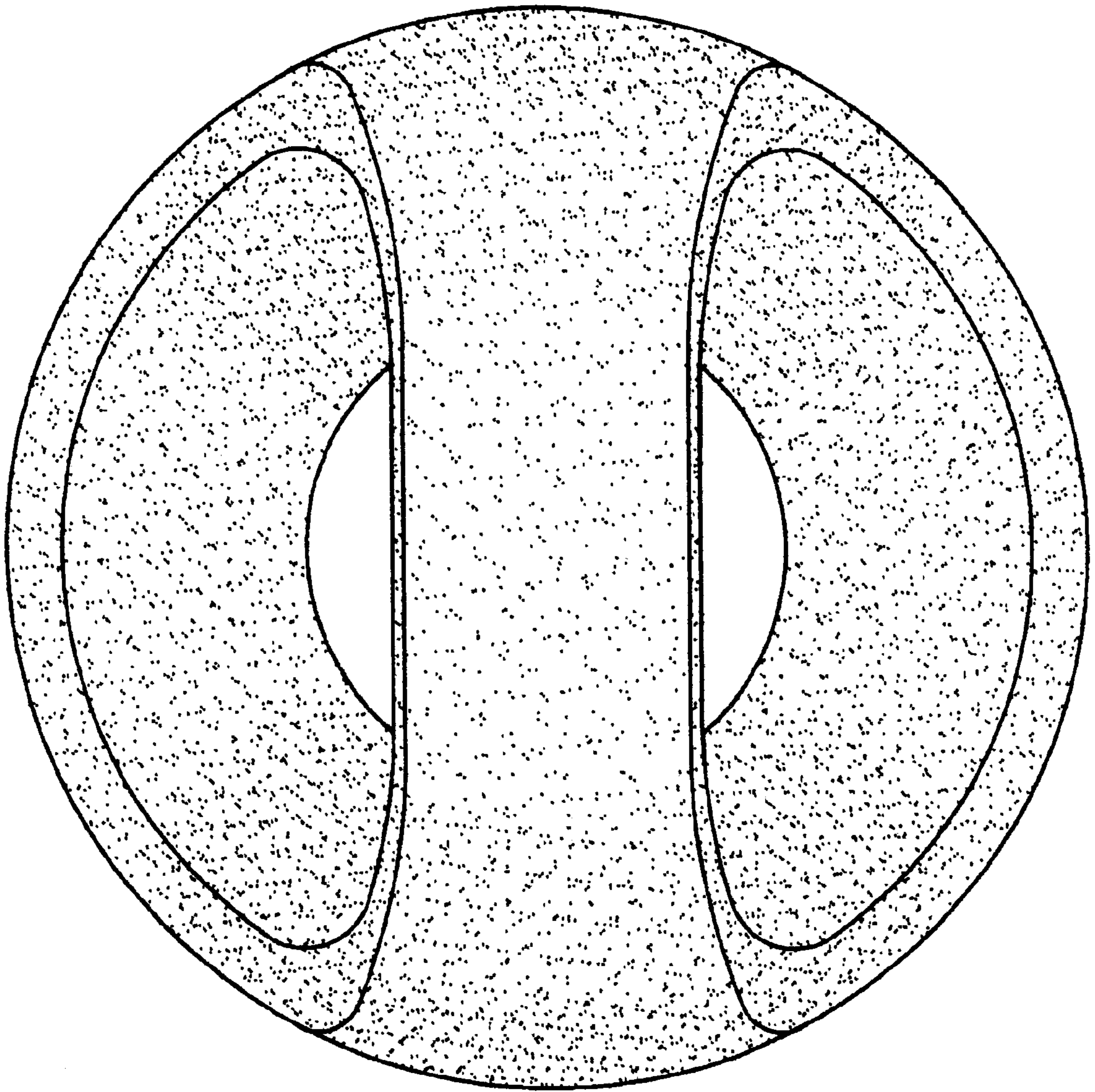


FIG. 4