



US00D490736S

(12) **United States Design Patent**
Minkowitz

(10) **Patent No.:** **US D490,736 S**

(45) **Date of Patent:** **** Jun. 1, 2004**

(54) **WRISTWATCH**

(75) **Inventor:** **Daniel Minkowitz**, Miami Beach, FL
(US)

(73) **Assignee:** **Teslar Inside Corporation**, Miami, FL
(US)

(**) **Term:** **14 Years**

(21) **Appl. No.:** **29/190,620**

(22) **Filed:** **Sep. 24, 2003**

(51) **LOC (7) Cl.** **10-05**

(52) **U.S. Cl.** **D10/128**

(58) **Field of Search** D10/1-40, 122-132;
368/280-282, 276-277, 285, 294-295

(56) **References Cited**

U.S. PATENT DOCUMENTS

- D8,569 S * 8/1875 Jerome D10/128
- D52,064 S * 9/1918 Pasznicki D10/128
- 1,936,290 A * 11/1933 Ditisheim 368/286
- D136,828 S * 12/1943 Drescher D10/128

- D417,628 S * 12/1999 Bunz D10/39
- D427,104 S * 6/2000 Cooper D10/128
- D431,202 S * 9/2000 Luscher D10/128
- D451,821 S * 12/2001 Matsuda D10/30
- D453,485 S * 2/2002 Kubo D10/128

* cited by examiner

Primary Examiner—Nelson C. Holtje

(74) *Attorney, Agent, or Firm*—Ice Miller

(57) **CLAIM**

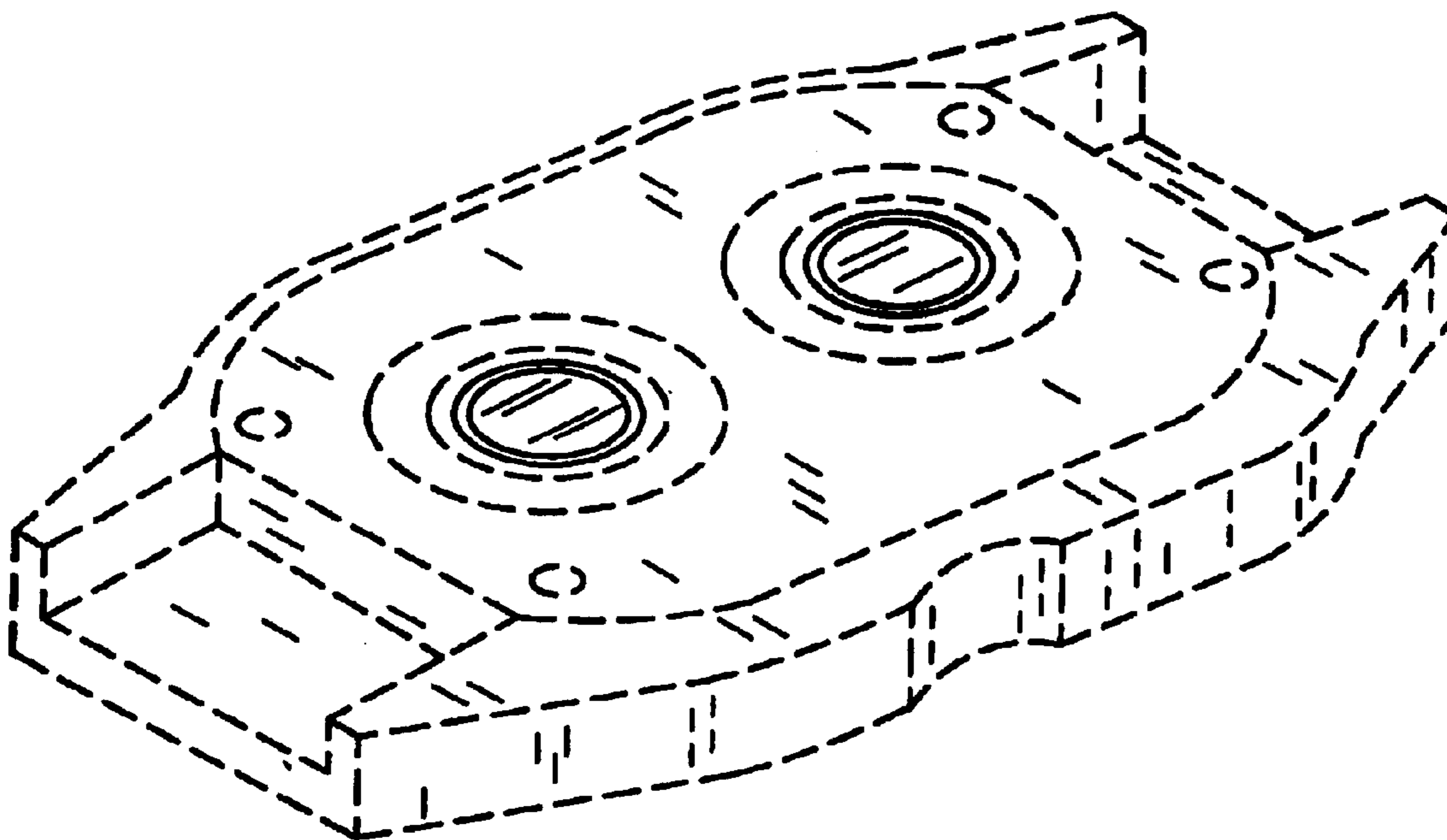
The ornamental design for a wristwatch, as shown and described.

DESCRIPTION

FIG. 1 is a plan view of the underside of a wristwatch having two transparent panes formed therein; FIG. 2 is a perspective view of the wristwatch of FIG. 1; and, FIG. 3 is a plan view of the topside of the wristwatch of FIG. 1.

The elements shown in broken lines in FIGS. 1-3 are for illustrative purposes only and form no part of the claimed design.

1 Claim, 3 Drawing Sheets



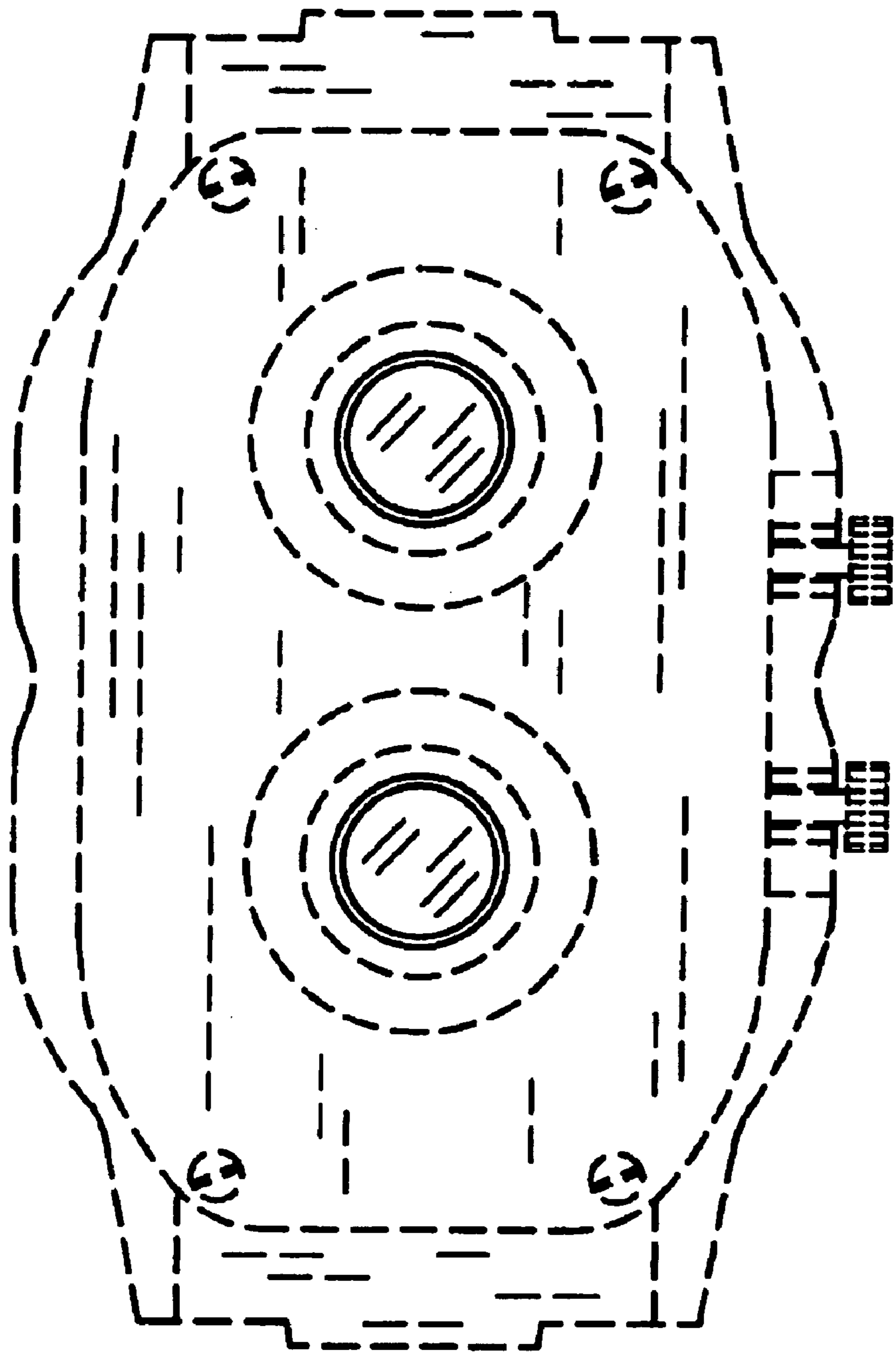


FIG. 1

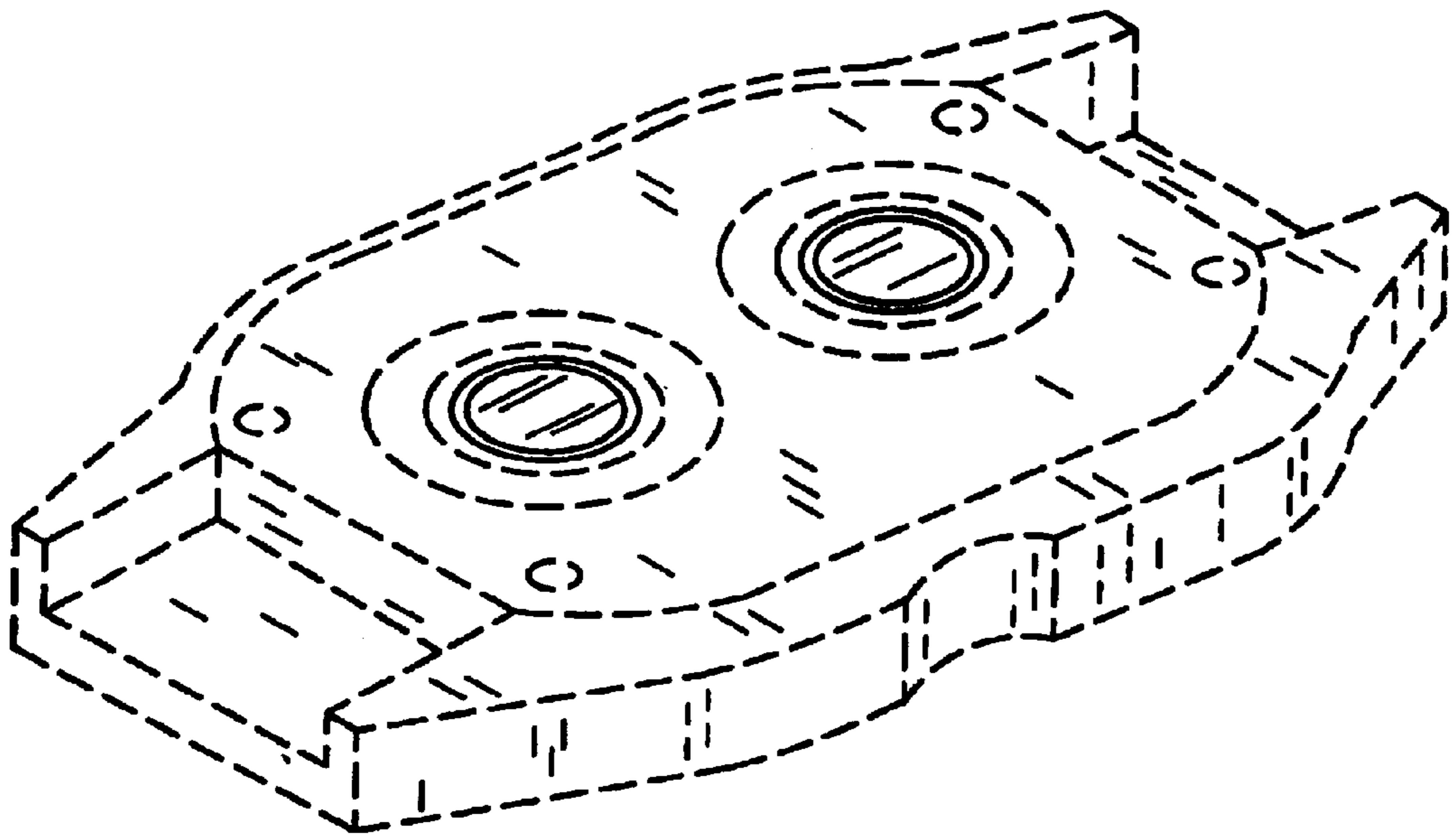


FIG. 2

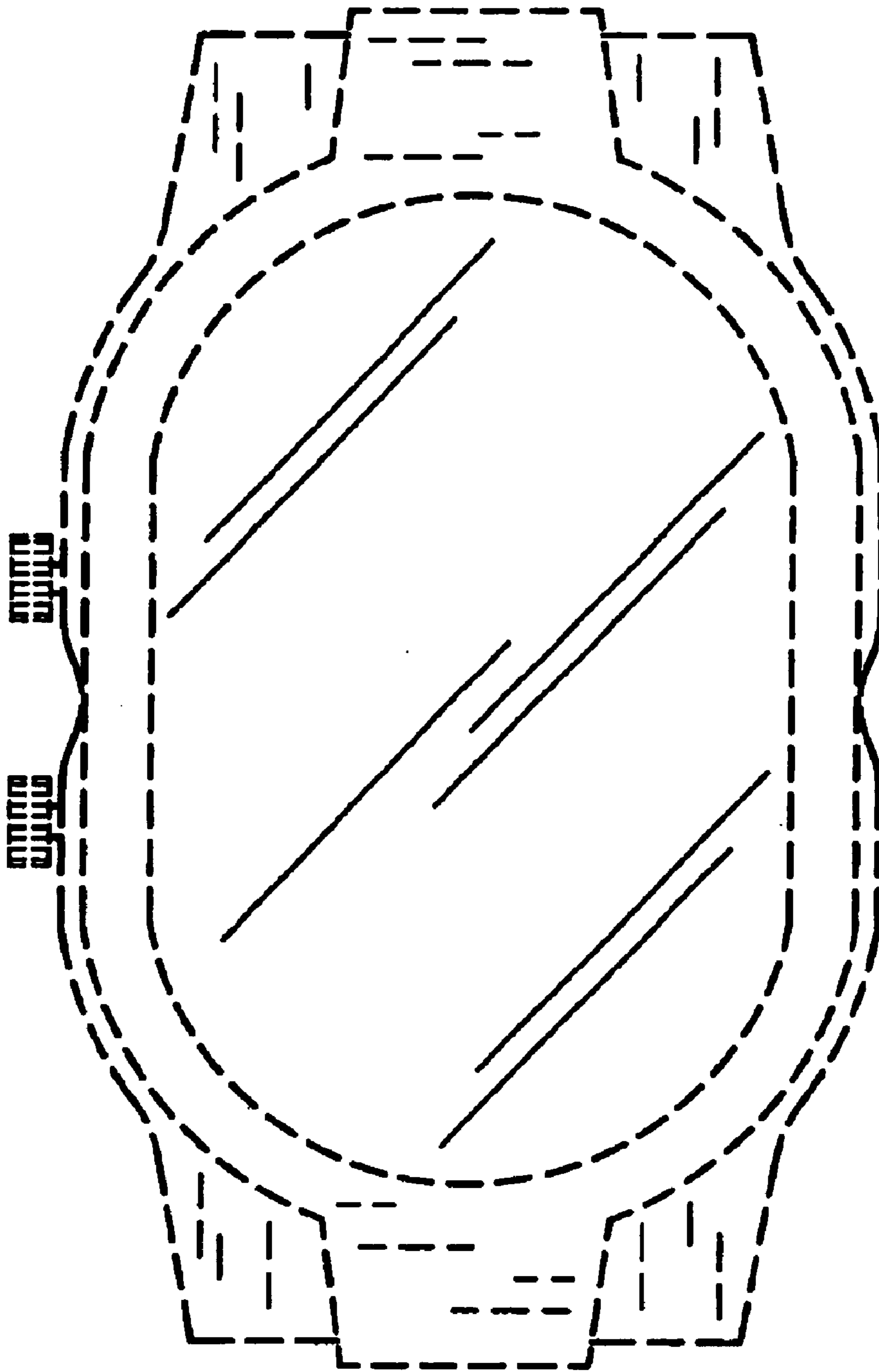


FIG. 3