



US00D490735S

(12) **United States Design Patent**
Lawler et al.

(10) **Patent No.: US D490,735 S**
(45) **Date of Patent: ** Jun. 1, 2004**

(54) **KEYPAD FOR A DIGITAL RATE CALCULATING POSTAGE SCALE**

(75) Inventors: **Matthew Lawler**, Homer Glen, IL (US); **Paul Nizzere**, Darien, IL (US); **John B. Salzman**, Chicago, IL (US); **Jacqueline M. Vossler**, Chicago, IL (US)

(73) Assignee: **Pelstar, L.L.C.**, Bridgeview, IL (US)

(**) Term: **14 Years**

4,872,119 A	10/1989	Kajimoto
4,900,904 A	2/1990	Wright et al.
D307,873 S	5/1990	Hart et al.
D313,565 S	1/1991	Carnevale
5,024,282 A	6/1991	Raikes et al.
5,050,694 A	9/1991	Liang
5,072,397 A	12/1991	Barns-Slavin et al.
5,117,364 A	5/1992	Barns-Slavin et al.
5,233,532 A	8/1993	Ramsden
5,255,196 A	10/1993	Tran et al.
5,307,281 A	4/1994	Wollmann

(List continued on next page.)

(21) Appl. No.: **29/176,909**

(22) Filed: **Feb. 28, 2003**

(51) **LOC (7) Cl. 10-04**

(52) **U.S. Cl. D10/94; D14/399**

(58) **Field of Search** D10/94, 103; 172/238-245, 172/264; D14/338, 346, 392, 393, 399; 361/680-686, 690, 696; 177/238-245

(56) **References Cited**

U.S. PATENT DOCUMENTS

3,635,297 A	1/1972	Salava
3,951,221 A	4/1976	Rock
4,084,242 A	4/1978	Conti
4,122,532 A	10/1978	Dlugos et al.
4,138,735 A	2/1979	Allocca et al.
4,286,325 A	8/1981	Dlugos et al.
4,320,461 A	3/1982	Dlugos
D274,795 S	7/1984	Wirth
4,462,473 A	7/1984	Valestin
4,495,581 A	1/1985	Piccione
4,499,545 A	2/1985	Daniels et al.
4,504,915 A	3/1985	Daniels et al.
4,506,330 A	3/1985	Dlugos
4,516,209 A	5/1985	Scribner
4,535,419 A	8/1985	Dlugos et al.
4,598,780 A	7/1986	Iwasaki et al.
4,649,490 A	3/1987	Manduley et al.
4,660,160 A	4/1987	Tajima et al.
4,718,506 A	1/1988	Hills
4,802,218 A	1/1989	Wright et al.
D300,124 S	3/1989	Bungener

FOREIGN PATENT DOCUMENTS

EP	0 099 666 A2	2/1984
EP	0 155 671 A2	9/1985
GB	2 185443 A	7/1987

OTHER PUBLICATIONS

Product catalog entitled "Royal® rC⁴⁰ Rate Calculating Scale, Instruction Manual", 30 pages (two-sided).
Product brochure of Pelouze®, (a product of Signature Brands, Inc.), Heavy Duty Portion Control Scale Model FS6 Operating Instructions, (two-sided), ©1997.

Primary Examiner—Antoine Duval Davis
(74) Attorney, Agent, or Firm—Wallenstein Wagner & Rockey, Ltd.

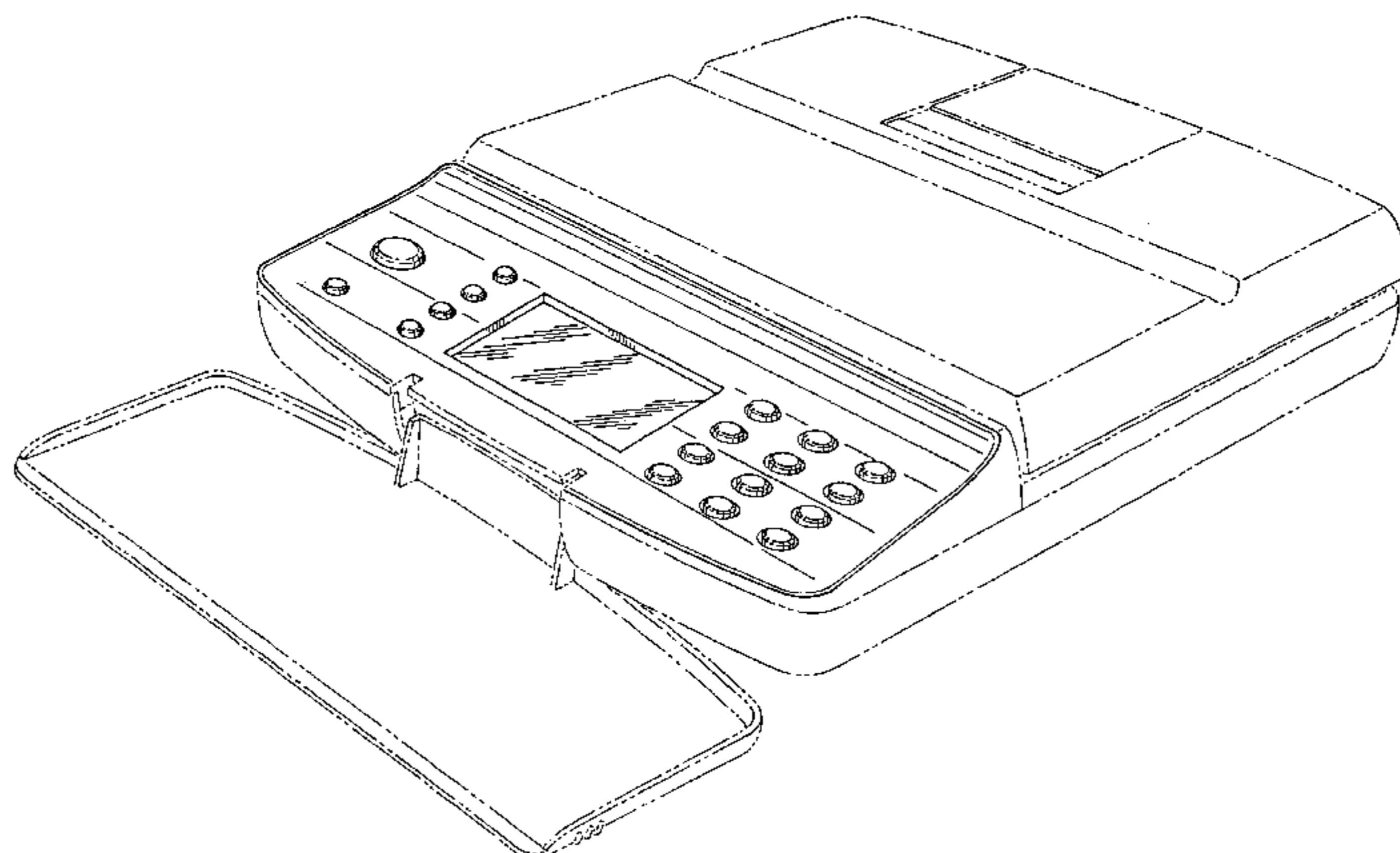
(57) **CLAIM**

The ornamental design for a keypad for a digital rate calculating postage scale, as shown and described.

DESCRIPTION

FIG. 1 is a perspective view of a keypad for a rate calculating postage scale according to the new design.
FIG. 2 is a bottom view of the keypad shown in FIG. 1.
FIG. 3 is a side view of the keypad shown in FIG. 1.
FIG. 4 is an opposite side view of the keypad shown in FIG. 3; and,
FIG. 5 is a front end view of the keypad shown in FIG. 1.
Features shown in broken lines in the drawings are not part of the claim.

1 Claim, 3 Drawing Sheets



US D490,735 S

Page 2

U.S. PATENT DOCUMENTS

5,337,246 A	8/1994	Carroll et al.	5,831,220 A	11/1998	Ramsden et al.
5,340,948 A	8/1994	Ramsden	5,852,813 A	12/1998	Guenther et al.
5,369,221 A	11/1994	Ramsden	D404,422 S	1/1999	Beckstrom et al.
5,406,036 A	4/1995	Haug	D414,798 S	10/1999	Brooks et al.
D358,415 S	5/1995	Klein	6,047,273 A	4/2000	Vaghi
D361,780 S	8/1995	Jenkins	6,064,991 A	5/2000	Reisinger et al.
D366,002 S *	1/1996	Brooks, Jr. D10/91	6,098,057 A	8/2000	Dlugos
5,481,464 A	1/1996	Ramsden	6,105,014 A	8/2000	Ramsden et al.
5,490,077 A	2/1996	Freytag	D431,482 S *	10/2000	Marmier D10/94
5,608,636 A	3/1997	Guenther	6,175,825 B1	1/2001	Fruechtel
D380,770 S	7/1997	Muchenberger et al.	6,233,568 B1	5/2001	Kara
5,656,799 A	8/1997	Ramsden et al.	6,249,778 B1	6/2001	Vaghi
5,699,258 A	12/1997	Thiel	D452,266 S	12/2001	Weirsmann et al.
5,710,706 A	1/1998	Märkl et al.	D452,831 S *	1/2002	Dwertmann D10/91
5,729,459 A	3/1998	Brandien et al.	6,356,882 B1	3/2002	Carroll et al.
5,731,980 A	3/1998	Dolan et al.	D458,860 S *	6/2002	Dwertmann D10/91
5,787,400 A	7/1998	Weber	2001/0034608 A1	10/2001	Gendreau
D398,335 S	9/1998	Friedrich et al.	2002/0007353 A1	1/2002	Kornacki

* cited by examiner

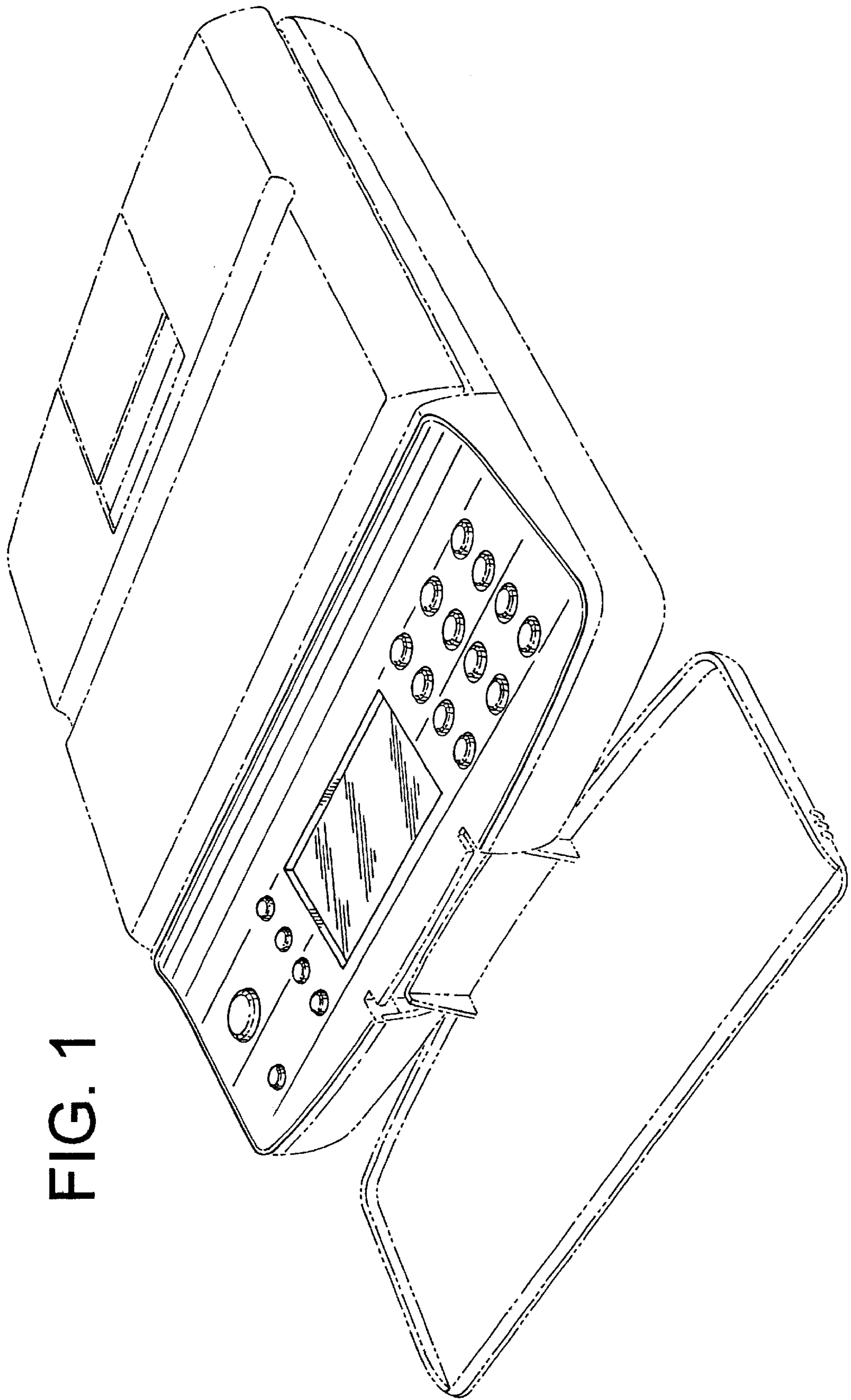


FIG. 1

FIG. 2

