



US00D490730S

(12) **United States Design Patent**
Levine et al.

(10) **Patent No.:** **US D490,730 S**

(45) **Date of Patent:** **** Jun. 1, 2004**

(54) **TAPE MEASURE**

(75) Inventors: **Steven R. Levine**, Mooresville, NC (US); **Lindsay J. Klebenow**, Charlotte, NC (US)

(73) Assignee: **Irwin Industrial Tool Company**, Freeport, IL (US)

(**) Term: **14 Years**

(21) Appl. No.: **29/170,695**

(22) Filed: **Nov. 12, 2002**

(51) **LOC (7) Cl.** **10-04**

(52) **U.S. Cl.** **D10/72**

(58) **Field of Search** D10/72; 33/755-770

(56) **References Cited**

U.S. PATENT DOCUMENTS

6,272,765 B1 * 8/2001 Li 33/769
D471,118 S * 3/2003 Evans, Jr. D10/72

* cited by examiner

Primary Examiner—Antoine Duval Davis

(74) *Attorney, Agent, or Firm*—Brinks Hofer Gilson & Lione

(57) **CLAIM**

The ornamental design for a tape measure, as shown and described.

DESCRIPTION

FIG. 1 is a perspective view of an embodiment of the tape measure;

FIG. 2 is a side view of the embodiment of FIG. 1, the opposite side being a substantial mirror image;

FIG. 3 is a rear view of the embodiment of FIG. 1;

FIG. 4 is a front view of the embodiment of FIG. 1;

FIG. 5 is a top view of the embodiment of FIG. 1;

FIG. 6 is a bottom view of the embodiment of FIG. 1;

FIG. 7 is a perspective view of an alternate embodiment of the tape measure;

FIG. 8 is a side view of the embodiment of FIG. 7, the opposite side being a substantial mirror image;

FIG. 9 is a rear view of the embodiment of FIG. 7;

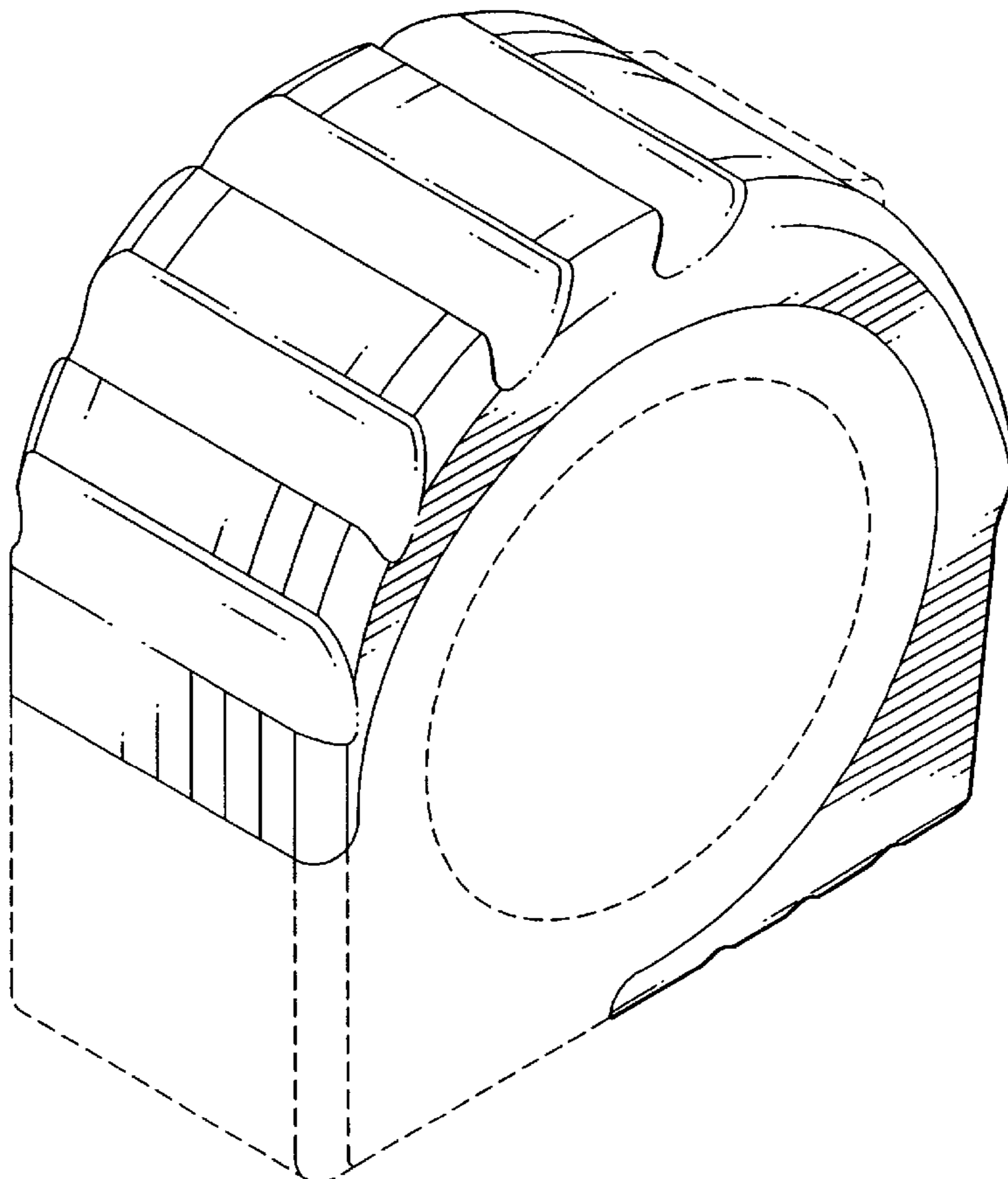
FIG. 10 is a front view of the embodiment of FIG. 7;

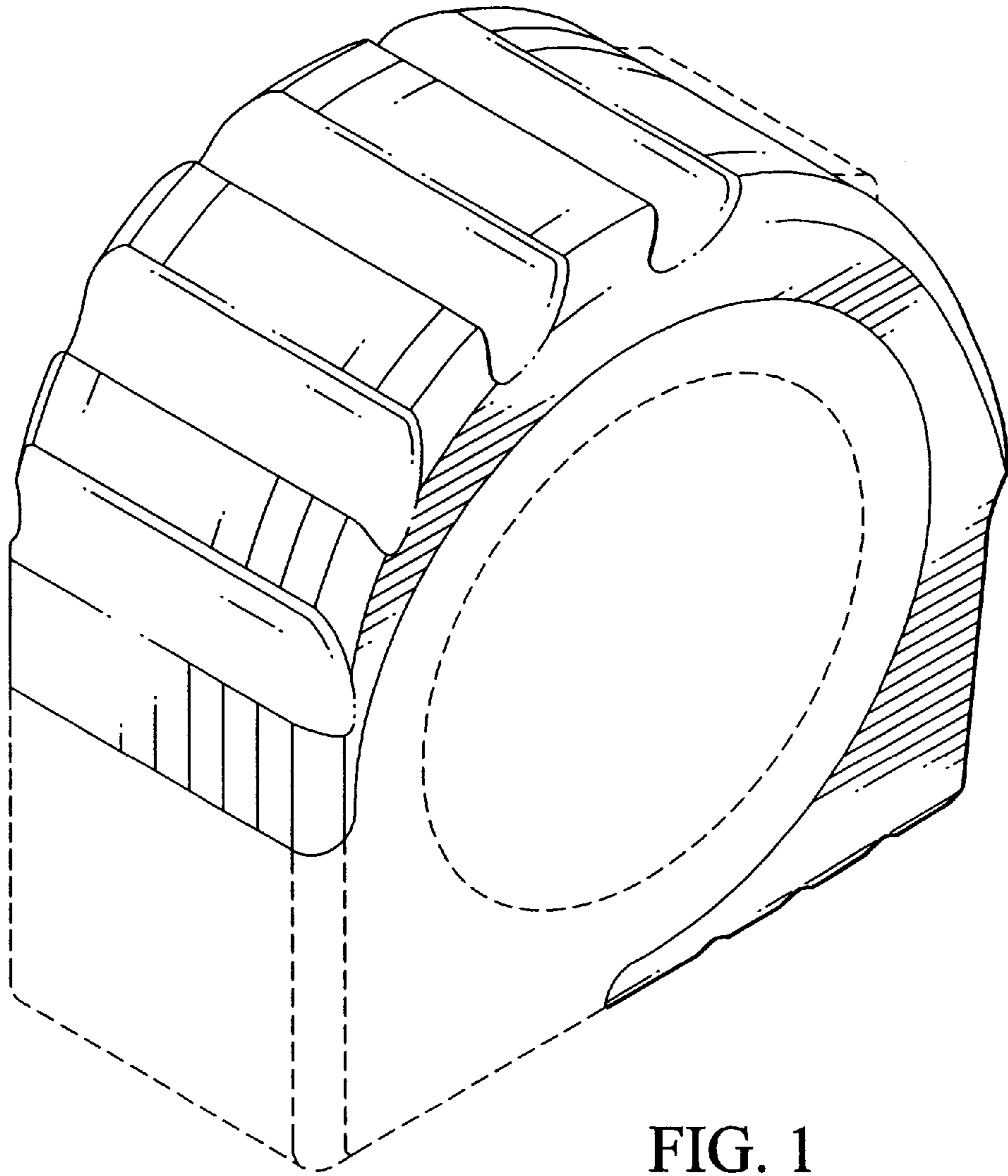
FIG. 11 is a top view of the embodiment of FIG. 7; and,

FIG. 12 is a bottom view of the embodiment of FIG. 7.

The dotted lines indicate components for illustrative purposes only and form no part of the subject design.

1 Claim, 10 Drawing Sheets





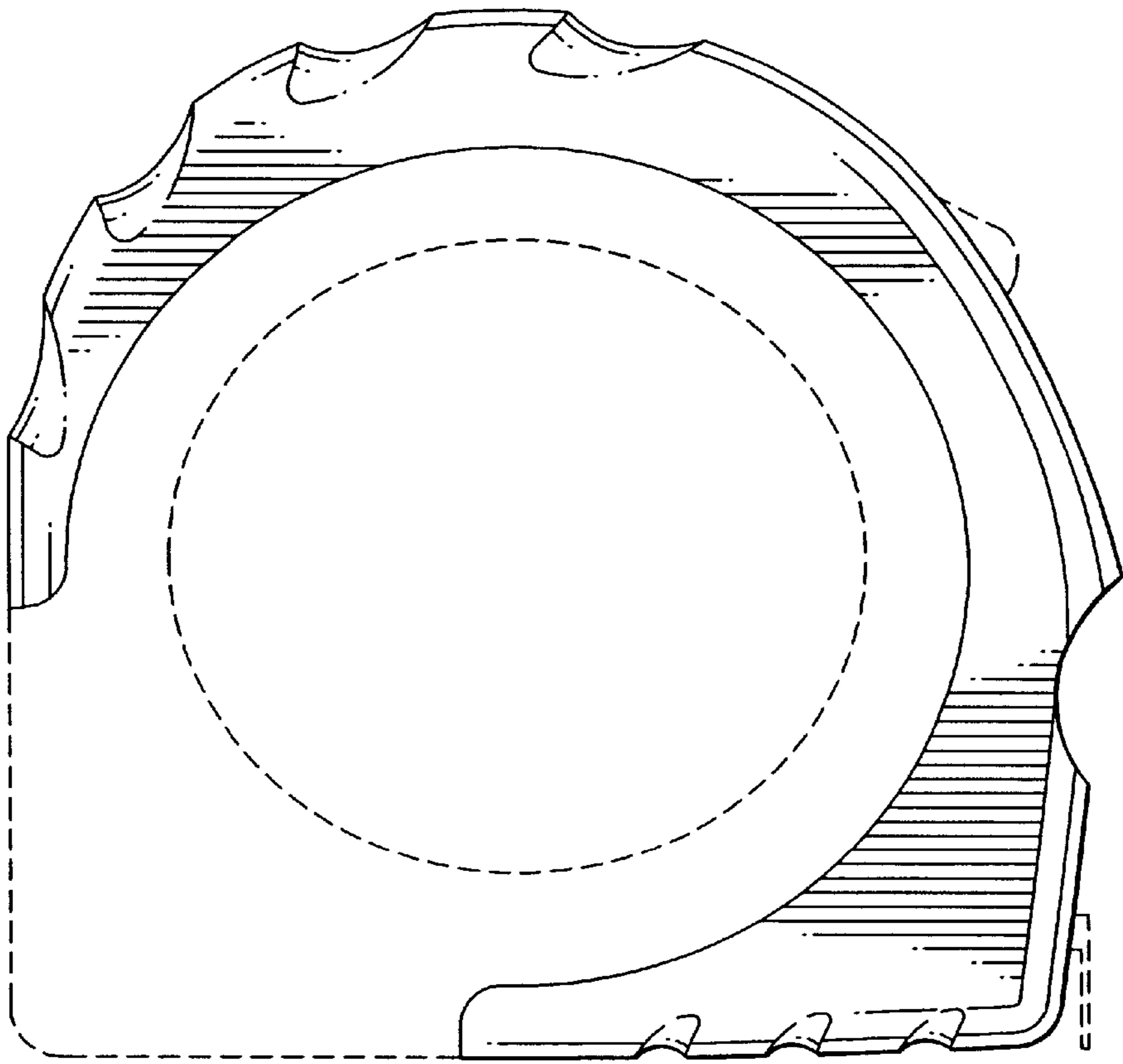


FIG. 2

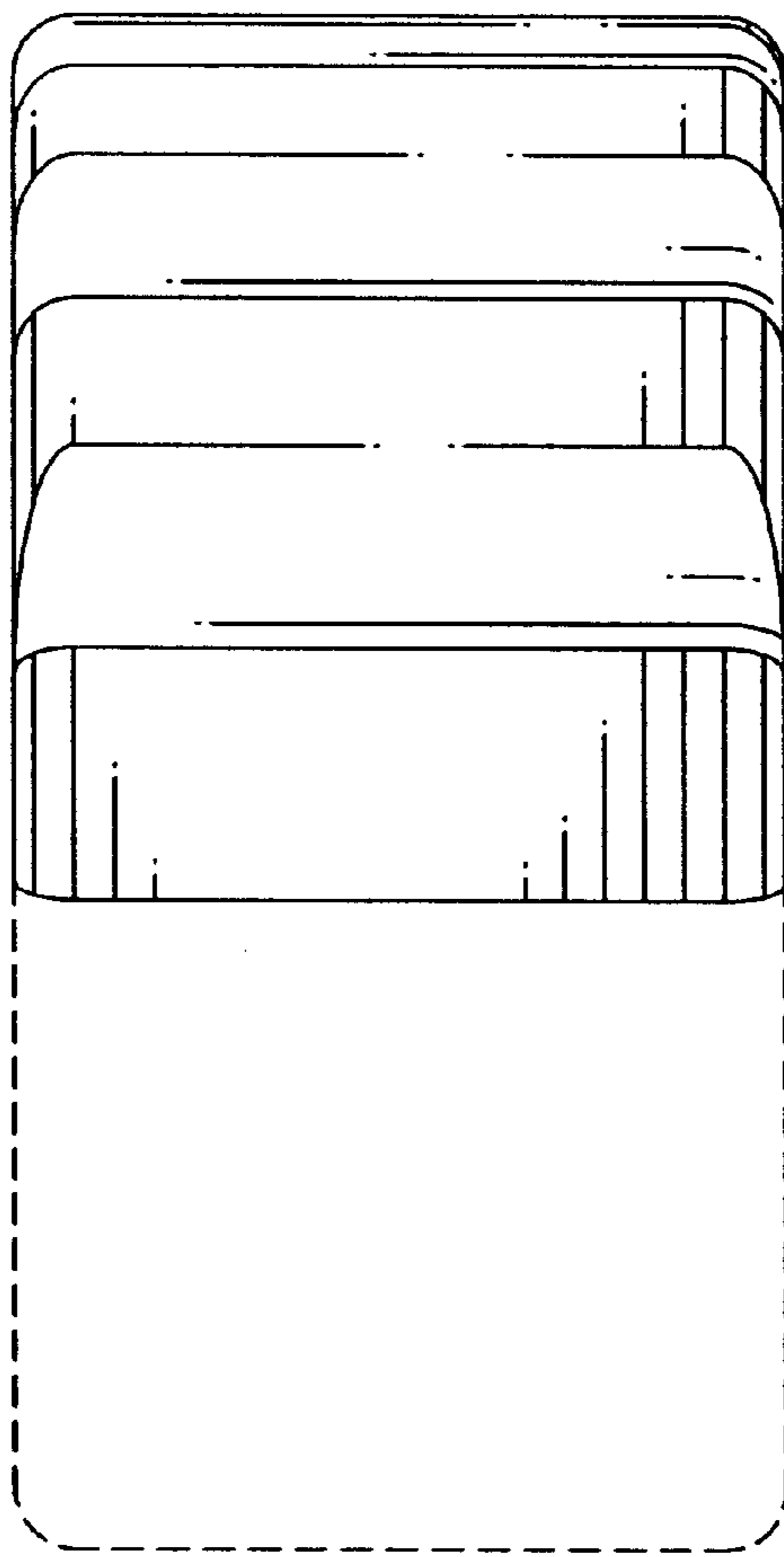


FIG. 3

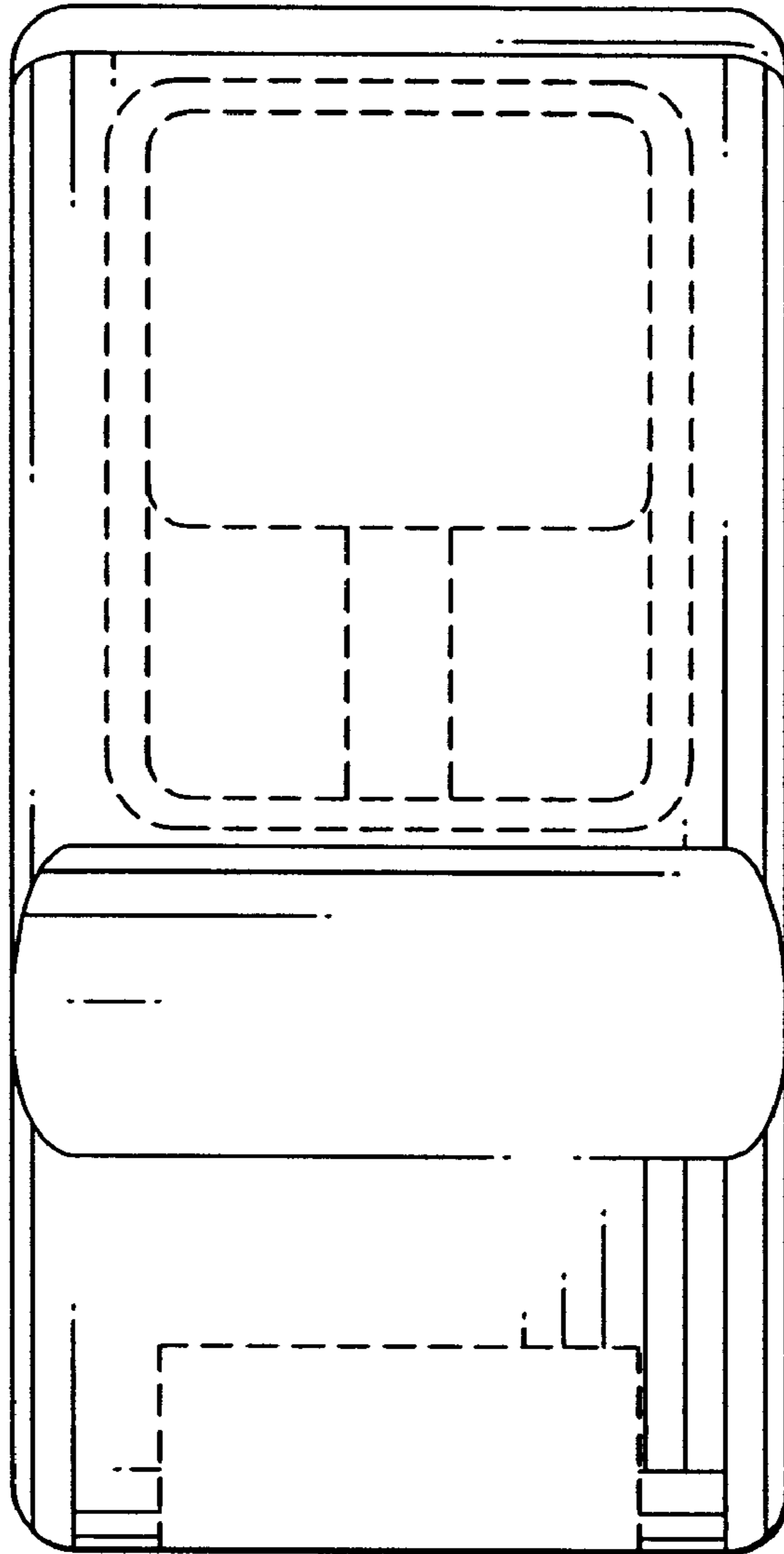


FIG. 4

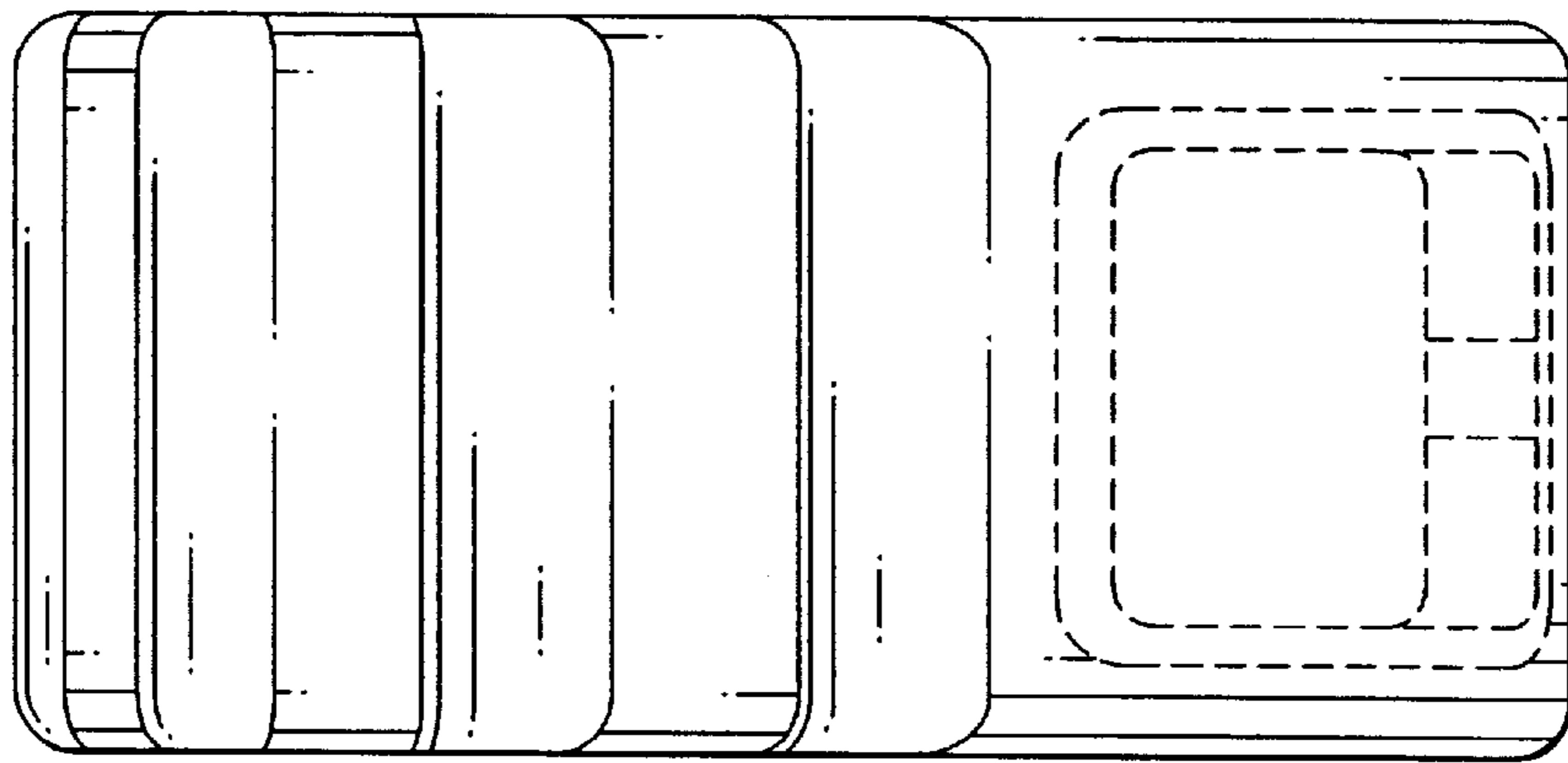


FIG. 5

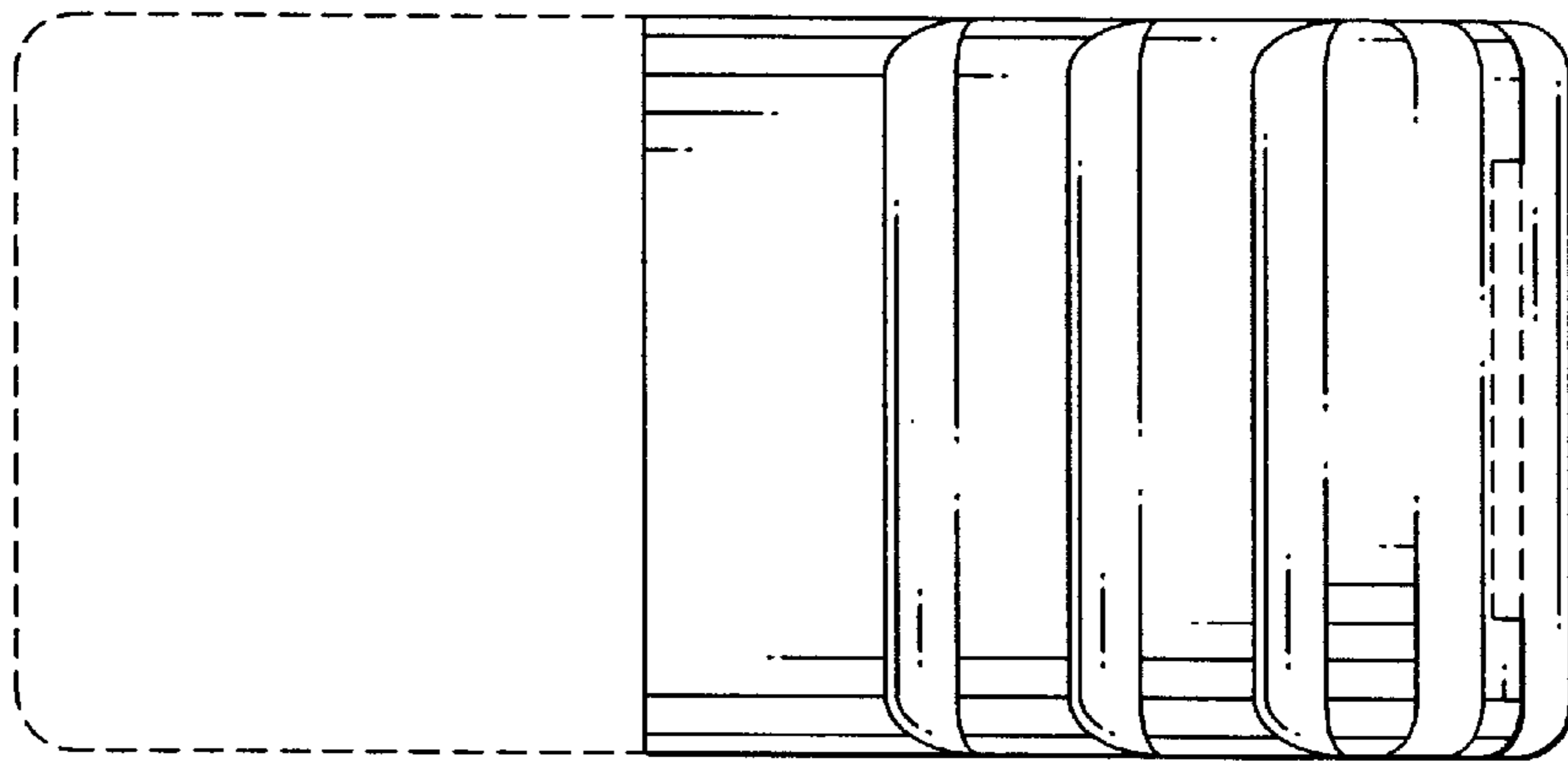


FIG. 6

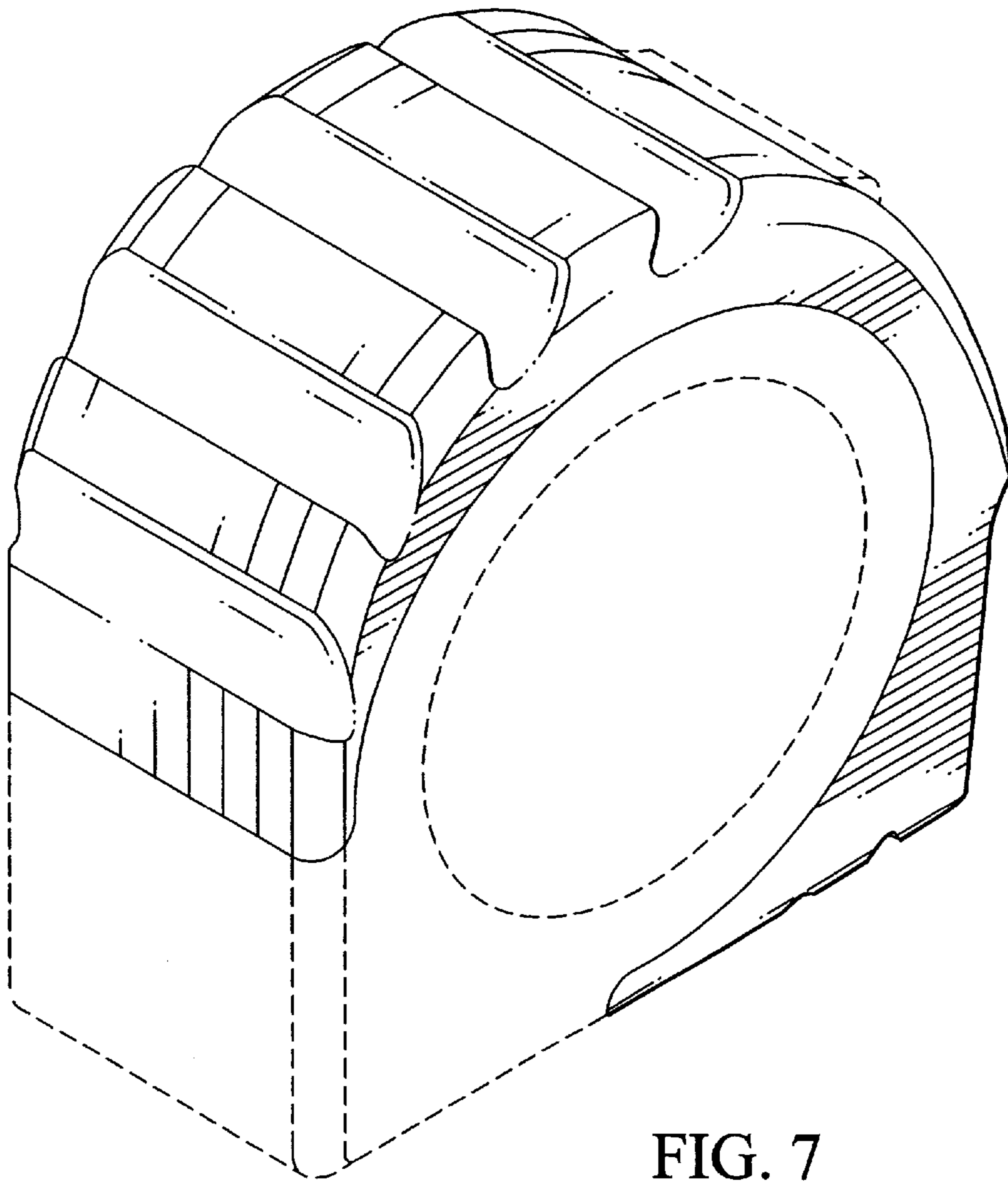


FIG. 7

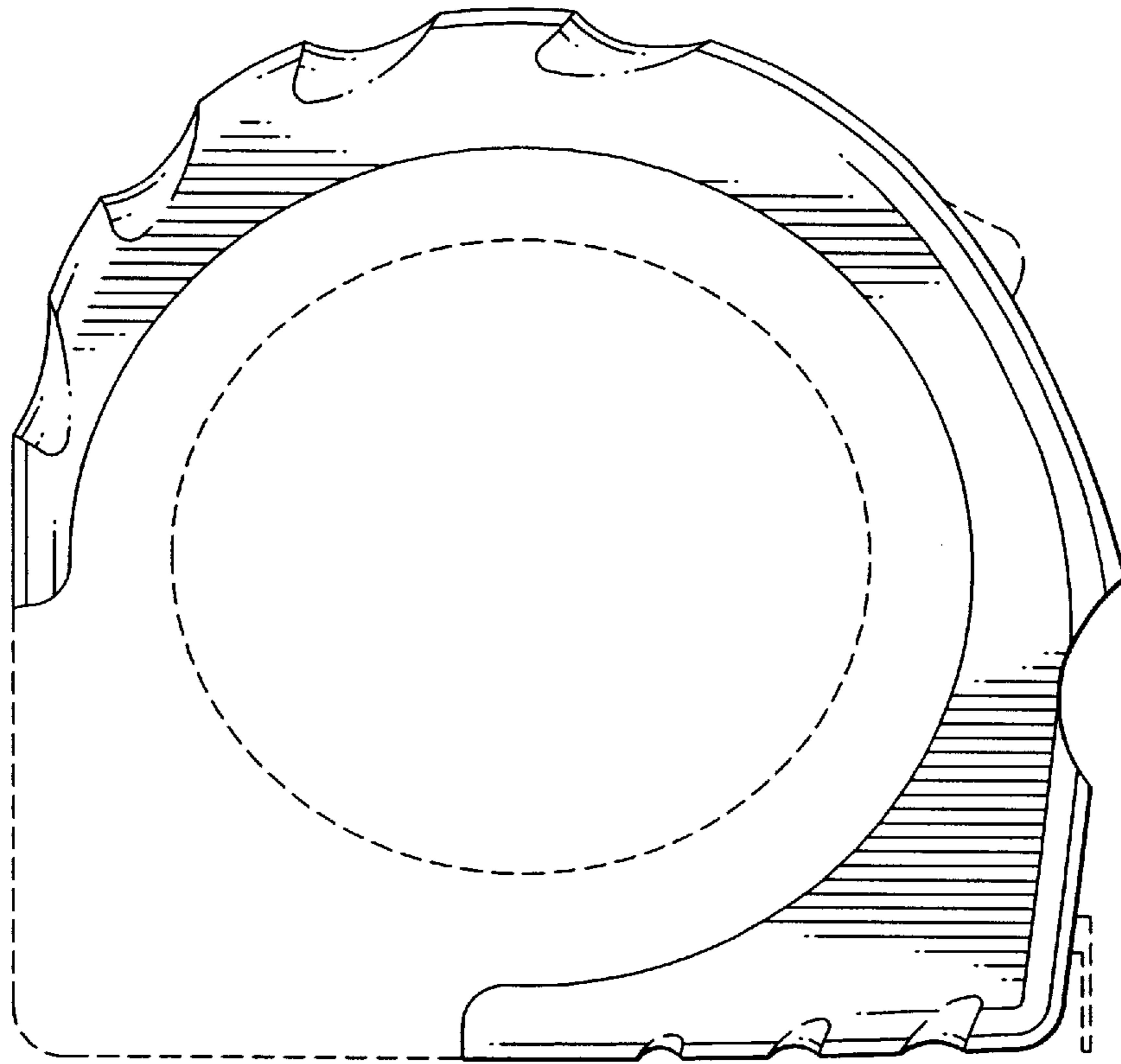


FIG. 8

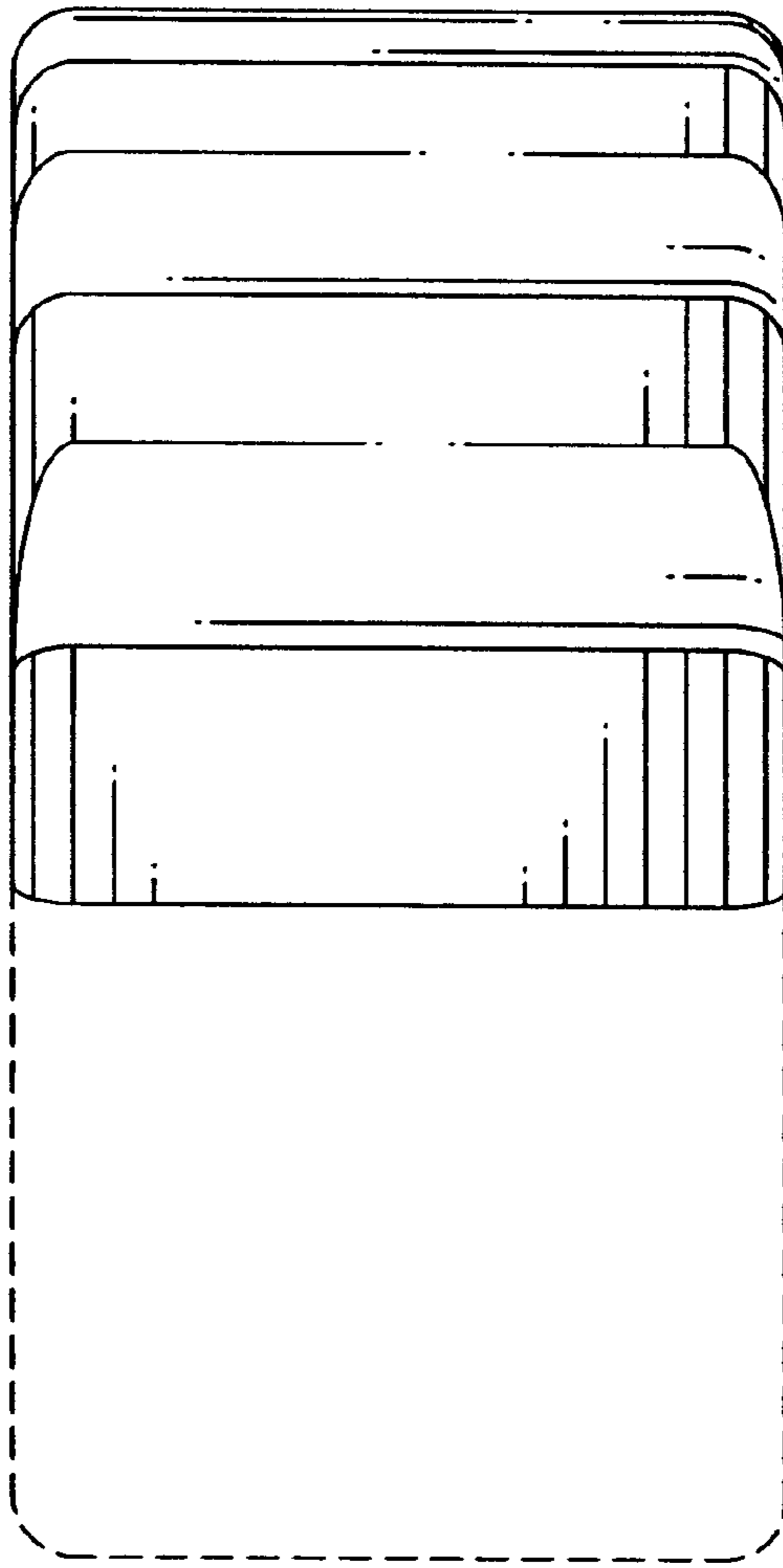


FIG. 9

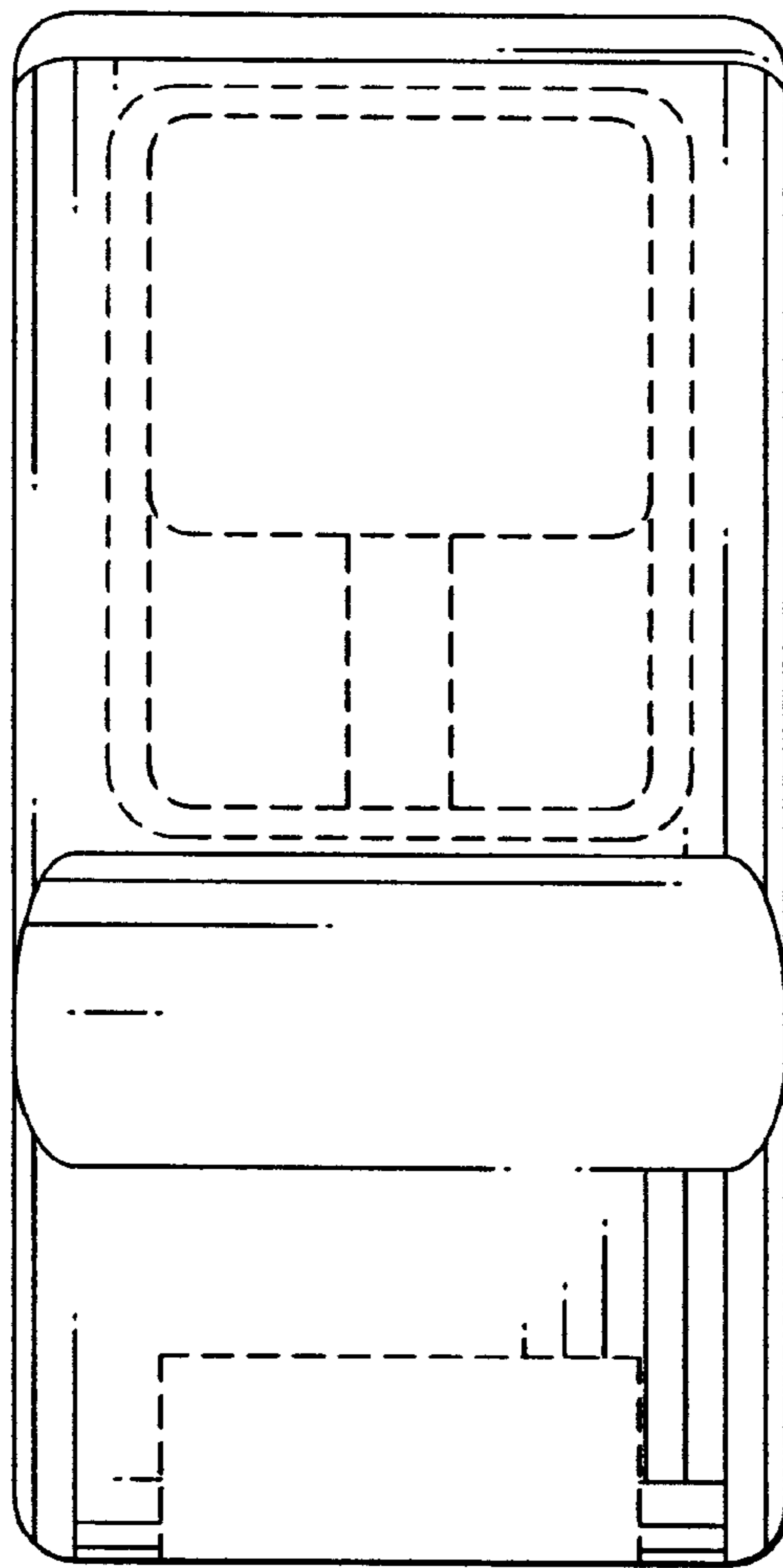


FIG. 10

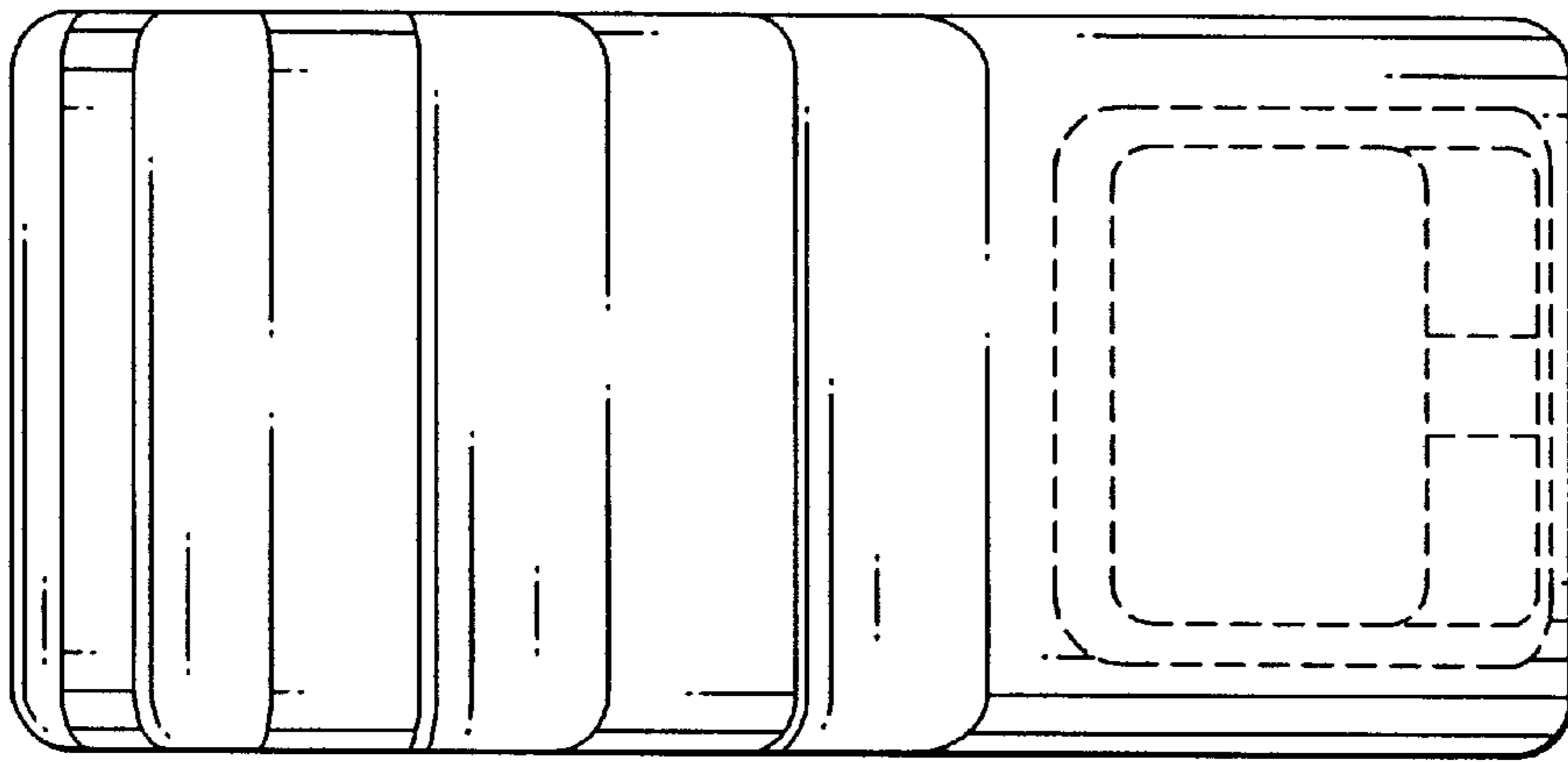


FIG. 11

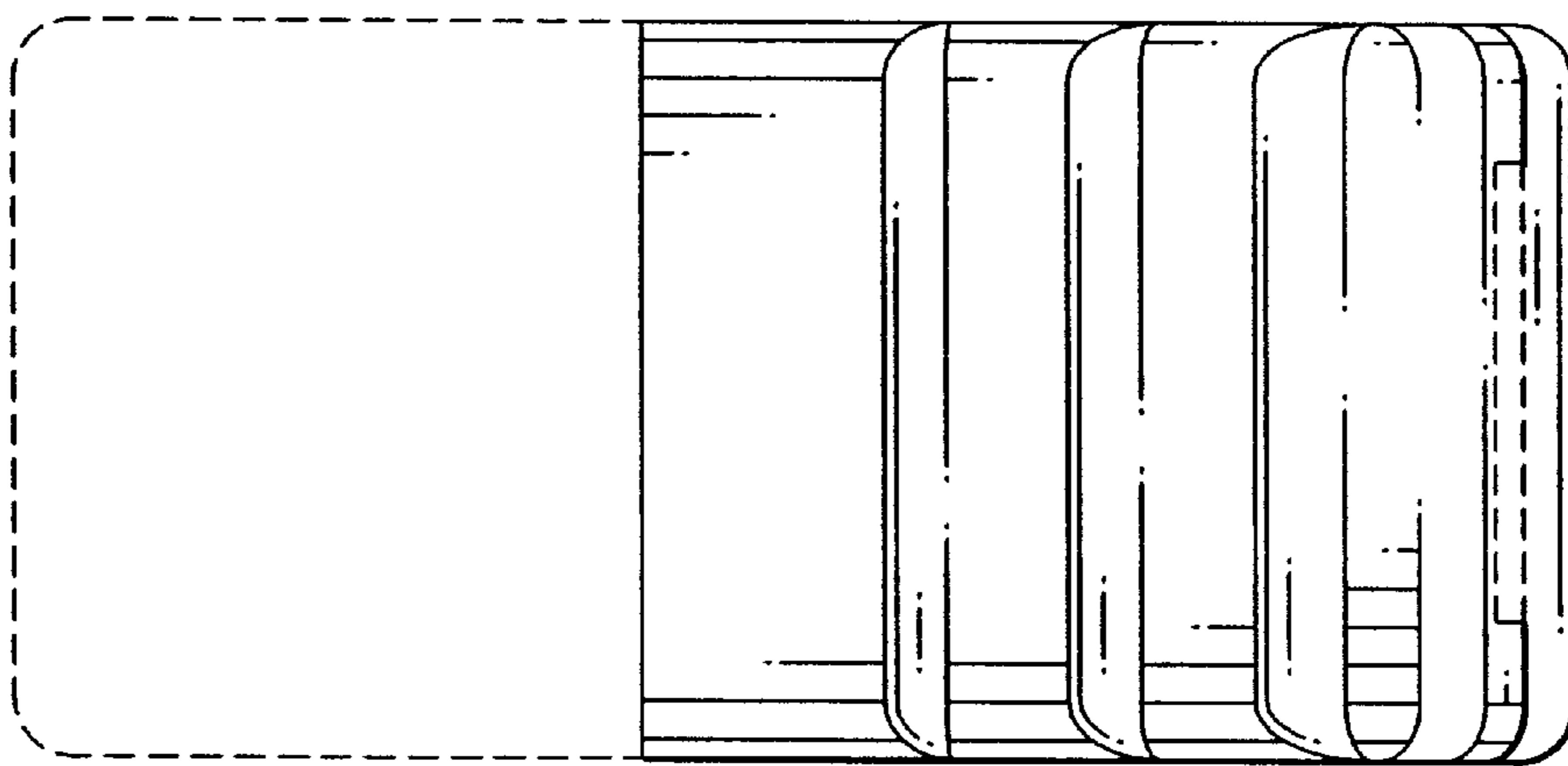


FIG. 12