



US00D490717S

(12) **United States Design Patent**  
**Cetera**

(10) **Patent No.:** **US D490,717 S**

(45) **Date of Patent:** **\*\* Jun. 1, 2004**

(54) **STETHOSCOPE CLOCK**

(75) **Inventor:** **Carl Cetera, Tenafly, NJ (US)**

(73) **Assignee:** **Cotapaxi, Inc., Englewood, NJ (US)**

(\*\*) **Term:** **14 Years**

(21) **Appl. No.:** **29/189,376**

(22) **Filed:** **Sep. 2, 2003**

(51) **LOC (7) Cl.** ..... **10-02**

(52) **U.S. Cl.** ..... **D10/31; D10/40; D10/2**

(58) **Field of Search** ..... **D10/1-40, 122-132;**  
**181/131-132, 137; 368/280-282, 10, 276-277,**  
**28-30, 285, 295, 239-242, 243-249, 82-84,**  
**41-44; 381/67; 600/528**

(56) **References Cited**

**U.S. PATENT DOCUMENTS**

D207,522 S	*	4/1967	King	.....	D24/134
D207,616 S	*	5/1967	King	.....	D24/134
4,170,717 A	*	10/1979	Walshe	.....	600/528
4,802,550 A	*	2/1989	Poore	.....	181/131
5,252,787 A	*	10/1993	Moore et al.	.....	181/131
D346,973 S	*	5/1994	Moore et al.	.....	D10/31
5,561,275 A	*	10/1996	Savage et al.	.....	181/131
D379,935 S	*	6/1997	Jornacion	.....	D10/31
D387,160 S	*	12/1997	Moore et al.	.....	D24/134

5,737,429 A	*	4/1998	Lee	.....	381/67
D445,184 S	*	7/2001	Meyer	.....	D24/134
D449,007 S	*	10/2001	McPadden	.....	D10/31

\* cited by examiner

*Primary Examiner*—Nelson C. Holtje

(74) *Attorney, Agent, or Firm*—Michael E. Hoffman; The Soni Law Firm

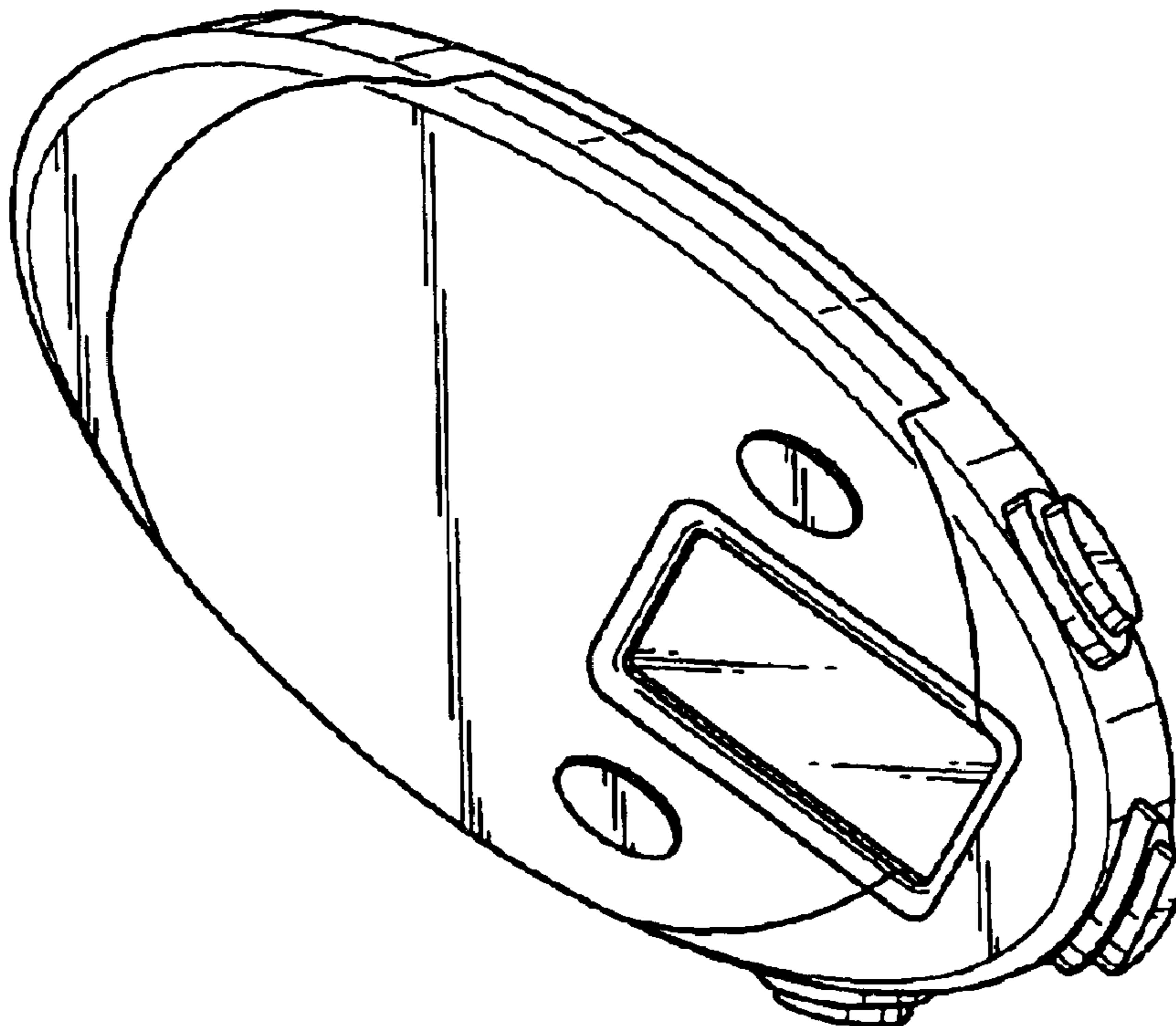
(57) **CLAIM**

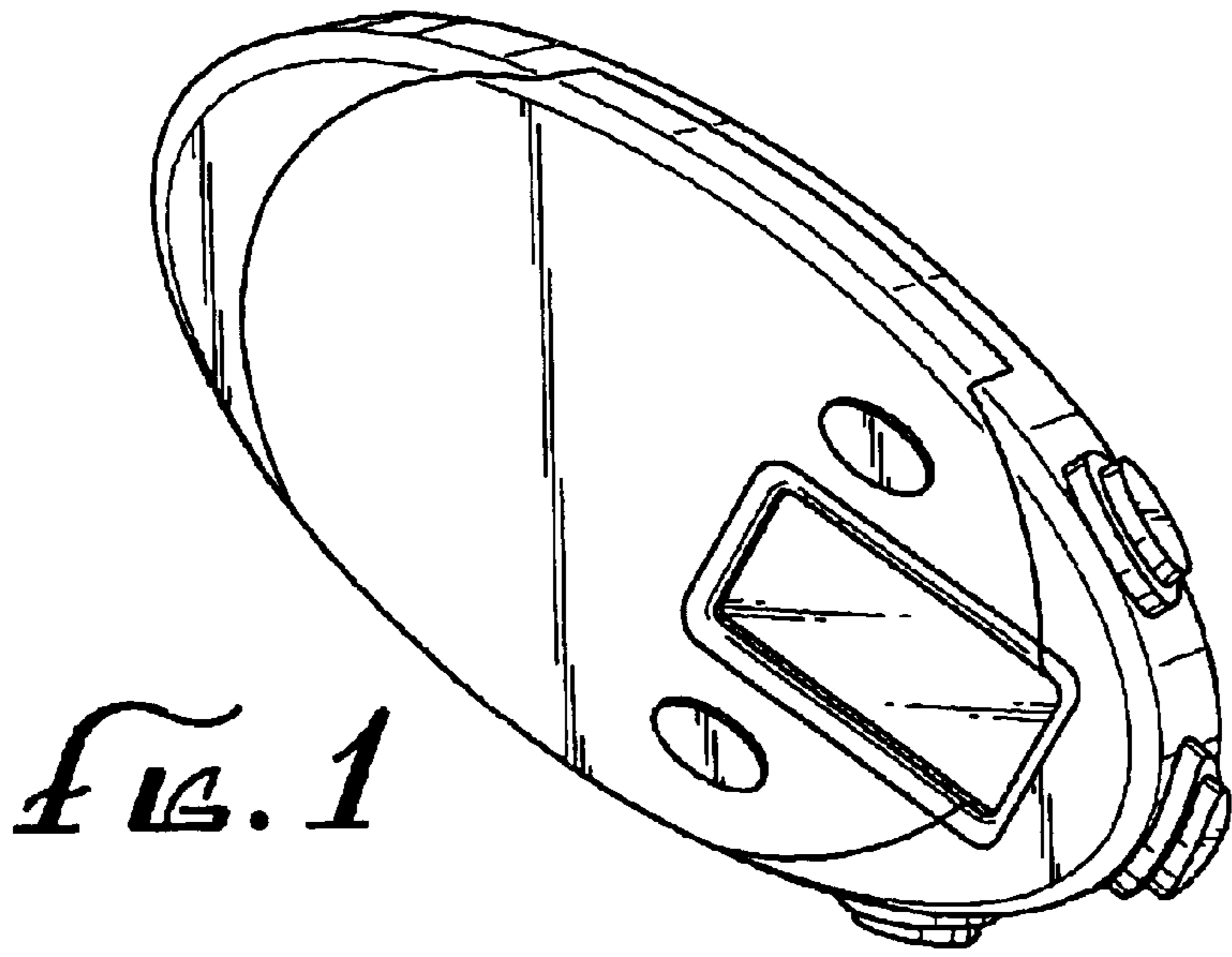
The ornamental design for a stethoscope clock, as shown and described.

**DESCRIPTION**

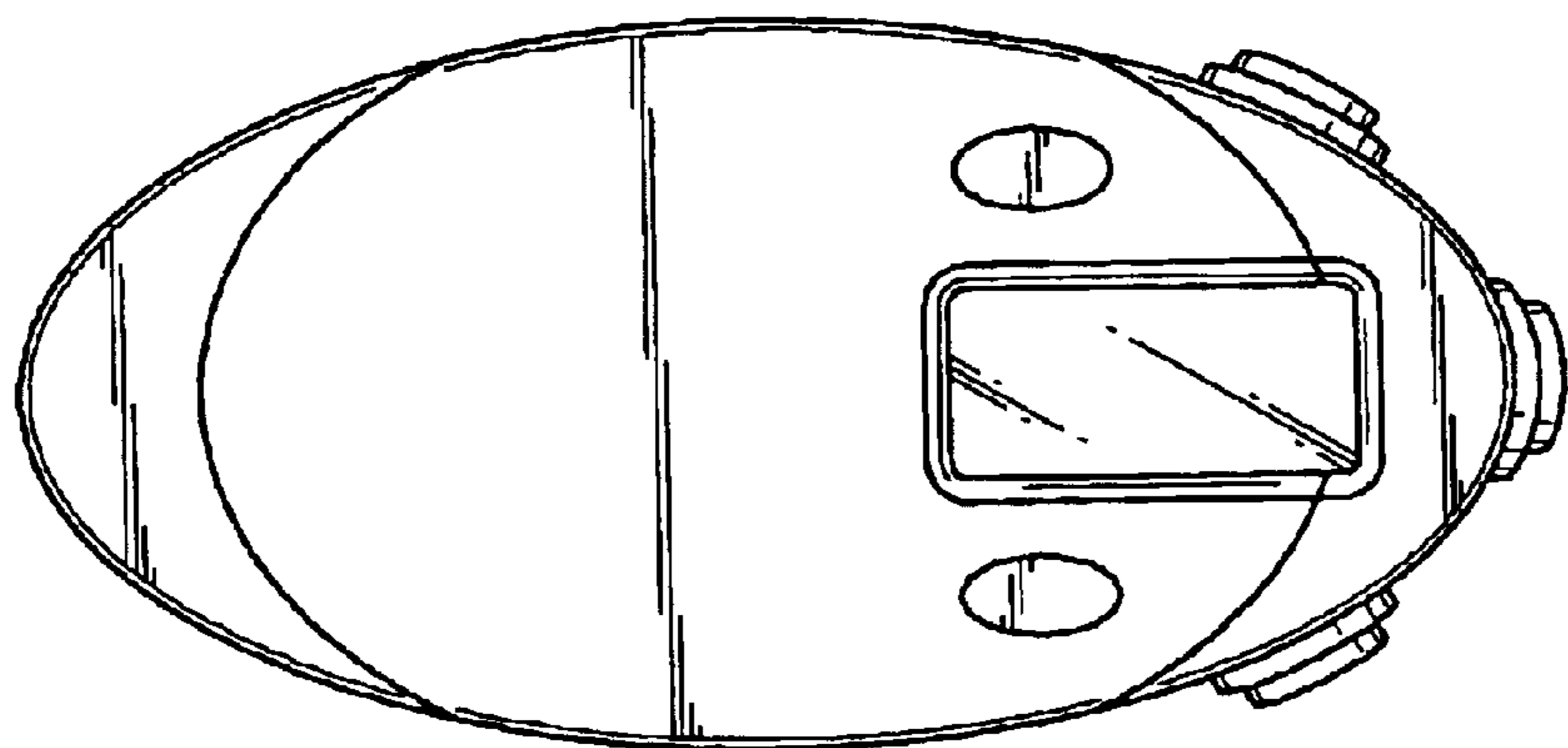
FIG. 1 is a perspective view of a stethoscope clock;  
 FIG. 2 is a front side elevational view of the stethoscope clock of FIG. 1;  
 FIG. 3 is a top plan view of the stethoscope clock of FIG. 1;  
 FIG. 4 is a left side elevational view of the stethoscope clock of FIG. 1;  
 FIG. 5 is a right side elevational view of the stethoscope clock of FIG. 1; and,  
 FIG. 6 is a rear side view of the stethoscope clock of FIG. 1.  
 The bottom plan view is a mirror image of the top plan view shown in FIG. 3.

**1 Claim, 2 Drawing Sheets**

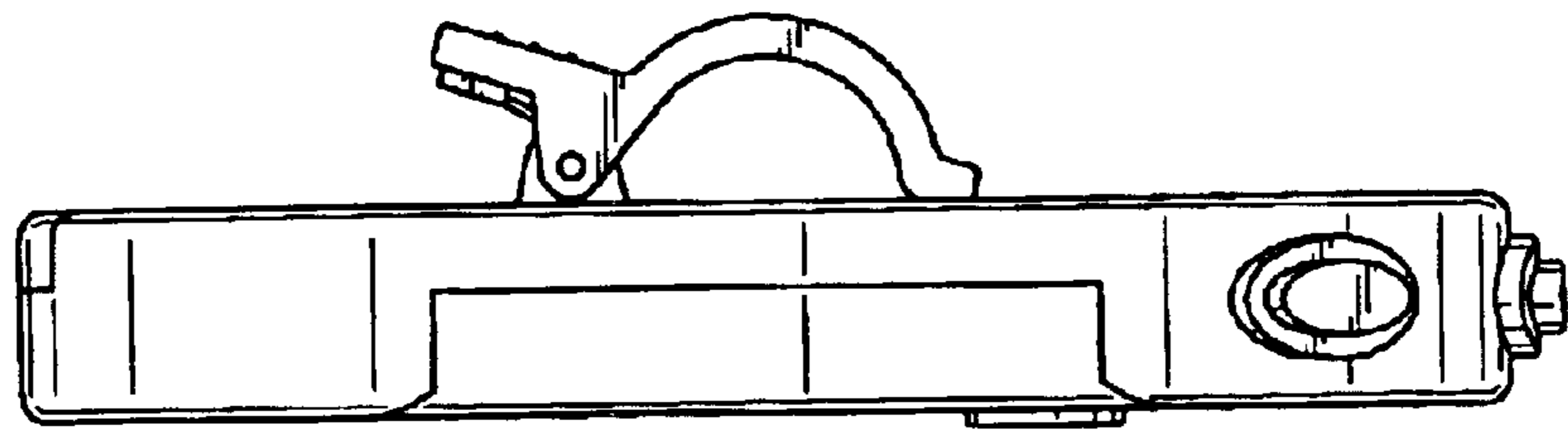




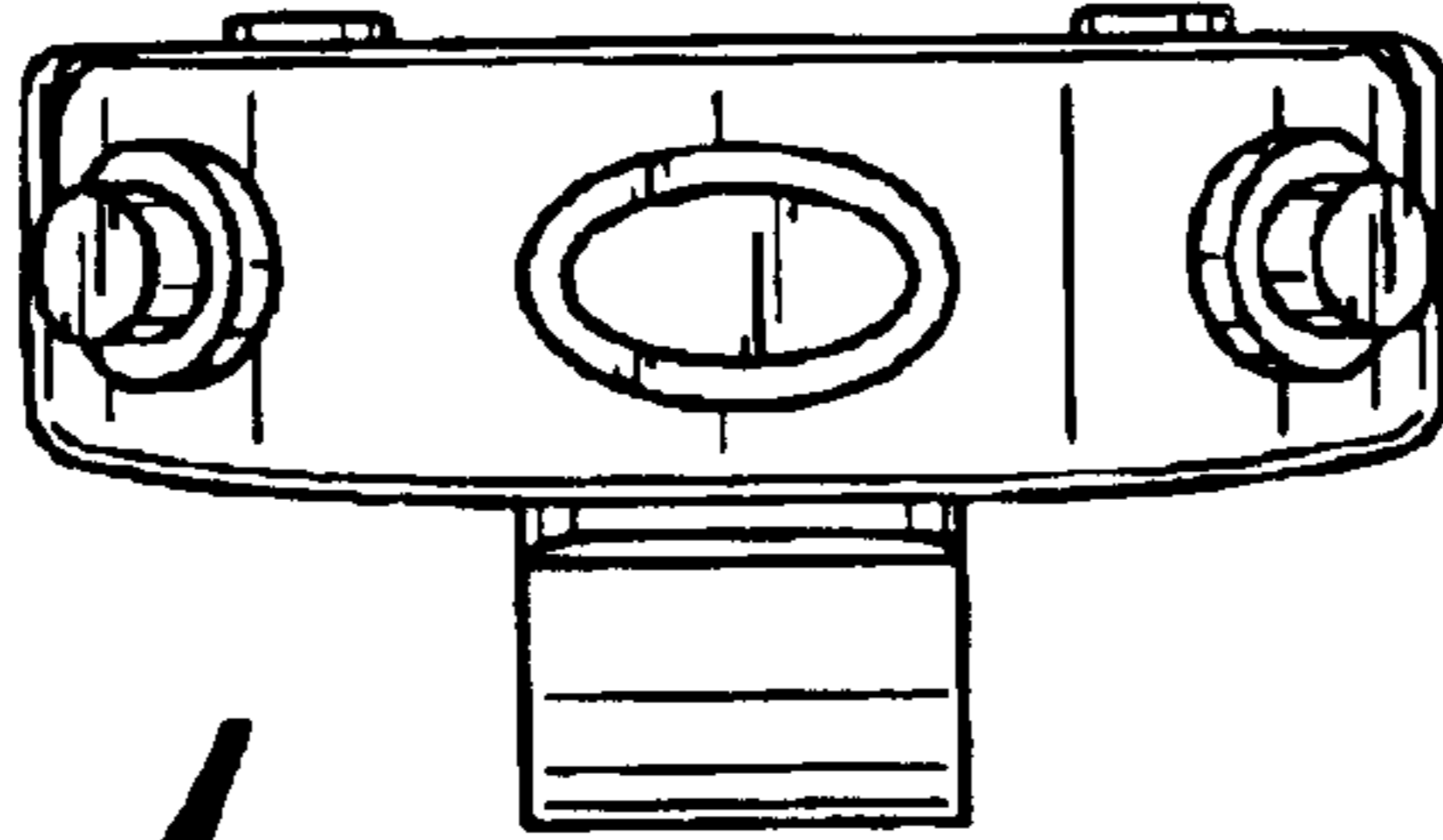
*FIG. 1*



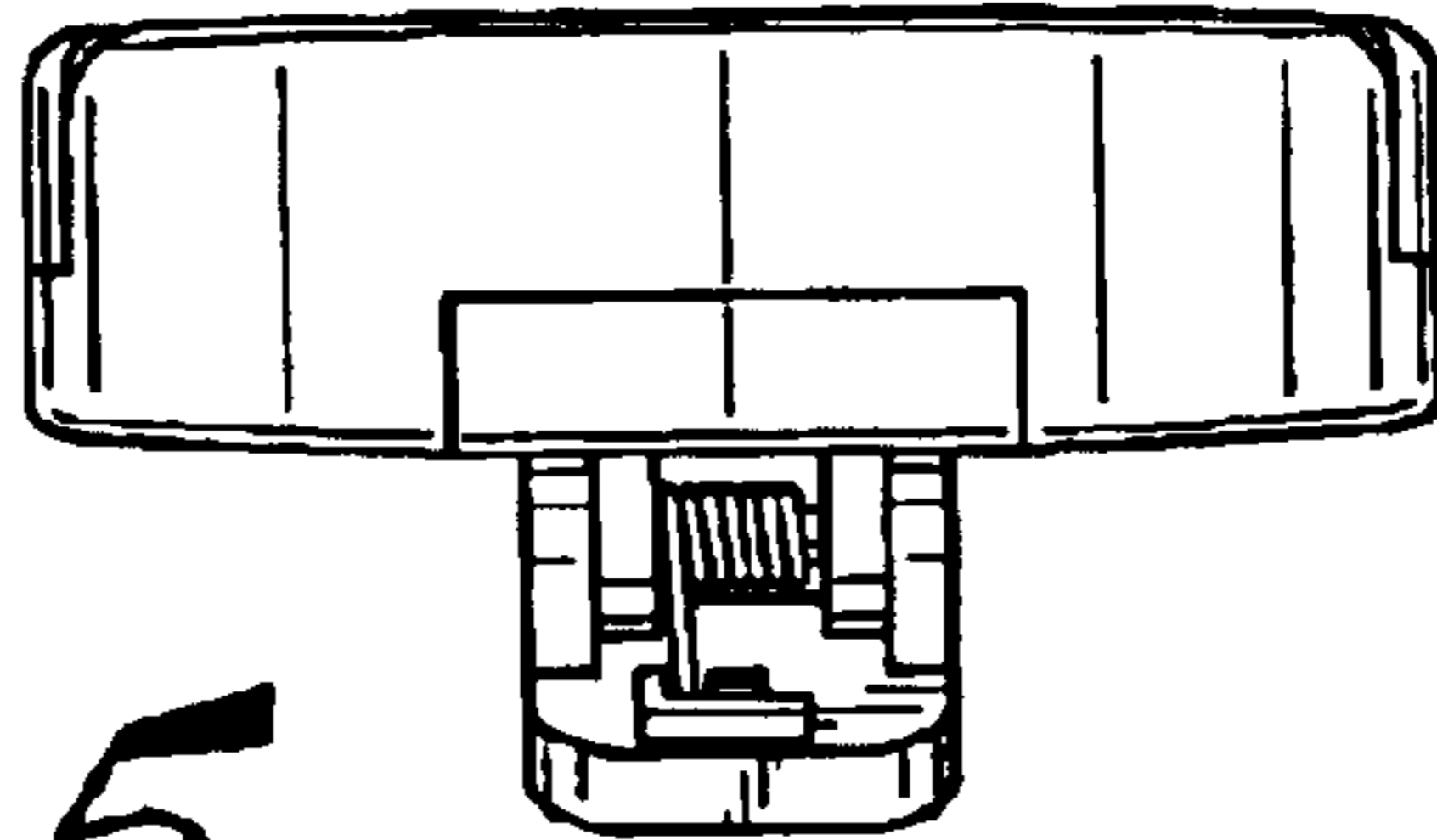
*FIG. 2*



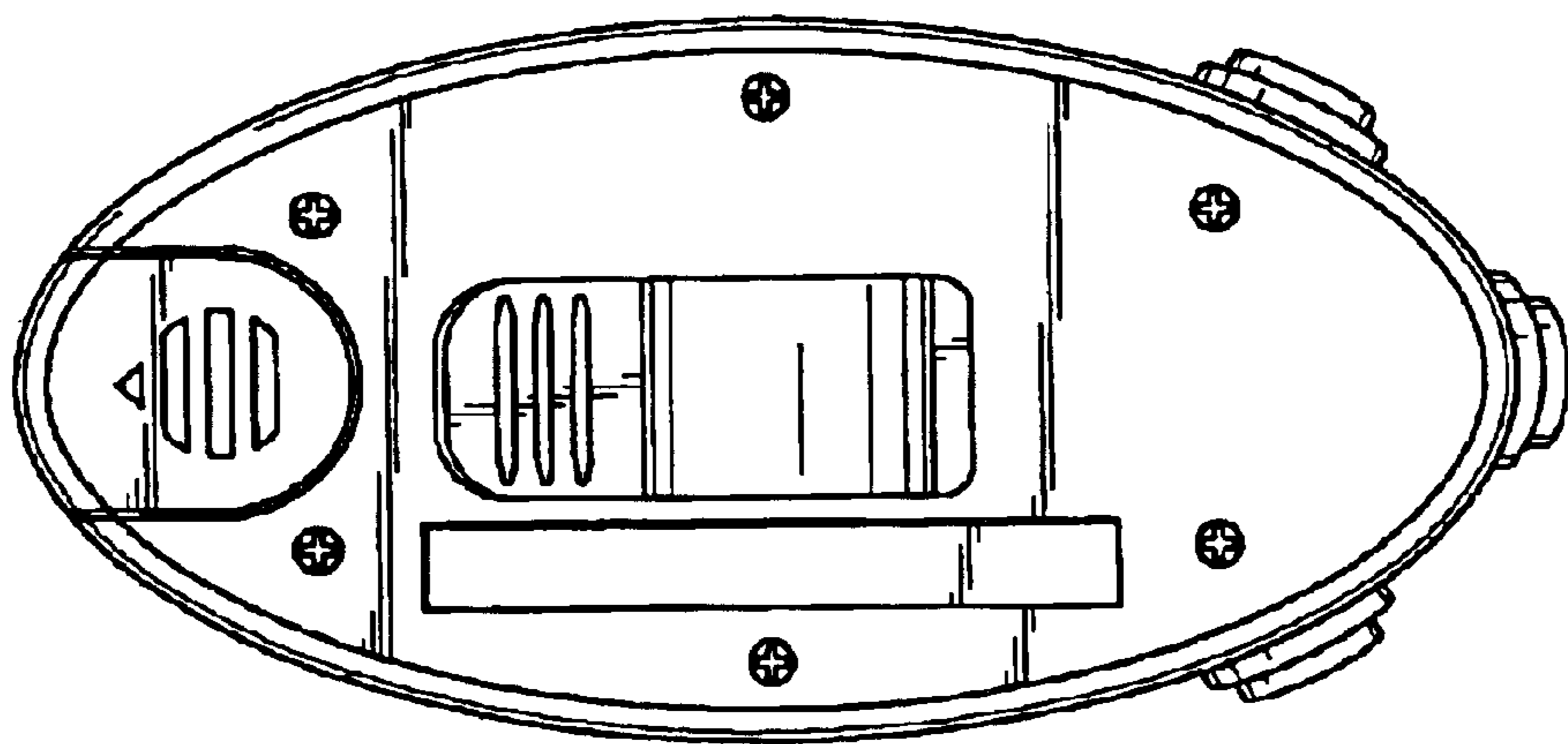
*FIG. 3*



*FIG. 4*



*FIG. 5*



*FIG. 6*