



US00D490716S

(12) **United States Design Patent**  
**Peraldi**

(10) **Patent No.:** **US D490,716 S**

(45) **Date of Patent:** **\*\* Jun. 1, 2004**

(54) **WATCH CASE**

(75) Inventor: **Alexandre Peraldi**, Annemasse (FR)

(73) Assignee: **Richemont International S.A.**,  
Villars-sur-Glane (CH)

(\*\*) Term: **14 Years**

(21) Appl. No.: **29/183,801**

(22) Filed: **Jun. 18, 2003**

(30) **Foreign Application Priority Data**

Dec. 19, 2002 (WO) ..... DMA/063 508

(51) **LOC (7) Cl.** ..... **10-02**

(52) **U.S. Cl.** ..... **D10/30; D10/38**

(58) **Field of Search** ..... D10/1-40, 122-132;  
368/280-282, 276-277, 285, 294-295

(56) **References Cited**

**U.S. PATENT DOCUMENTS**

- D77,296 S \* 12/1928 Conant ..... D10/38
- D151,301 S \* 10/1948 Tuffo ..... D10/38
- D251,056 S \* 2/1979 Perrin ..... D10/39
- D252,855 S \* 9/1979 Perrin ..... D10/39

- D268,737 S \* 4/1983 Perrin ..... D10/39
- D381,588 S \* 7/1997 Weston ..... D10/32
- D420,293 S \* 2/2000 Parmigiani ..... D10/30
- D434,679 S \* 12/2000 Dumas ..... D10/39
- D465,163 S \* 11/2002 Bodino ..... D10/32
- D474,700 S \* 5/2003 Court ..... D10/39
- D475,638 S \* 6/2003 Modolo ..... D10/39

\* cited by examiner

*Primary Examiner*—Nelson C. Holtje

(74) *Attorney, Agent, or Firm*—Young & Thompson

(57) **CLAIM**

The ornamental design for a watch case, as shown and described.

**DESCRIPTION**

- FIG. 1 is a perspective view of the watch case.
- FIG. 2 is a bottom view of the watch case.
- FIG. 3 is a top view of the watch case.
- FIG. 4 is a side view from the top of FIG. 3.
- FIG. 5 is a side view from the bottom of FIG. 3.
- FIG. 6 is a side view from the right of FIG. 3; and,
- FIG. 7 is a side view from the left of FIG. 3.

**1 Claim, 1 Drawing Sheet**

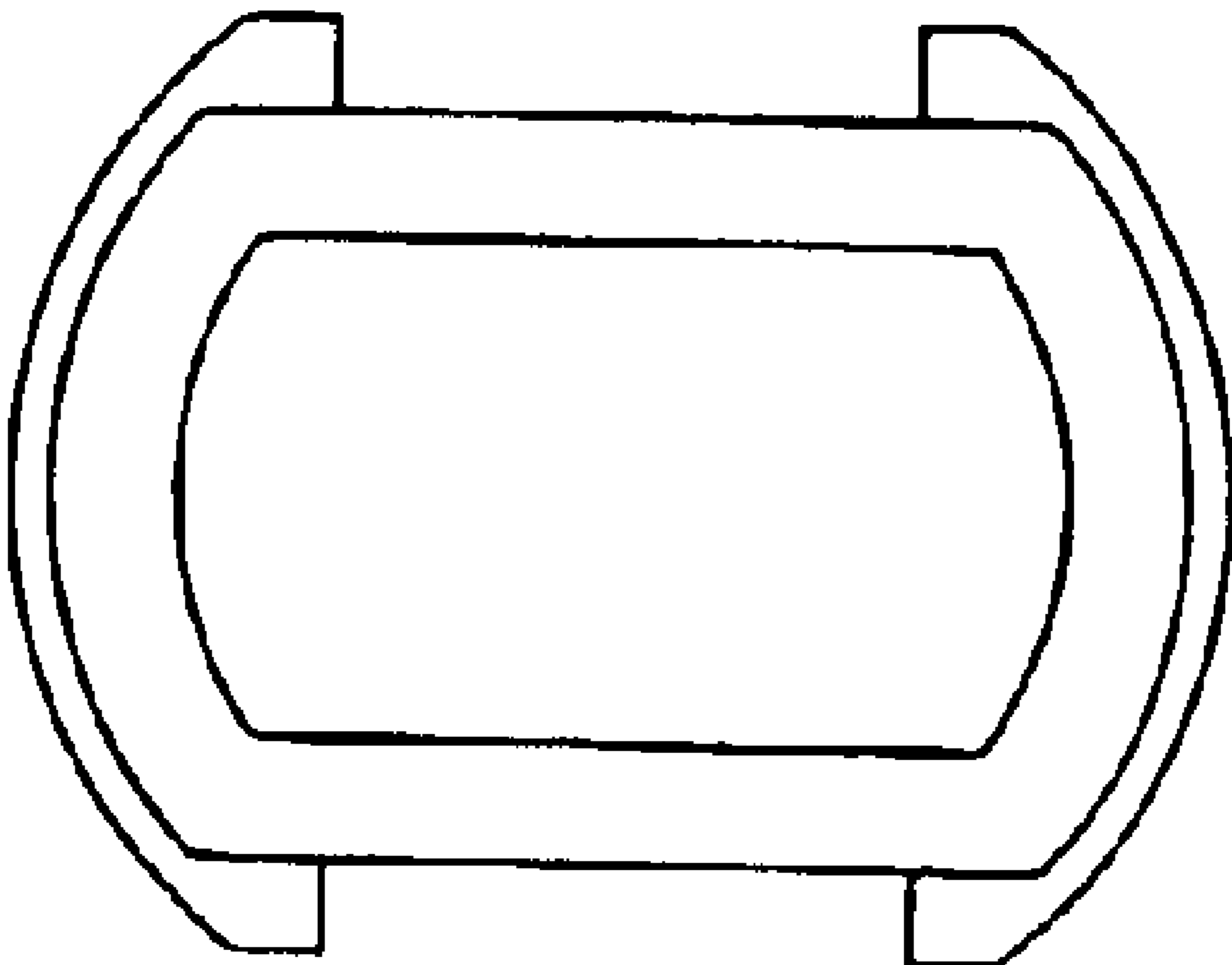


fig. 1

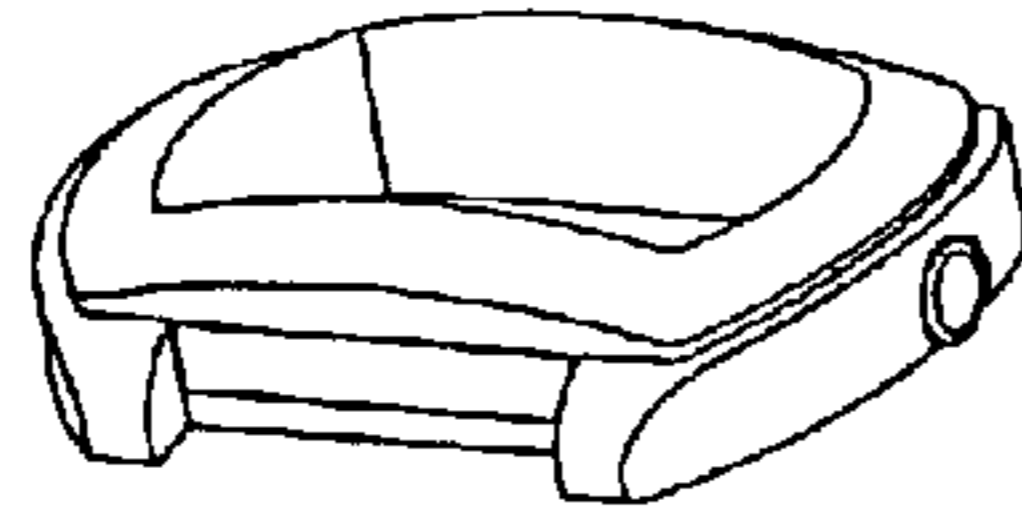


fig. 2

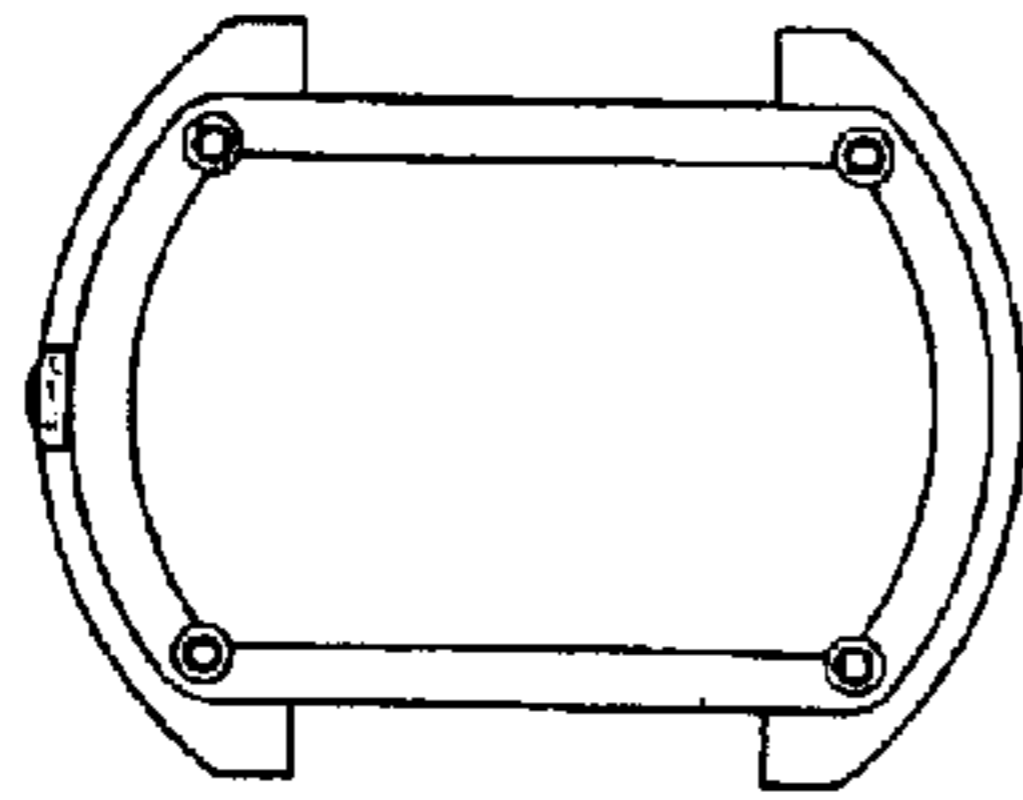


fig. 3

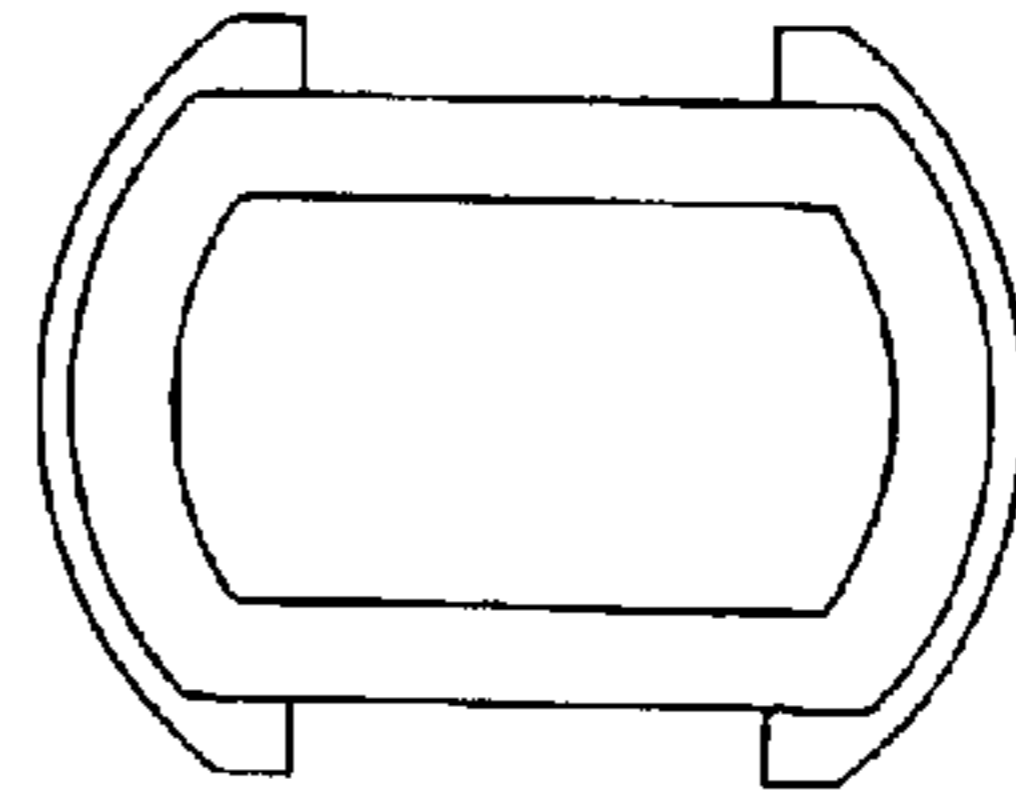


fig. 4

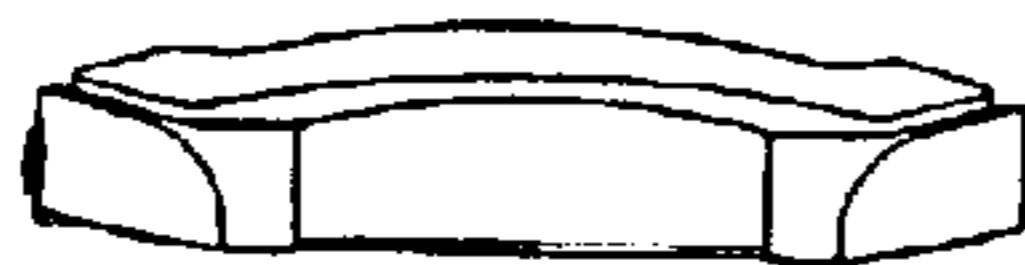


fig. 5



fig. 6

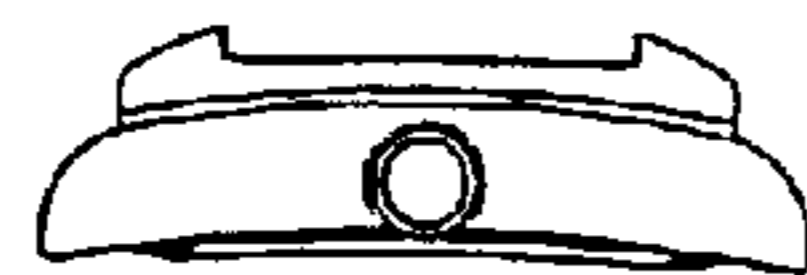


fig. 7

