



US00D490713S

(12) **United States Design Patent**
Ferguson

(10) **Patent No.:** **US D490,713 S**

(45) **Date of Patent:** **** Jun. 1, 2004**

(54) **CONTAINER BODY PORTION**

(75) **Inventor:** **Gary M. Ferguson**, Tallmadge, OH
(US)

(73) **Assignee:** **Plastipak Packaging, Inc.**, Plymouth,
MI (US)

(**) **Term:** **14 Years**

(21) **Appl. No.:** **29/166,746**

(22) **Filed:** **Sep. 3, 2002**

(51) **LOC (7) Cl.** **09-01**

(52) **U.S. Cl.** **D9/526; D9/563; D9/575**

(58) **Field of Search** D9/516, 523, 525,
D9/526, 530, 543, 550, 563, 572-575, 527,
417; 215/380-384, 396, 398, 400

(56) **References Cited**

U.S. PATENT DOCUMENTS

D101,590 S	*	10/1936	Patterson	D9/522
2,135,239 A	*	11/1938	Patterson	215/380
D165,984 S	*	2/1952	Konefes	D9/527 X
2,920,777 A	*	1/1960	Cole	215/380
D247,804 S	*	5/1978	Campbell et al.	D9/523
D289,376 S	*	4/1987	Nemits	D9/523
D301,306 S	*	5/1989	Beaver	D9/523
D302,522 S	*	8/1989	Charboneau et al.	D9/523
4,877,142 A	*	10/1989	Doering	215/382
D309,100 S	*	7/1990	Beaver	D9/523

5,178,817 A		1/1993	Yamada et al.	
D382,431 S	*	8/1997	Parra D6/546
D454,063 S	*	3/2002	Dammers D9/417
D454,308 S		3/2002	Scheida	
D475,928 S	*	6/2003	Ferguson et al. D9/526

* cited by examiner

Primary Examiner—Philip S. Hyder

Assistant Examiner—Carol Rademaker

(74) *Attorney, Agent, or Firm*—Rader, Fishman & Grauer
PLLC

(57) **CLAIM**

The ornamental design for a container body portion, as shown and described.

DESCRIPTION

FIG. 1 is a perspective view of the container body portion, FIG. 2 is a front elevation view of the container body portion, the rear elevation view being a mirror image of the front elevation view shown;

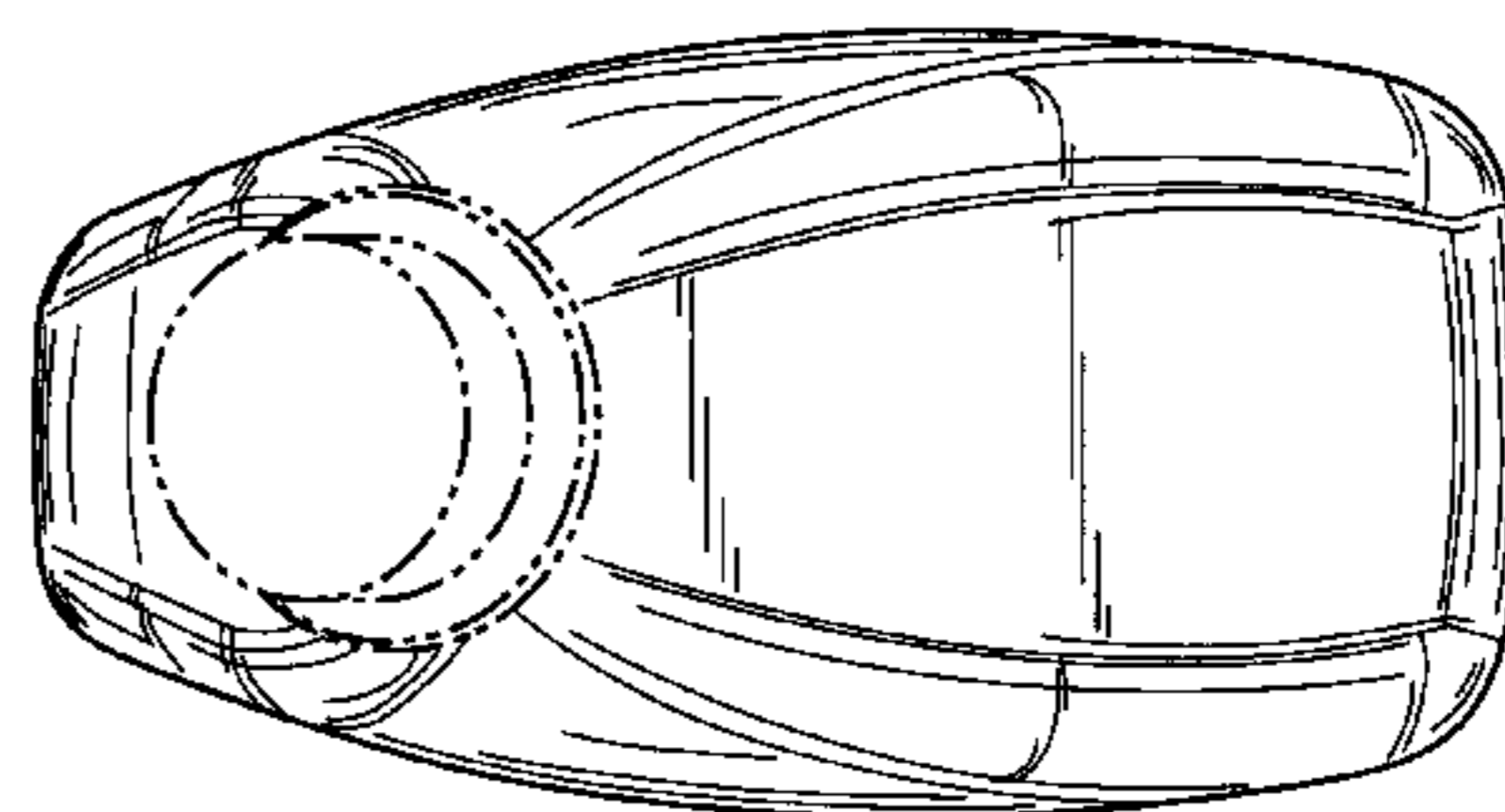
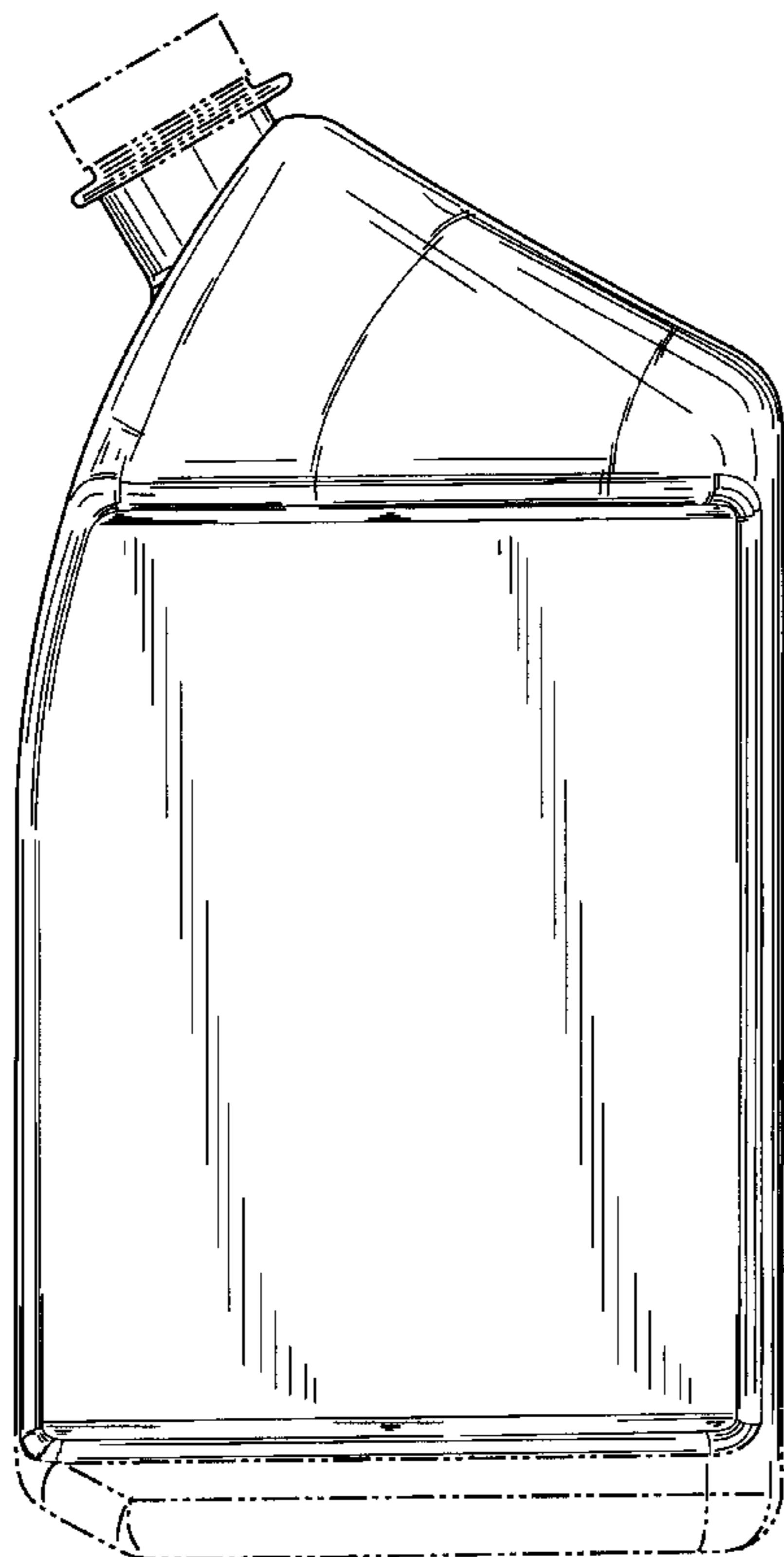
FIG. 3 is a left side elevation view of the container body portion;

FIG. 4 is a right side elevation view of the container body portion; and,

FIG. 5 is a top plan view of the container body portion.

The broken lines in the drawings are for illustrative purposes only and do not form a part of the claimed design.

1 Claim, 4 Drawing Sheets



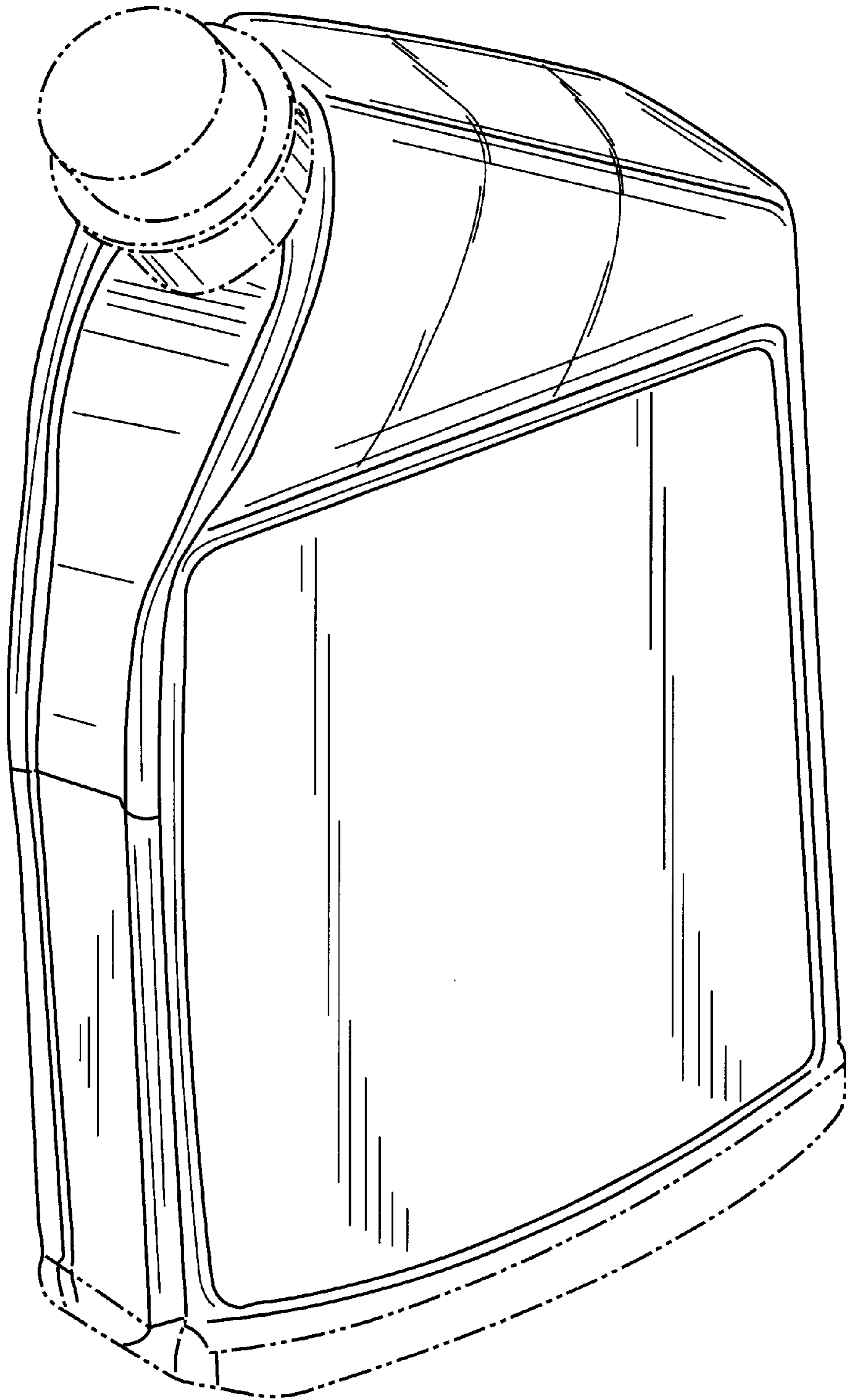


Fig. 1

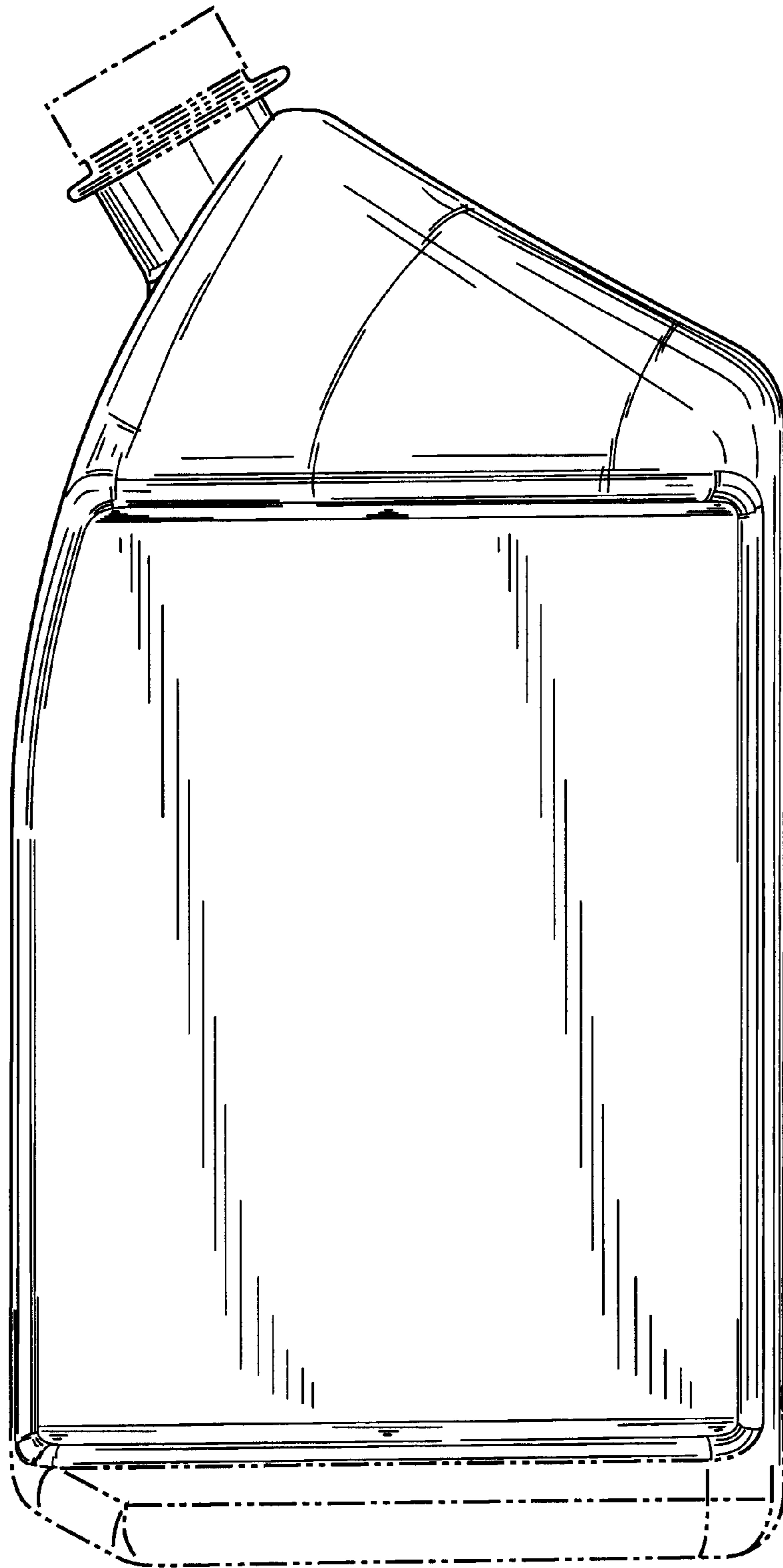


Fig. 2

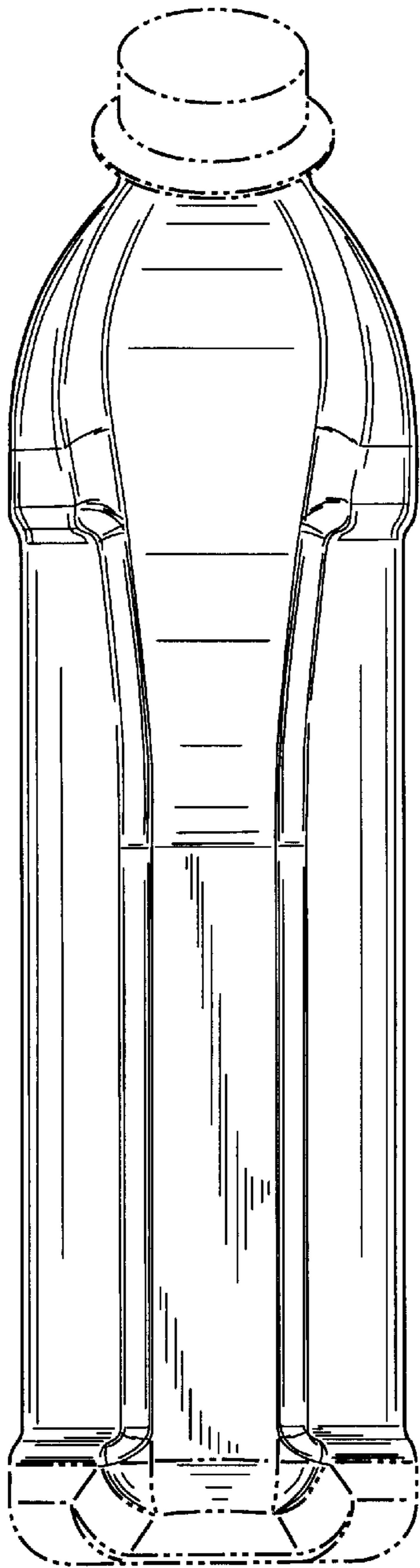


Fig. 3

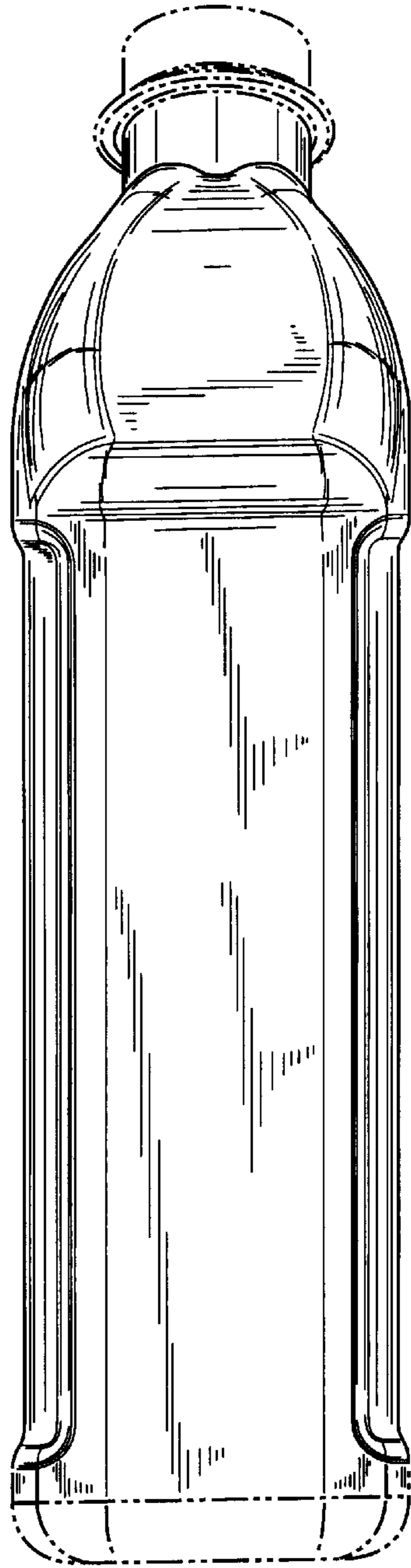


Fig. 4

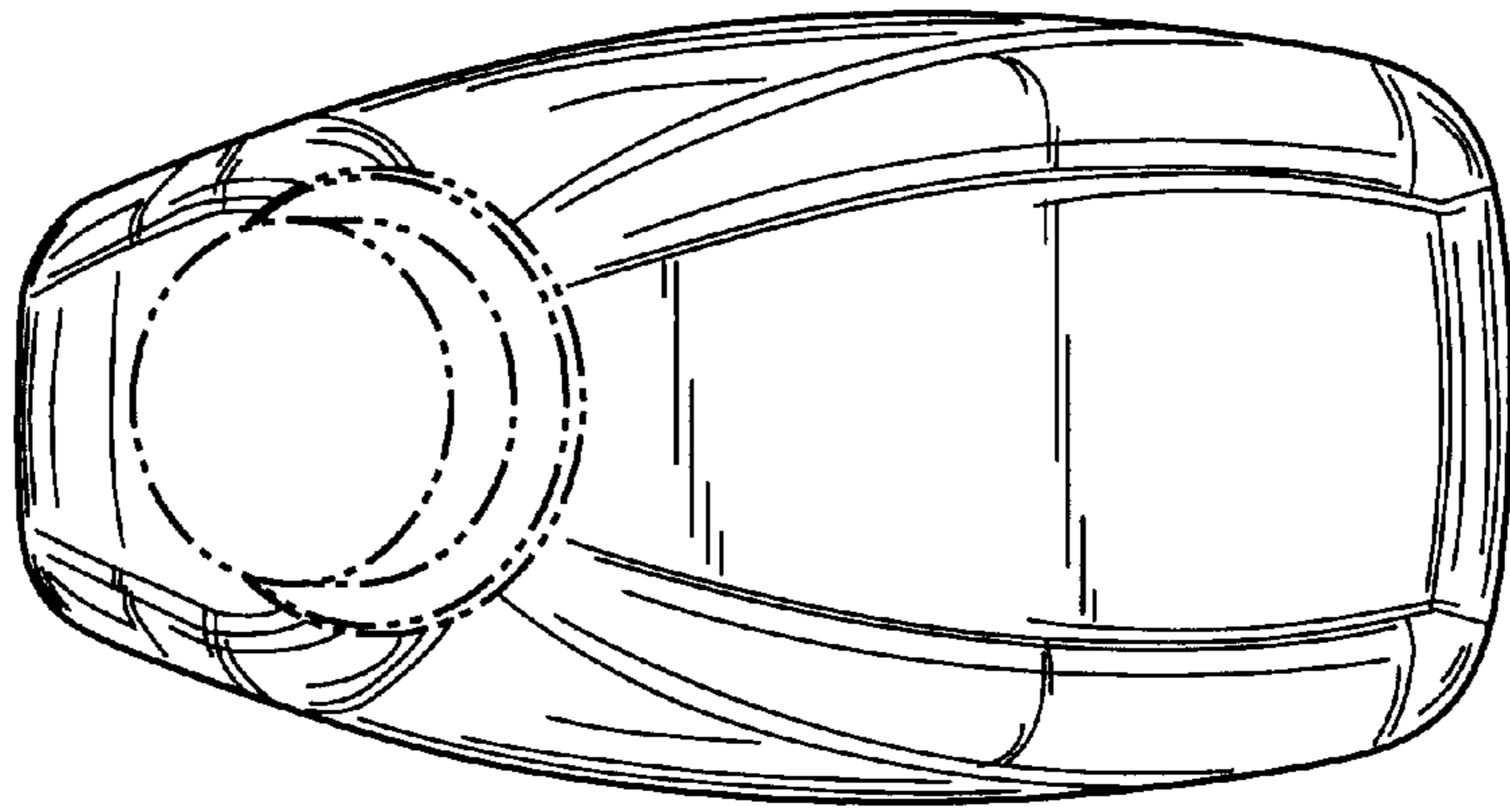


Fig. 5