



US00D490709S

(12) **United States Design Patent**
Bezek

(10) **Patent No.:** **US D490,709 S**
(45) **Date of Patent:** **** Jun. 1, 2004**

(54) **SNACK FOOD CONTAINER CAP**

D254,840 S 4/1980 Aldrich, III
RE30,805 E 11/1981 Rhoads

(75) Inventor: **Edward Anthony Bezek**, Frisco, TX
(US)

(List continued on next page.)

(73) Assignee: **Frito-Lay North America, Inc.**, Plano,
TX (US)

FOREIGN PATENT DOCUMENTS

(**) Term: **14 Years**

FR 2646071 4/1989
WO WO 92/04243 3/1992

(21) Appl. No.: **29/182,714**

(22) Filed: **May 30, 2003**

(51) **LOC (7) Cl.** **09-01**

(52) **U.S. Cl.** **D9/444; D9/445; D9/454**

(58) **Field of Search** D9/444, 445, 454,
D9/435, 336, 335, 300, 337, 451, 502,
503, 518; 215/200, 316; 270/200; 426/115;
222/148, 402.13

OTHER PUBLICATIONS

Advertisement by Land O'Lakes showing a personal size container for beverages, trademarked as the "Grip." It also has a resealable top. ©2000.

Primary Examiner—Louis S. Zarfes

Assistant Examiner—Gregory Andoll

(74) *Attorney, Agent, or Firm*—Colin P. Cahoon; Carstens, Yee & Cahoon, L.L.P.

(56) **References Cited**

(57) **CLAIM**

The ornamental design for a snack food container cap, as shown and described.

U.S. PATENT DOCUMENTS

DESCRIPTION

2,076,132 A	4/1937	Le Rose
2,121,041 A	6/1938	Morgan
2,297,285 A	9/1942	Bledsoe
2,346,417 A	4/1944	Cornwell et al.
2,533,349 A	12/1950	Burger
2,543,427 A	2/1951	Warne
2,619,245 A	11/1952	Levi
2,766,796 A	10/1956	Tupper
3,021,977 A	2/1962	Hester
3,760,968 A	9/1973	Amberg et al.
3,813,000 A	5/1974	Underwood
3,828,999 A	8/1974	Humphrey
3,915,296 A	10/1975	Spencer
3,952,911 A	4/1976	Bozek et al.
4,051,265 A	9/1977	Kirshenbaum et al.
4,054,220 A	10/1977	Rosenstein
D246,896 S	1/1978	Plummer
D247,471 S	3/1978	Strand
D247,472 S	3/1978	Byrne
4,077,538 A	3/1978	Waterbury
D247,847 S	5/1978	Kretz
4,163,517 A	8/1979	Kappler
4,190,168 A	2/1980	Jacques

FIG. 1 is a top perspective view of the snack food container cap of the present invention, shown in position mated to a container body which is illustrated in broken lines and not claimed herein;

FIG. 2 is a bottom perspective view of the snack food container cap of the present invention;

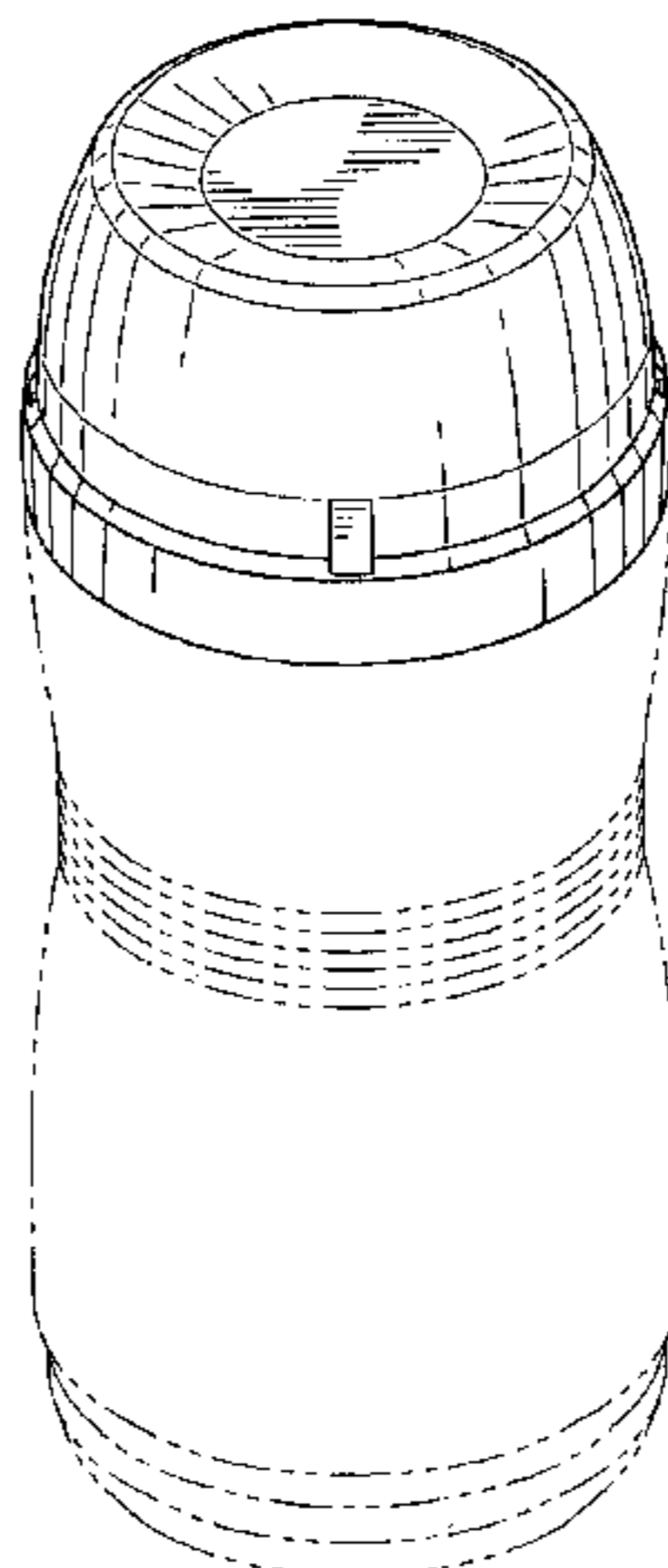
FIG. 3 is a front elevation view of the snack food container cap of the present invention, with the rear elevation view, left elevation view, and right elevation view all mirror images of the front elevation view;

FIG. 4 is a top plan view of the snack food container cap of the present invention; and,

FIG. 5 is a bottom plan view of the snack food container cap of the present invention.

The broken line showing of a container body in FIG. 1, and the broken line showing of vertical fins inside the cap in FIGS. 2 and 5, are for illustrative purposes only and form no part of the claimed design.

1 Claim, 1 Drawing Sheet



US D490,709 S

Page 2

U.S. PATENT DOCUMENTS

4,417,504 A	11/1983	Yamamoto	6,161,736 A	* 12/2000	Kaufman et al.	222/402.13
4,444,324 A	4/1984	Grenell	6,170,666 B1	1/2001	DesLauriers	
4,483,890 A	11/1984	Beery et al.	D452,437 S	* 12/2001	Bezek et al.	D9/502
4,819,819 A	4/1989	Robertson, Jr.	6,472,007 B2	* 10/2002	Bezek et al.	426/115
5,065,923 A	11/1991	Hoefler et al.	D471,101 S	3/2003	Bezek et al.	
D345,695 S	4/1994	Frazer et al.	D471,102 S	3/2003	Gehring et al.	
5,383,558 A	1/1995	Wilkinson et al.	D471,446 S	3/2003	Bezek et al.	
5,429,262 A	7/1995	Sharkey	D471,447 S	3/2003	Sagel	
5,482,170 A	1/1996	Semersky et al.	D471,448 S	3/2003	Gehring et al.	
5,499,763 A	3/1996	DeMars	D471,449 S	3/2003	Bezek et al.	
D371,304 S	7/1996	Onneweer	D471,450 S	3/2003	Gehring et al.	
5,613,620 A	3/1997	Center et al.	D471,800 S	3/2003	Gehring et al.	
5,788,076 A	8/1998	Simmons	D471,805 S	3/2003	Bezek et al.	
5,797,509 A	8/1998	Fitch	D471,806 S	3/2003	Gehring et al.	
5,938,062 A	8/1999	Paramski	D472,804 S	4/2003	Gehring et al.	
6,006,945 A	12/1999	Kirkland	D472,806 S	4/2003	Bezek et al.	
D418,758 S	1/2000	Yucknut	D477,218 S	7/2003	Gehring et al.	
6,116,469 A	* 9/2000	Wallays et al.	6,596,328 B1	7/2003	Bezek et al.	
6,152,302 A	11/2000	Miller et al.				

* cited by examiner

FIG. 1

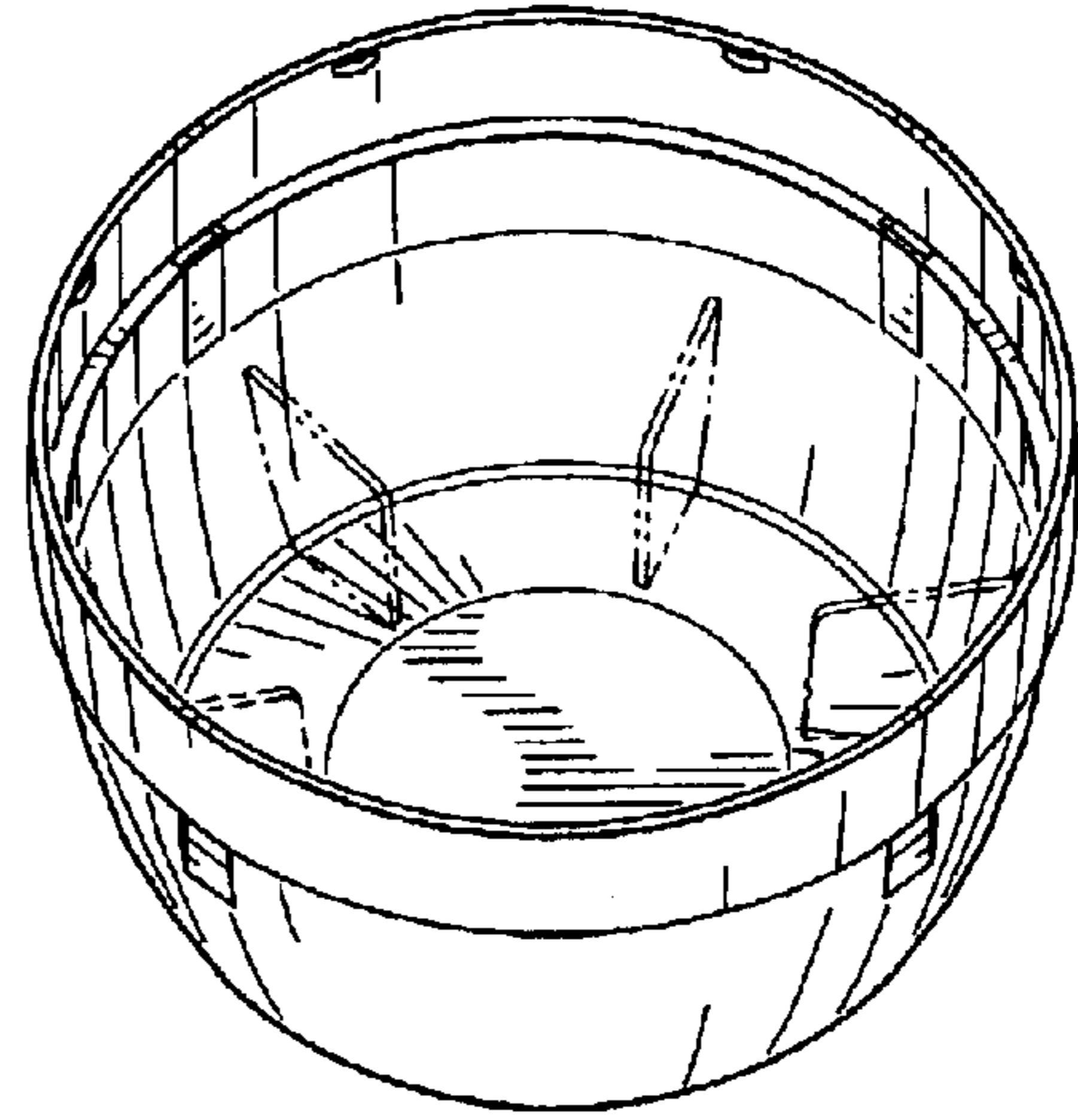
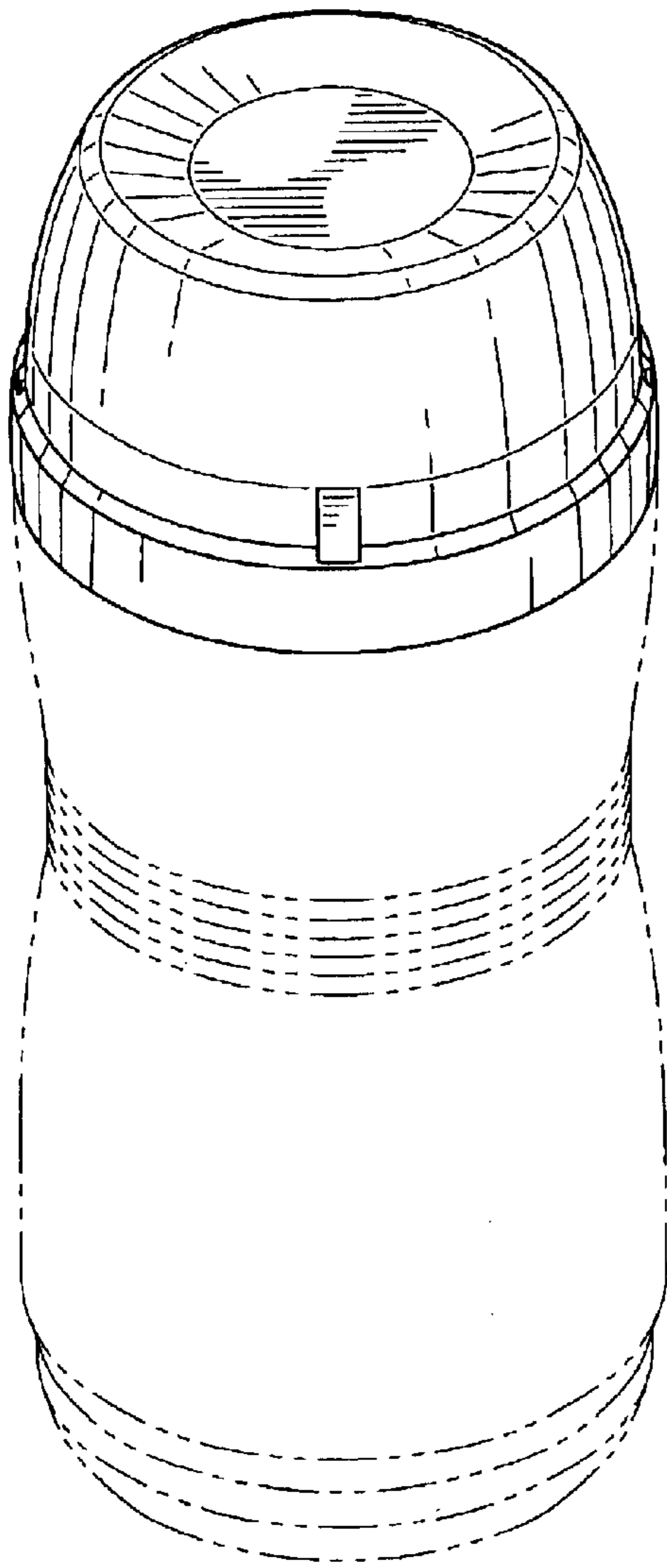


FIG. 2

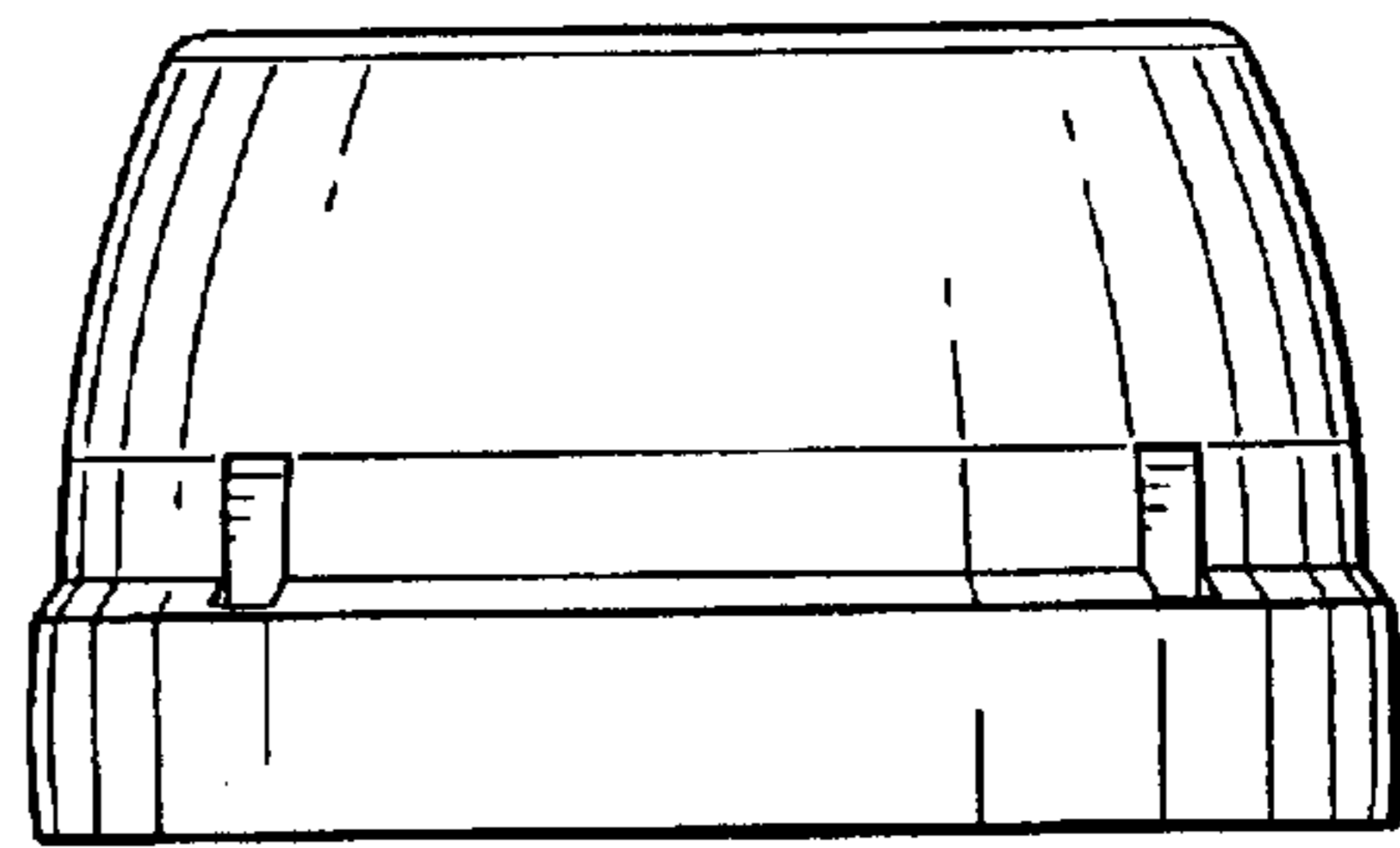


FIG. 3

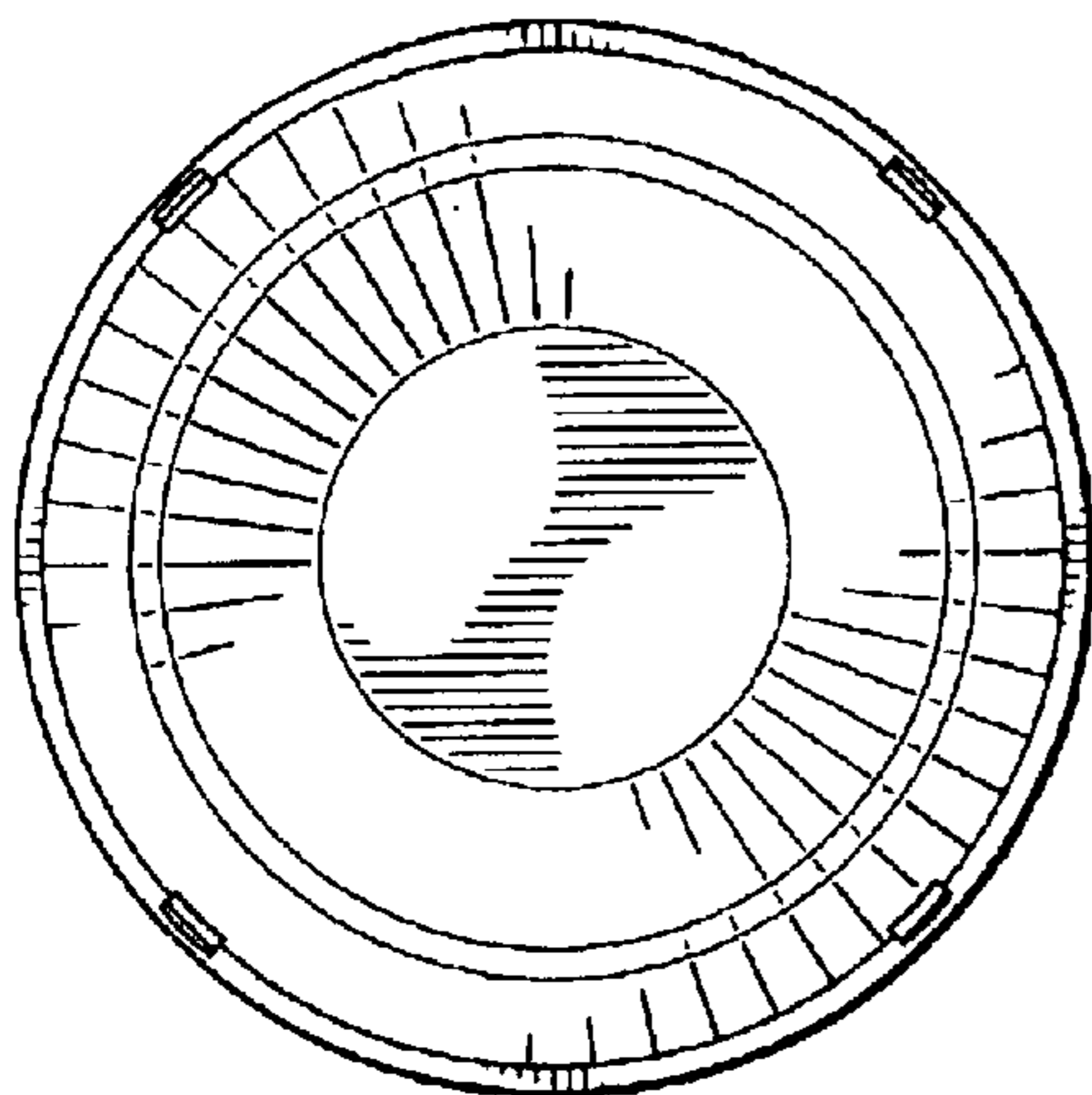


FIG. 4

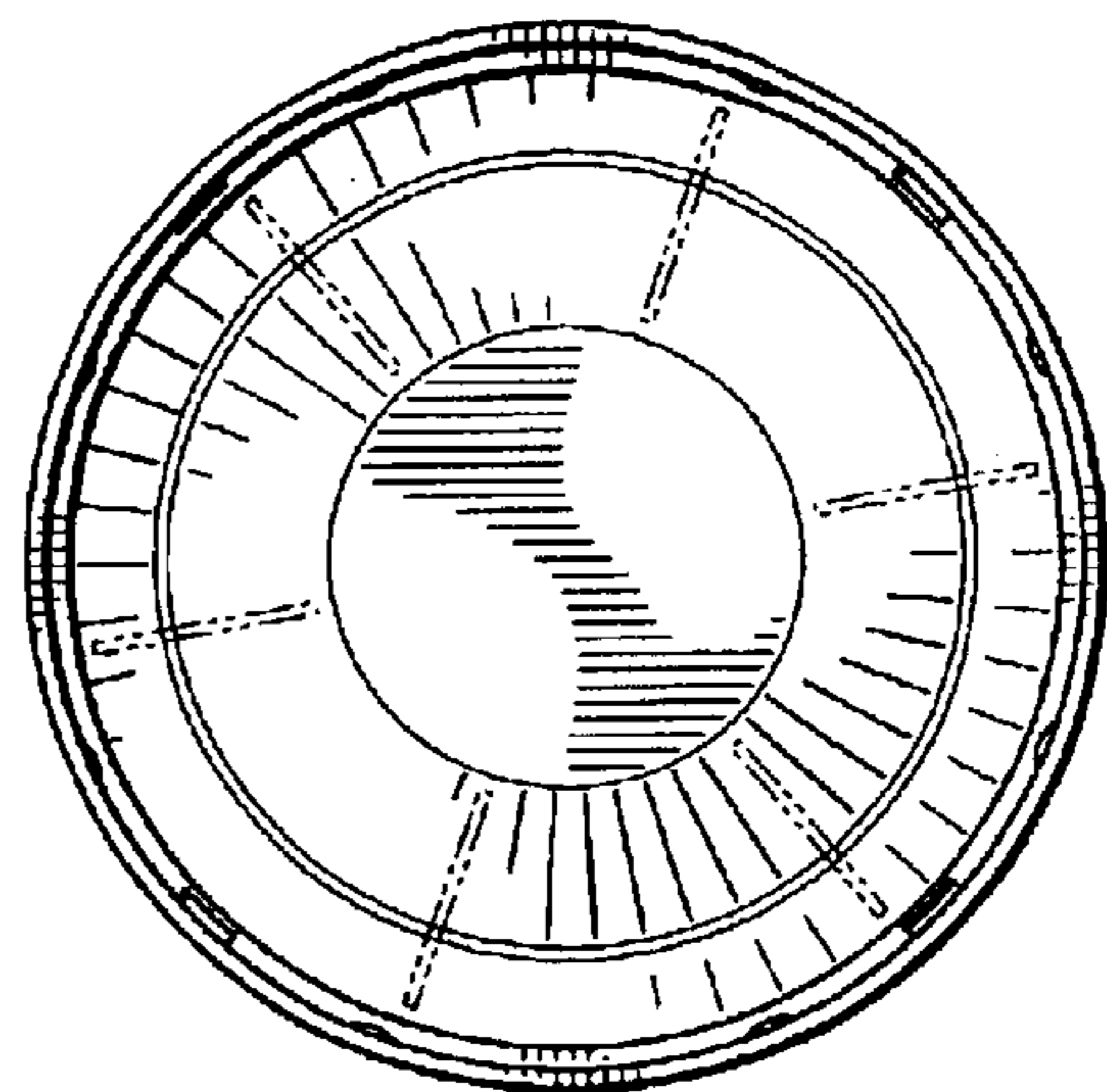


FIG. 5