



US00D490708S

(12) **United States Design Patent**  
**Lown**

(10) **Patent No.:** **US D490,708 S**

(45) **Date of Patent:** **\*\* Jun. 1, 2004**

(54) **CONTAINER CAP ASSEMBLY**  
(75) **Inventor:** **John M. Lown**, Huntington Beach, CA (US)  
(73) **Assignee:** **Snapware Corporation**, Fullerton, CA (US)  
(\*\*) **Term:** **14 Years**

5,031,784 A 7/1991 Wright  
D327,982 S 7/1992 Williams  
5,147,054 A 9/1992 Pehr  
D334,710 S 4/1993 Picozza  
5,273,176 A 12/1993 Diaz  
D366,418 S 1/1996 Lown et al.  
5,582,314 A 12/1996 Quinn et al.  
D426,772 S \* 6/2000 Kahl ..... D9/449  
D445,687 S \* 7/2001 Gilbertson ..... D9/454  
2002/0104843 A1 8/2002 Smith et al.

(21) **Appl. No.:** **29/189,231**  
(22) **Filed:** **Aug. 29, 2003**  
(51) **LOC (7) Cl.** ..... **09-07**  
(52) **U.S. Cl.** ..... **D9/438; D9/443; D9/449**  
(58) **Field of Search** ..... D9/438, 443, 449, D9/454; 220/256, 259, 324, 326, 319-321, 343, 269, 281, 260; 215/216, 221, 224-225, 237, 244, 245, 305, 295, 316, 317, 320

\* cited by examiner

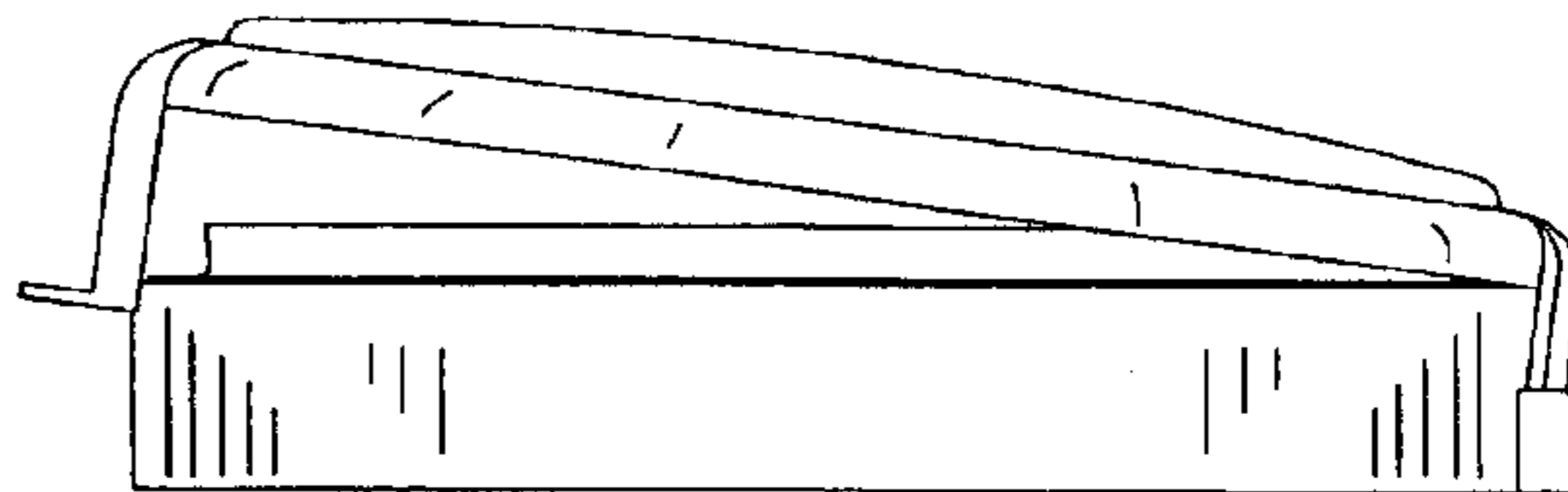
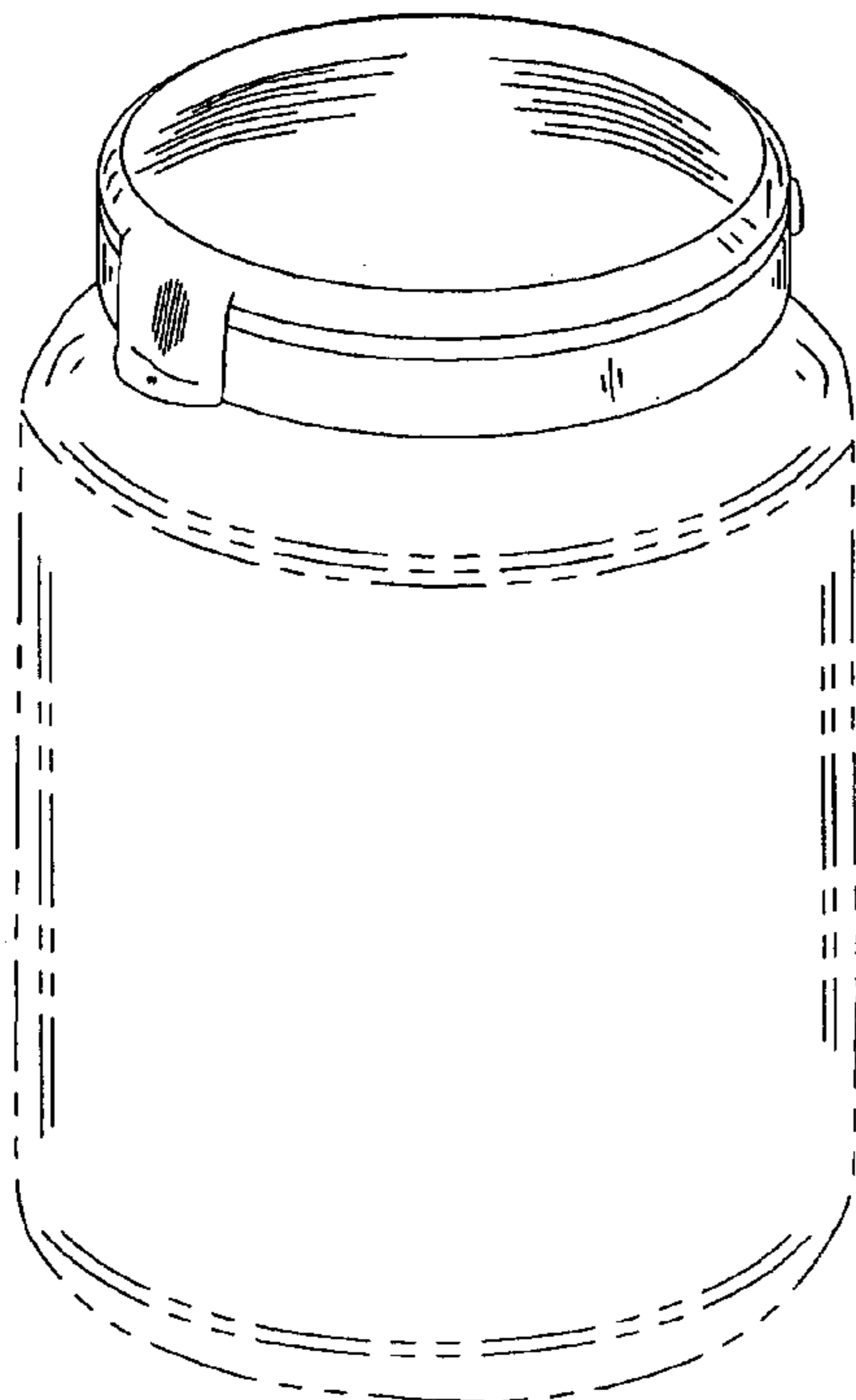
*Primary Examiner*—Louis S. Zarfaz  
*Assistant Examiner*—G. Andoll  
(74) *Attorney, Agent, or Firm*—Harold L. Jackson

(56) **References Cited**  
**U.S. PATENT DOCUMENTS**  
1,471,195 A 10/1923 Northern  
2,509,355 A 5/1950 Kampa  
3,441,163 A 4/1969 Barge et al.  
3,465,906 A 9/1969 Wagner et al.  
3,592,351 A 7/1971 Johnson, Jr. et al.  
D270,140 S \* 8/1983 Berglund ..... D9/438  
D271,284 S 11/1983 Bainton  
D272,323 S 1/1984 Bainton  
4,564,116 A 1/1986 Prohaska  
4,577,769 A 3/1986 Delia  
4,595,123 A 6/1986 Libit  
4,809,874 A 3/1989 Pehr  
D305,987 S \* 2/1990 Magnusson ..... D9/438  
D318,427 S 7/1991 Sherburne, Jr.

(57) **CLAIM**  
The ornamental design for a container cap assembly, as shown and described.

**DESCRIPTION**  
FIG. 1 is a perspective view of the container cap assembly mounted on a container shown in dashed lines;  
FIG. 2 is a top plan view of the container cap assembly;  
FIG. 3 is a bottom view of the container cap assembly;  
FIG. 4 is a side elevational view of the container cap assembly;  
FIG. 5 is a front view of the container cap assembly;  
FIG. 6 is a rear view of the container cap assembly; and,  
FIG. 7 is a side view of the container cap assembly with the lid partially open.  
The broken lines in the Figures are for illustrative purposes only and form no part of the claimed design.

**1 Claim, 3 Drawing Sheets**



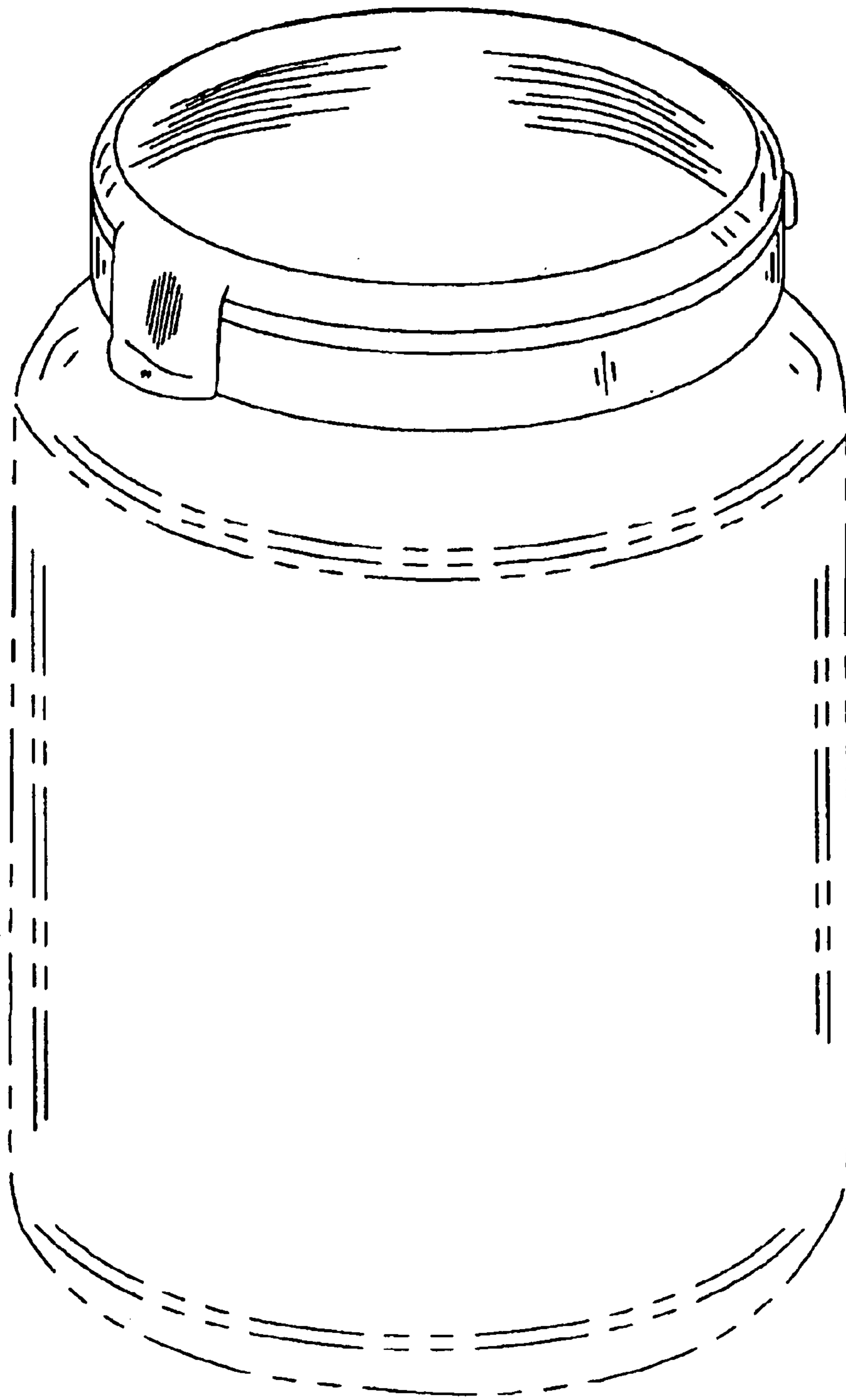


Figure 1

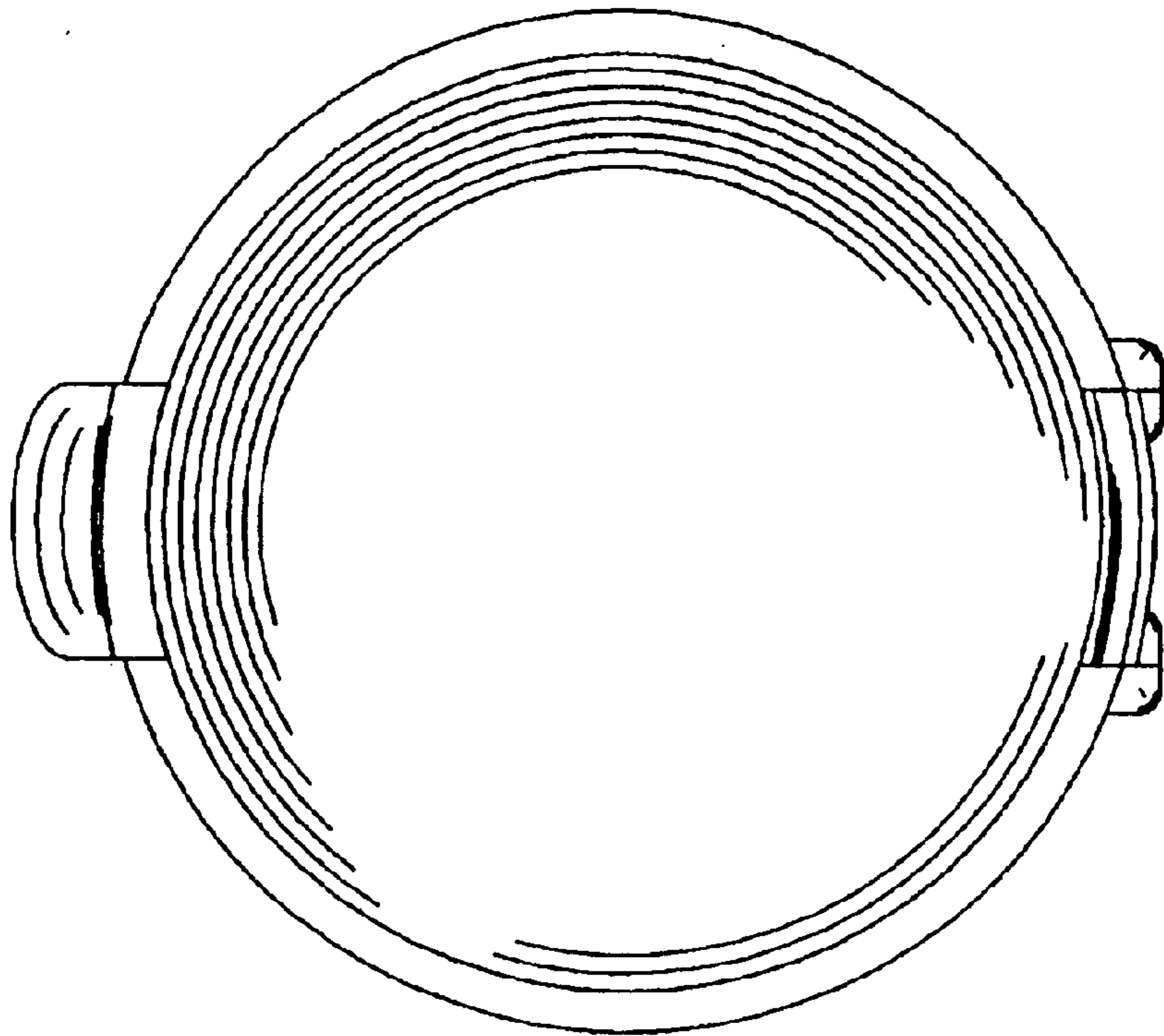


Figure 2

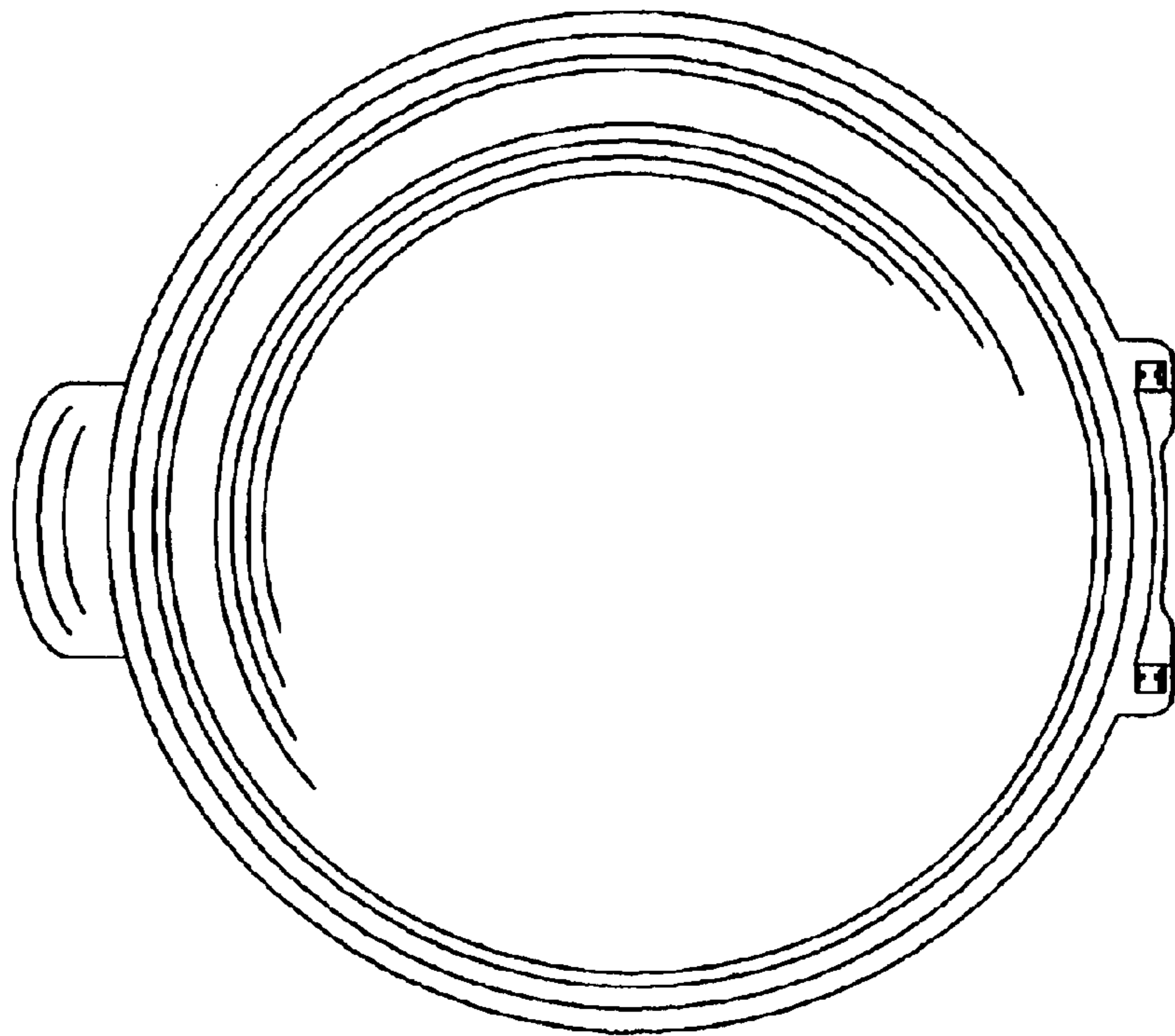


Figure 3

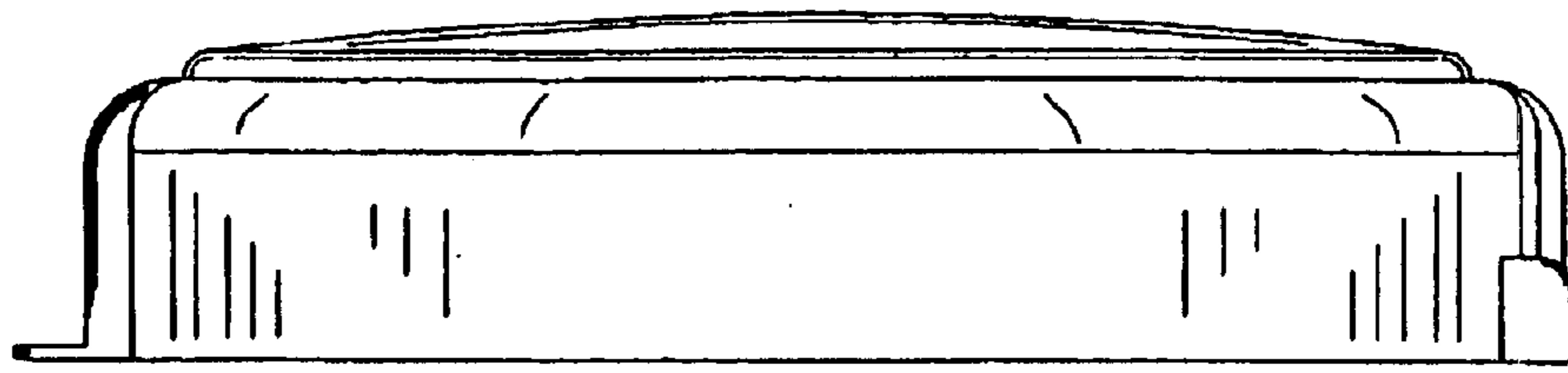


Figure 4

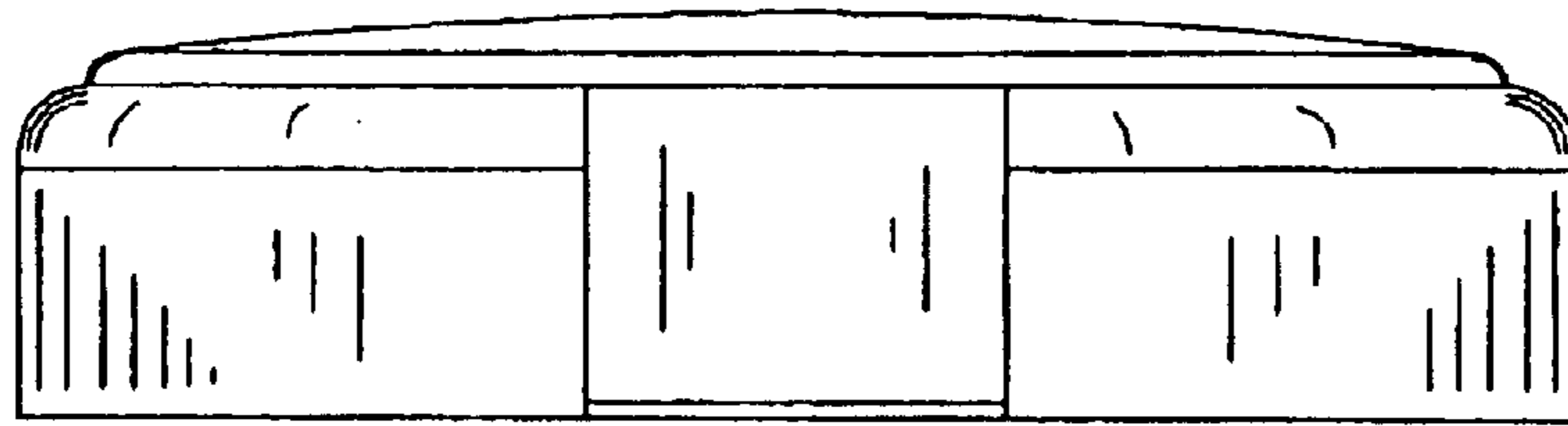


Figure 5

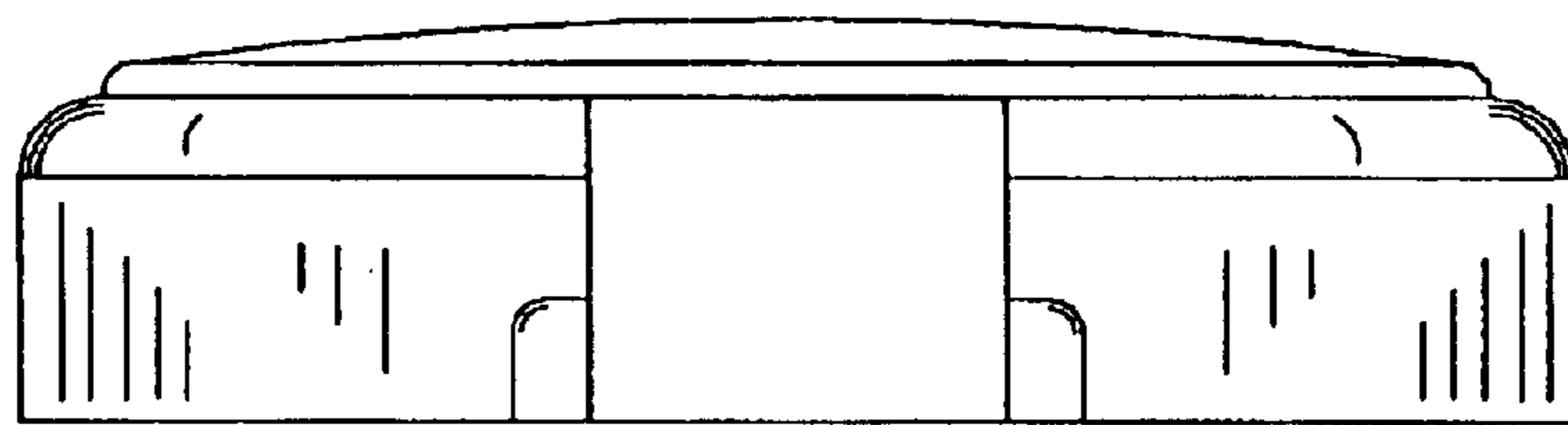


Figure 6

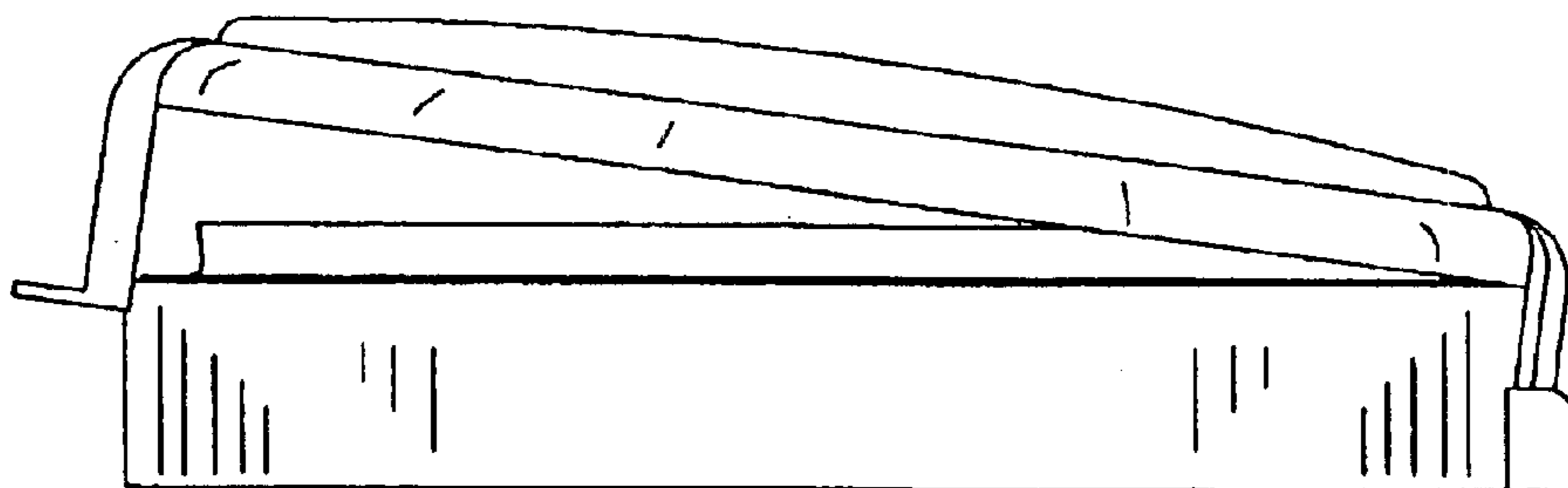


Figure 7