



US00D490704S

(12) **United States Design Patent**
Atkinson et al.

(10) **Patent No.: US D490,704 S**

(45) **Date of Patent: ** Jun. 1, 2004**

(54) **COMPACT GARMENT PACKAGING**

(75) Inventors: **Leon Atkinson**, Asheboro, NC (US);
Robert Jansen, Dallas, TX (US); **R. Patrick Johnson**, Farmington, UT (US); **Ryan E. Park**, Herriman, UT (US)

(73) Assignee: **Daphne Elmaleh Zohar**, Boston, MA (US)

(**) Term: **14 Years**

(21) Appl. No.: **29/131,156**

(22) Filed: **Oct. 16, 2000**

(51) **LOC (7) Cl. 09-03**

(52) **U.S. Cl. D9/432**

(58) **Field of Search** D9/432, 414, 415, D9/416, 434, 435, 499, 501, 517; 206/216, 223, 233, 38, 278, 49, 527; 220/200, 212, 260, 281, 780, 796, 890

(56) **References Cited**

U.S. PATENT DOCUMENTS

2,561,112 A	7/1951	Hahn	
2,993,441 A *	7/1961	Griffith et al.	102/20
3,193,137 A	7/1965	McCarthy et al.	
3,209,511 A	10/1965	Fournier	
3,252,567 A	5/1966	Baron et al.	
3,704,565 A	12/1972	Glaze, Jr.	
3,902,300 A	9/1975	Glaze, Jr.	

4,355,756 A	*	10/1982	Furuya et al.	229/4.5
4,881,358 A		11/1989	Berg	
4,922,685 A		5/1990	Hodges	
4,972,650 A		11/1990	Egea et al.	
5,042,227 A		8/1991	Merry	
D336,017 S	*	6/1993	Smith et al.	D7/629
D336,018 S	*	6/1993	Smith et al.	D7/629
D336,244 S	*	6/1993	Arai	D9/432
5,692,606 A		12/1997	Elmaleh	
6,116,422 A	*	9/2000	Rabe et al.	206/459.5

* cited by examiner

Primary Examiner—James Gandy

Assistant Examiner—Daniel Bui

(74) *Attorney, Agent, or Firm*—Diederiks & Whitelaw, PLC

(57) **CLAIM**

The ornamental design for compact garment packaging, as shown and described.

DESCRIPTION

FIG. 1 is a top, front, left side perspective view of the compact garment packaging of the invention; FIG. 2 is a top plan view thereof; FIG. 3 is a right side view thereof; FIG. 4 is a rear view thereof; FIG. 5 is a bottom plan view thereof; and, FIG. 6 is an exploded view thereof. The broken line showing of environment is for illustrative purposes only and forms no part of the claimed design.

1 Claim, 3 Drawing Sheets

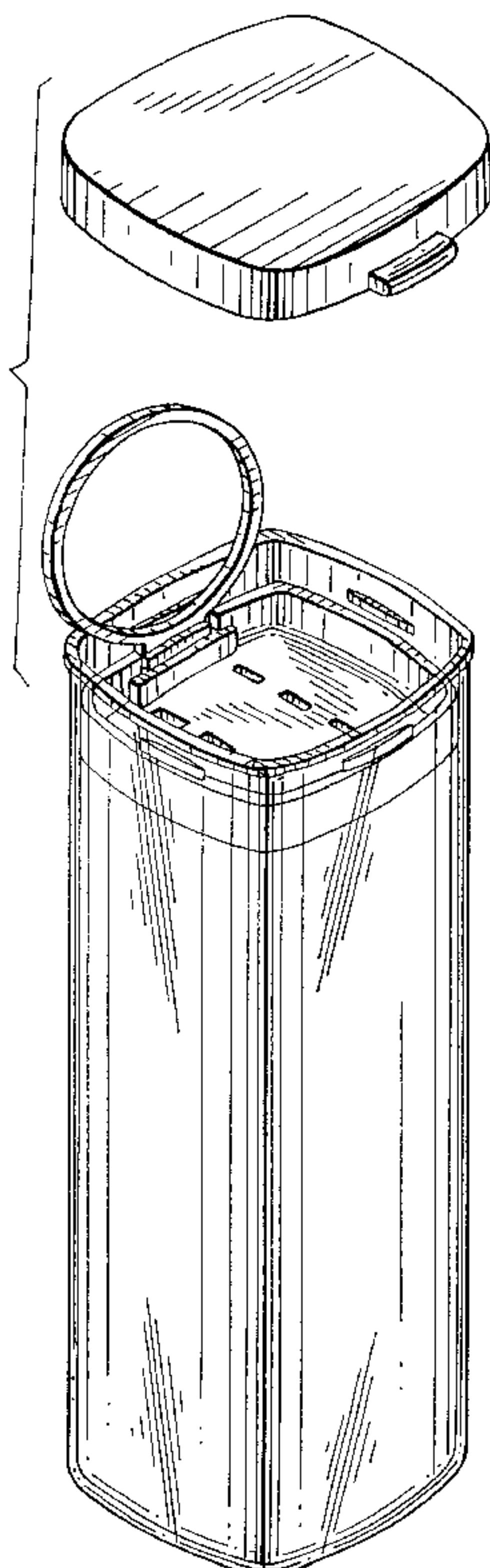


FIG. 1

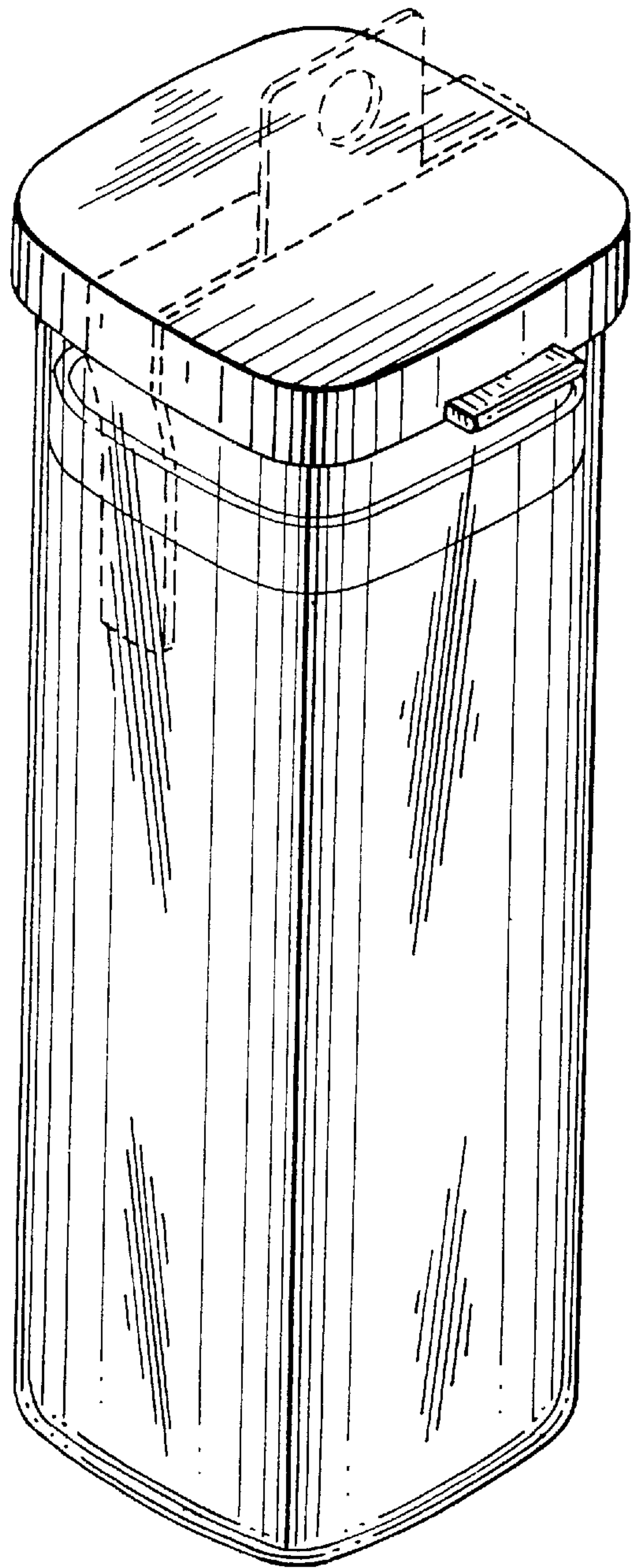


FIG. 2

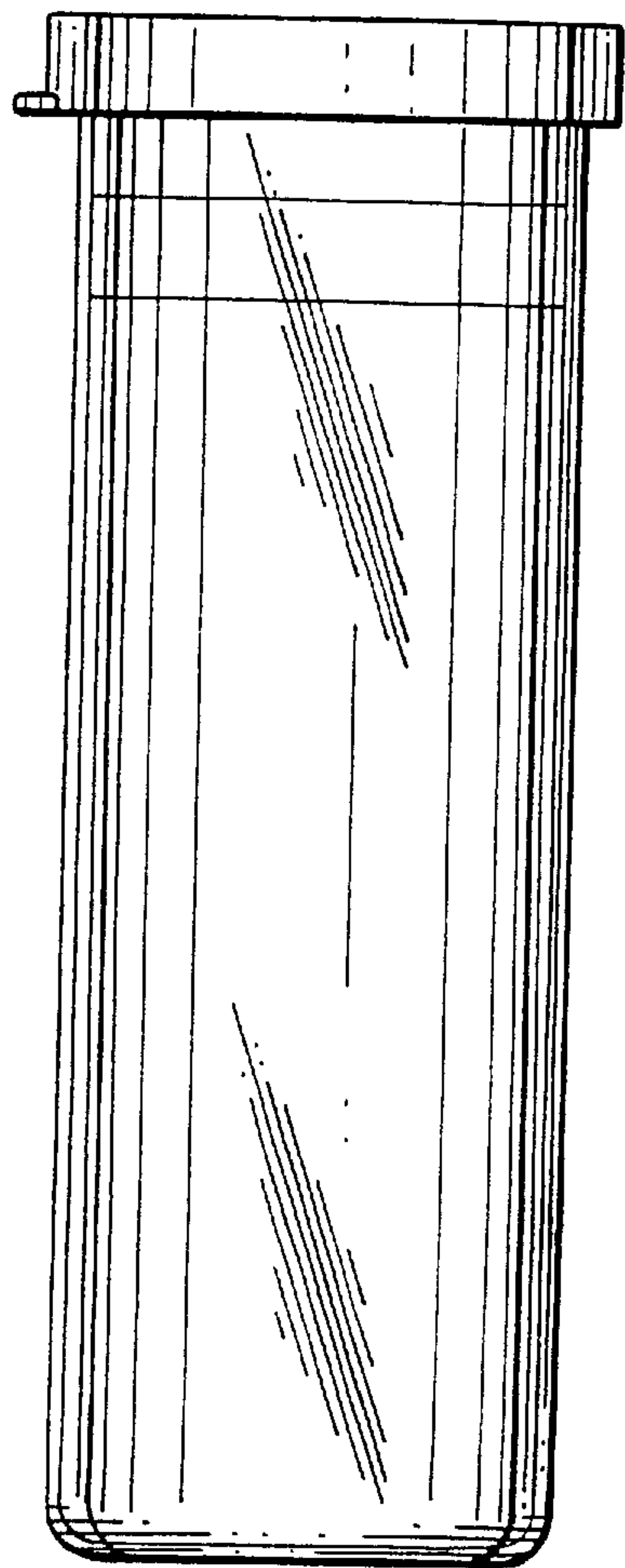
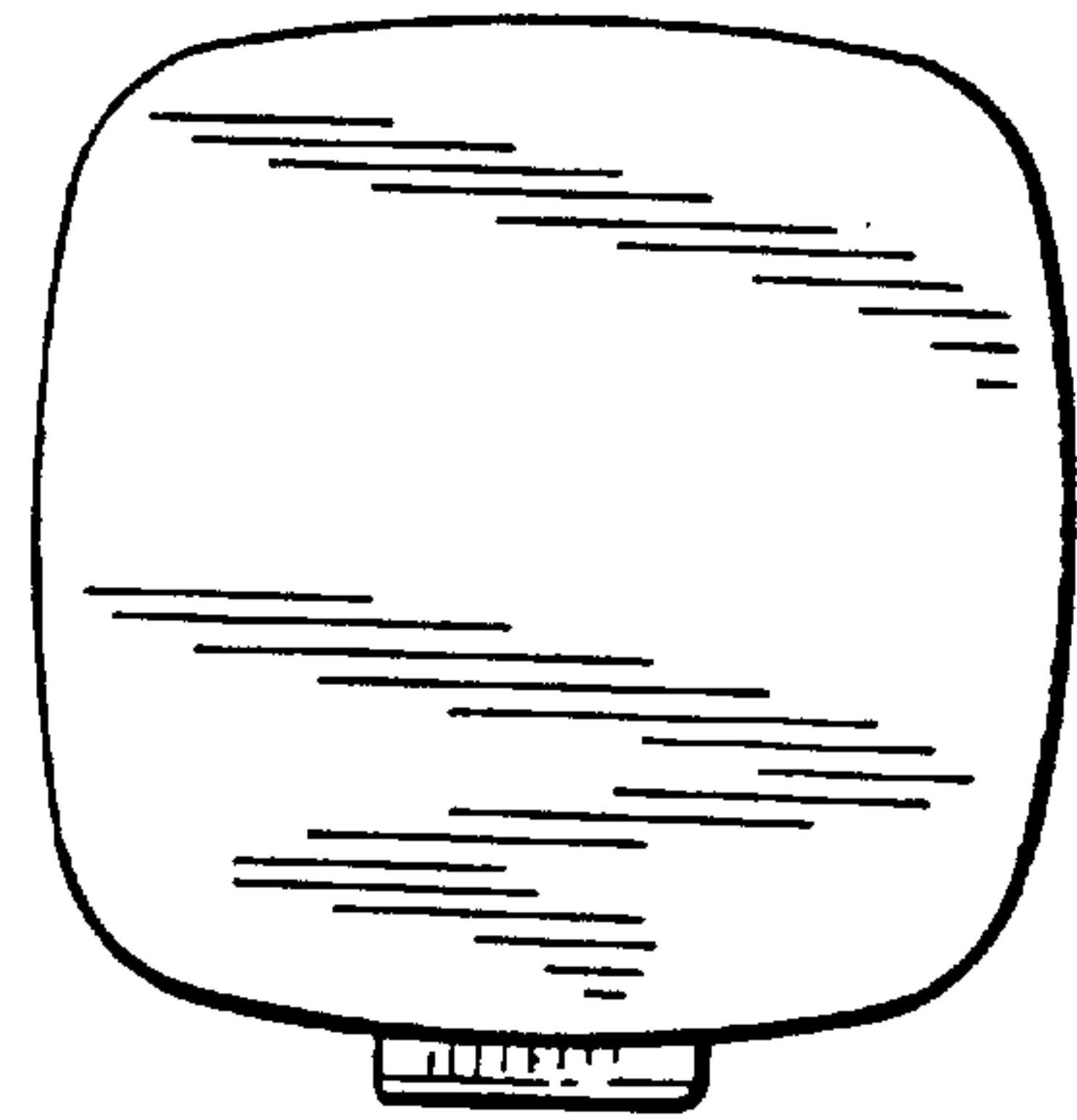


FIG. 3

FIG. 4

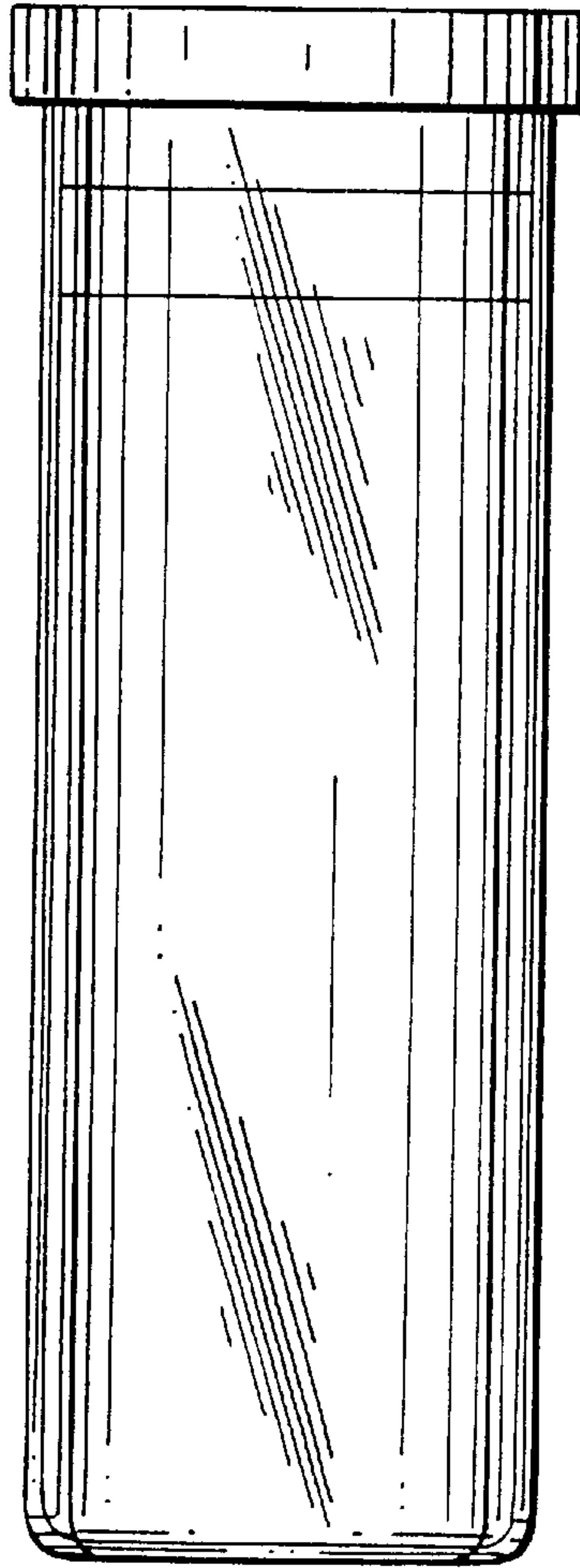
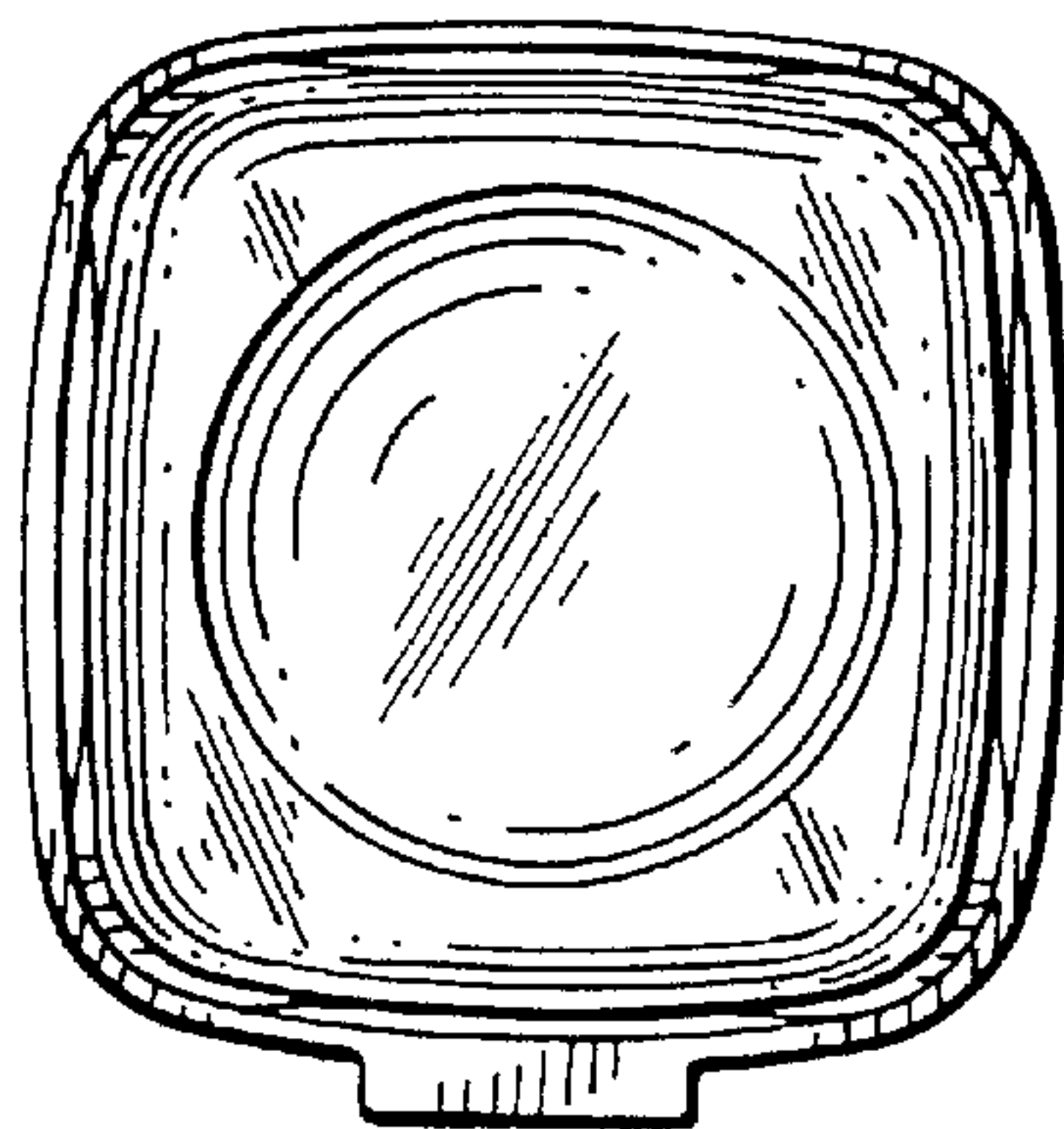


FIG. 5



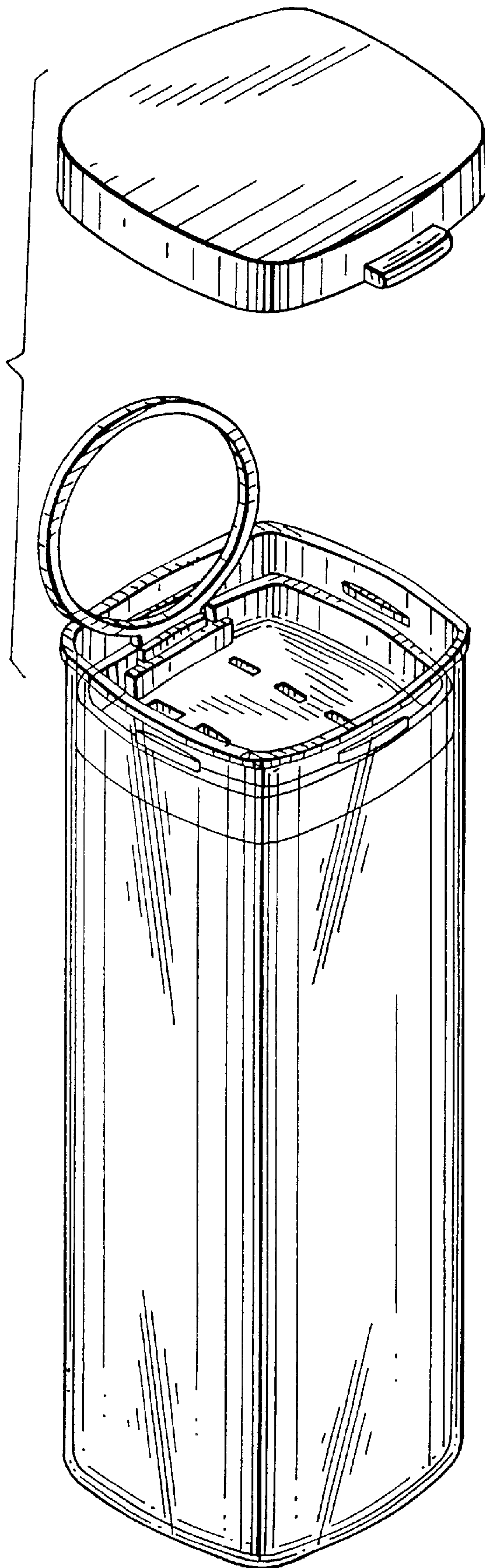


FIG. 6