



US00D490703S

(12) **United States Design Patent**
Rusnock

(10) **Patent No.:** **US D490,703 S**

(45) **Date of Patent:** **** Jun. 1, 2004**

(54) **BEVERAGE COOLER CARTON**

(75) **Inventor:** **Kevin R. Rusnock**, Broomfield, CO
(US)

(73) **Assignee:** **Coors Brewing Company**, Golden, CO
(US)

(**) **Term:** **14 Years**

4,676,429 A	6/1987	Crowe et al.	229/109
4,706,805 A	11/1987	Becher	206/144
4,709,852 A	12/1987	Stoll	229/119
D297,214 S	8/1988	Forbes, Jr.	D9/416
4,765,476 A	8/1988	Lee	206/427
4,777,992 A	10/1988	Olger	150/52 R
4,858,444 A	8/1989	Scott	62/372

(List continued on next page.)

(21) **Appl. No.:** **29/166,455**
(22) **Filed:** **Aug. 27, 2002**

Primary Examiner—Prabhakar Deshmukh
(74) *Attorney, Agent, or Firm*—Sheridan Ross P.C.

(51) **LOC (7) Cl.** **09-03**
(52) **U.S. Cl.** **D9/416; D9/418**
(58) **Field of Search** D9/416, 417, 418,
D9/432, 433; 229/117.09, 117.15, 117.23,
117.24, 123.1, 123.2, 123.3, 200, 242, 243,
162, 125.15; 206/769, 770, 776, 778; D7/601,
602, 605

(57) **CLAIM**

The ornamental design for a beverage cooler carton, as shown and described.

(56) **References Cited**

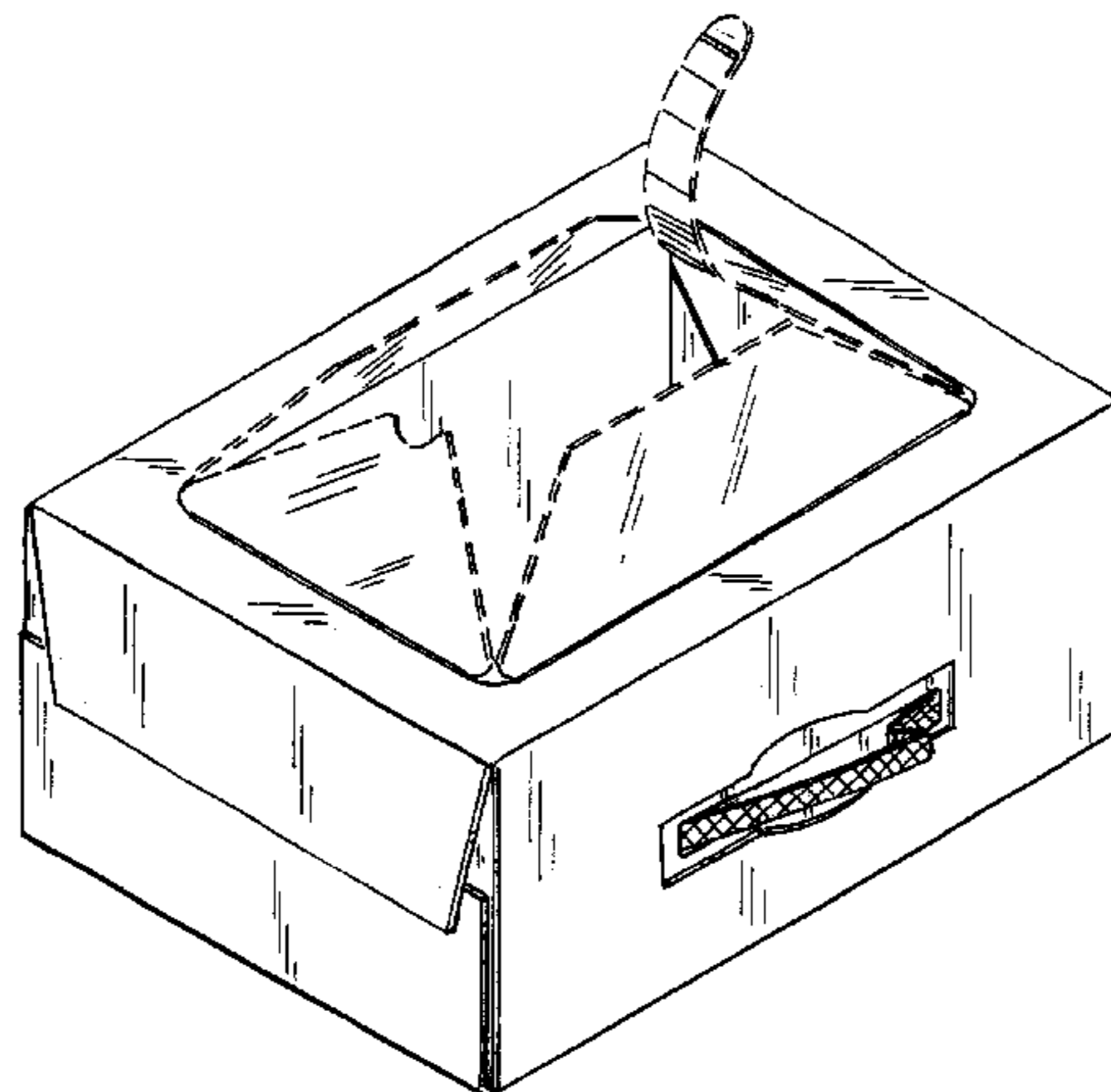
DESCRIPTION

U.S. PATENT DOCUMENTS

415,980 A	11/1889	Sachs	
975,792 A	11/1910	Pittman	
2,791,367 A	5/1957	Mefford	229/41
2,810,506 A	10/1957	Kessler	229/31
2,844,299 A	7/1958	Kessler et al.	229/52
2,979,227 A	4/1961	Noton et al.	220/105
3,006,165 A	10/1961	Mittelberger	62/371
3,031,121 A	4/1962	Chase	229/14
3,119,494 A	1/1964	Rosenstiel	206/46
3,533,549 A *	10/1970	Gilchrist	229/242
3,974,658 A	8/1976	Starrett	62/60
D242,901 S	1/1977	Lohrbach	D9/224
4,139,146 A	2/1979	Bamburg et al.	229/32
D259,615 S	6/1981	Morris, Jr.	D7/76
4,328,923 A	5/1982	Graser	229/33
D265,723 S *	8/1982	Rosenthal	D9/418
4,350,250 A *	9/1982	Peters	229/242
4,386,700 A	6/1983	Deaton	206/507
D271,944 S	12/1983	Wood	D9/416
4,530,459 A	7/1985	Maroszek	229/23 R
D281,120 S	10/1985	Rabinowitz	D3/42
D284,939 S *	8/1986	Sandish et al.	D9/418

FIG. 1 is a perspective view of the beverage cooler carton of the invention, showing my new design;
FIG. 2 is a front elevation view of the invention shown in FIG. 1;
FIG. 3 is a rear elevation view of the invention shown in FIG. 1;
FIG. 4 is a top plan view of the invention shown in FIG. 1;
FIG. 5 is a bottom plan view of the invention shown in FIG. 1;
FIG. 6 is a side elevation view of the invention shown in FIG. 1, the right and left side elevation views being symmetrical and identical;
FIG. 7 is a perspective view of the invention shown in an open position;
FIG. 8 is a front elevation view of the invention shown in FIG. 7;
FIG. 9 is a rear elevation view of the invention shown in FIG. 7;
FIG. 10 is a top plan view of the invention shown in FIG. 7;
FIG. 11 is a bottom plan view of the invention shown in FIG. 7;
FIG. 12 is a left side elevation view of the invention shown in FIG. 7; and,
FIG. 13 is a right side elevation view of the invention shown in FIG. 7.

1 Claim, 5 Drawing Sheets



US D490,703 S

Page 2

U.S. PATENT DOCUMENTS

4,869,387 A	9/1989	Persson	220/20.5	D344,020 S	*	2/1994	Oavely	D9/416
4,899,553 A	2/1990	Drummond, III	62/372	5,284,294 A		2/1994	Floyd	229/179
4,948,033 A	8/1990	Halsell, II et al.	229/23 R	5,303,863 A		4/1994	Arasim	229/227
D311,493 S	10/1990	Boone	D9/416	5,495,727 A		3/1996	Strong et al.	62/529
4,974,731 A	* 12/1990	Wood	229/117.13	5,542,598 A	*	8/1996	Capo	229/242
5,020,337 A	6/1991	Krieg	62/464	5,582,343 A		12/1996	Dalvey	229/101
5,072,876 A	12/1991	Wilson	229/40	5,704,470 A		1/1998	Sutherland	206/147
5,094,359 A	3/1992	DeMars et al.	220/462	6,098,874 A	*	8/2000	Tokarski	229/242
5,101,642 A	4/1992	Alexandrov	62/371	D446,448 S		8/2001	Jernigan et al.	D9/418
D334,255 S	3/1993	Nelson	D30/162	D447,685 S	*	9/2001	Chagnon et al.	D9/418
5,246,112 A	9/1993	Stout et al.	206/427	D452,154 S		12/2001	Rhodes et al.	D9/432

* cited by examiner

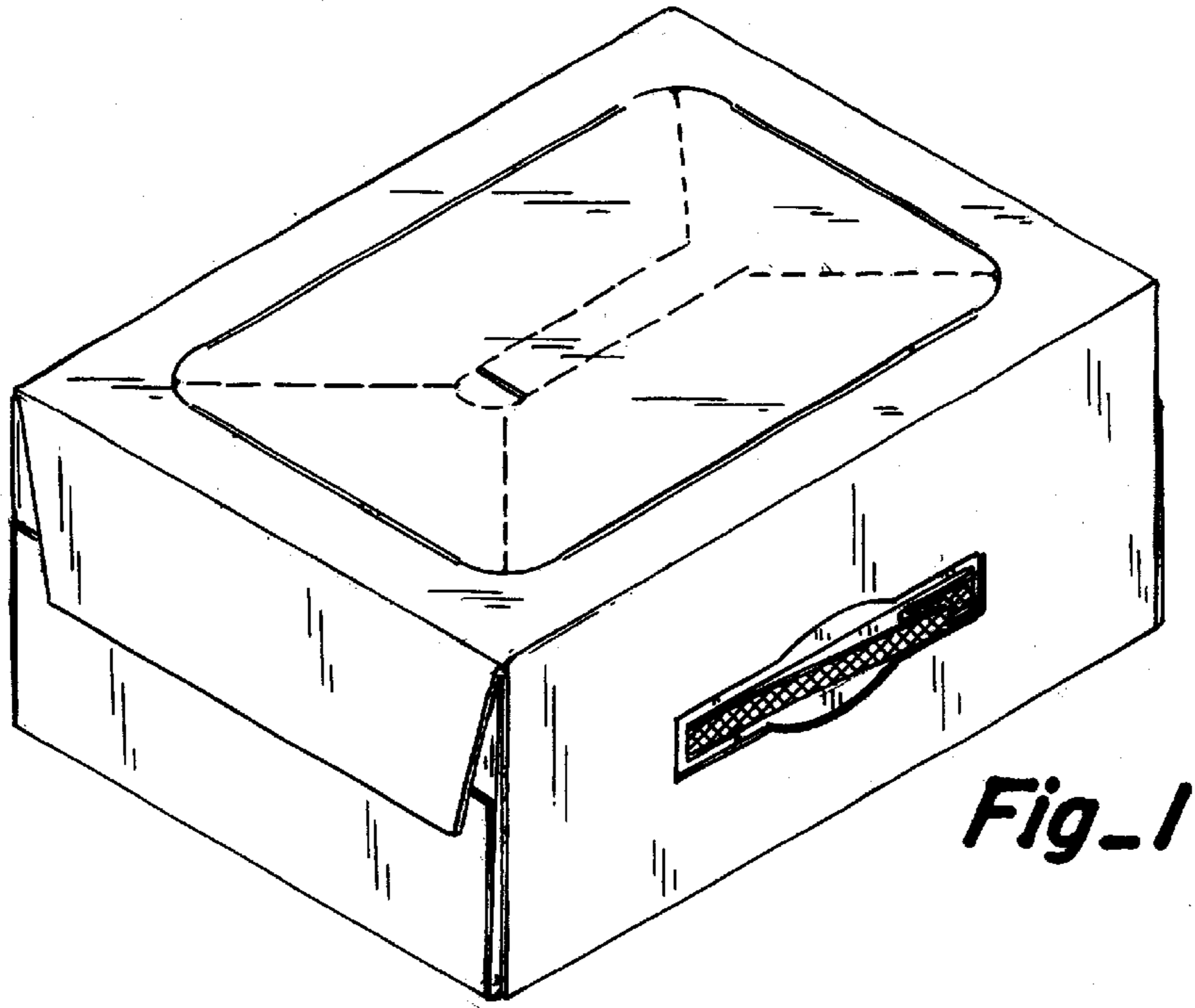


Fig-1

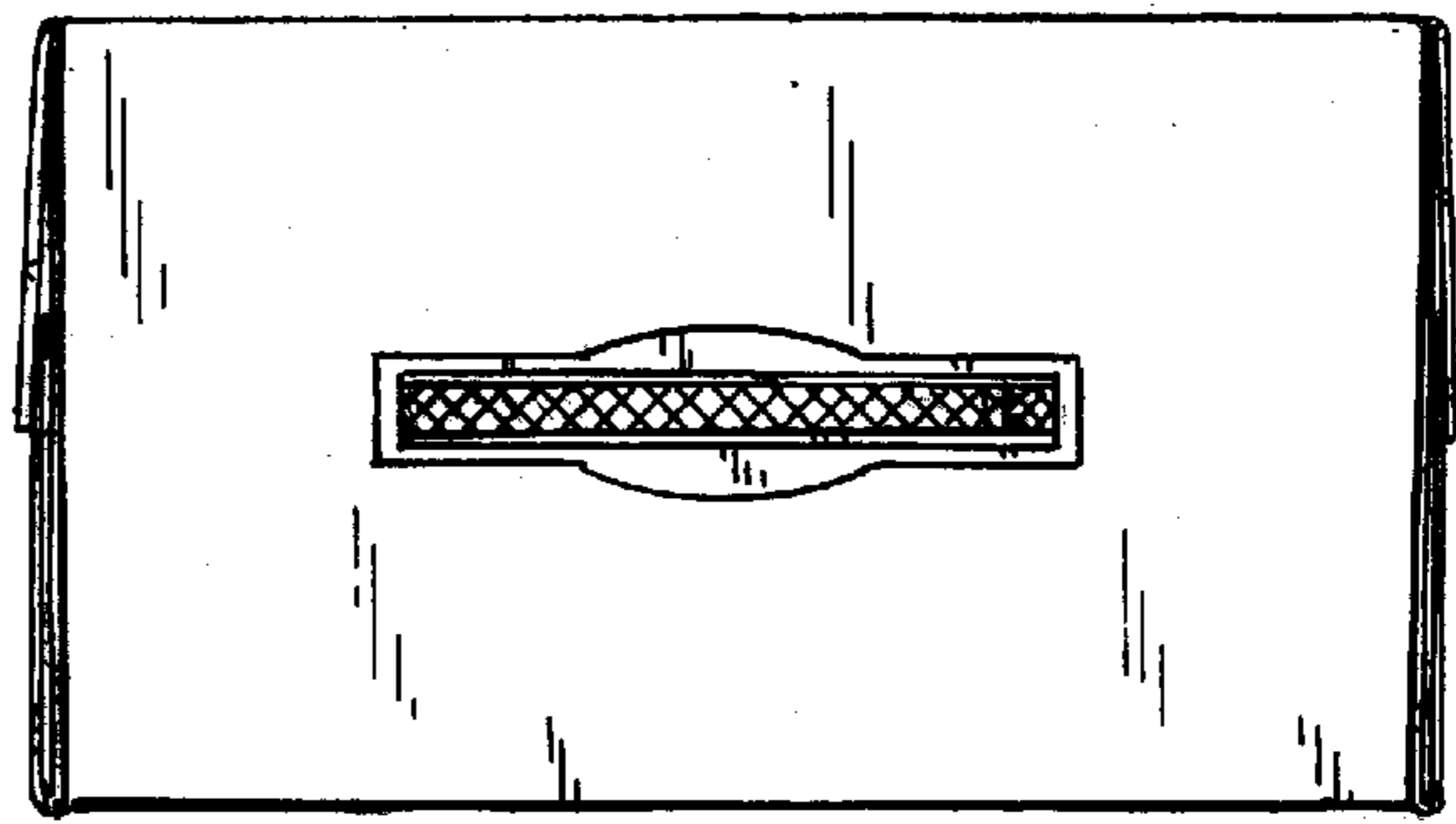


Fig-2

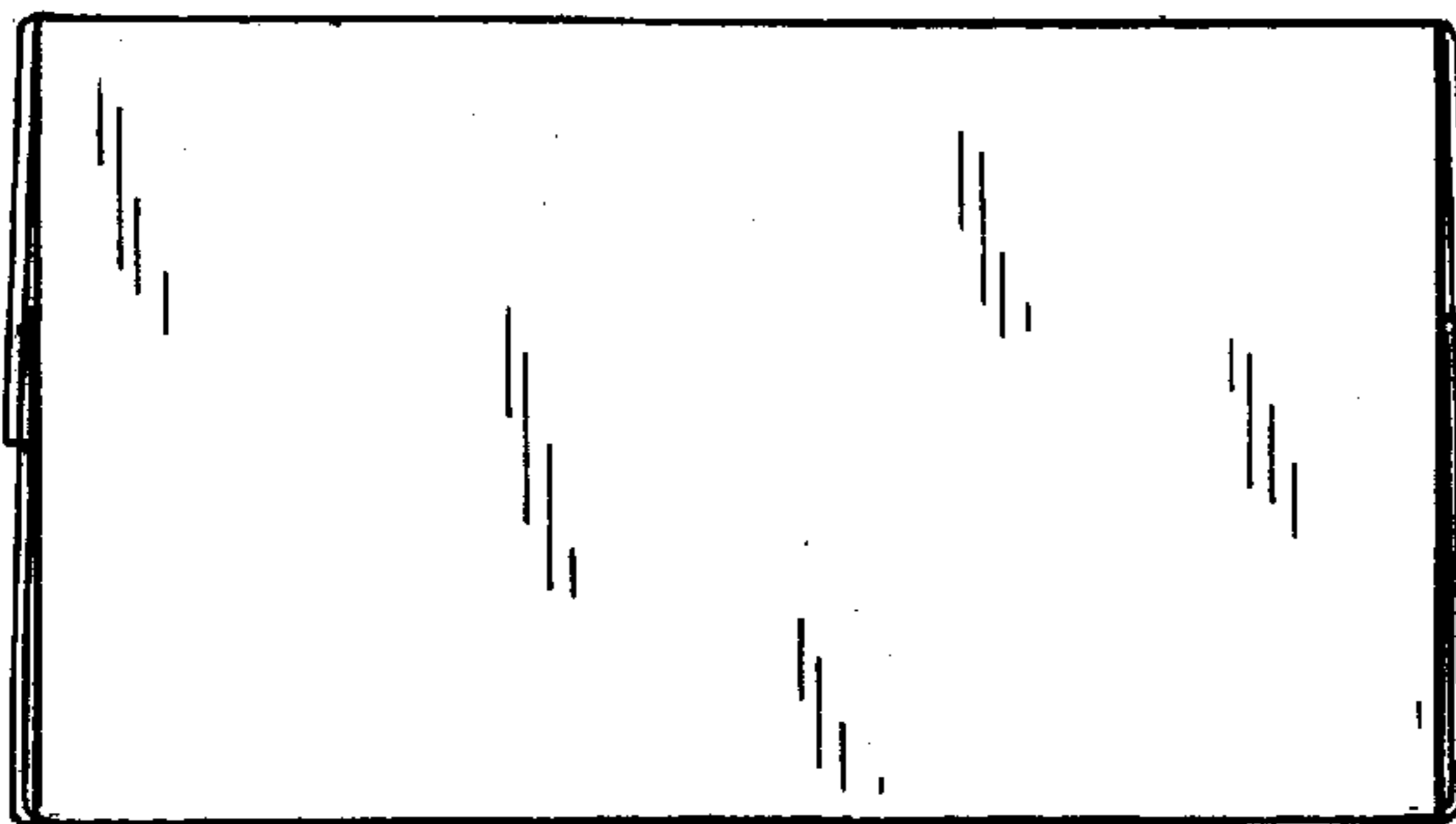
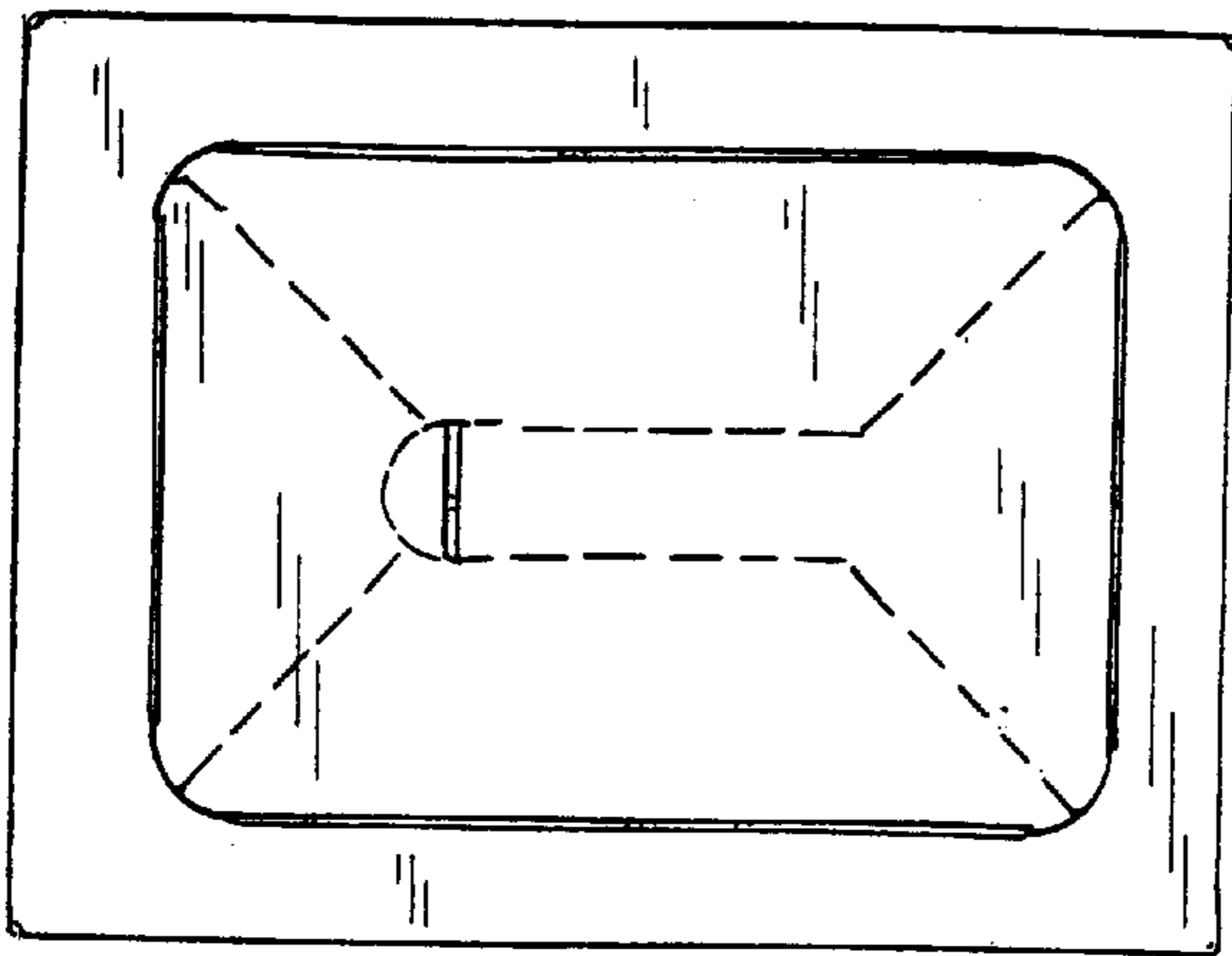
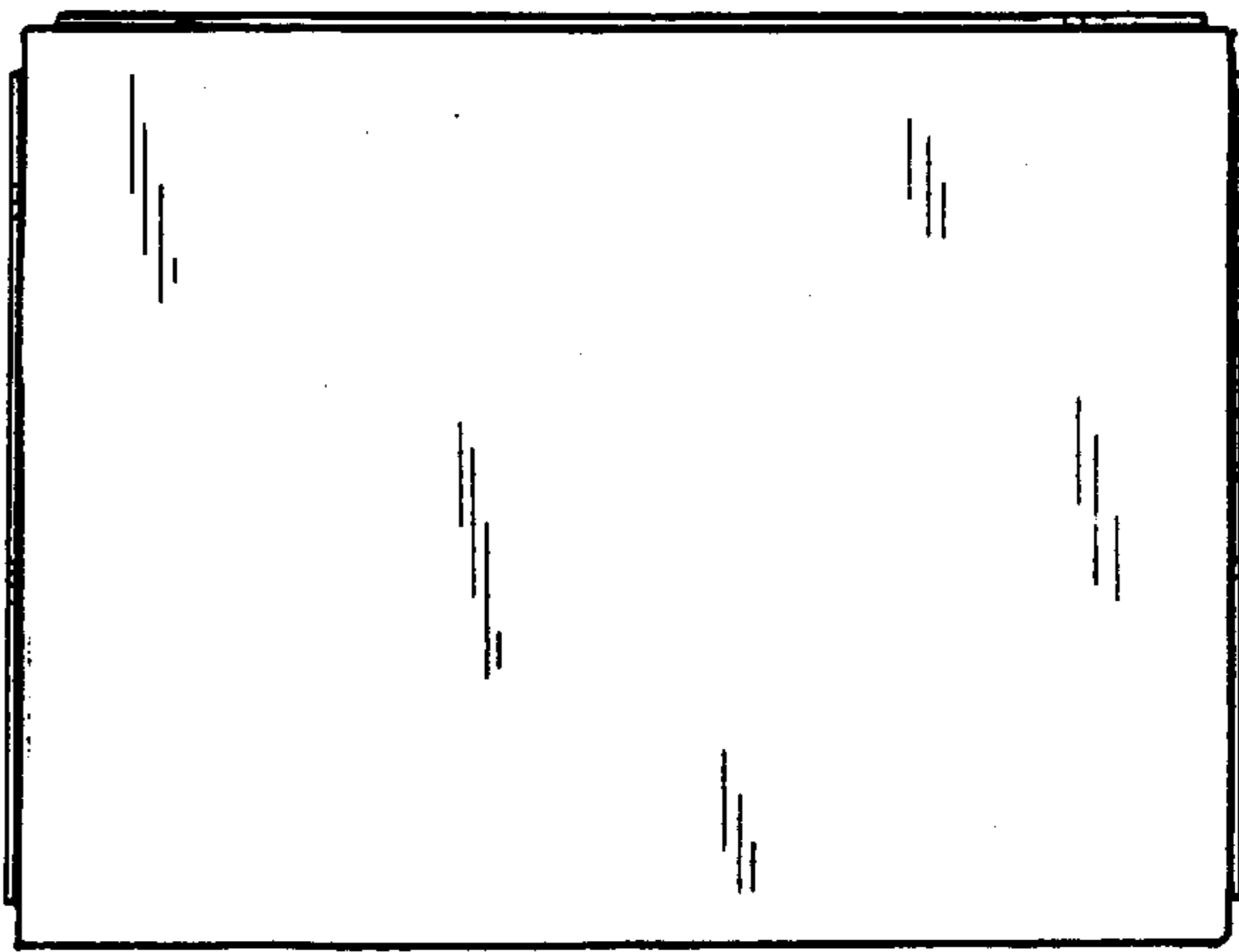


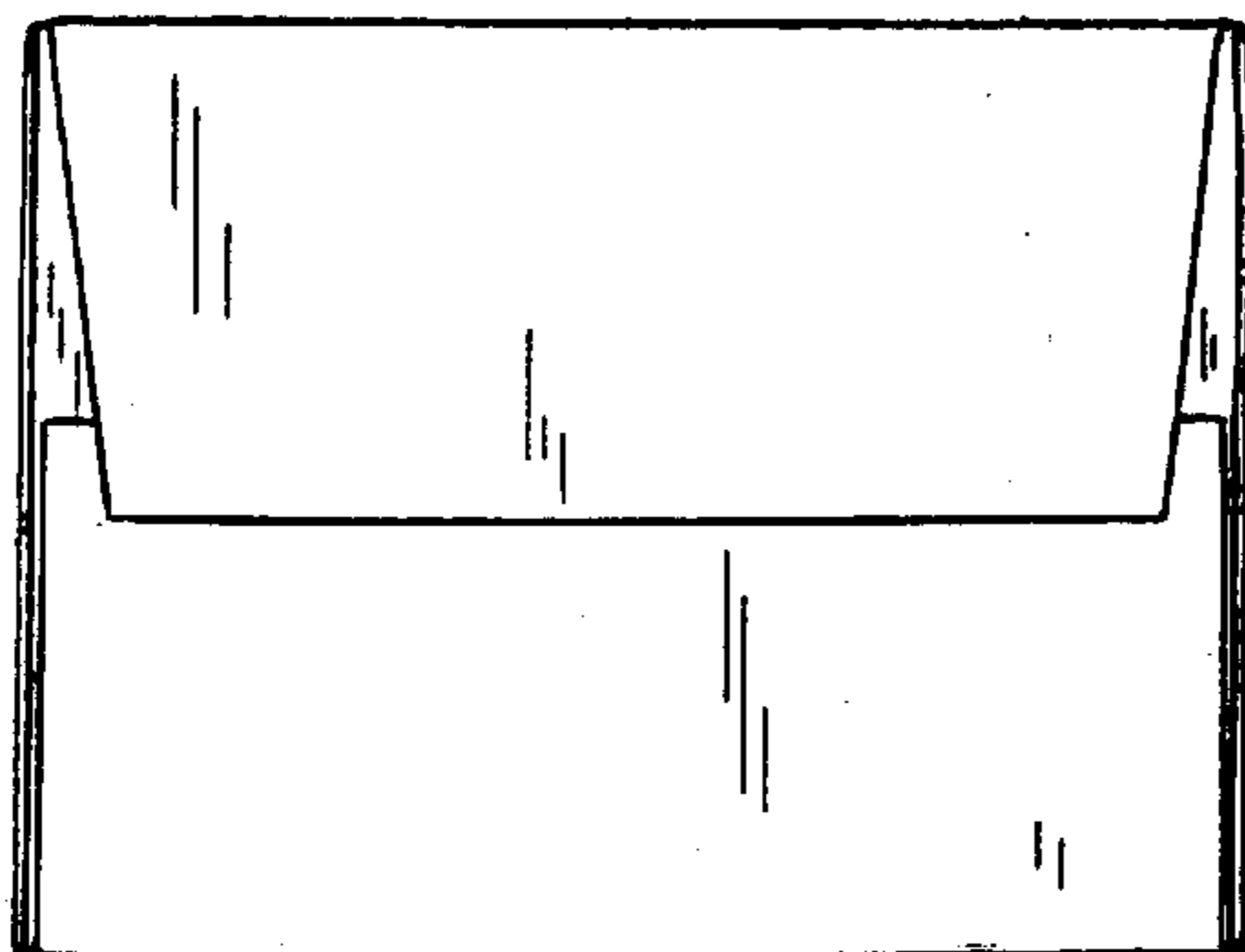
Fig-3



Fig_4



Fig_5



Fig_6

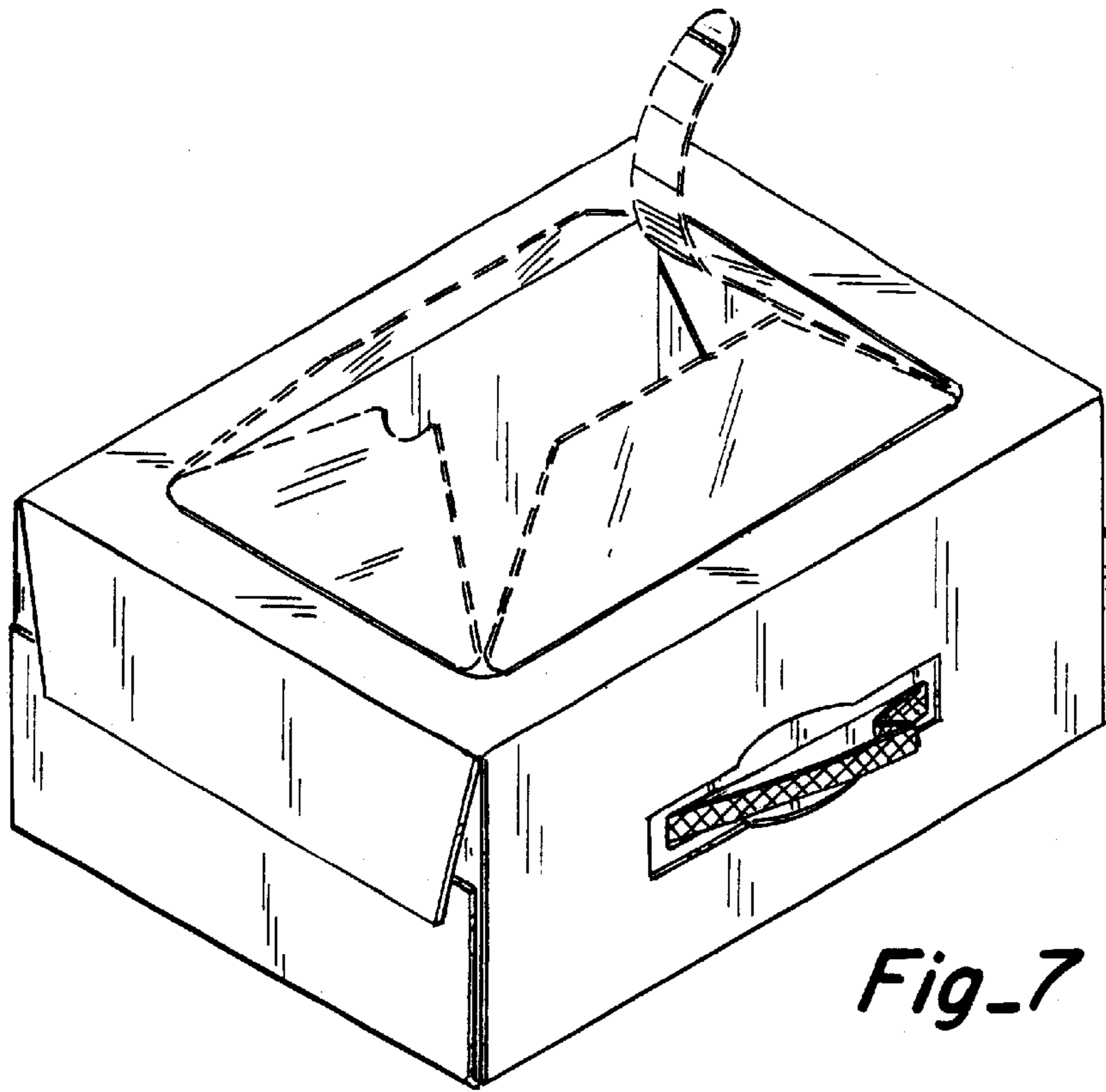


Fig-7

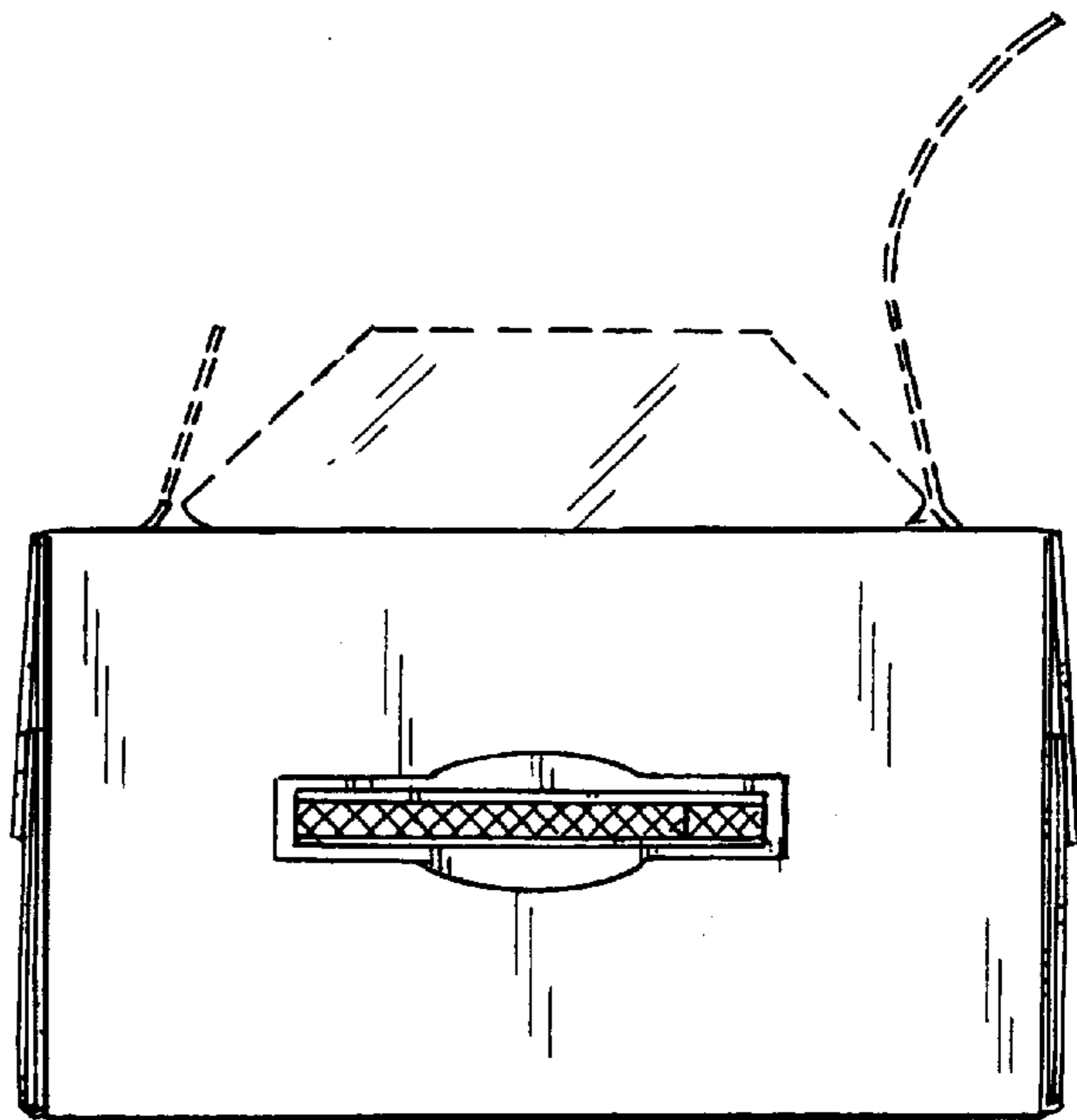
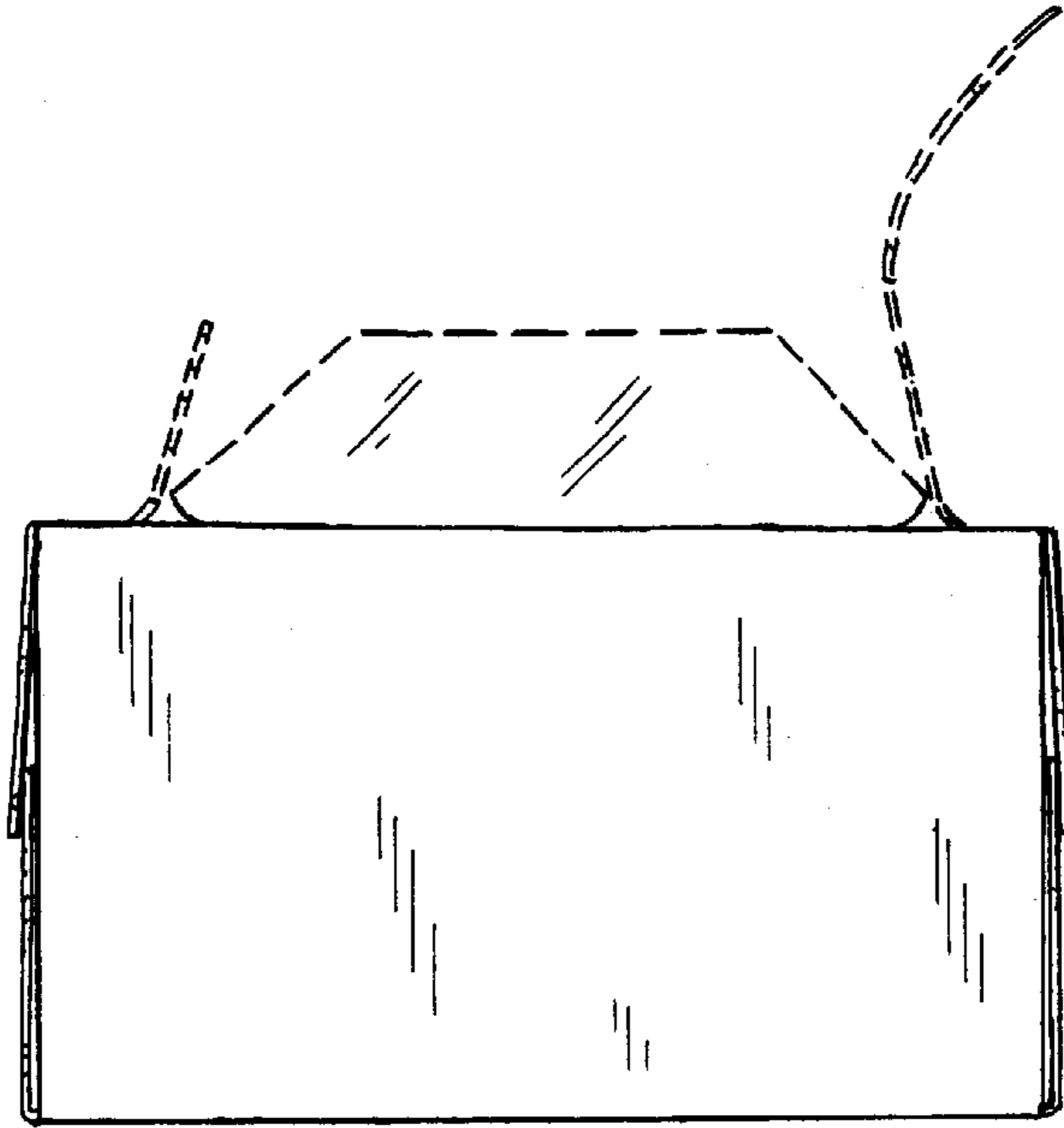
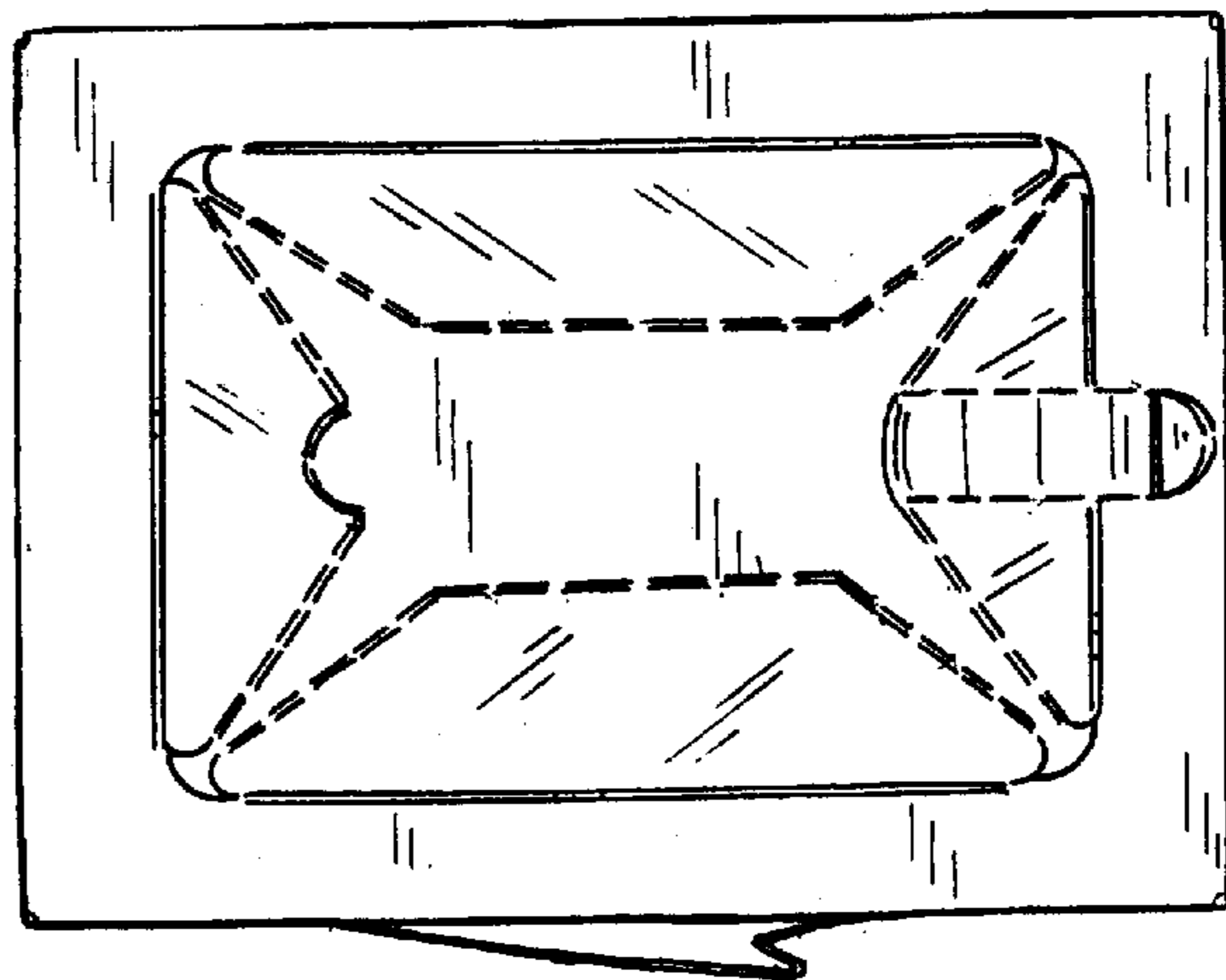


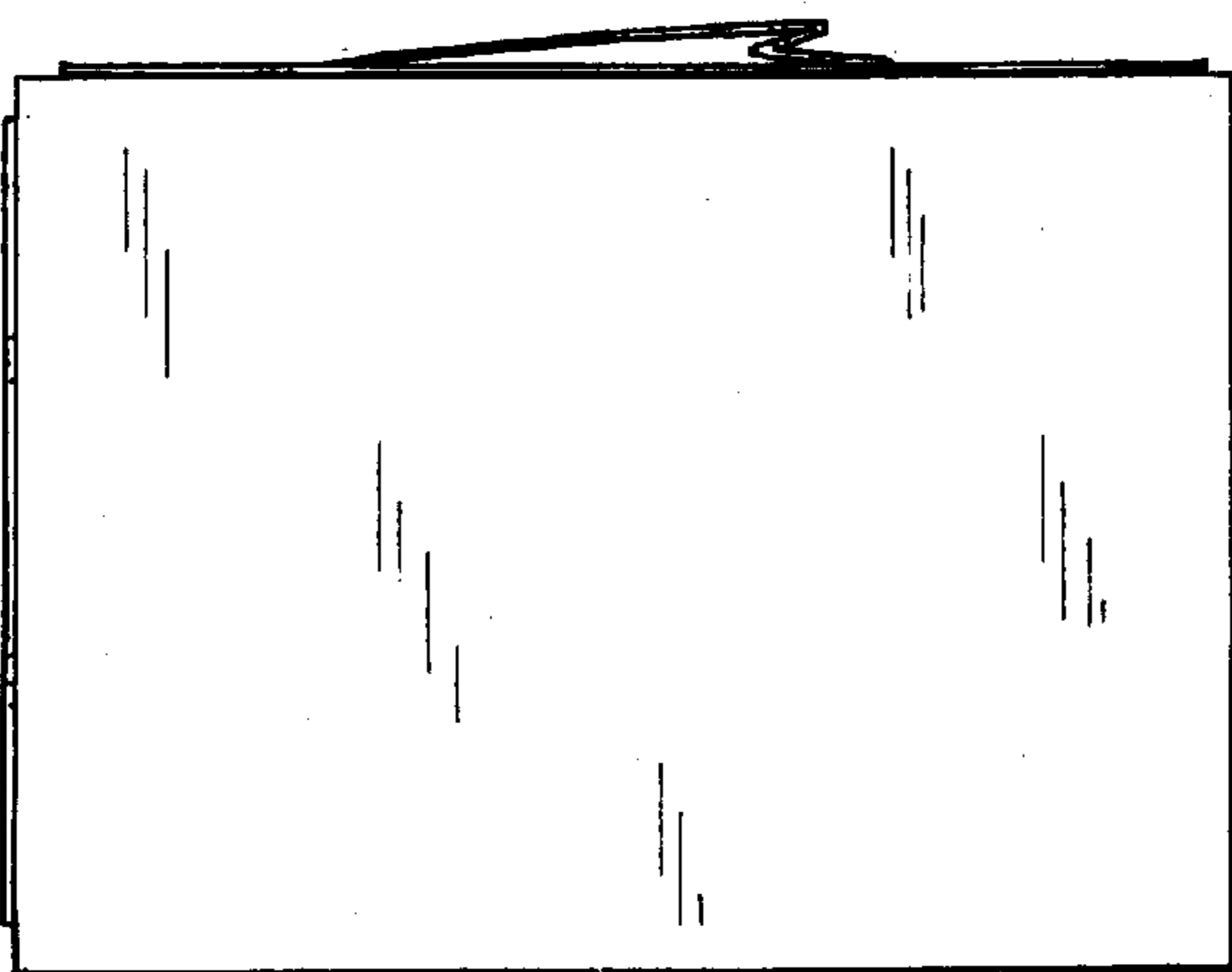
Fig-8



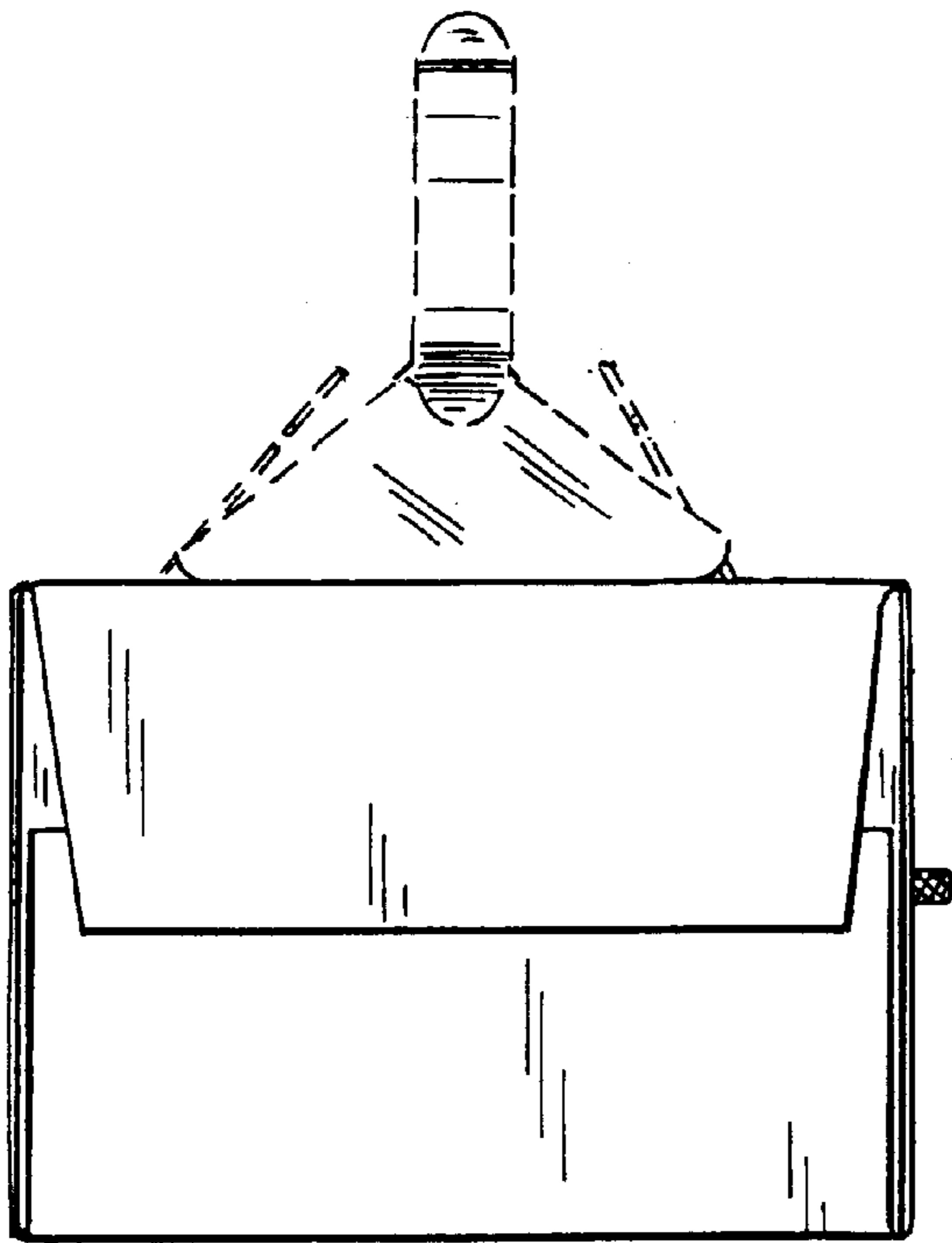
Fig_9



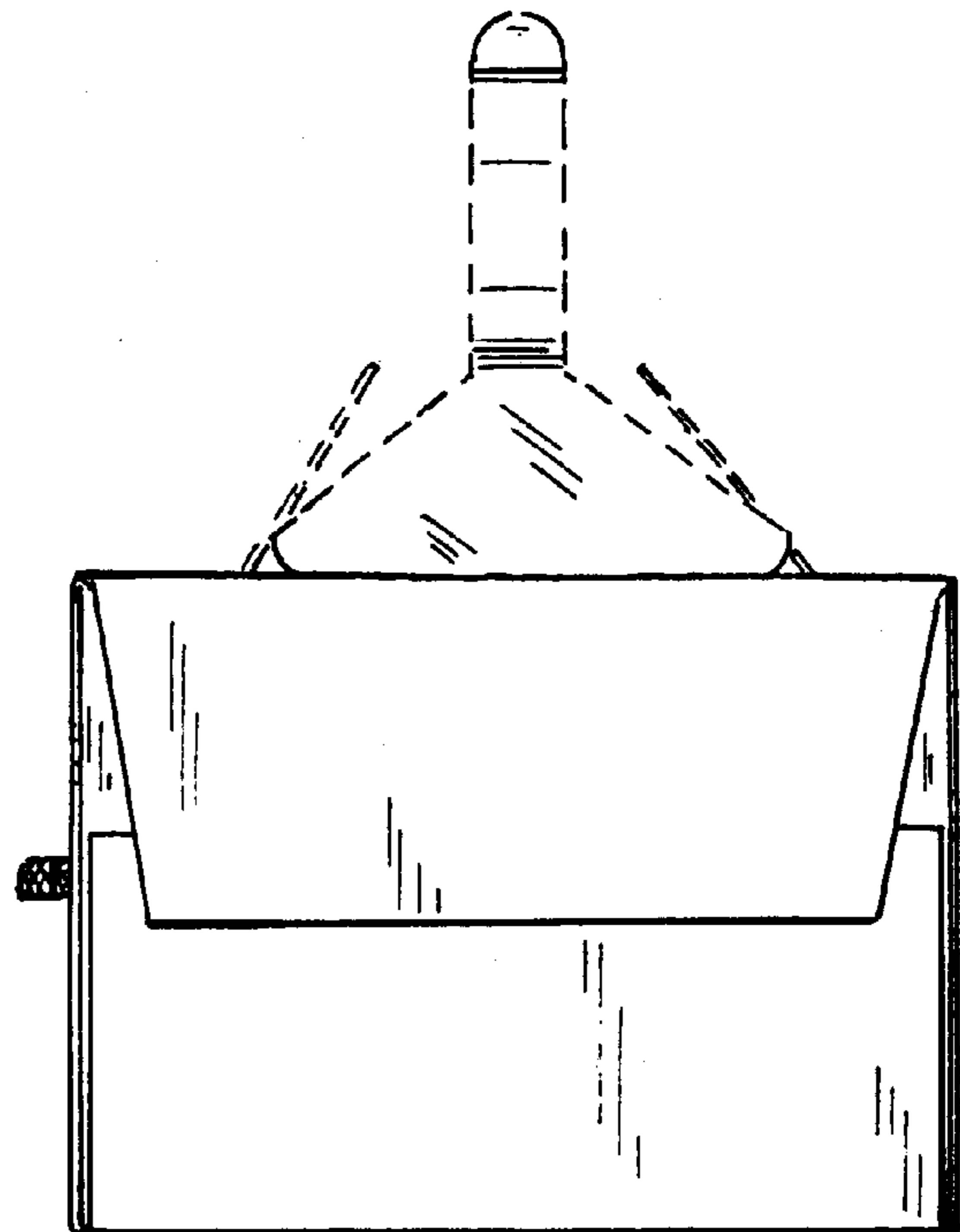
Fig_10



Fig_11



Fig_12



Fig_13