



US00D490702S

(12) **United States Design Patent**
Milan

(10) **Patent No.:** **US D490,702 S**
(45) **Date of Patent:** **** Jun. 1, 2004**

(54) **PACKAGE FOR COMPUTER CABLE**

(76) Inventor: **Henry Milan**, 1709 Apple Ridge Ct.,
Rochester Hills, MI (US) 48306

(**) Term: **14 Years**

(21) Appl. No.: **29/185,617**

(22) Filed: **Jun. 30, 2003**

Related U.S. Application Data

(62) Division of application No. 29/154,307, filed on Nov. 13,
2001, now Pat. No. Des. 478,001.

(51) **LOC (7) Cl.** **09-03**

(52) **U.S. Cl.** **D9/415**

(58) **Field of Search** D9/415, 418, 414,
D9/347, 337; 206/461-471, 806, 495, 702,
579, 307, 389, 775-779, 303

(56) **References Cited**

U.S. PATENT DOCUMENTS

3,434,591 A	3/1969	Hanscom	
4,285,157 A	8/1981	Lambert	
D261,988 S	11/1981	Nichols et al.	
D285,905 S	9/1986	Segal	
4,613,038 A	9/1986	Kirk	
4,637,516 A	1/1987	de Roure	
D306,561 S	3/1990	Lee	
D328,249 S	7/1992	Lee	
D332,216 S	1/1993	Lee et al.	
D332,398 S	1/1993	Lee et al.	
D349,239 S	8/1994	Steenland	
D351,342 S	10/1994	Lee et al.	
D370,626 S	6/1996	Pass et al.	
D371,071 S	* 6/1996	Ford D9/415
D372,193 S	7/1996	Lee	
5,598,921 A	* 2/1997	Hunt 206/214
D380,963 S	7/1997	Lee	
D384,579 S	10/1997	Lee	
D389,402 S	1/1998	Lee	
5,738,209 A	4/1998	Burr et al.	
D396,632 S	8/1998	Lee	
D400,096 S	10/1998	Lee	

D405,367 S	2/1999	Lee et al.
D405,368 S	2/1999	Lee
D405,688 S	2/1999	Lee et al.
D406,753 S	3/1999	Lee
D408,280 S	4/1999	Manley et al.
D412,843 S	8/1999	Melzer
D414,410 S	9/1999	Klein et al.
D418,408 S	1/2000	Humphrey
6,026,961 A	2/2000	McCarthy et al.
D426,612 S	6/2000	Primeau, IV
D427,061 S	6/2000	Niksich
D429,149 S	8/2000	Humphrey
D431,459 S	10/2000	Lee
D433,325 S	11/2000	Humphrey
6,163,465 A	12/2000	Tanner et al.
D447,408 S	9/2001	Humphrey
D468,635 S	1/2003	Milan

* cited by examiner

Primary Examiner—Prabhakar Deshmukh
(74) *Attorney, Agent, or Firm*—MacMillan, Sobanski &
Todd, LLC

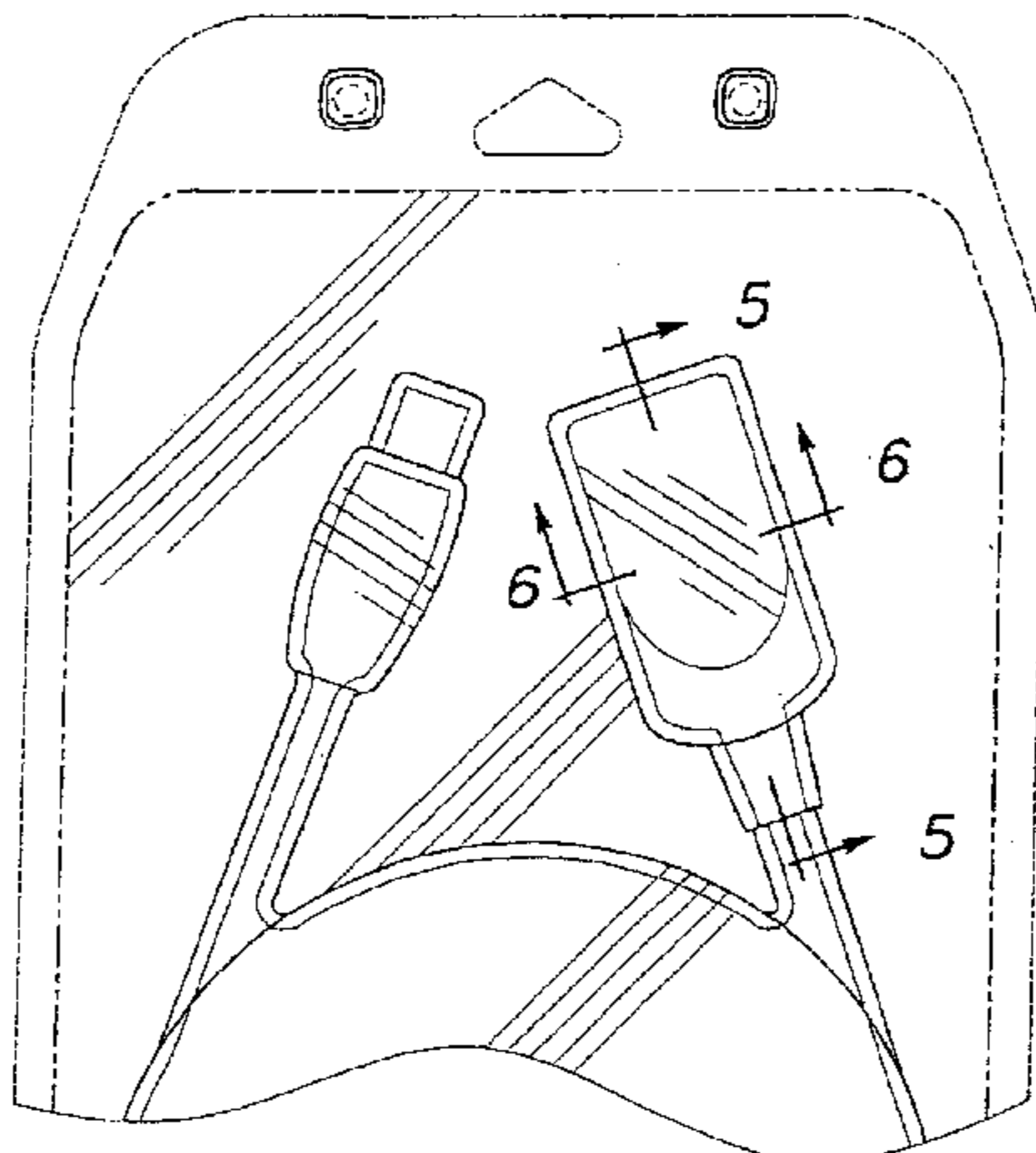
(57) **CLAIM**

The ornamental design for a package for computer cable, as
shown and described.

DESCRIPTION

FIG. 1 is a fragmentary front elevation view showing my
new package design.
FIG. 2 is an enlarged fragmentary top plan view of the right
portion thereof.
FIG. 3 is right side elevation view thereof.
FIG. 4 is a left side elevation view thereof.
FIG. 5 is an enlarged sectional view, taken in the direction
of the arrows, along the section line 5—5 of FIG. 1; and,
FIG. 6 is an enlarged sectional view, taken in the direction
of the arrows, along the section line 6—6 of FIG. 1.
The broken lines are for illustrative purpose only and form
no part of the claimed design. The broken lines define the
bounds of the claimed design where the surface shading
ends.

1 Claim, 2 Drawing Sheets



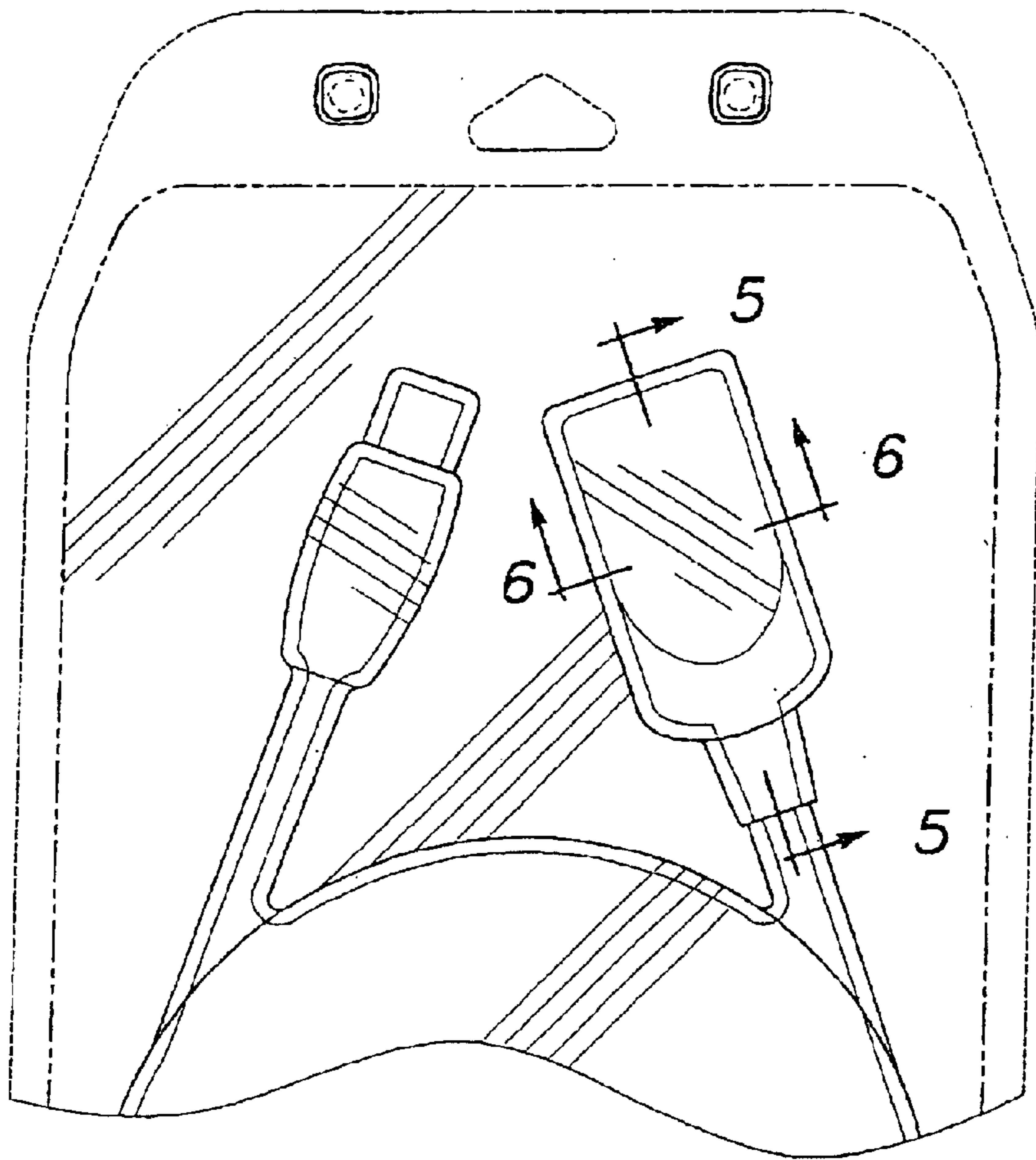


Fig- 1

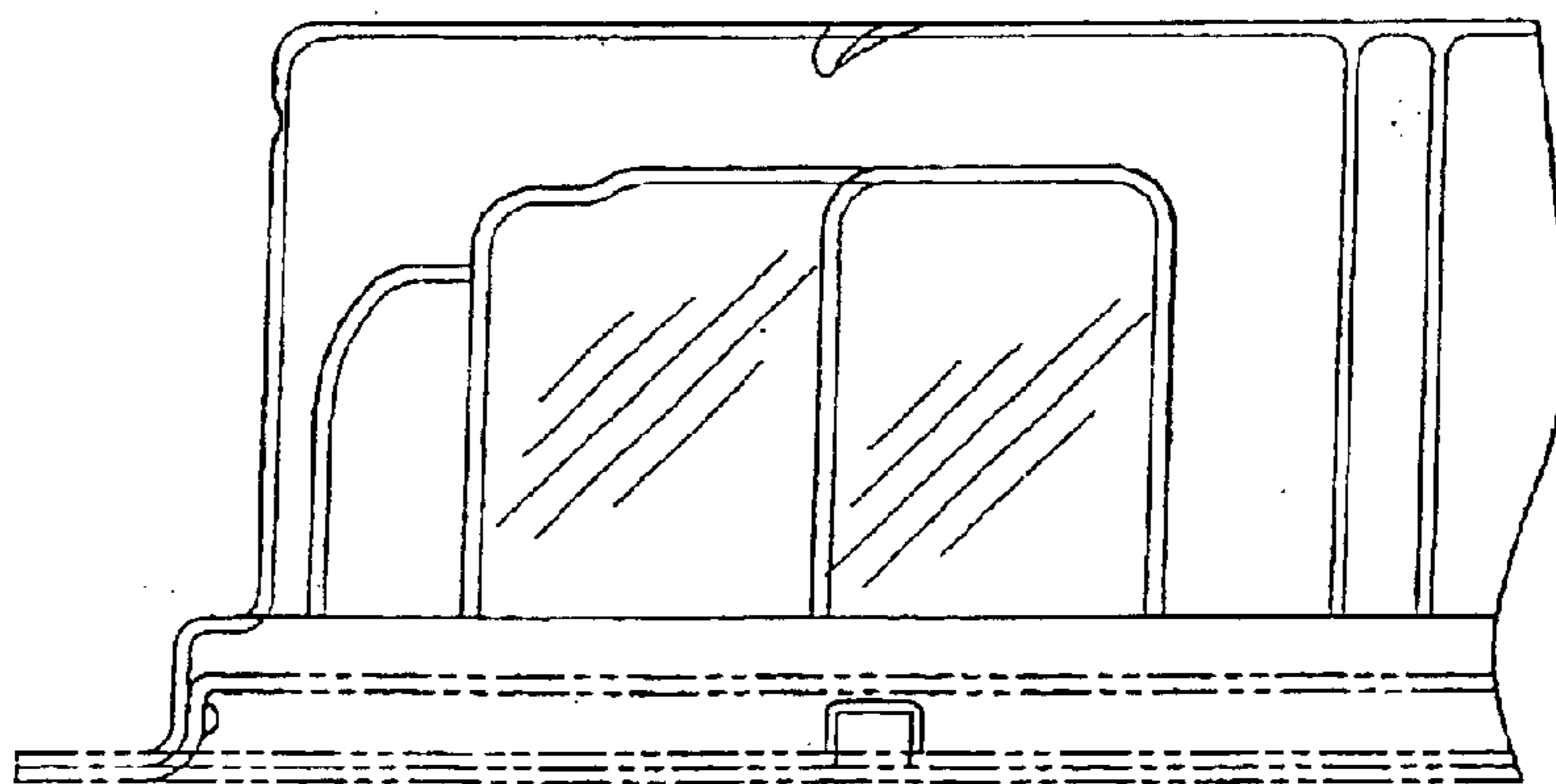


Fig- 2

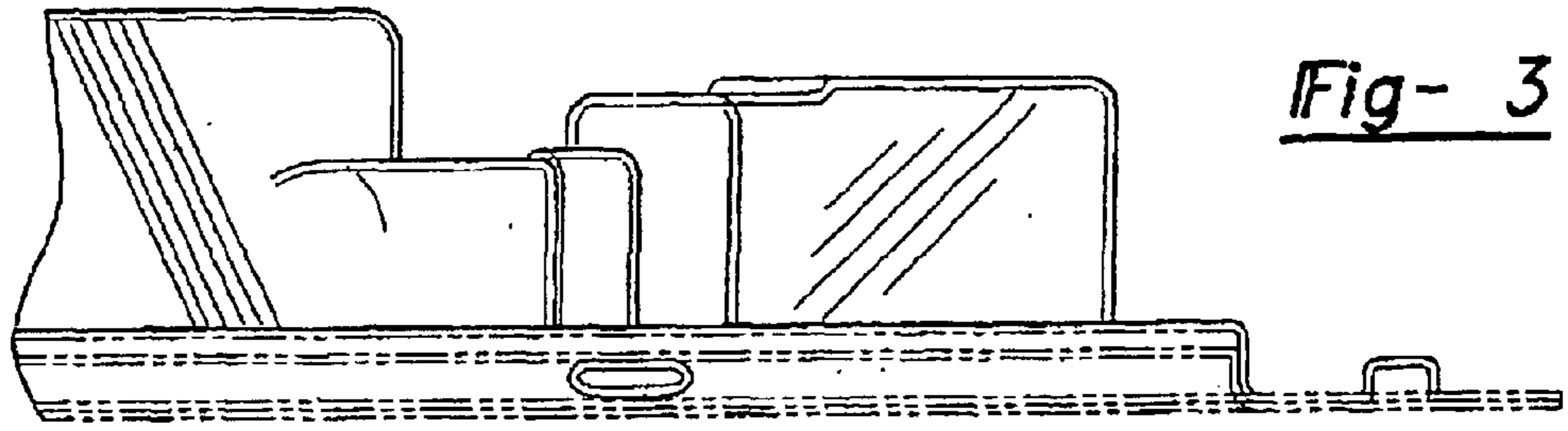


Fig- 3

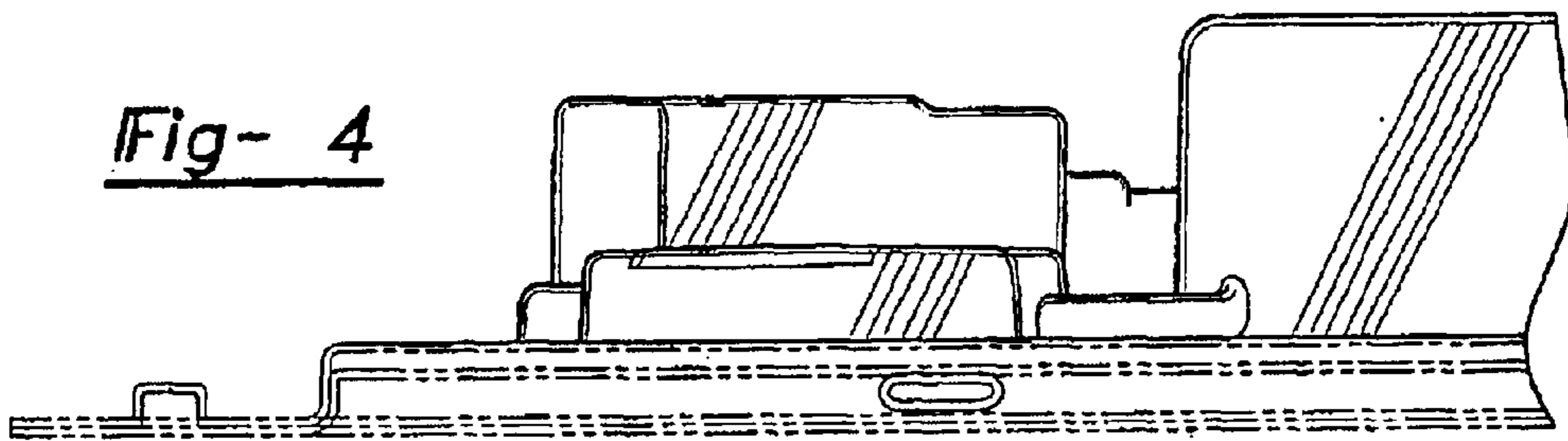


Fig- 4

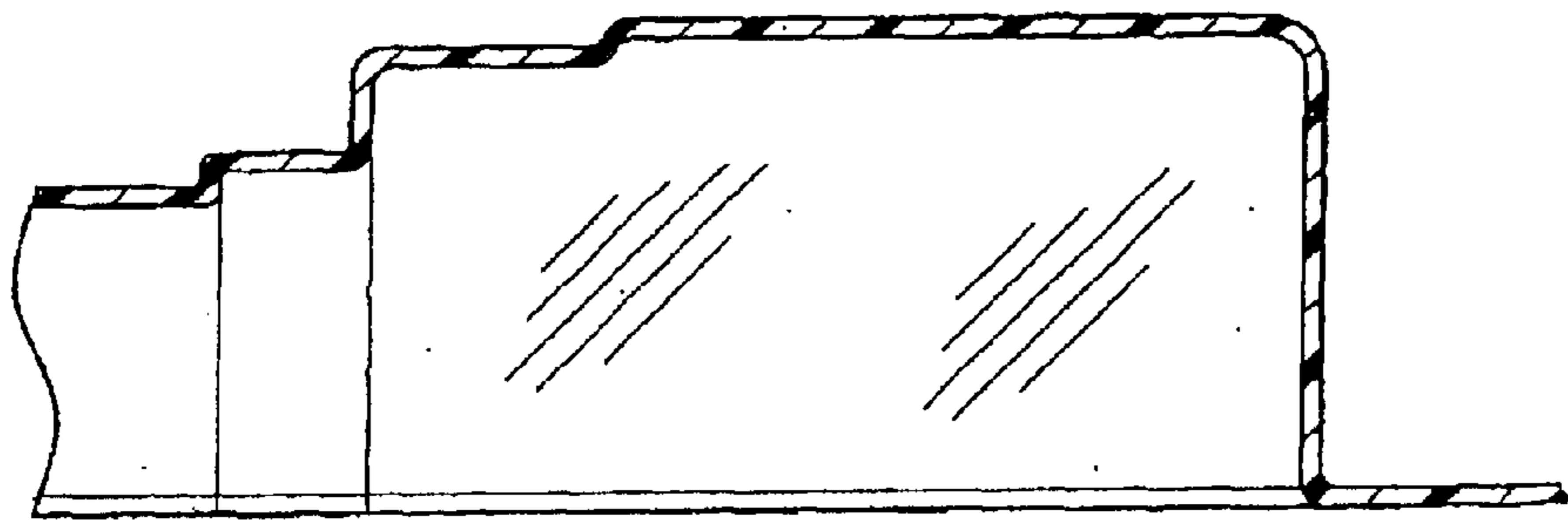


Fig- 5

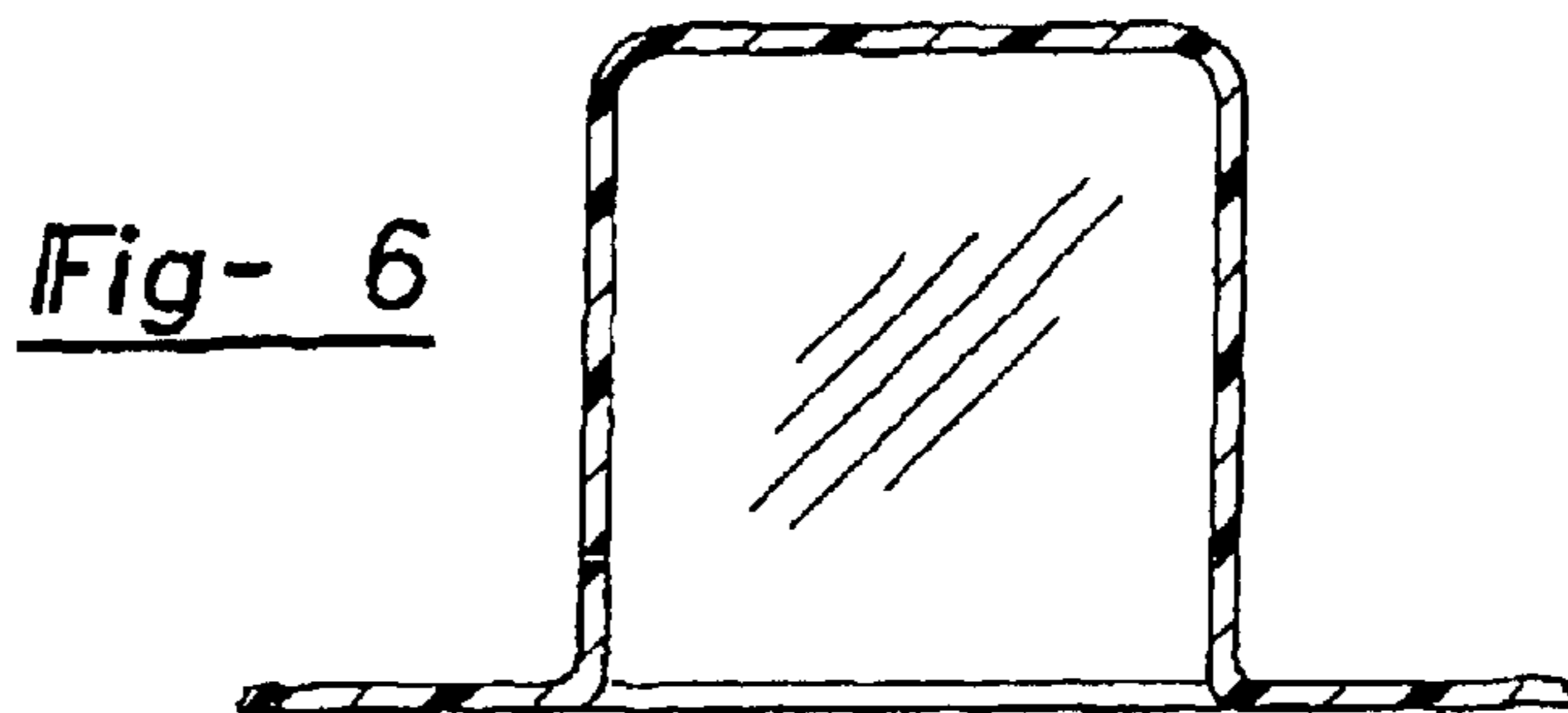


Fig- 6