



US00D490697S

(12) **United States Design Patent**
Runnalls

(10) **Patent No.: US D490,697 S**

(45) **Date of Patent: ** Jun. 1, 2004**

(54) **SUPPORT RAIL ASSEMBLY**

(76) Inventor: **Jeff Runnalls**, 240 Light St.,
Woodstock, ON (CA), N4S 6H8

(**) Term: **14 Years**

(21) Appl. No.: **29/176,887**

(22) Filed: **Mar. 3, 2003**

(30) **Foreign Application Priority Data**

Feb. 28, 2003 (CA) 102278

(51) **LOC (7) Cl. 08-05**

(52) **U.S. Cl. D8/380**

(58) **Field of Search** D8/349, 354, 363,
D8/380, 373; 211/70.1, 59.1; 248/339, 251,
552

(56) **References Cited**

U.S. PATENT DOCUMENTS

2,661,098	A	12/1953	Wannop	
2,730,243	A	1/1956	Platt	
2,754,974	A	7/1956	Larson	
2,805,777	A *	9/1957	Larson	211/70.1
3,297,374	A	1/1967	Radek	
3,733,755	A	5/1973	Butler	
4,308,961	A	1/1982	Kunce	
4,345,688	A	8/1982	De Boer	
4,362,285	A	12/1982	Lewis	
4,441,619	A	4/1984	Gibitz	
4,606,466	A *	8/1986	Fredrickson	211/59.1
4,688,683	A	8/1987	Thalenfeld et al.	
4,693,381	A	9/1987	Lodge	
4,726,554	A	2/1988	Sorrell	
4,771,897	A	9/1988	Ho	
4,869,378	A	9/1989	Miller	
5,097,966	A	3/1992	Miller	
5,097,968	A	3/1992	Gregory	

(List continued on next page.)

FOREIGN PATENT DOCUMENTS

CA 1186285 4/1985

CA	2000862	4/1991
CA	2066691	12/1996
CA	2338474	2/2000
CA	2336434	8/2001

Primary Examiner—Holly Baynham

(57) **CLAIM**

The ornamental design for a support rail assembly, as shown and described.

DESCRIPTION

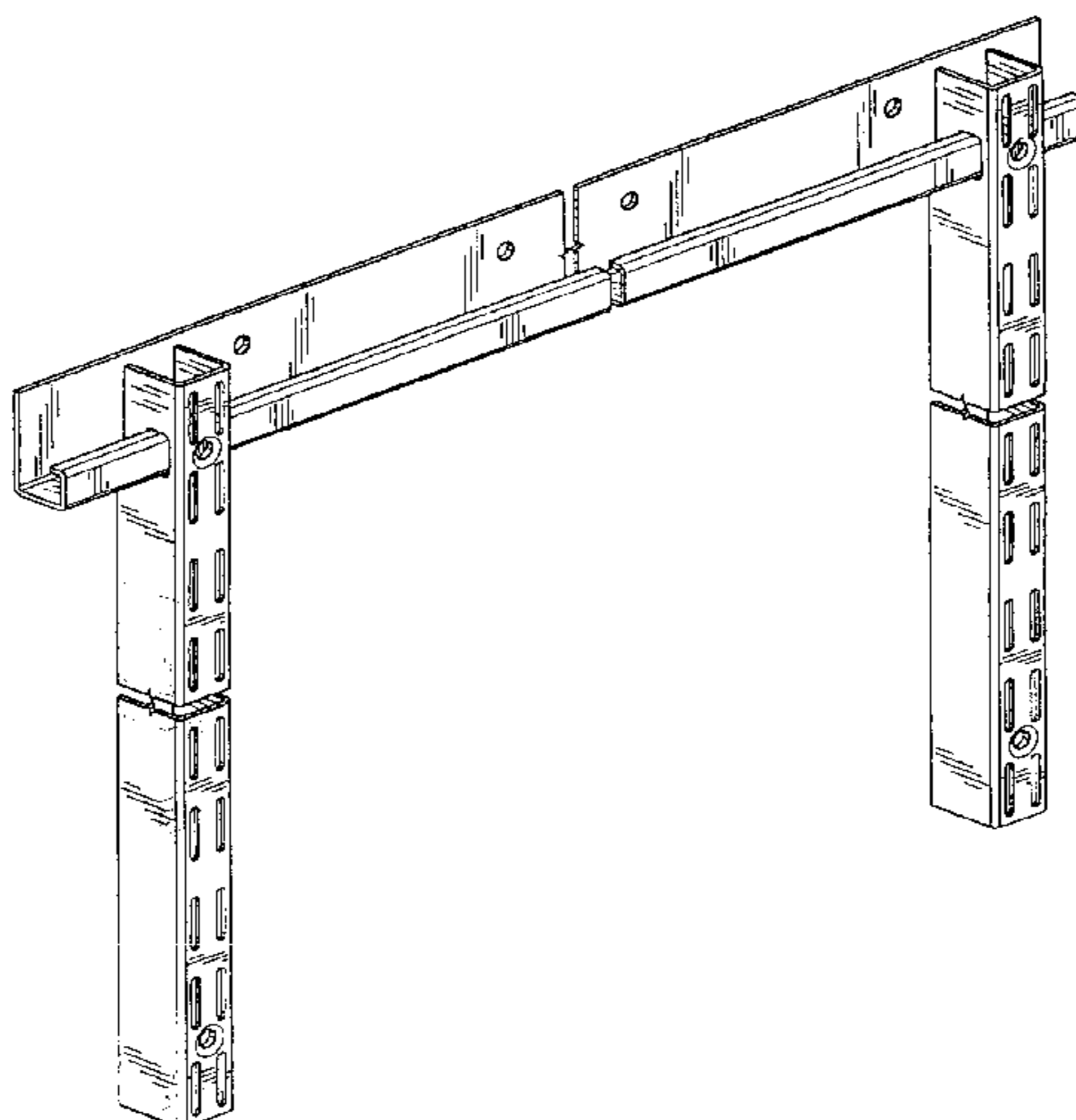
FIG. 1 is a perspective view of the front and the top of the support rail assembly;
 FIG. 2 is a perspective view of the back and the bottom thereof;
 FIG. 3 is a first side view thereof;
 FIG. 4 is a front view thereof;
 FIG. 5 is a back view thereof;
 FIG. 6 is a second side view thereof;
 FIG. 7 is a top view thereof;
 FIG. 8 is a bottom view thereof;
 FIG. 9 is a perspective view of the front and the top thereof, showing a shelf support and a shelf in position on the support rail assembly;
 FIG. 10 is a perspective view of horizontal support member;
 FIG. 11 is a perspective view of the back and the bottom thereof;
 FIG. 12 is a first side view thereof;
 FIG. 13 is a front view thereof;
 FIG. 14 is a second side view thereof;
 FIG. 15 is a back view thereof;
 FIG. 16 is a top view thereof; and,
 FIG. 17 is a bottom view thereof.

The broken lines in FIGS. 9 and 10–17 showing of environment are for illustrative purposes only and form no part of the claimed design.

The horizontal support member shown in FIGS. 10–17 is shown detached for clarity of illustration.

The ornamental design for a support rail assembly, as shown and described.

1 Claim, 9 Drawing Sheets



US D490,697 S

Page 2

U.S. PATENT DOCUMENTS			
5,109,992 A *	5/1992	Miller	211/59.1
5,110,080 A	5/1992	Rieman	
5,193,694 A	3/1993	Wave	
5,330,216 A	7/1994	Schnell	
5,407,170 A	4/1995	Slivon et al.	
5,472,167 A *	12/1995	Shillington et al.	248/552
			* cited by examiner
		6,109,461 A	8/2000 Kluge et al.
		6,119,878 A	9/2000 Zen
		6,131,864 A	10/2000 Schumann
		6,152,312 A	11/2000 Nava et al.
		6,283,311 B1	9/2001 Lee

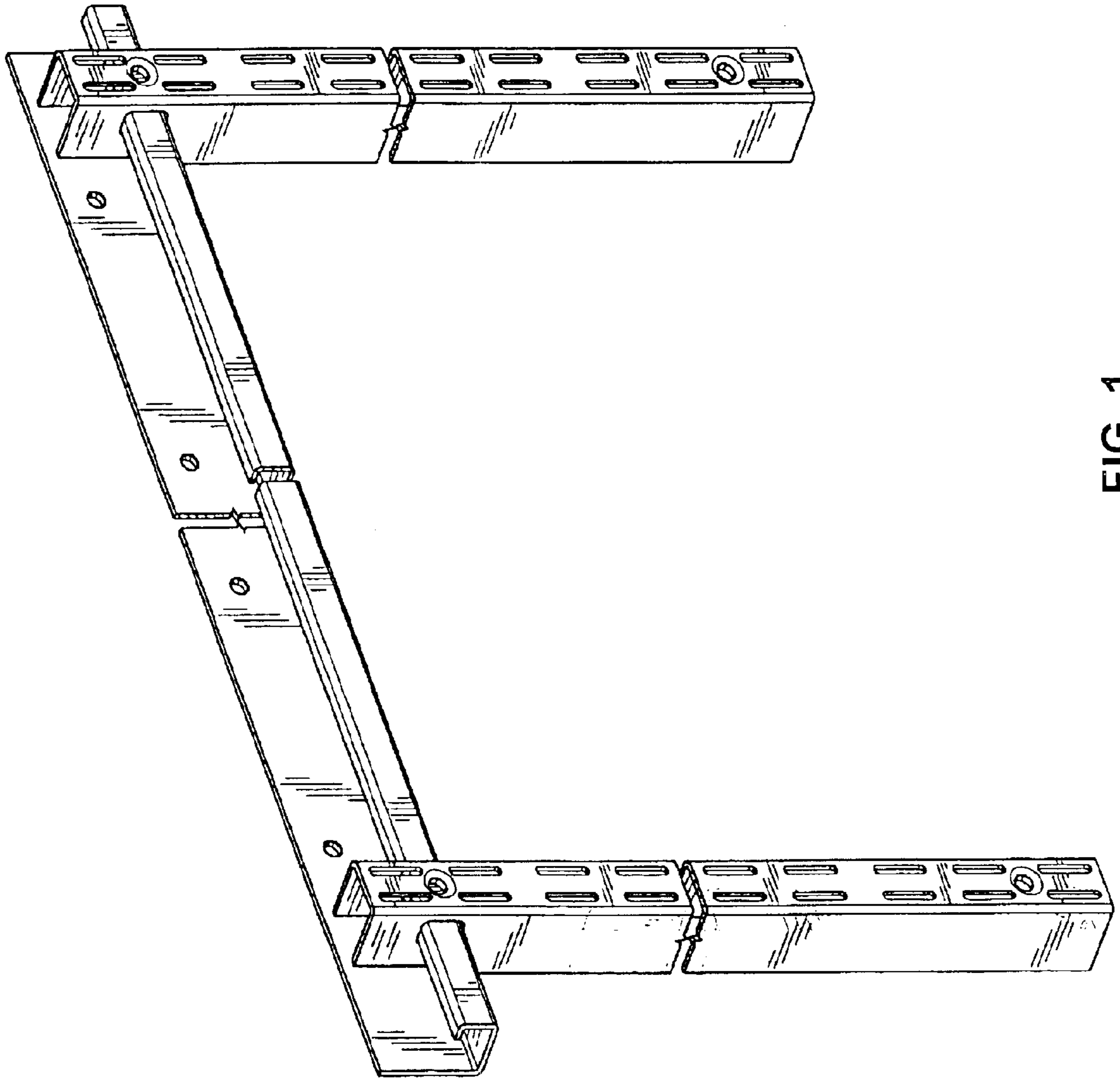


FIG. 1

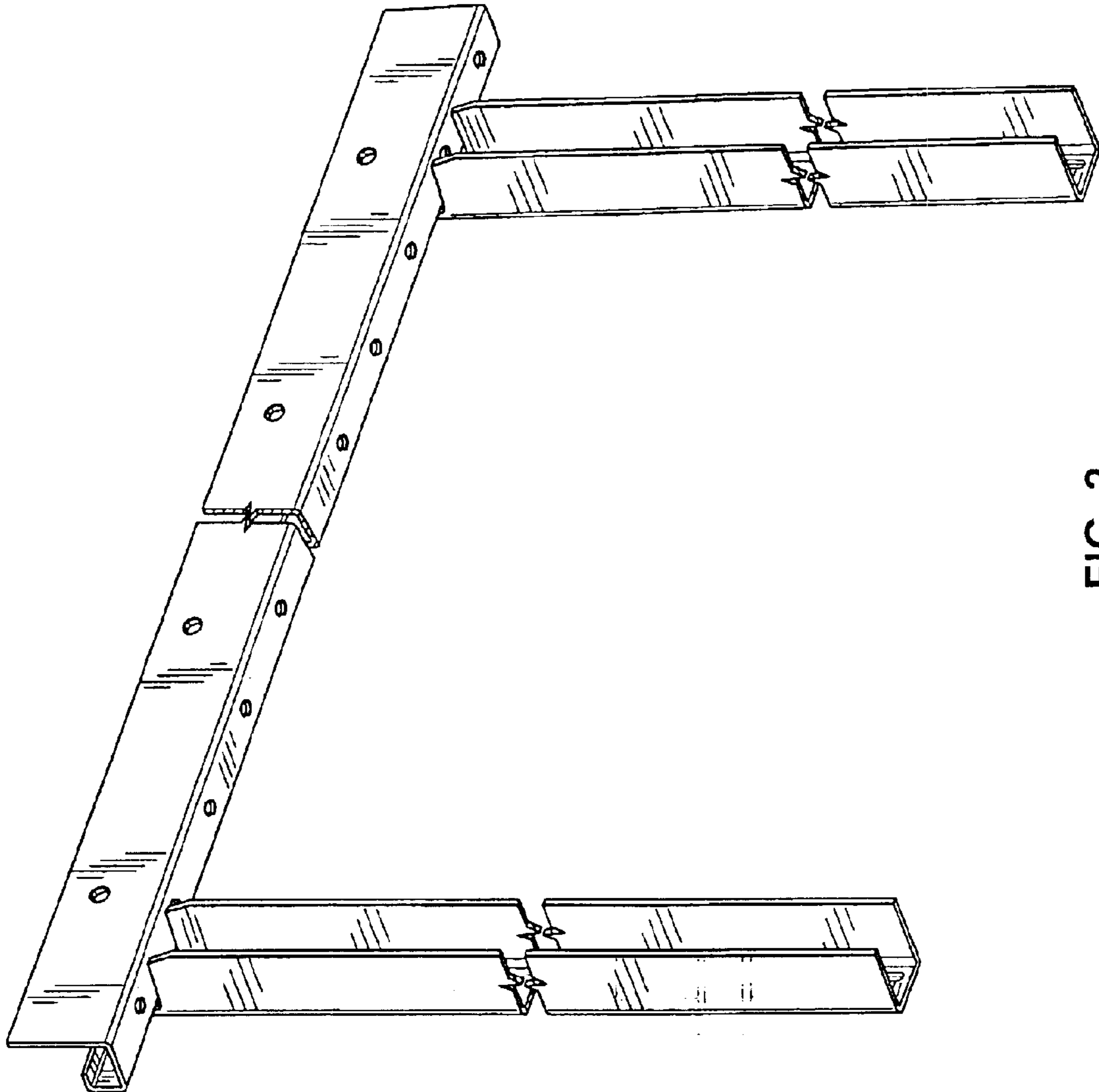


FIG. 2

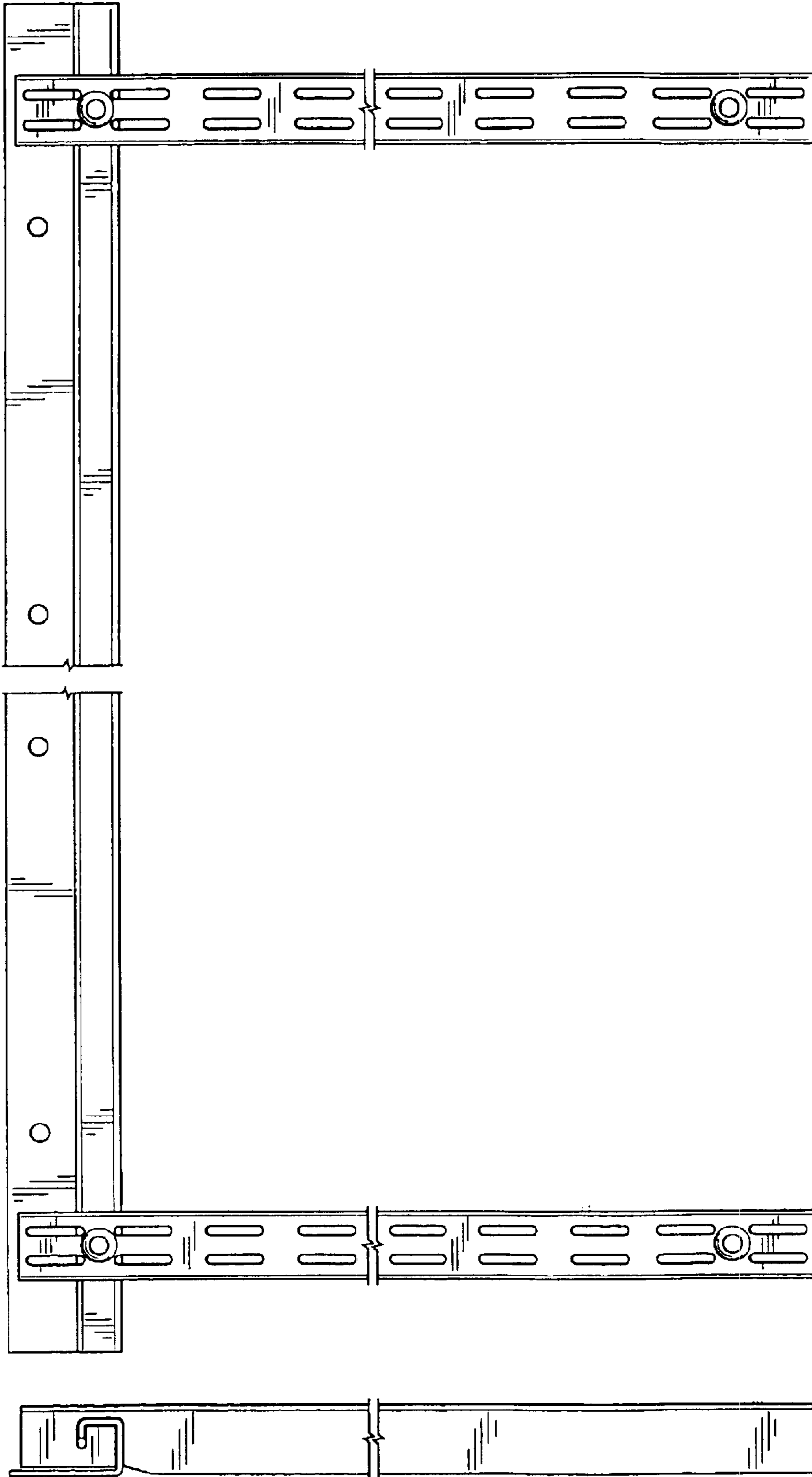


FIG. 4

FIG. 3

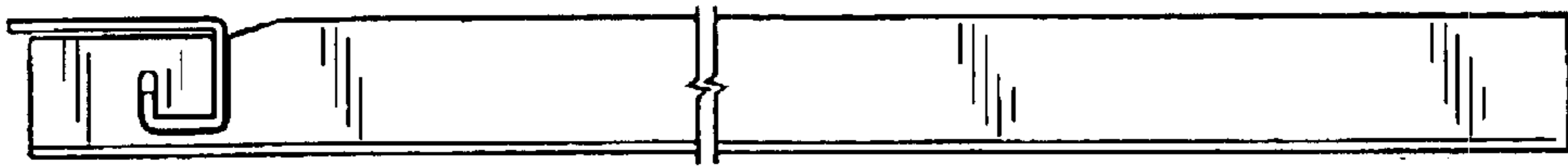


FIG. 6

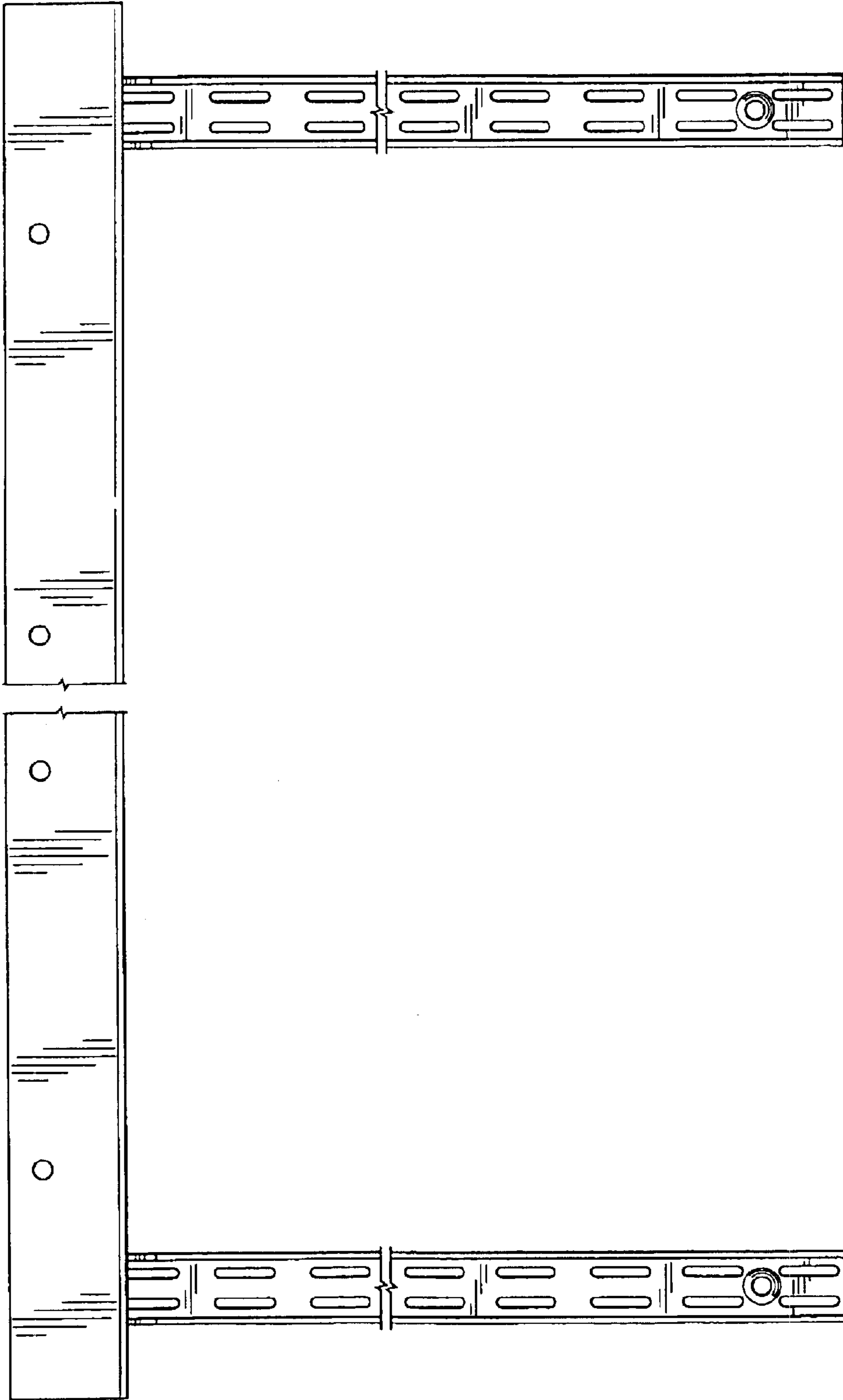


FIG. 5

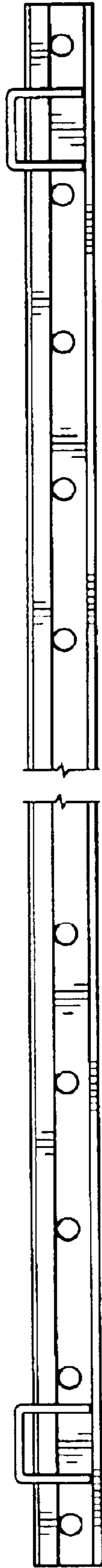


FIG. 7

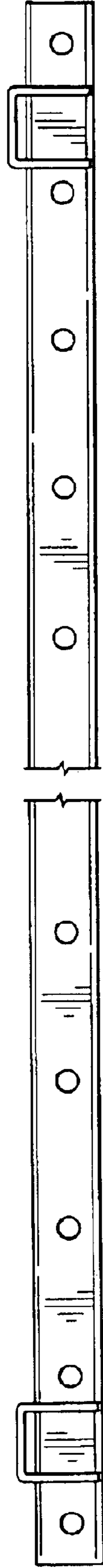


FIG. 8

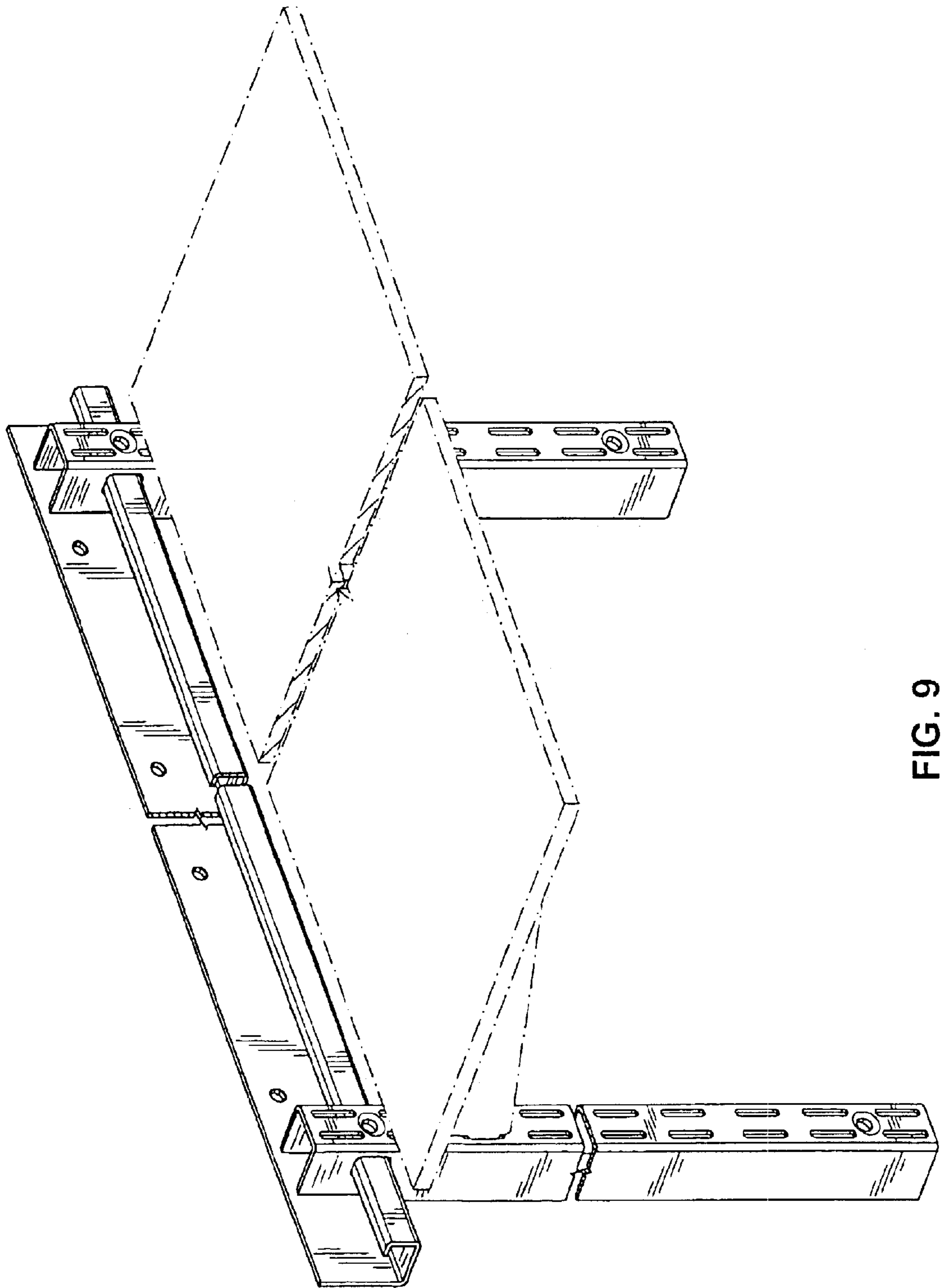
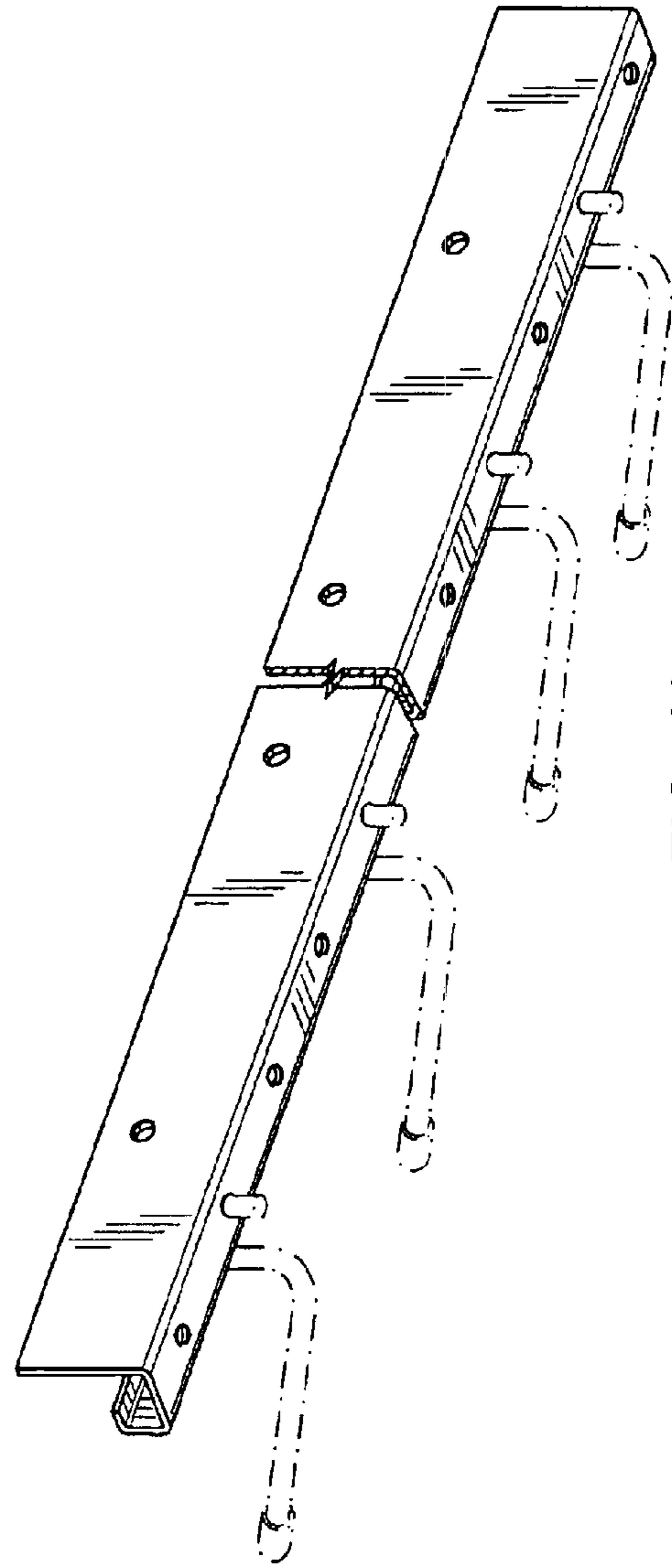
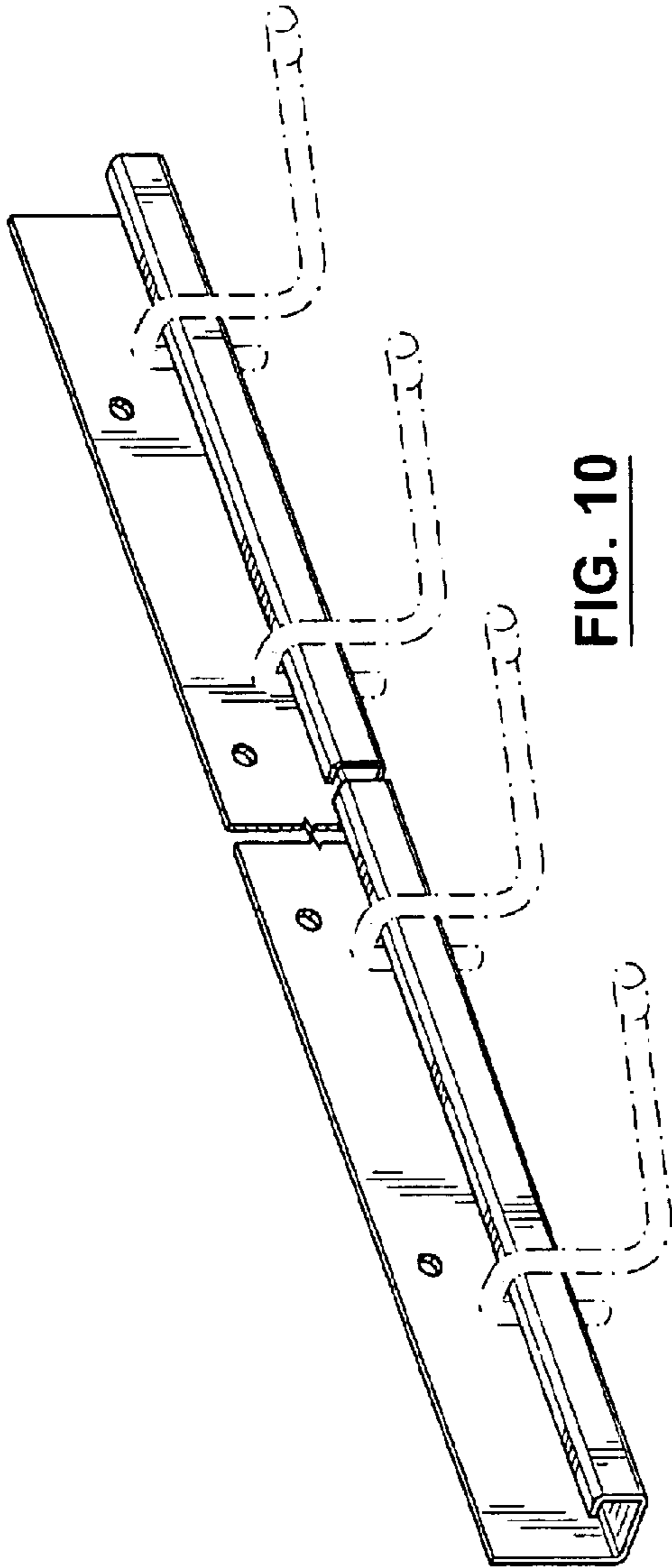


FIG. 9



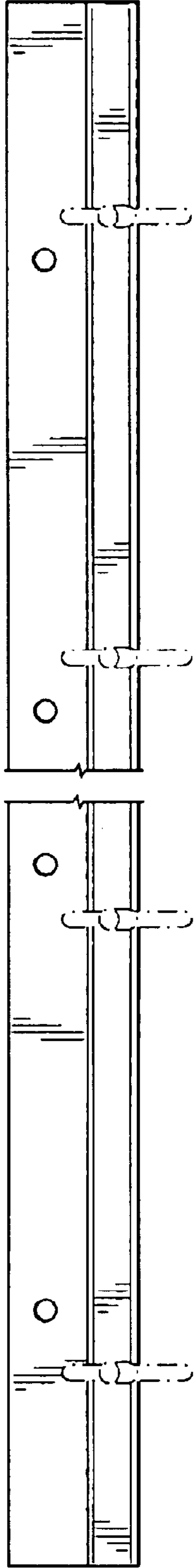


FIG. 12

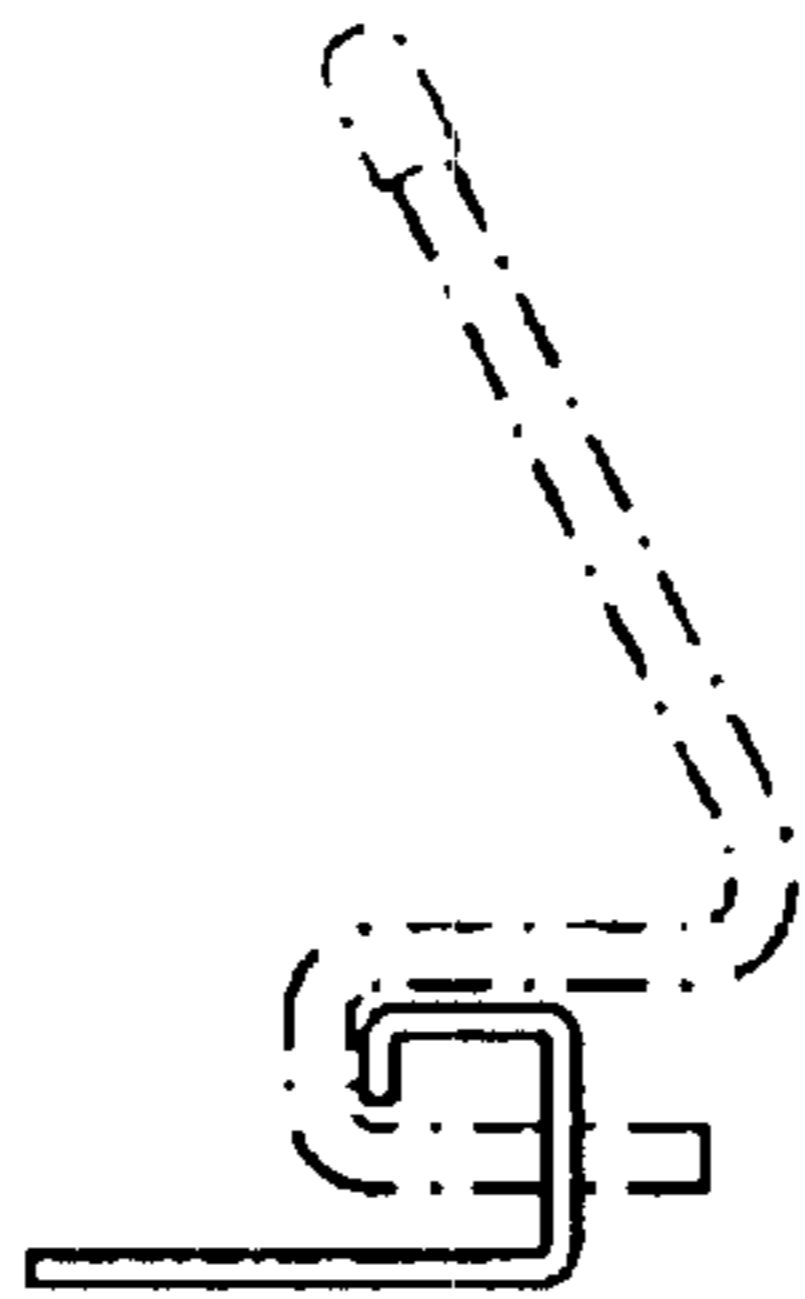


FIG. 14

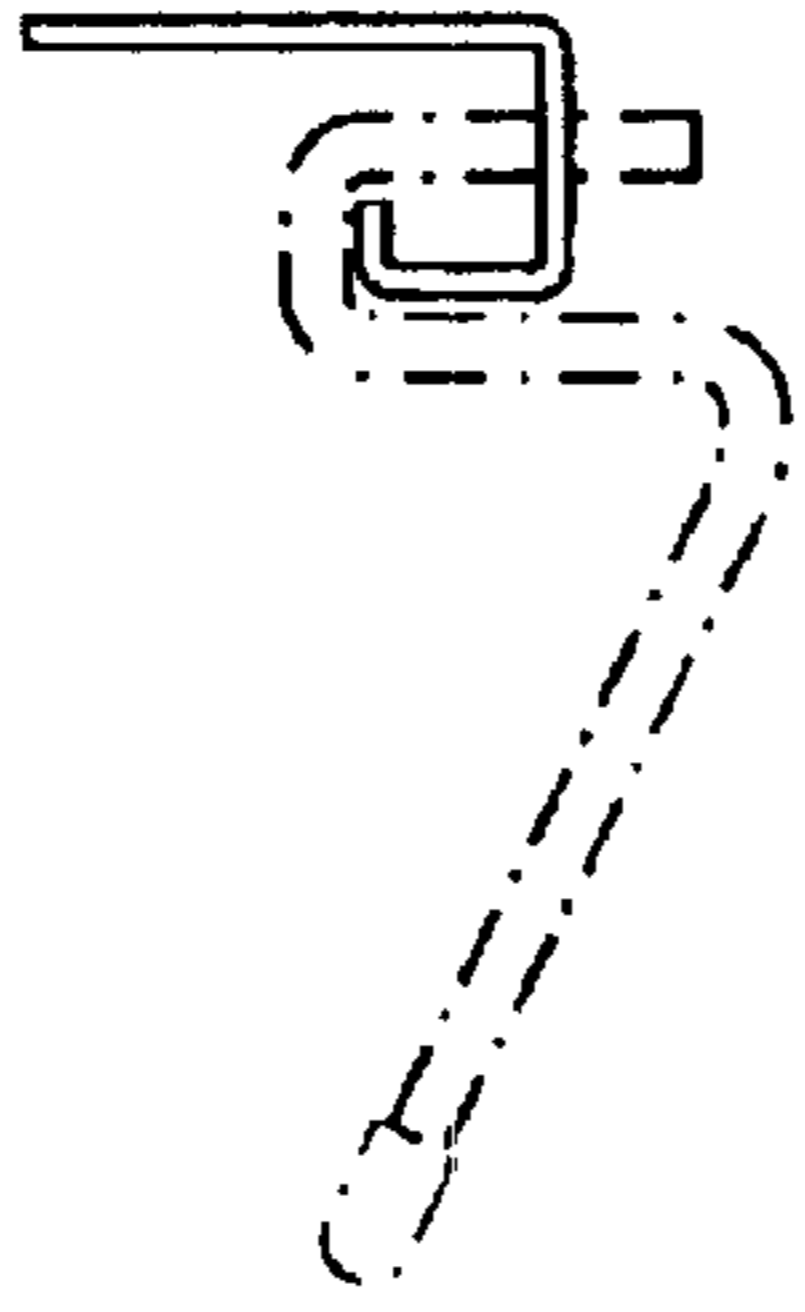


FIG. 15

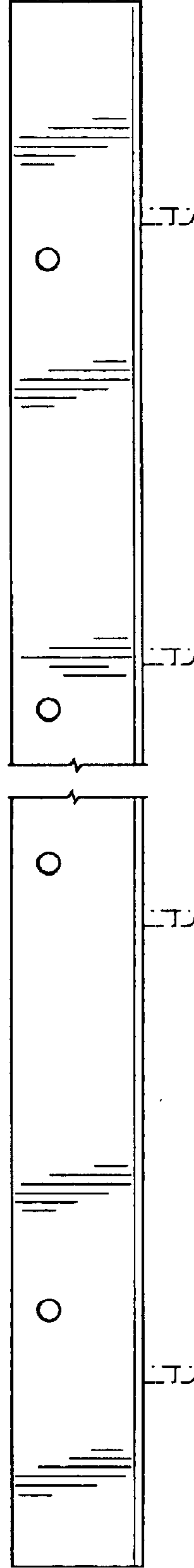


FIG. 13

FIG. 15

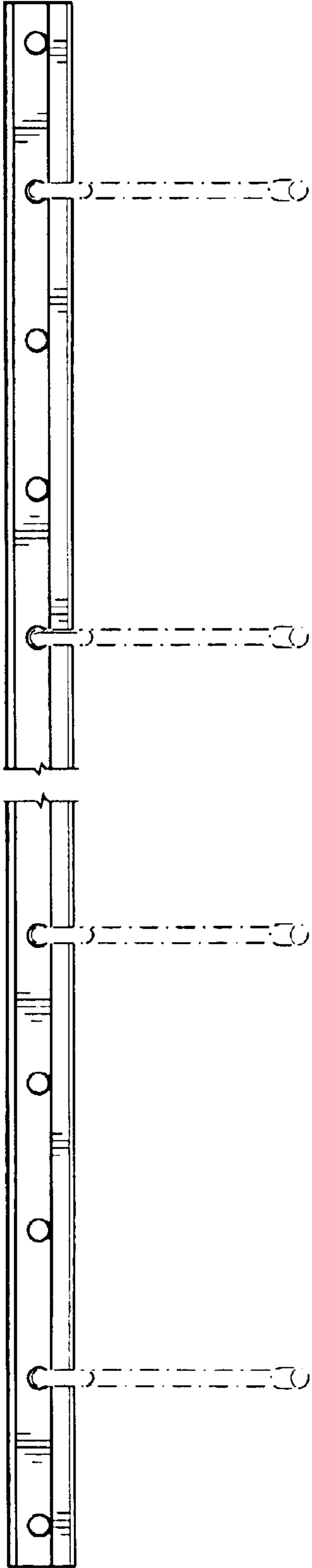


FIG. 16

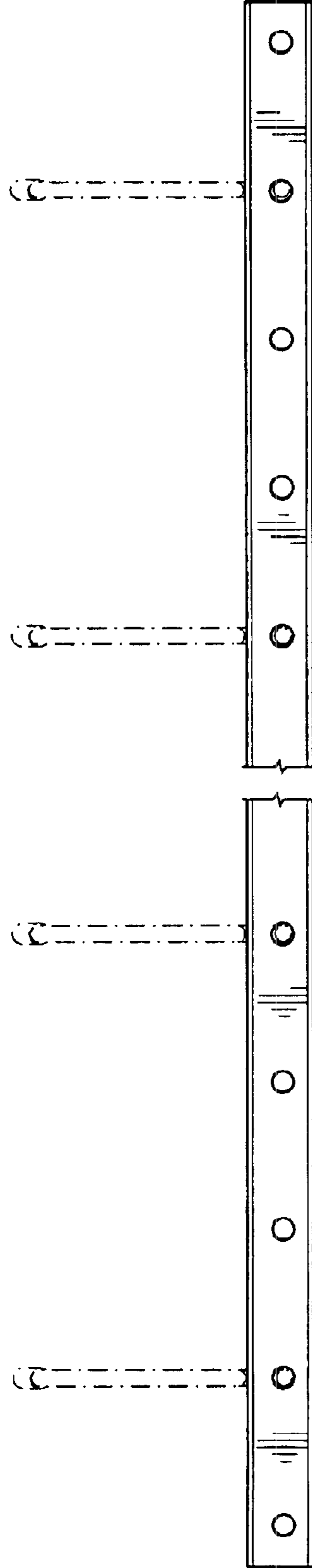


FIG. 17