



US00D490695S

(12) **United States Design Patent**
DeBiasio, Jr.

(10) **Patent No.: US D490,695 S**

(45) **Date of Patent: ** Jun. 1, 2004**

(54) **BACK-PLATE**

6,423,168 B1 7/2002 Valiulis
2001/0013567 A1 8/2001 Valiulus

(76) Inventor: **Lorenzo DeBiasio, Jr.**, 9 Enfield St.,
Johnston, RI (US) 02919

OTHER PUBLICATIONS

(**) Term: **14 Years**

LDB Manufacturing Inc. Display Hooks and Hardware,
metal back plate model No. MC1, p. 7 2002.*
LDB Manufacturing, Inc., Display Hooks & Hardware;
2002; catalog.
Southern Imperial, Inc., "The Next Generation of Display
Hooks. . .," Jan. 2002.

(21) Appl. No.: **29/182,558**

(22) Filed: **May 28, 2003**

(51) **LOC (7) Cl. 08-05**

(52) **U.S. Cl. D8/373**

(58) **Field of Search D8/363, 367, 370;**
248/220.21, 220.43, 220.41

* cited by examiner

Primary Examiner—Holly Baynham
(74) *Attorney, Agent, or Firm*—Salter & Michaelson

(56) **References Cited**

(57) **CLAIM**

U.S. PATENT DOCUMENTS

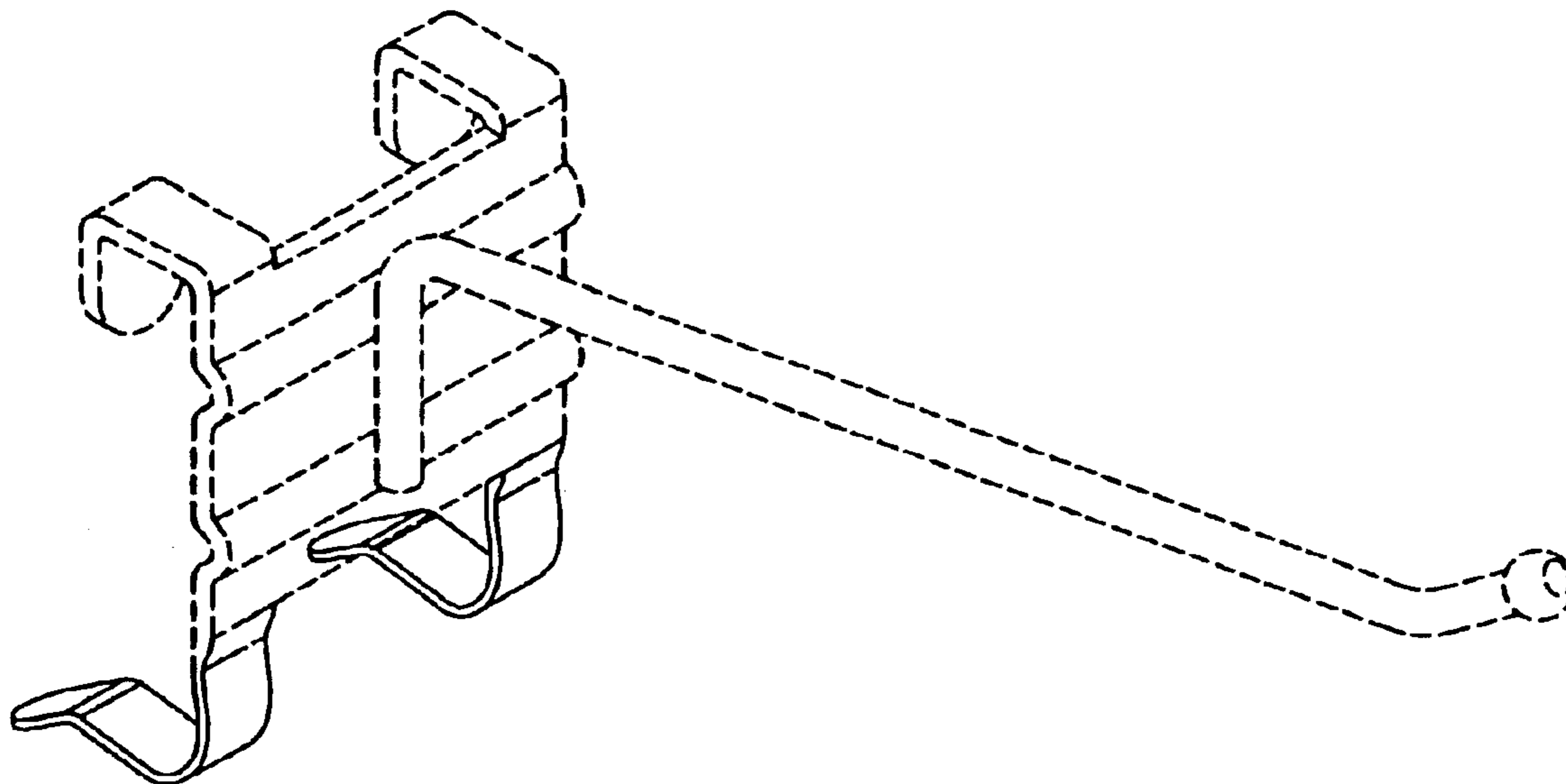
The ornamental design for a back-plate, as shown and
described.

3,483,995 A	*	12/1969	Larson	248/220.41
3,724,792 A	*	4/1973	Thalenfeld	248/220.41
4,113,109 A		9/1978	Donnelli et al.		
D272,414 S		1/1984	Barnes		
4,452,360 A		6/1984	Barnes		
4,724,967 A		2/1988	Valiulis		
4,783,033 A		11/1988	Valiulis		
4,850,557 A		7/1989	Valiulis		
4,869,376 A		9/1989	Valiulis et al.		
4,976,058 A		12/1990	Valiulis		
5,199,140 A		4/1993	Valiulis et al.		
5,231,779 A		8/1993	Valiulis et al.		
5,325,616 A		7/1994	Valiulis		
5,339,967 A		8/1994	Valiulis		
5,531,417 A		7/1996	Valiulis et al.		
6,029,827 A		2/2000	Valiulis		
6,378,828 B1		4/2002	Valiulis et al.		
6,385,884 B1		5/2002	Valiulis		
6,385,885 B1		5/2002	Valiulis		

DESCRIPTION

FIG. 1 is a front perspective view of a back-plate showing
my new design, with a hook affixed thereto;
FIG. 2 is a rear perspective view thereof, with a hook affixed
thereto;
FIG. 3 is a left side elevational view thereof;
FIG. 4 is a right side elevational view thereof;
FIG. 5 is a front plan view thereof;
FIG. 6 is a rear plan view thereof;
FIG. 7 is a top plan view thereof; and,
FIG. 8 is a bottom plan view thereof.
The portions shown in broken lines are included for illus-
trative purpose only and form no part of the claimed design.

1 Claim, 3 Drawing Sheets



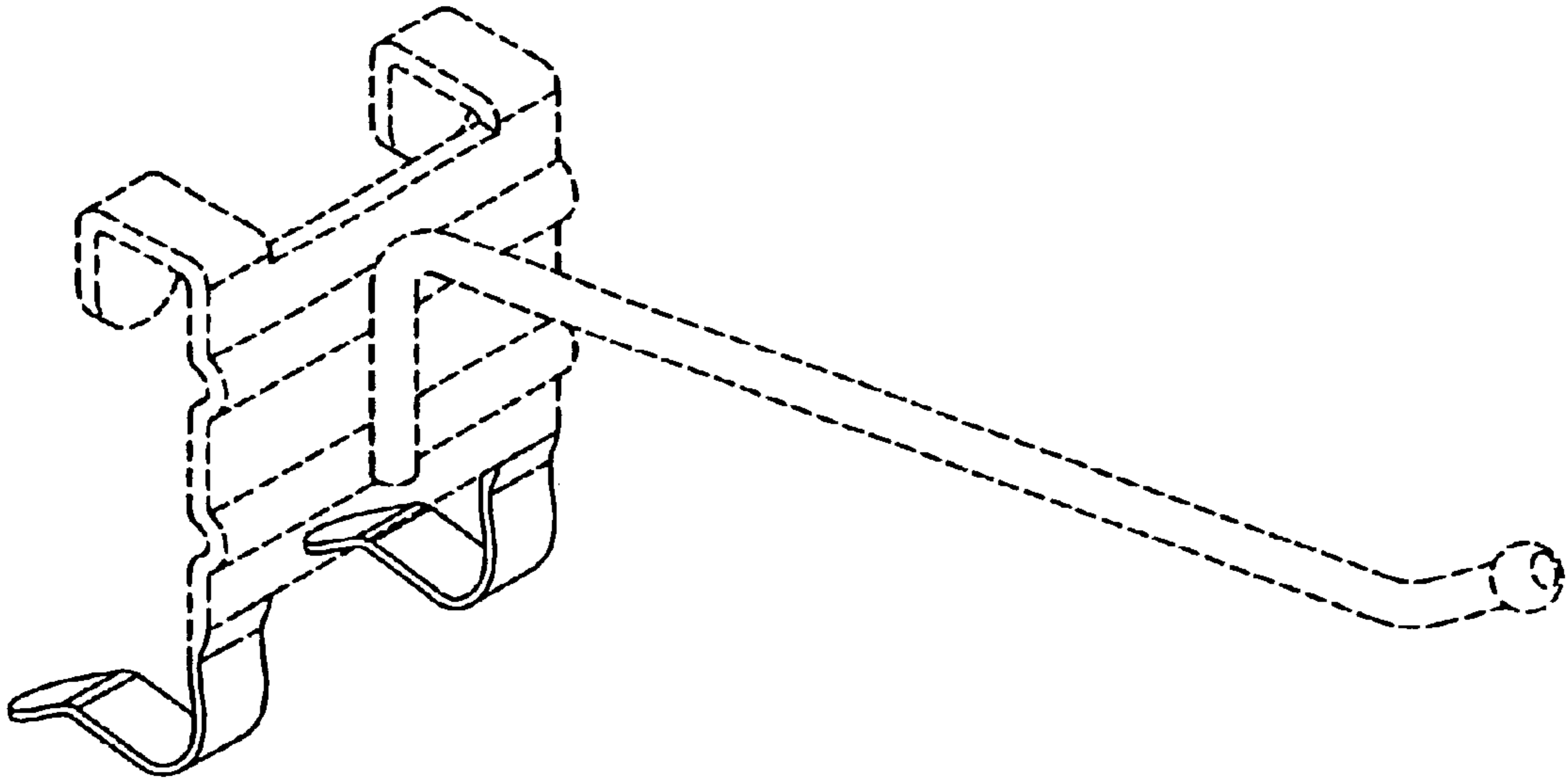


FIG. 1

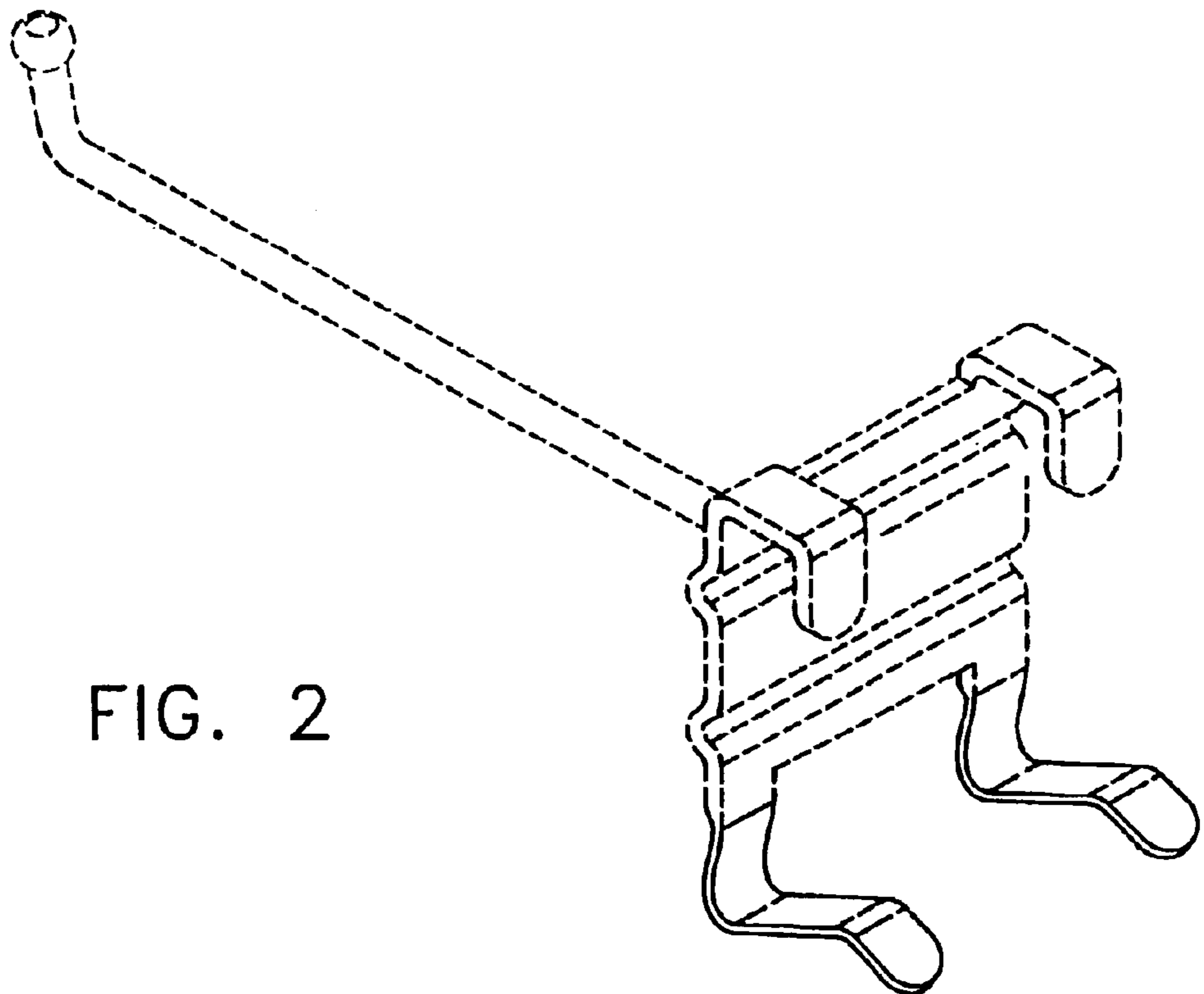


FIG. 2

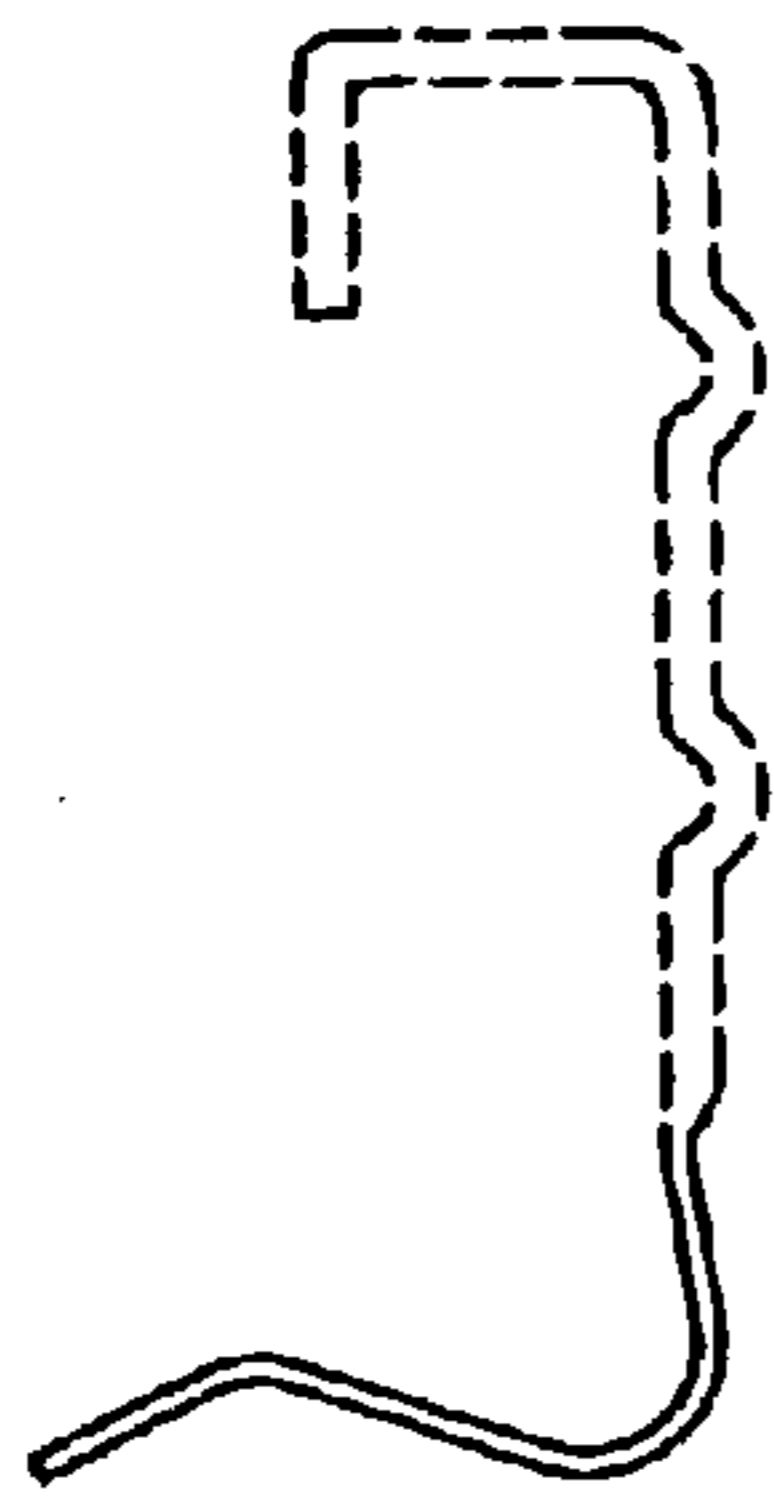


FIG. 3

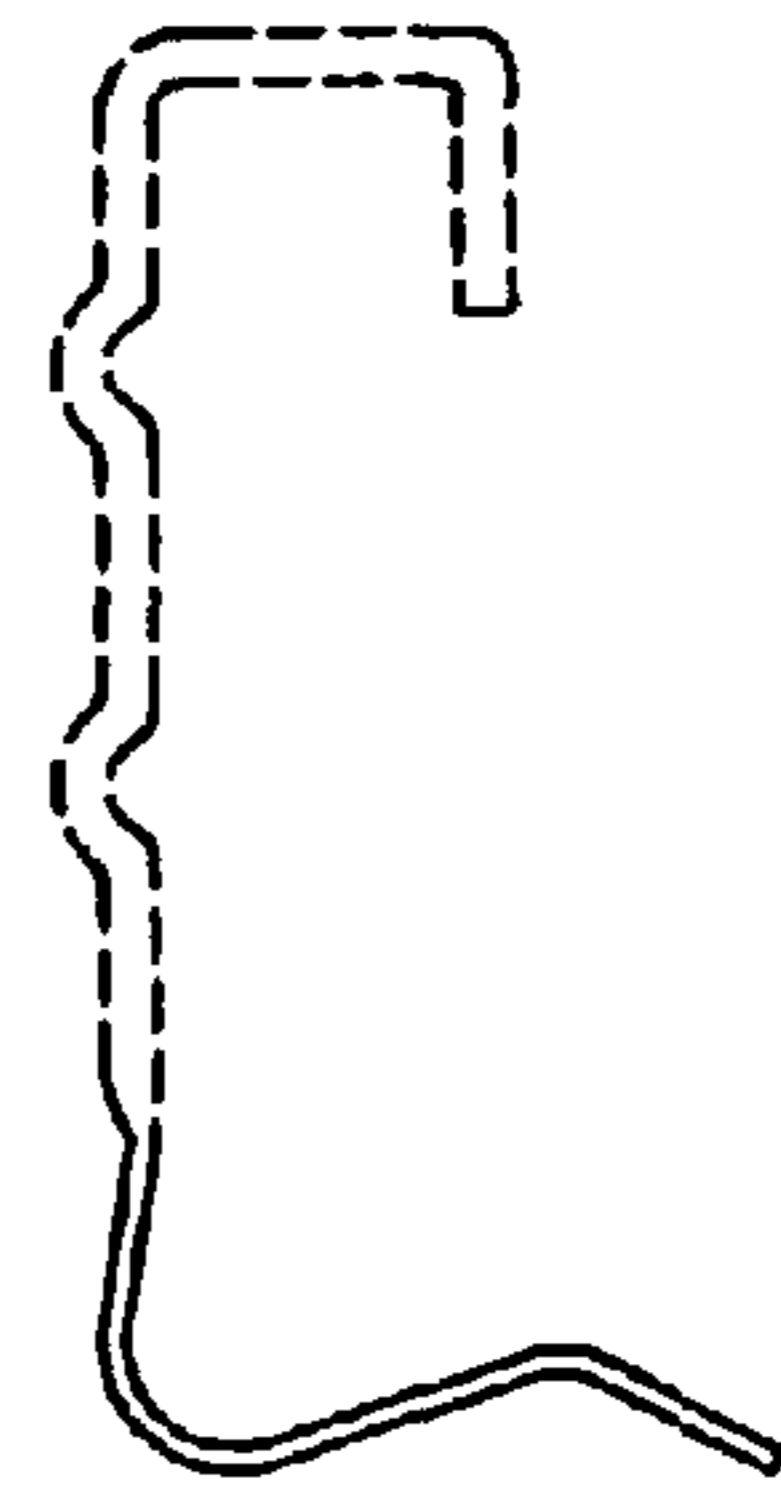


FIG. 4

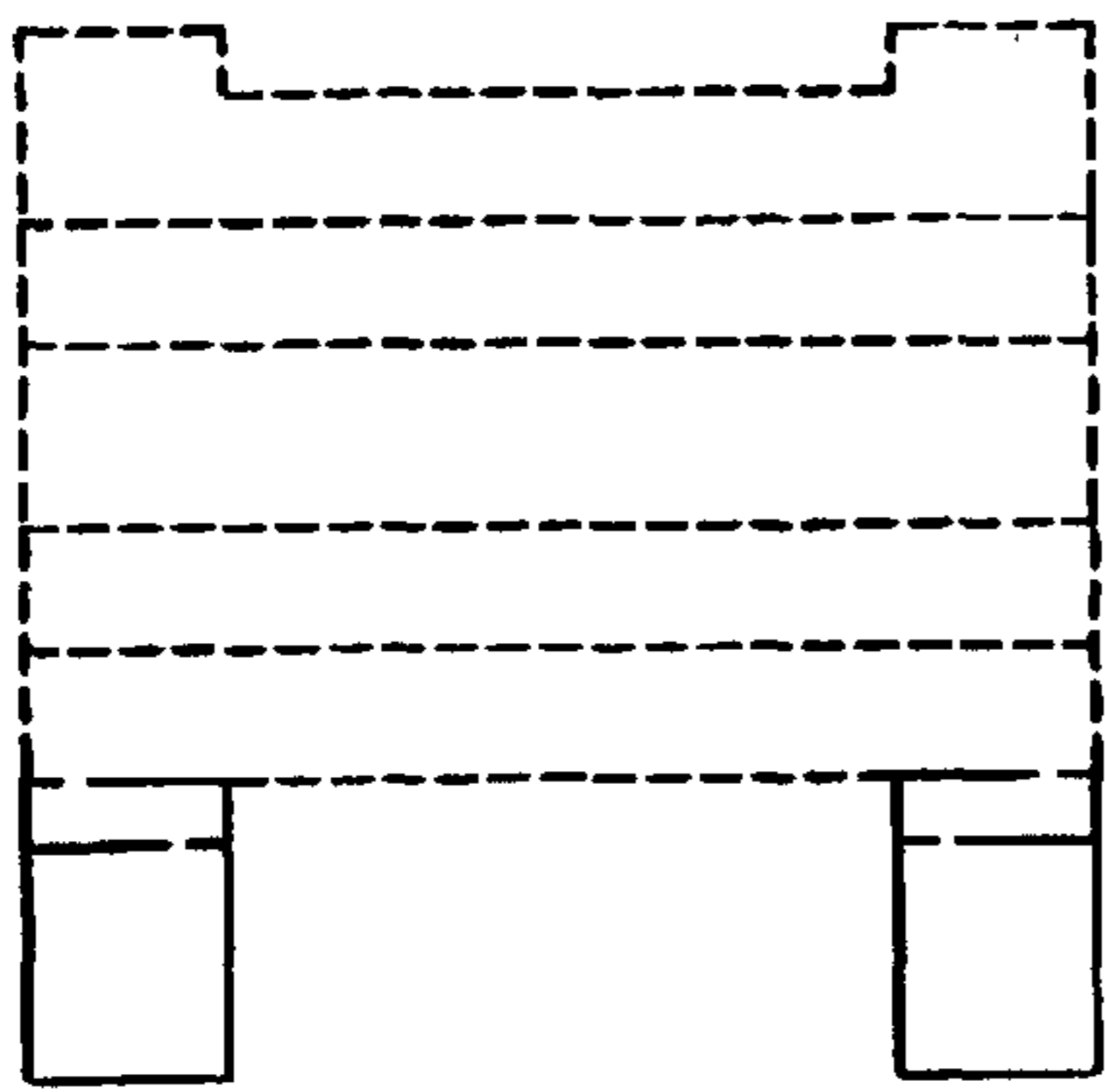


FIG. 5

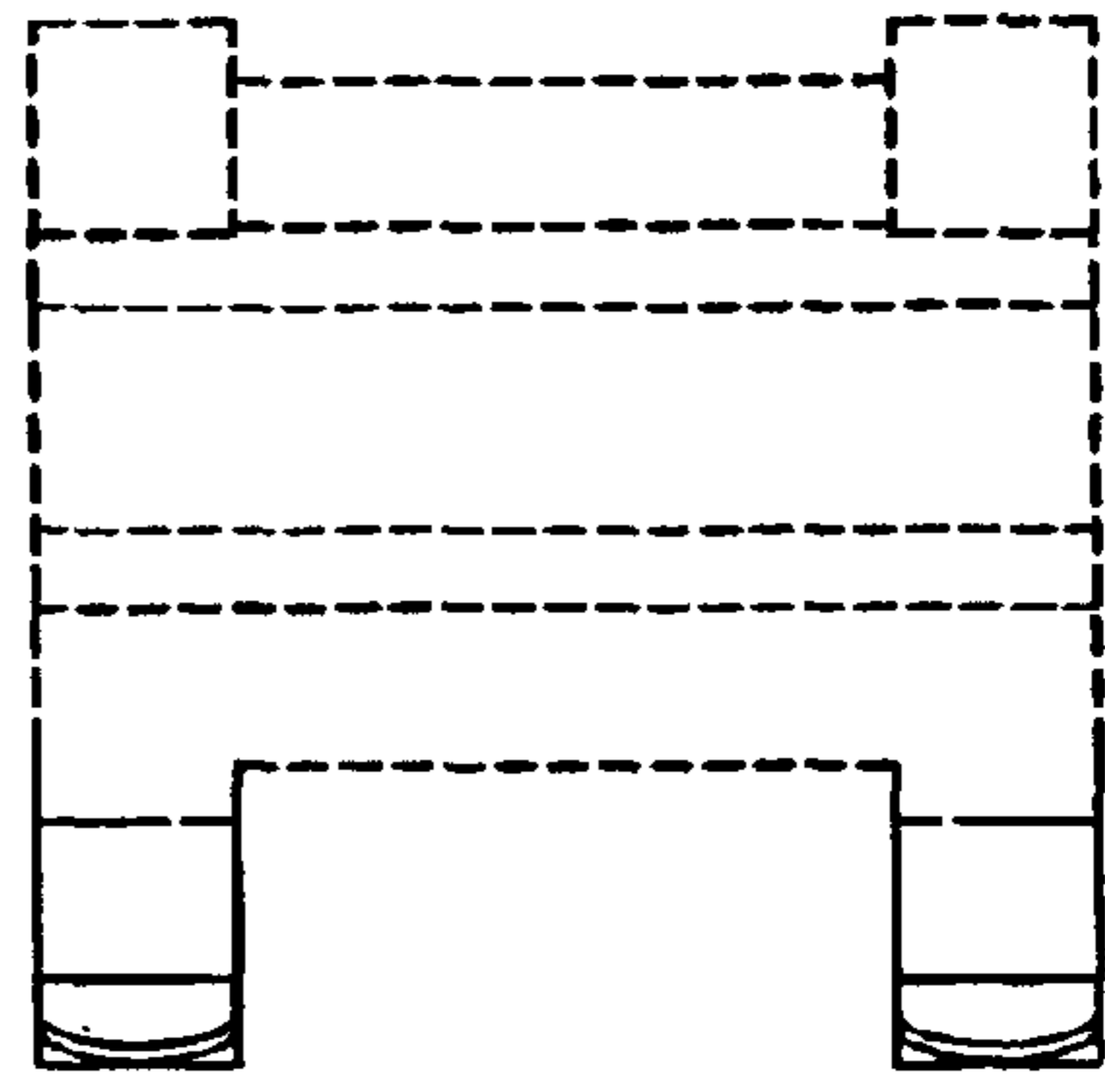


FIG. 6

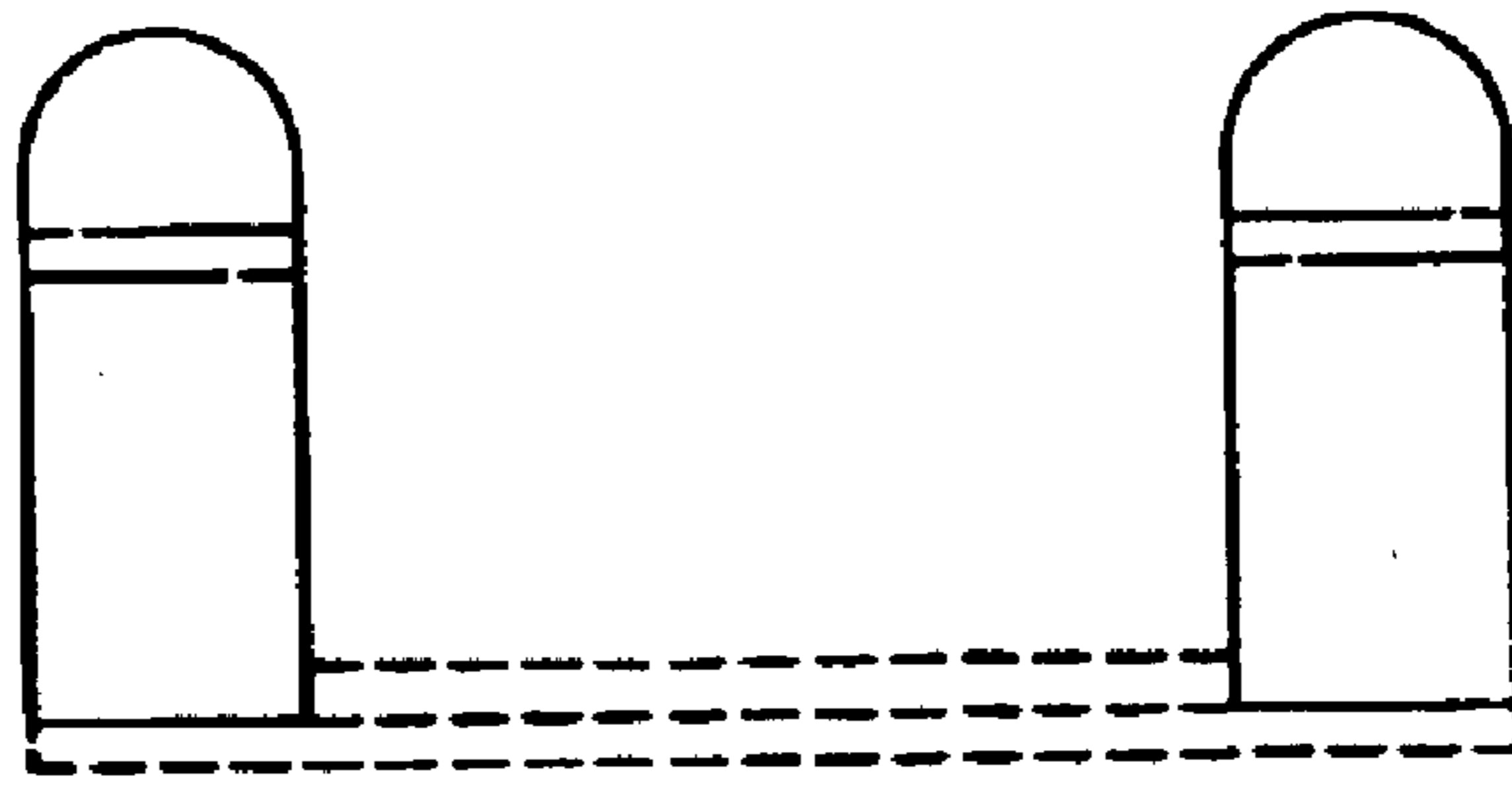


FIG. 7

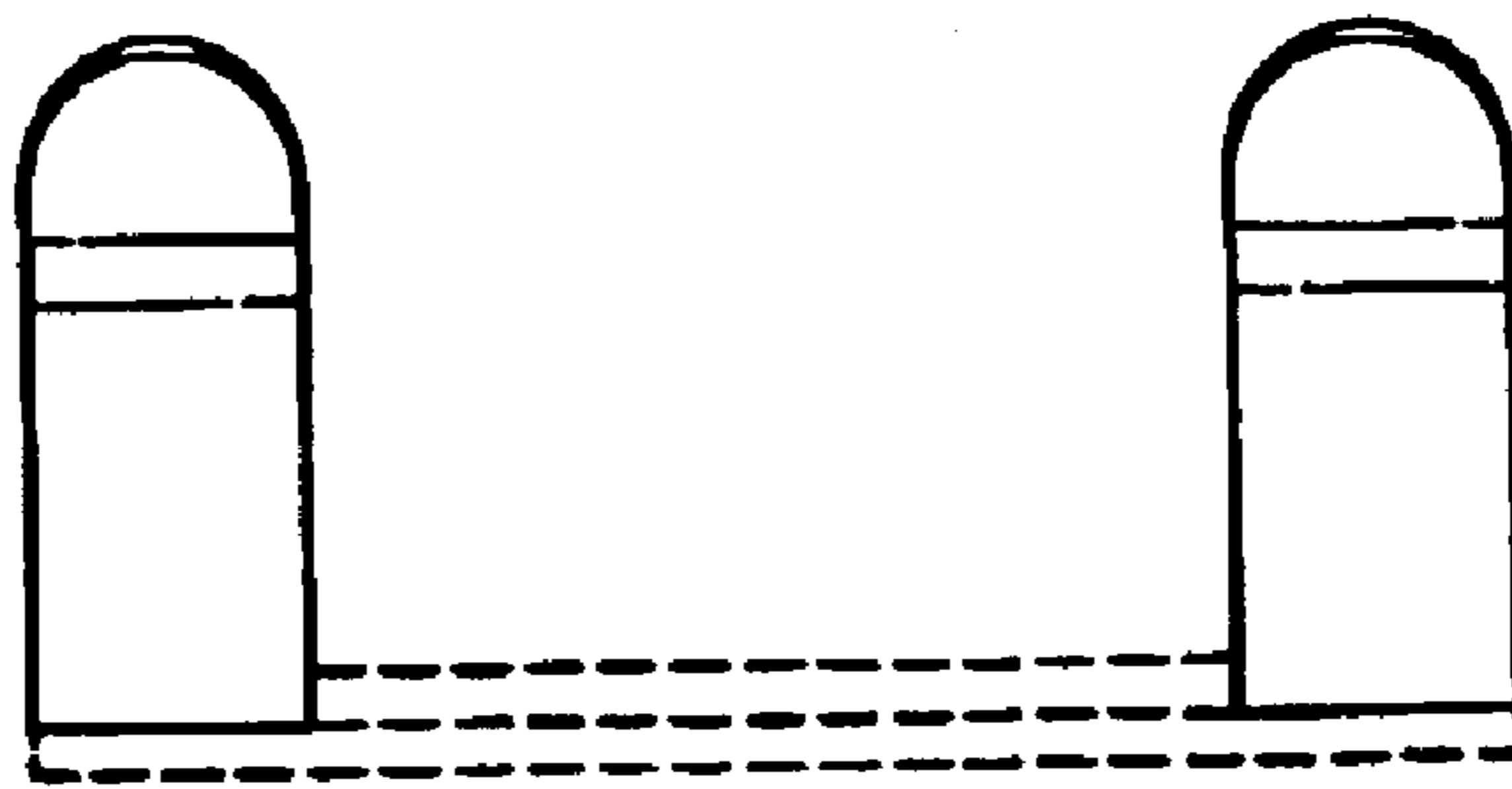


FIG. 8