



US00D490691S

(12) **United States Design Patent**  
**Buss et al.**

(10) **Patent No.:** **US D490,691 S**  
(45) **Date of Patent:** **\*\* Jun. 1, 2004**

(54) **DEVICE FOR STORING A HELICALLY-COILED HOSE**

6,570,092 B2 \* 5/2003 Quertelet ..... 174/68.3

**OTHER PUBLICATIONS**

(75) Inventors: **Melvin H. Buss**, Burlington, VT (US);  
**Christopher W. Chance**, Burlington, VT (US)

“Self-Coiling Hose Basket”, *Autosport*, Spring 2003, p. 47.

\* cited by examiner

(73) Assignee: **America’s Gardening Resource, Inc.**,  
Burlington, VT (US)

*Primary Examiner*—Doris V. Coles

*Assistant Examiner*—Elizabeth Albert

(\*\*) Term: **14 Years**

(74) *Attorney, Agent, or Firm*—Downs Rachlin Martin  
PLLC

(21) Appl. No.: **29/177,684**

(57) **CLAIM**

(22) Filed: **Mar. 13, 2003**

We claim the ornamental design for a device for storing a  
helically-coiled hose, as shown and described.

(51) **LOC (7) Cl.** ..... **08-05**

**DESCRIPTION**

(52) **U.S. Cl.** ..... **D8/356**

(58) **Field of Search** ..... D3/304, 306; D8/356,  
D8/358, 359, 360.1; 137/355.16; 211/181.1,  
106; 248/75, 89, 153, 175, 302; D6/462;  
D7/704; 206/202

FIG. 1 is a perspective view of the device of the present  
invention;

FIG. 2 is a front view of the device shown in FIG. 1  
illustrating the device with a helically-coiled hose stored  
therein;

FIG. 3 is a rear view of the device shown in FIG. 1;

FIG. 4 is a top view of the device shown in FIG. 1;

FIG. 5 is a bottom view of the device shown in FIG. 1; and,

FIG. 6 is a right side view of the device shown in FIG. 1

illustrating the device with a helically-coiled hose stored  
therein, the left side view being a mirror image of the right  
side view.

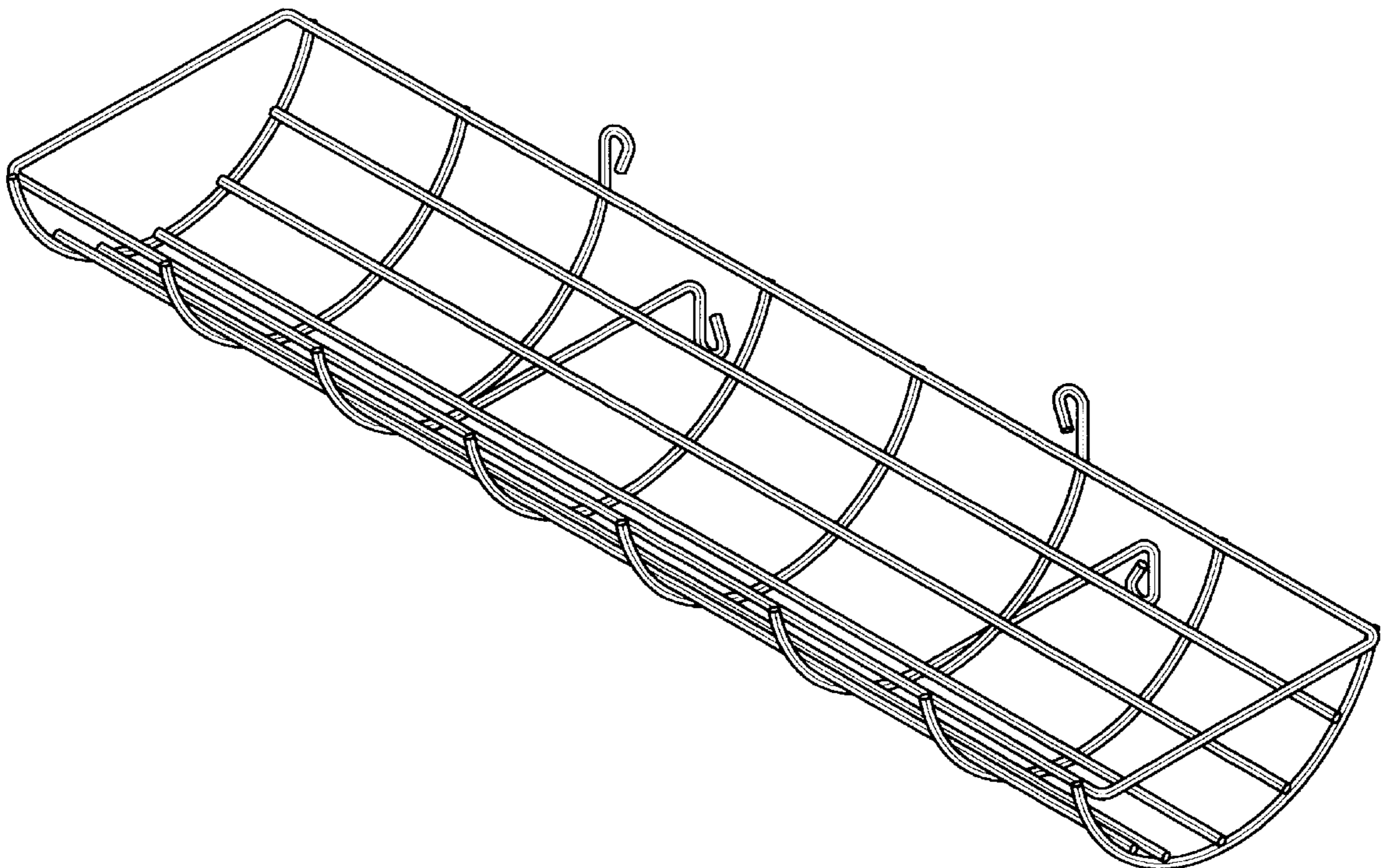
The broken lines showing environment in the drawings are  
for illustrative purposes only and form no part of the claimed  
design.

(56) **References Cited**

**U.S. PATENT DOCUMENTS**

565,553	A	*	8/1896	Messersmith	.....	248/158
1,952,457	A	*	3/1934	Painter	.....	280/28.18
2,881,804	A	*	4/1959	Bub et al.	.....	138/110
D237,674	S	*	11/1975	Seltzer	.....	D6/566
D282,903	S	*	3/1986	Baker	.....	D8/356
D371,228	S	*	6/1996	Monin	.....	D30/121
D396,346	S	*	7/1998	Hoernig	.....	D3/306
6,109,462	A	*	8/2000	Emalfarb et al.	.....	211/119
6,367,373	B1	*	4/2002	Bargman	.....	99/427

**1 Claim, 3 Drawing Sheets**



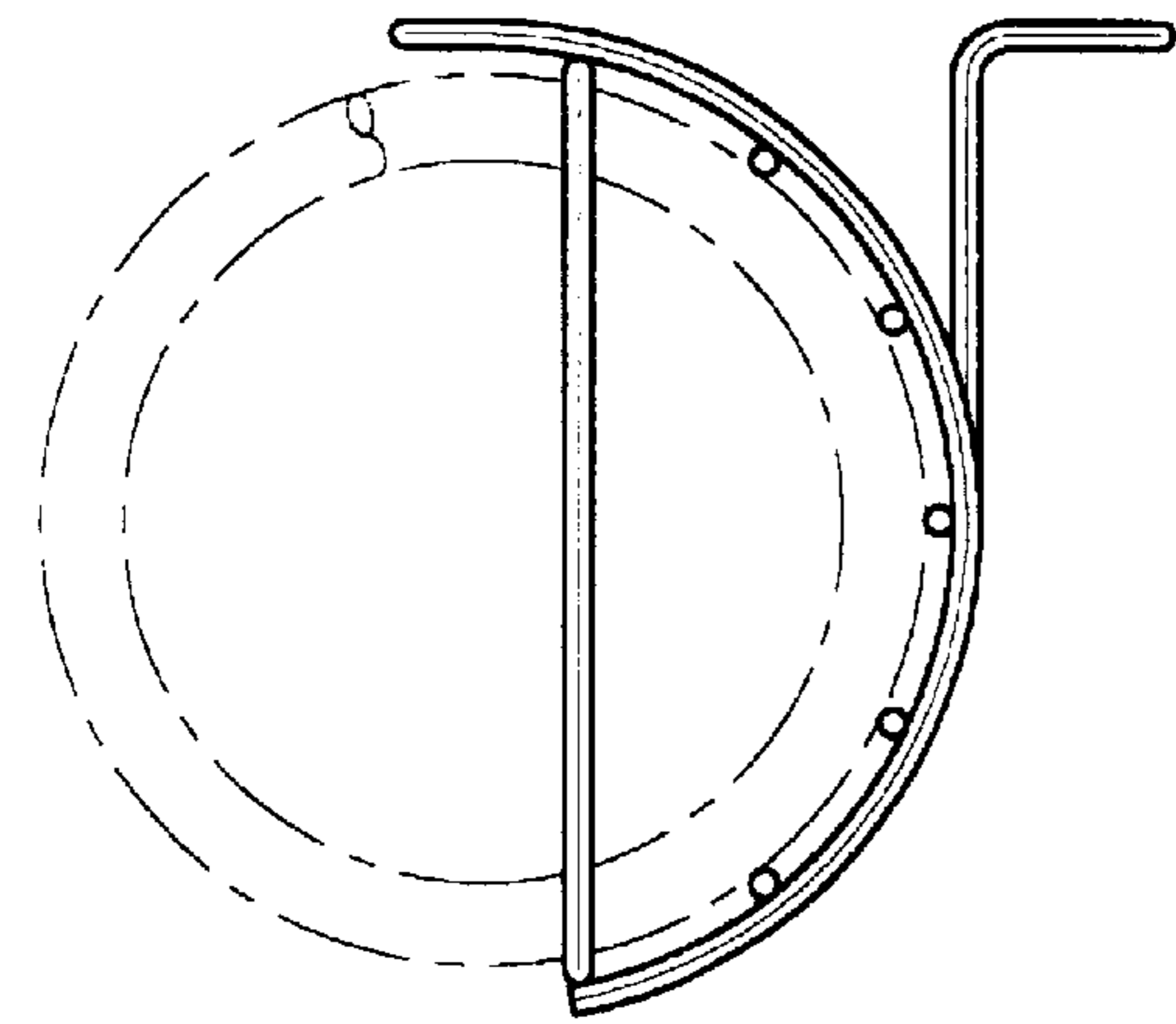


FIG. 6

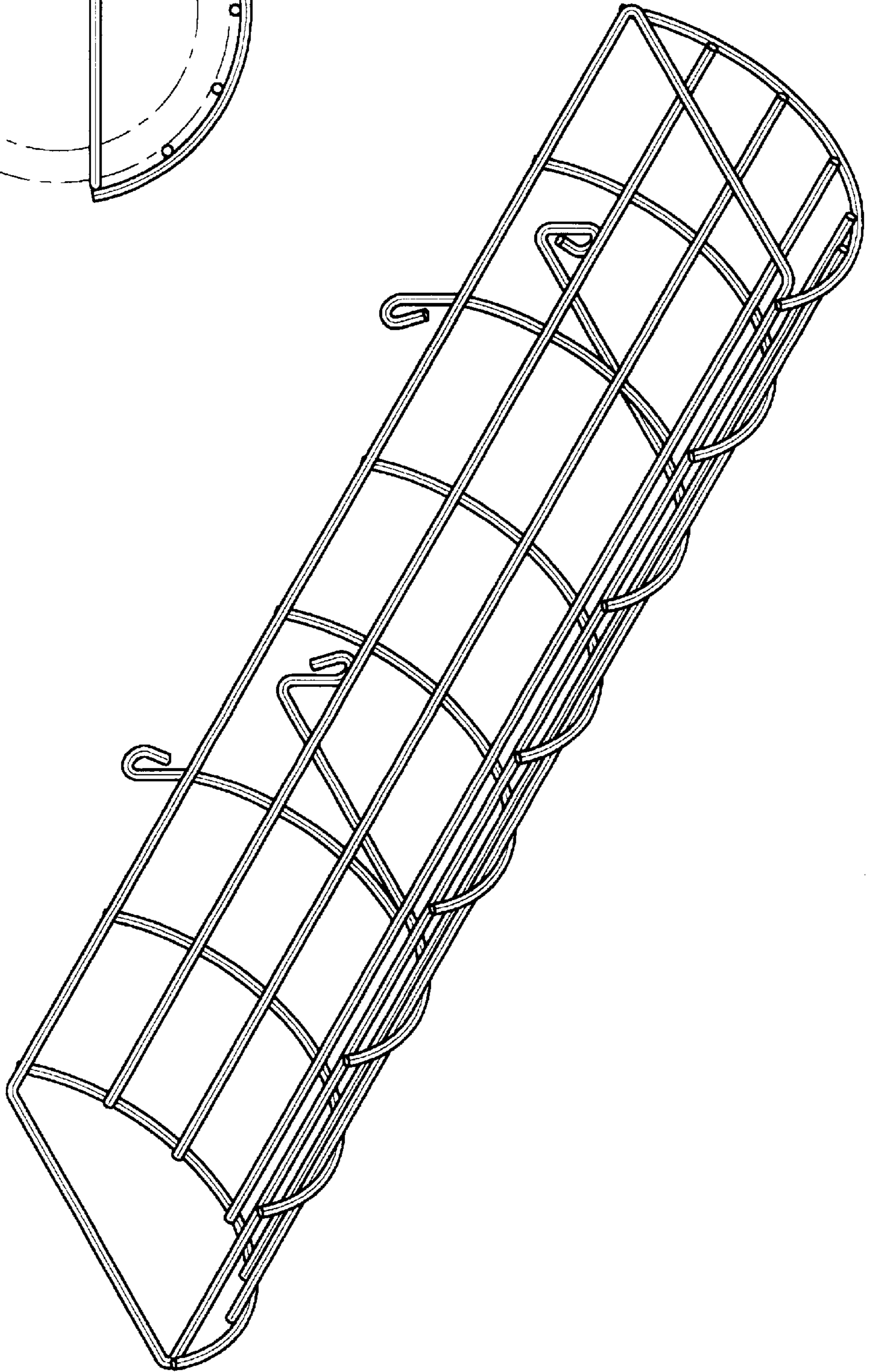


FIG. 1

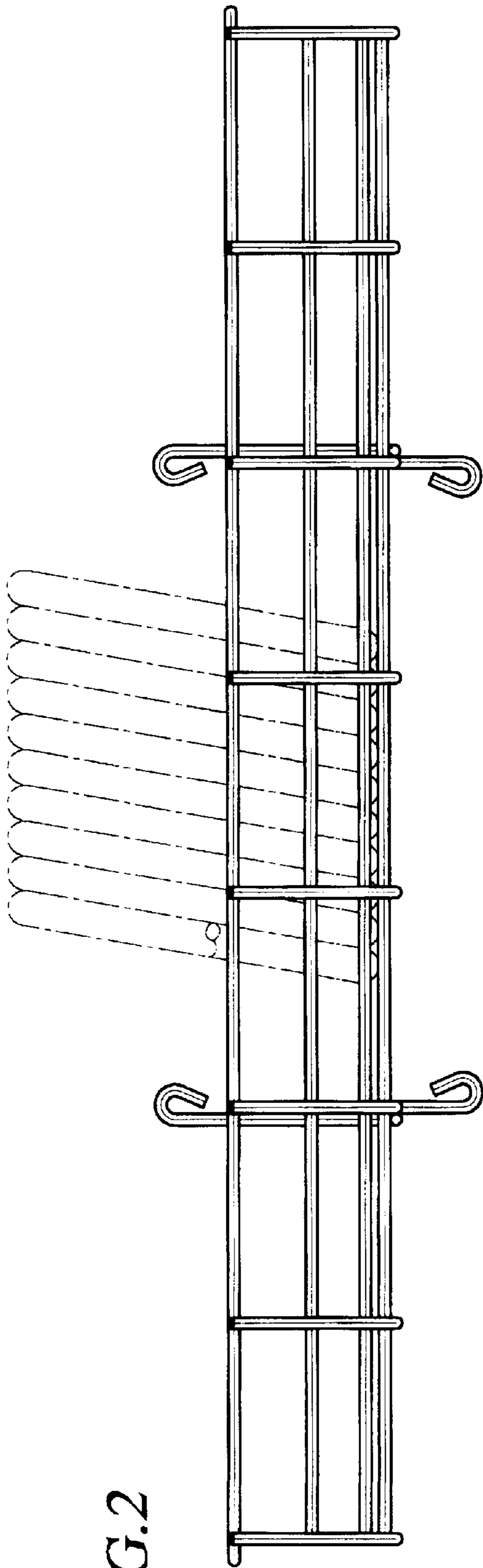


FIG. 2

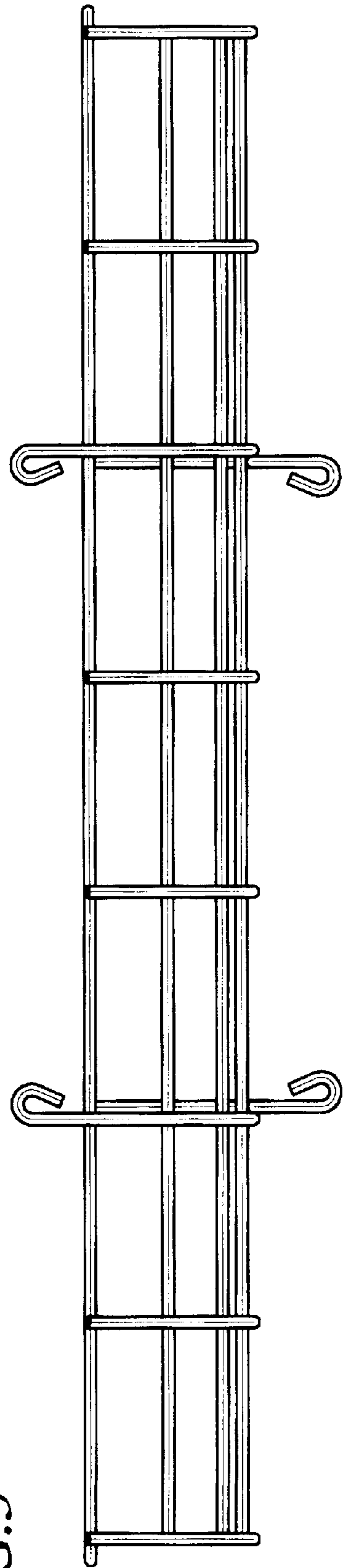


FIG. 3

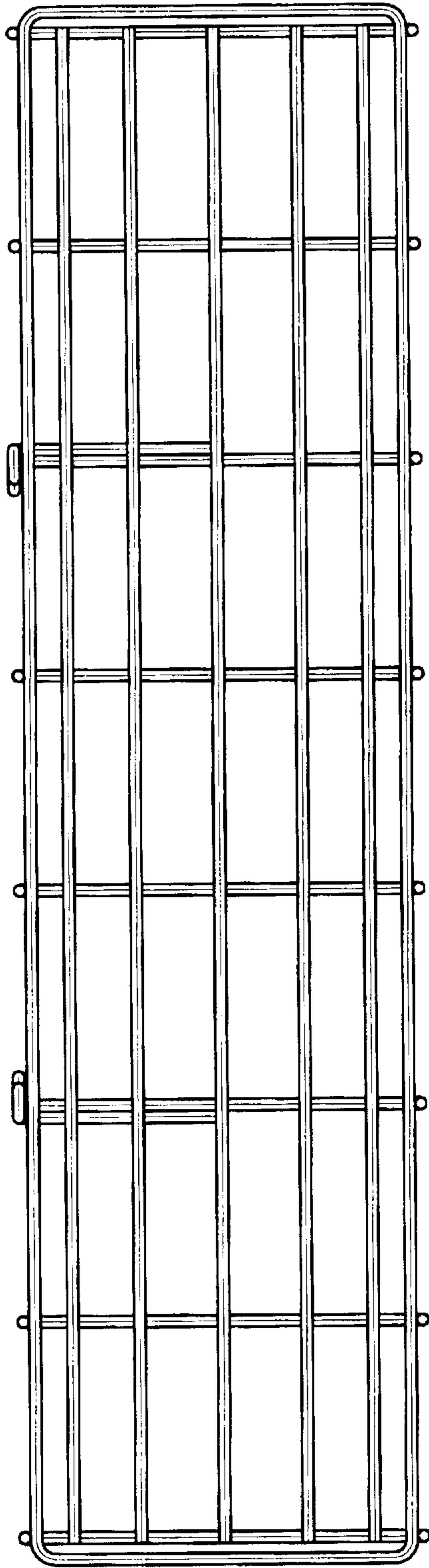


FIG. 4

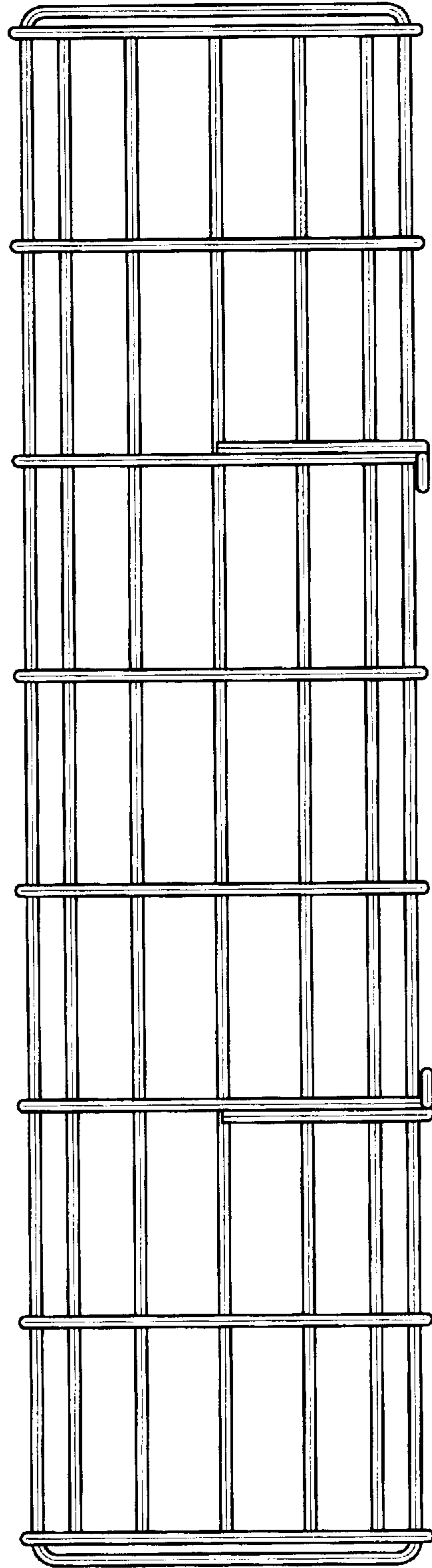


FIG. 5