



US00D490690S

(12) **United States Design Patent**
Brass et al.

(10) **Patent No.:** **US D490,690 S**

(45) **Date of Patent:** **** Jun. 1, 2004**

(54) **PIPE HOLDER**

(76) Inventors: **Robert L. Brass**, 45 Calhoun St.,
Washington, CT (US) 06794; **Steven W. Lewis**, 120 Washington Ave.,
Woodbury, CT (US) 06798

(**) Term: **14 Years**

(21) Appl. No.: **29/179,558**

(22) Filed: **Apr. 10, 2003**

(51) **LOC (7) Cl.** **08-05**

(52) **U.S. Cl.** **D8/354**

(58) **Field of Search** D8/349, 354, 355,
D8/356, 373, 380, 382, 394, 396, 72, 73;
24/16 PB, 115 A, 115 G, 115 R, 129 R,
455; 248/49, 55, 58, 65, 66, 68.1, 74.1,
74.2, 74.3, 74.4, 200

(56) **References Cited**

U.S. PATENT DOCUMENTS

4,244,542 A * 1/1981 Mathews 248/49
D272,125 S * 1/1984 Van Doren D8/356
4,618,114 A * 10/1986 McFarland 248/65

4,783,029 A * 11/1988 Geppert et al. 248/74.1
D306,553 S * 3/1990 Rumpel D8/395
D368,422 S * 4/1996 Jensen D8/354
D417,611 S * 12/1999 van de Lande D8/395
6,612,525 B2 * 9/2003 Bagdi 248/71

* cited by examiner

Primary Examiner—James Gandy
Assistant Examiner—Elizabeth Albert
(74) *Attorney, Agent, or Firm*—Ira S. Dorman

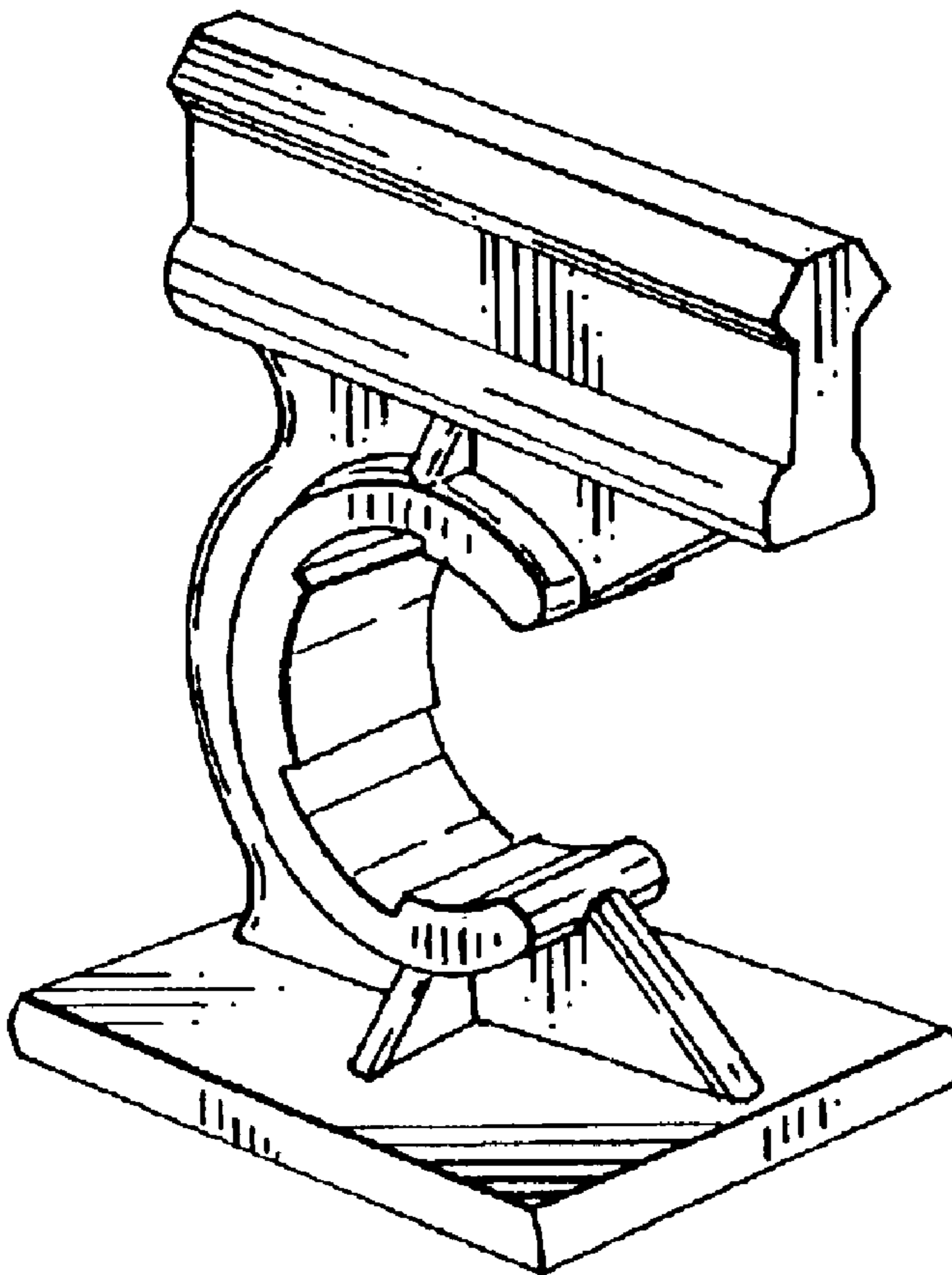
(57) **CLAIM**

The ornamental design for a pipe holder, as shown and described.

DESCRIPTION

FIG. 1 is a perspective view of the pipe holder of the invention;
FIG. 2 is an end elevational view of the pipe holder;
FIG. 3 is an opposite end elevational view of the pipe holder;
FIG. 4 is an elevational side view of the pipe holder, the opposite side elevational view being a mirror image thereof;
FIG. 5 is a top plan view of the pipe holder; and,
FIG. 6 is a bottom view of the pipe holder.

1 Claim, 1 Drawing Sheet



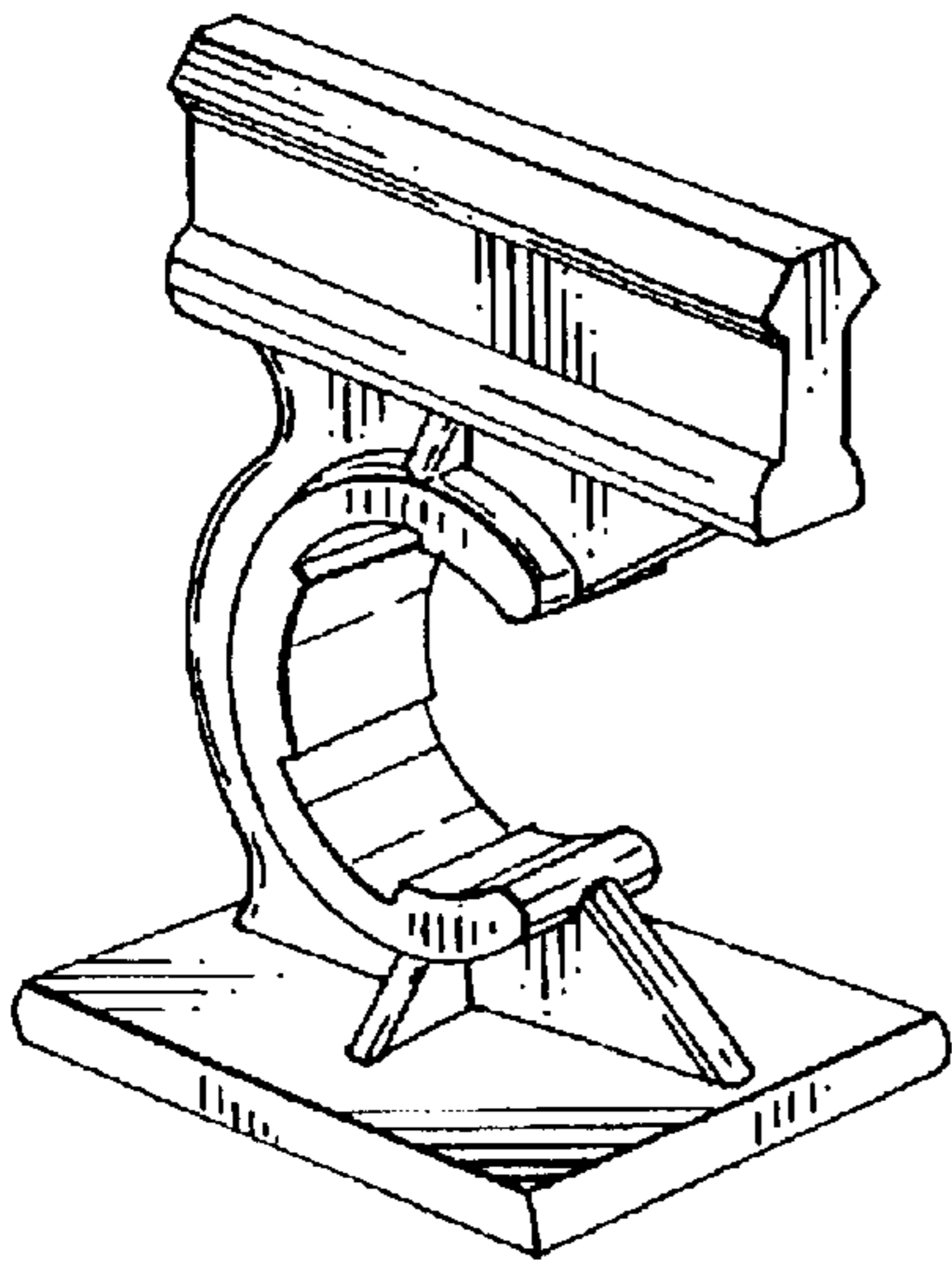


FIG. 1

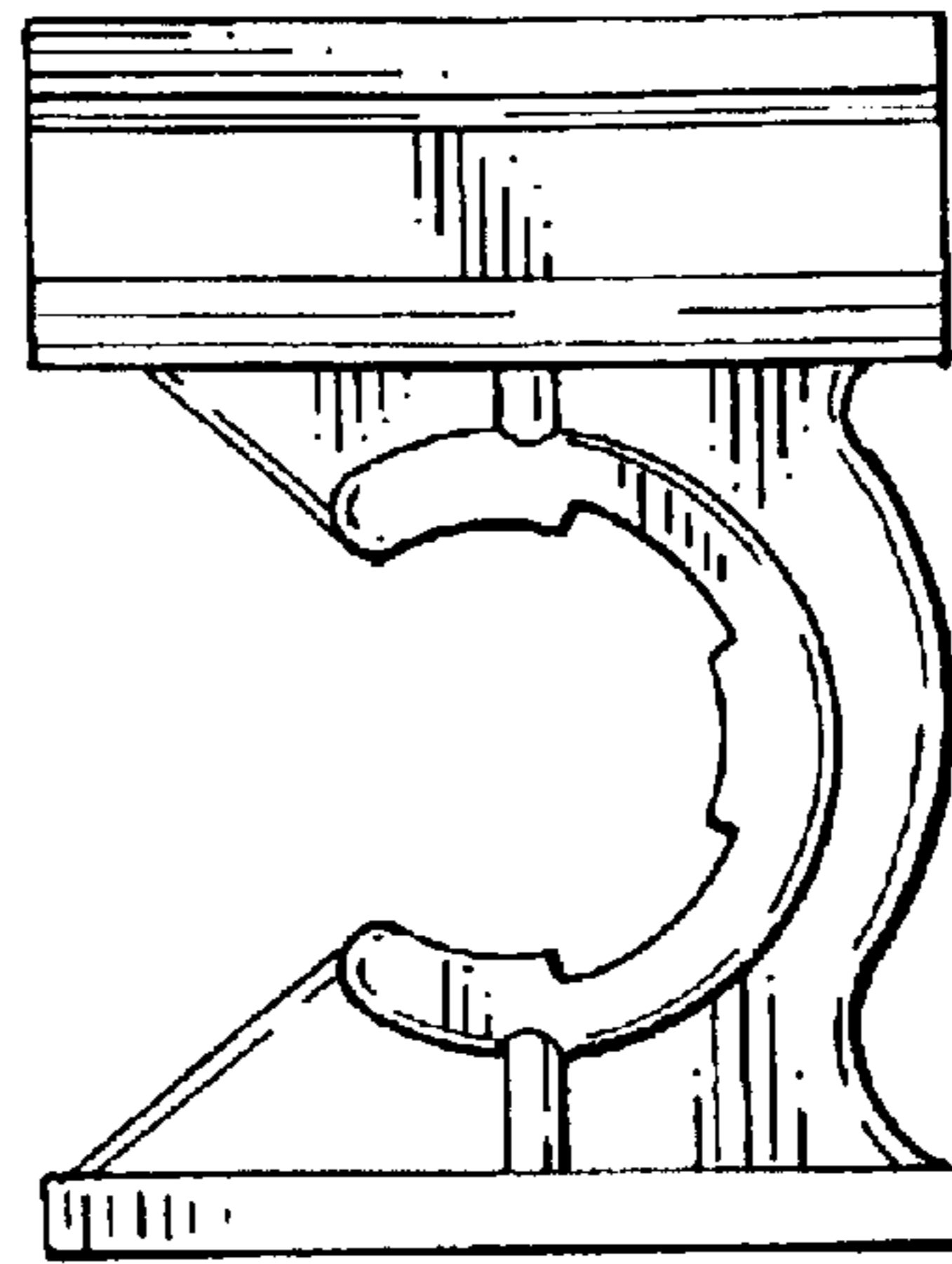


FIG. 4

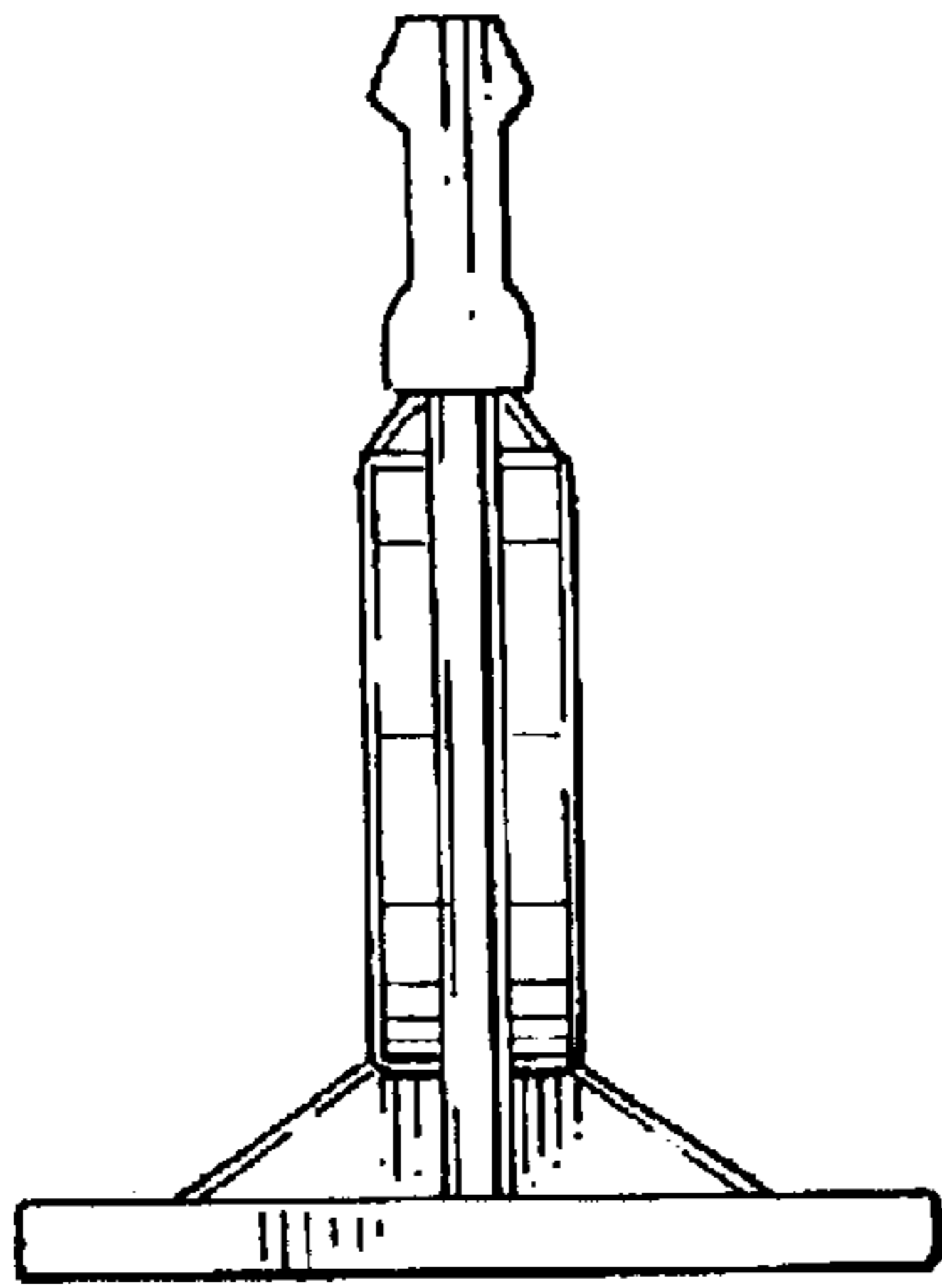


FIG. 3

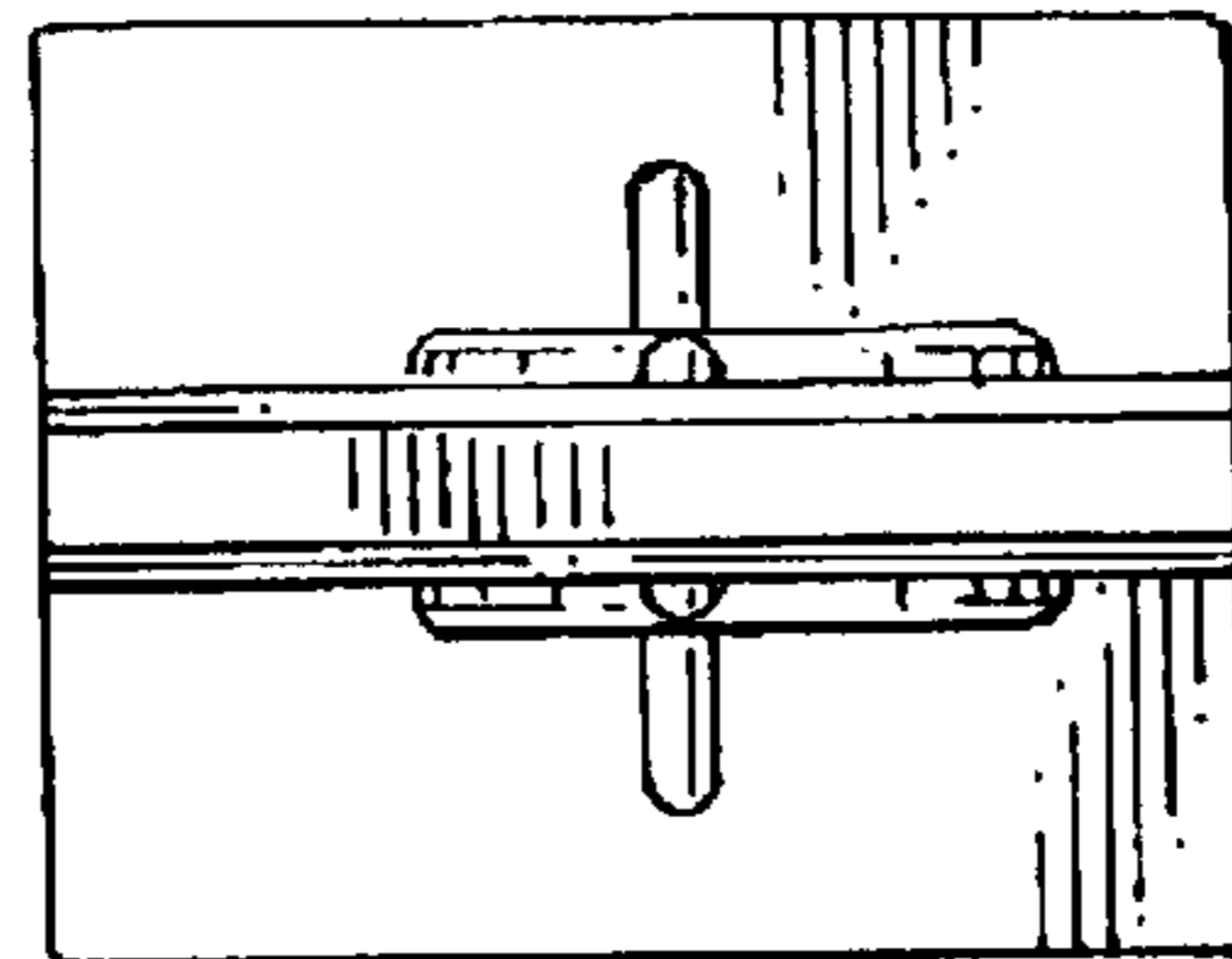


FIG. 5

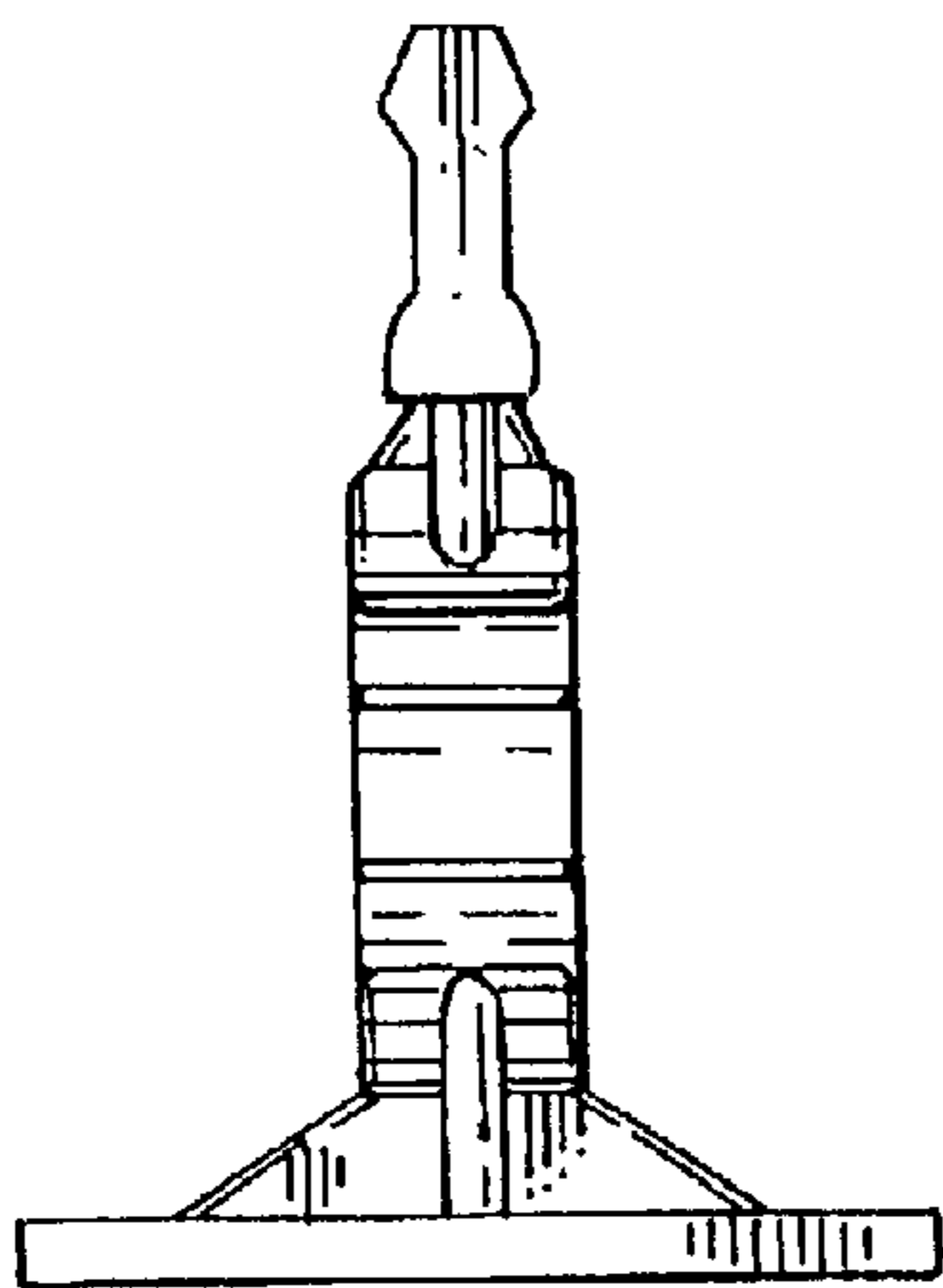


FIG. 2

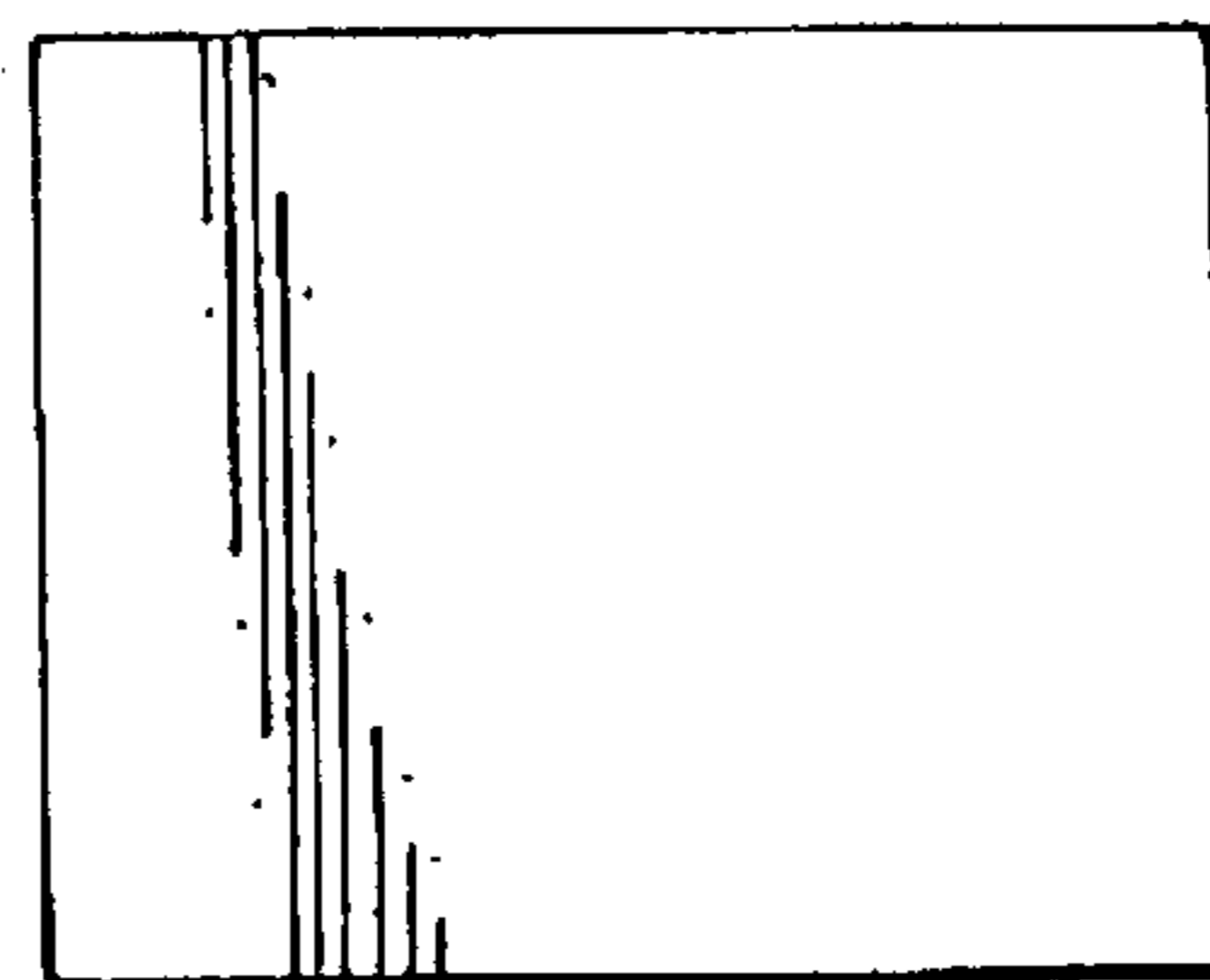


FIG. 6