



US00D490689S

(12) **United States Design Patent**
Kyle

(10) **Patent No.:** **US D490,689 S**

(45) **Date of Patent:** **** Jun. 1, 2004**

(54) **DECORATIVE ESCUTCHEON WITH
HANDLE PUNCHOUT AND PRESSURE
ADHESIVE BACKING**

4,181,339 A	1/1980	Rigsby	292/347
5,577,335 A	* 11/1996	Tucker	40/311
5,839,237 A	11/1998	Davidson	52/3
5,937,596 A	8/1999	Leeuwenburgh et al.	52/202
D449,775 S	* 10/2001	Ervolina	D8/350

(76) Inventor: **Kerri A. Kyle**, 454 W. Rand Rd.,
Mount Prospect, IL (US) 60056

* cited by examiner

(**) Term: **14 Years**

Primary Examiner—Adir Aronovich

(21) Appl. No.: **29/163,751**

(74) *Attorney, Agent, or Firm*—Donald R. Schoonover

(22) Filed: **Jul. 12, 2002**

(57) **CLAIM**

(51) **LOC (7) Cl.** **11-05**

The ornamental design for a decorative escutcheon with handle punchout and pressure adhesive backing, as shown and described.

(52) **U.S. Cl.** **D8/350**

(58) **Field of Search** D8/300–302, 307,
D8/350, 351–353, DIG. 2; 16/402; 70/450,
452; 292/336.3, 347, 357

DESCRIPTION

(56) **References Cited**

FIG. 1 is a perspective view of a decorative escutcheon with handle punchout and pressure adhesive backing embodying the design of the present invention; the broken lines depict environmental structure and form no part of the claimed design.

U.S. PATENT DOCUMENTS

D47,931 S	* 10/1915	Meier	D8/350
1,633,988 A	6/1927	Jones	
D168,539 S	* 1/1953	Frees et al.	D8/350
D169,045 S	* 3/1953	Morse	D8/307
D176,283 S	* 12/1955	Patriguin	D8/351
2,805,880 A	9/1957	Brozek et al.	
D185,190 S	* 5/1959	Clayton	D8/353
3,343,578 A	9/1967	Rubin	
3,960,396 A	6/1976	Miyahara	292/347

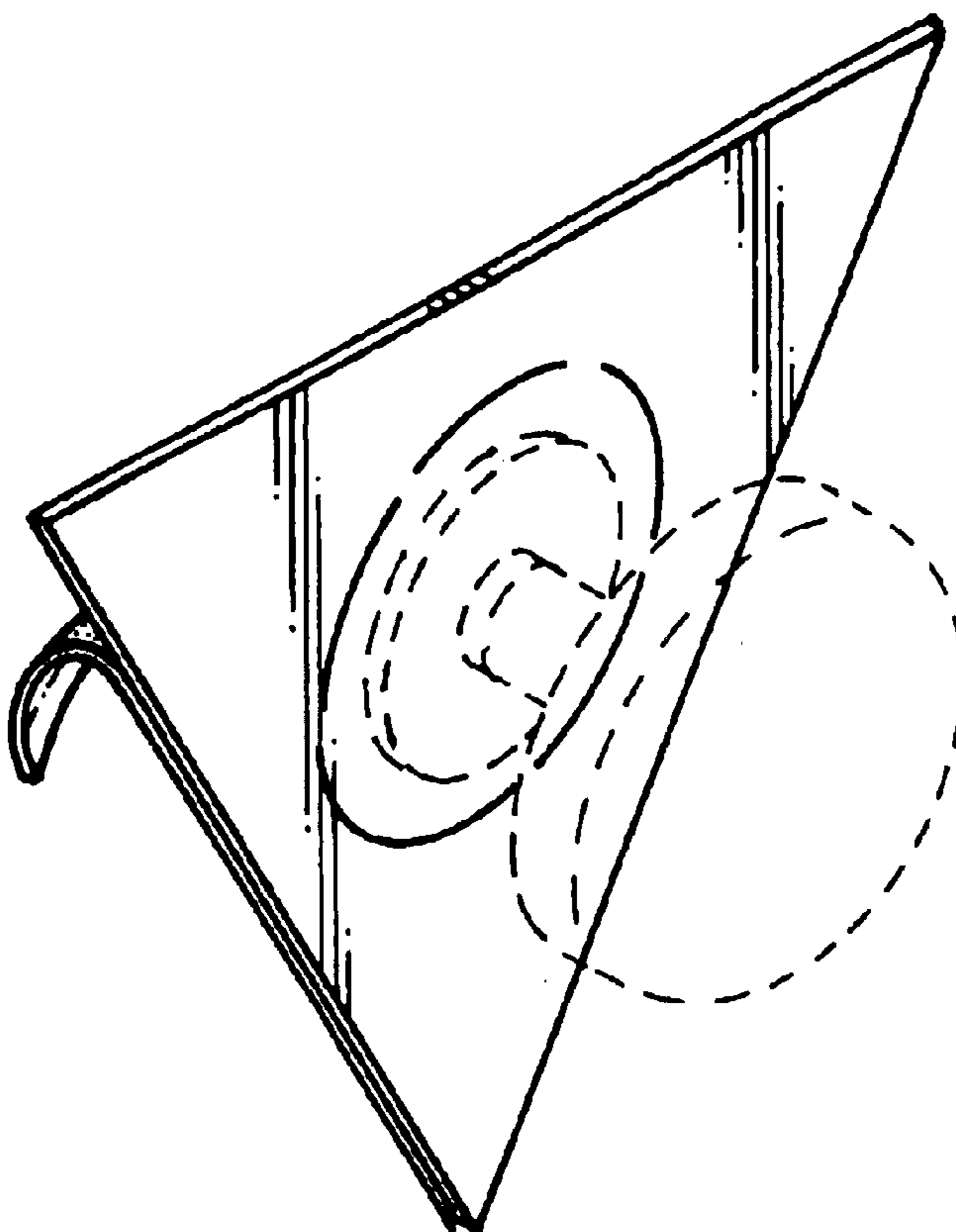
FIG. 2 is a front elevational view thereof, the rear elevational view being identical thereto;

FIG. 3 is a left side elevational view thereof, the right side elevational view being identical thereto;

FIG. 4 is a top plan view thereof; and,

FIG. 5 is a bottom plan view thereof.

1 Claim, 2 Drawing Sheets



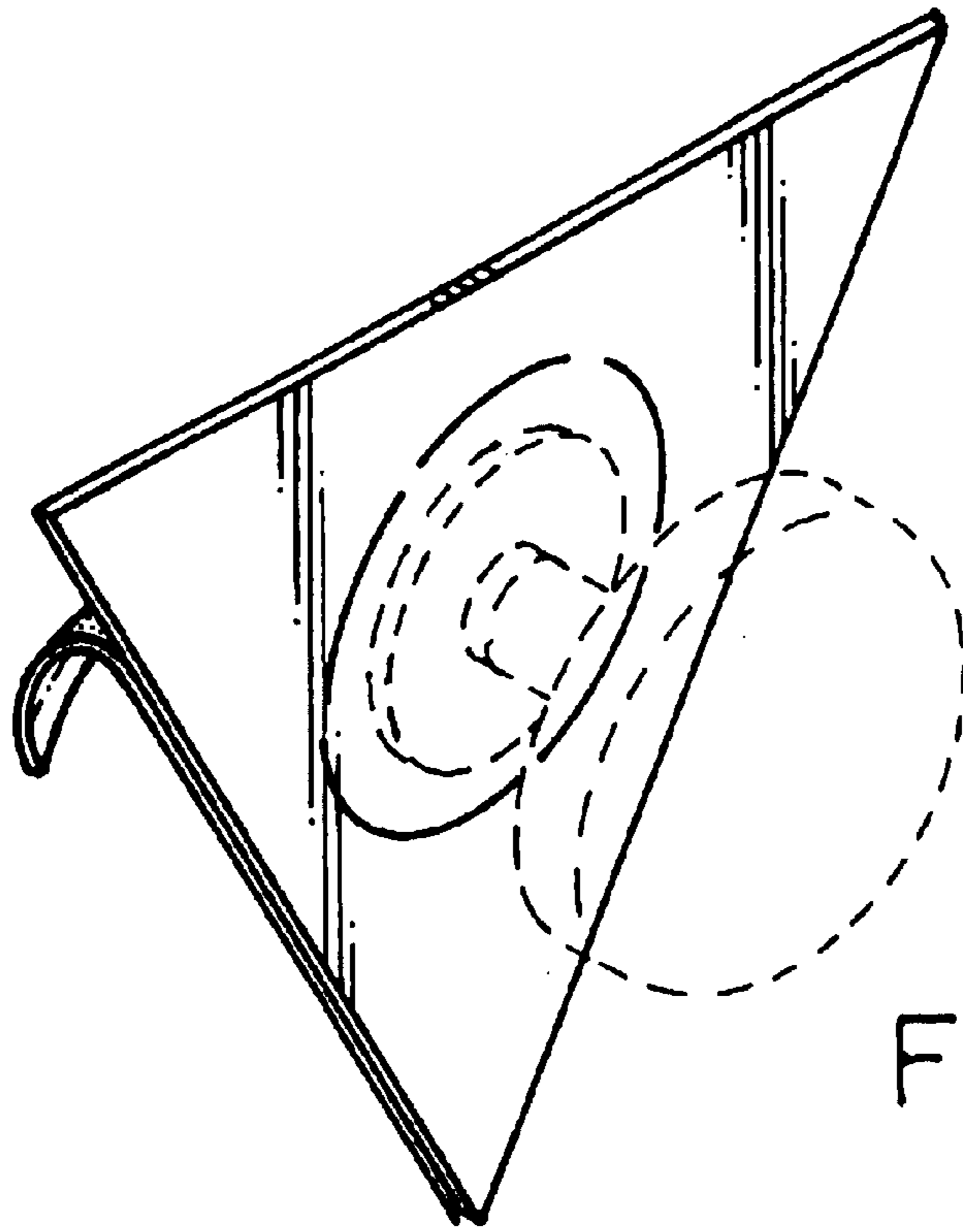


FIG. 1.

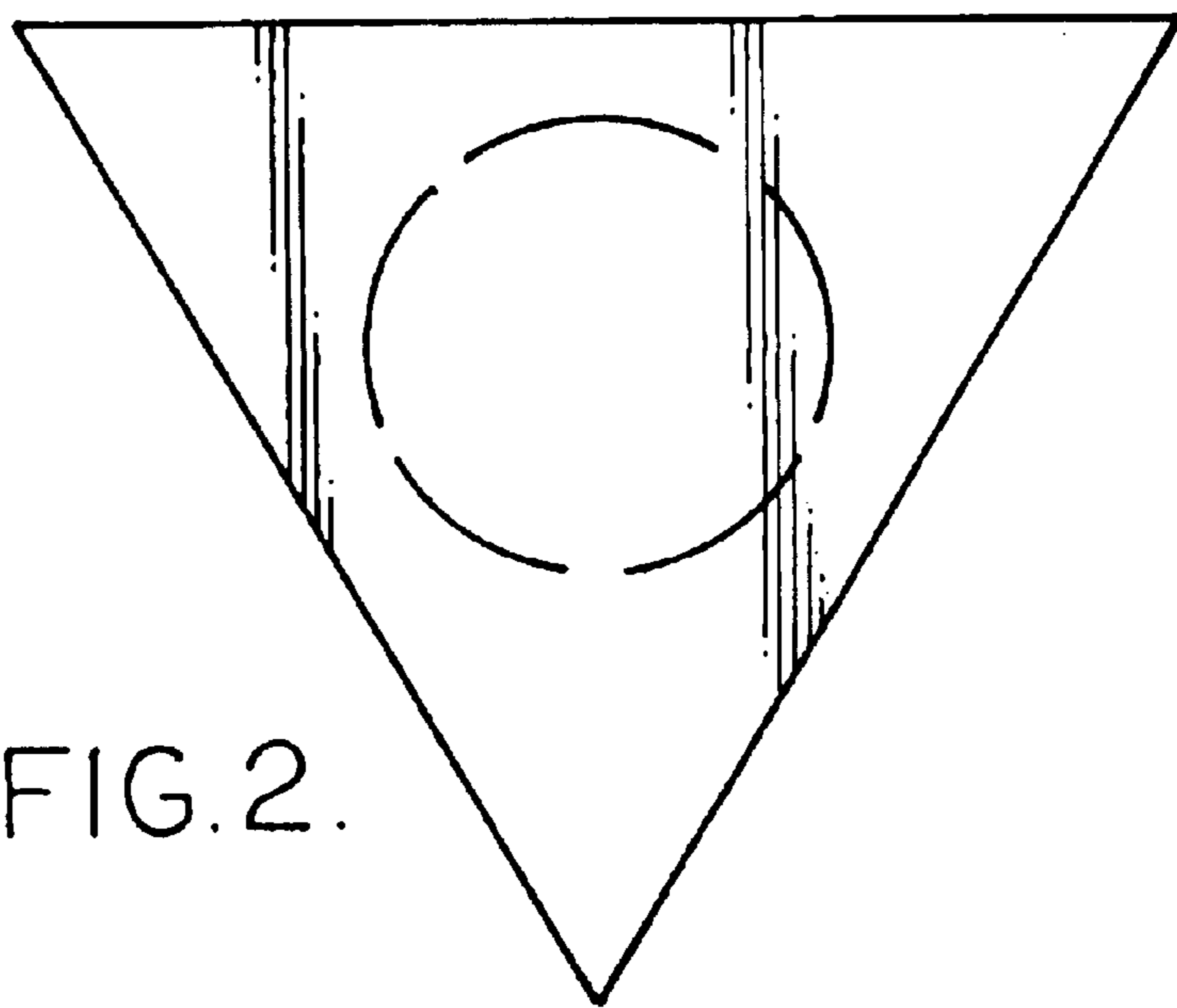


FIG. 2.

FIG. 4.

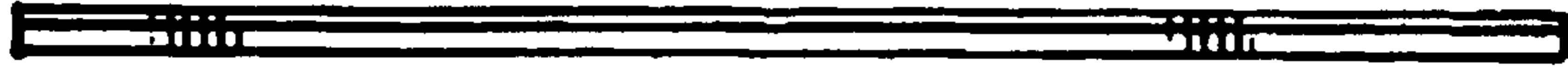


FIG. 5.



FIG. 3.

