



US00D490688S

(12) **United States Design Patent**
Vito

(10) **Patent No.:** **US D490,688 S**

(45) **Date of Patent:** **** Jun. 1, 2004**

(54) **LOCK ASSEMBLY COMPONENT**

(76) **Inventor:** **Robert A. Vito**, 1434 Sugartown Rd.,
Berwyn, PA (US) 19312

(**) **Term:** **14 Years**

(21) **Appl. No.:** **29/170,802**

(22) **Filed:** **Nov. 12, 2002**

Related U.S. Application Data

(63) Continuation-in-part of application No. 29/169,013, filed on Oct. 11, 2002, and a continuation-in-part of application No. 29/169,664, filed on Oct. 23, 2002, and a continuation-in-part of application No. 10/285,002, filed on Oct. 31, 2002.

(51) **LOC (7) Cl.** **08-07**

(52) **U.S. Cl.** **D8/343**

(58) **Field of Search** D8/330, 331, 336,
D8/339, 343, 344; 70/207, 209, 210, 225,
226, 227, 233, 234, 237, 252, 431, 448,
51-54

(56) **References Cited**

U.S. PATENT DOCUMENTS

251,464	A	*	12/1881	Rogers	278/96
1,305,563	A	*	6/1919	Ploand	70/226
1,477,777	A		12/1923	Shek		
1,662,294	A	*	3/1928	Bettinardi	70/260
3,091,011	A		5/1963	Campbell		
3,678,717	A		7/1972	Eaton		
3,838,585	A		10/1974	Foote		
3,959,995	A		6/1976	Fletcher		
4,060,978	A	*	12/1977	McBain et al.	59/78
4,134,255	A	*	1/1979	McBain et al.	59/78
4,676,080	A	*	6/1987	Schwarz	70/59
4,719,773	A		1/1988	Alberts		
4,850,207	A		7/1989	Ylven		
4,896,519	A		1/1990	Pitts		

(List continued on next page.)

Primary Examiner—Prabhakar Deshmukh
(74) *Attorney, Agent, or Firm*—Volpe and Koenig, P.C.

(57) **CLAIM**

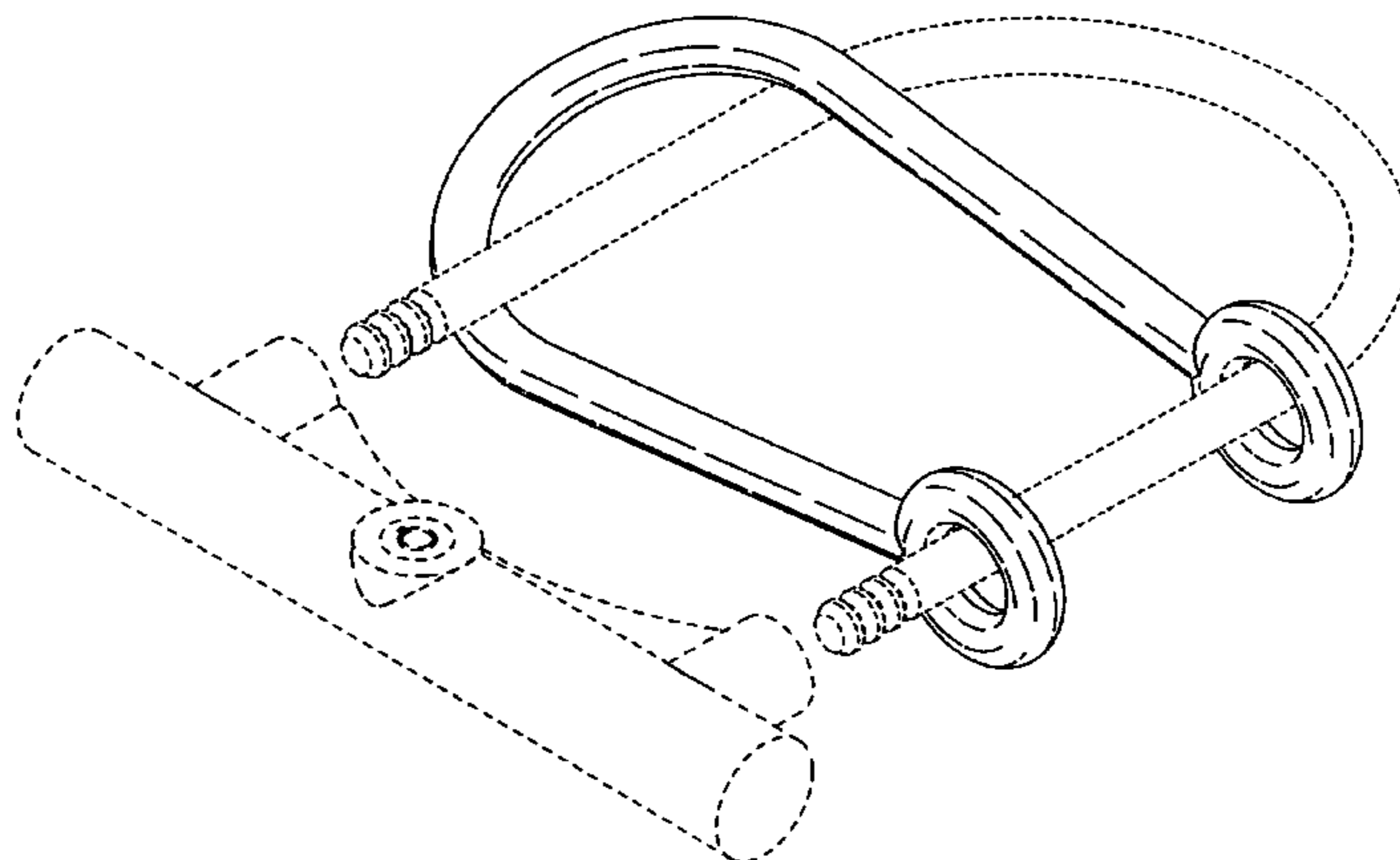
I claim the ornamental design for a lock assembly component, as shown and described.

DESCRIPTION

FIG. 1 is a perspective view of a lock assembly component according to a first preferred embodiment of my new design; FIG. 2 is a second perspective view of the lock assembly component of FIG. 1; FIG. 3 is a left side elevational view of the lock assembly component of FIG. 1, the right side elevational view being the same; FIG. 4 is a front elevational view of the lock assembly component of FIG. 1, the rear elevational view being the same; FIG. 5 is a top plan view of the lock assembly component of FIG. 1; FIG. 6 is a bottom plan view of the lock assembly component of FIG. 1; FIG. 7 is a perspective view of a lock assembly component according to a second preferred embodiment of my new design; FIG. 8 is a second perspective view of the lock assembly component of FIG. 7; FIG. 9 is a third perspective view of the lock assembly component of FIG. 7; FIG. 10 is a right side elevational view of the lock assembly component of FIG. 7, the left side elevational view being the same; FIG. 11 is a top plan view of the lock assembly component of FIG. 7; FIG. 12 is a front elevational view of the lock assembly component of FIG. 7, the rear elevational view being a mirror image thereof; and, FIG. 13 is a bottom plan view of the lock assembly component of FIG. 7.

The broken lines in FIGS. 1, 7, and 8 represent environment and are for illustrative purposes only and do not constitute part of the claimed design.

1 Claim, 5 Drawing Sheets



US D490,688 S

Page 2

U.S. PATENT DOCUMENTS

5,133,568 A	7/1992	Balterman	6,192,720 B1	2/2001	Kan
5,440,904 A	8/1995	Su	6,263,709 B1	7/2001	Kemery et al.
5,505,064 A	4/1996	Wang	6,430,973 B1	8/2002	Huang
5,675,999 A	10/1997	Carlstrom	6,467,315 B1	10/2002	Edmondson
5,901,588 A	5/1999	Frost	RE38,162 E *	7/2003	Brown 70/19
5,937,678 A	8/1999	Kuo	D477,214 S *	7/2003	Vito D8/499
6,006,555 A	12/1999	Shu-Fen	D478,503 S *	8/2003	Vito D8/499
6,109,074 A	8/2000	Du			

* cited by examiner

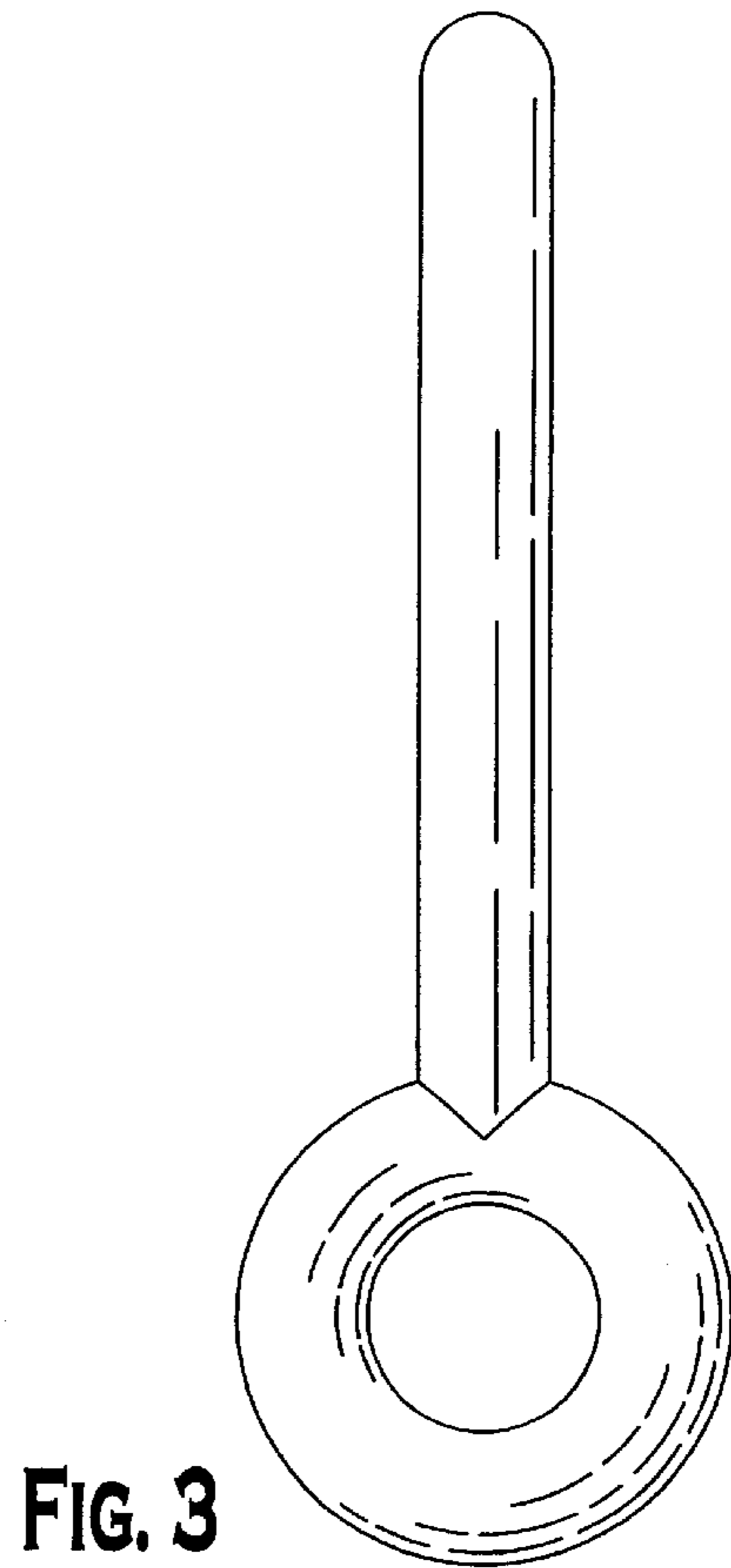
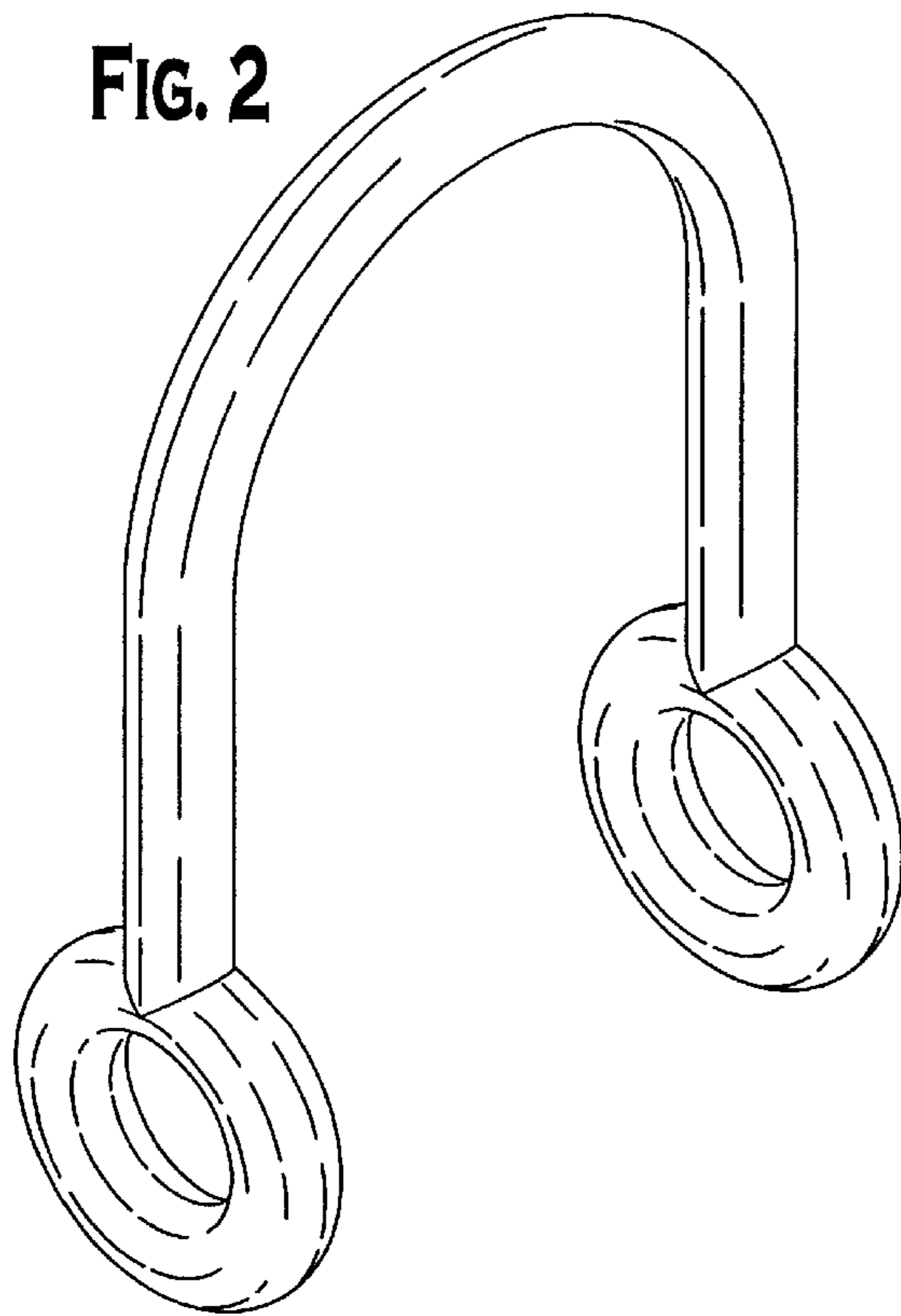
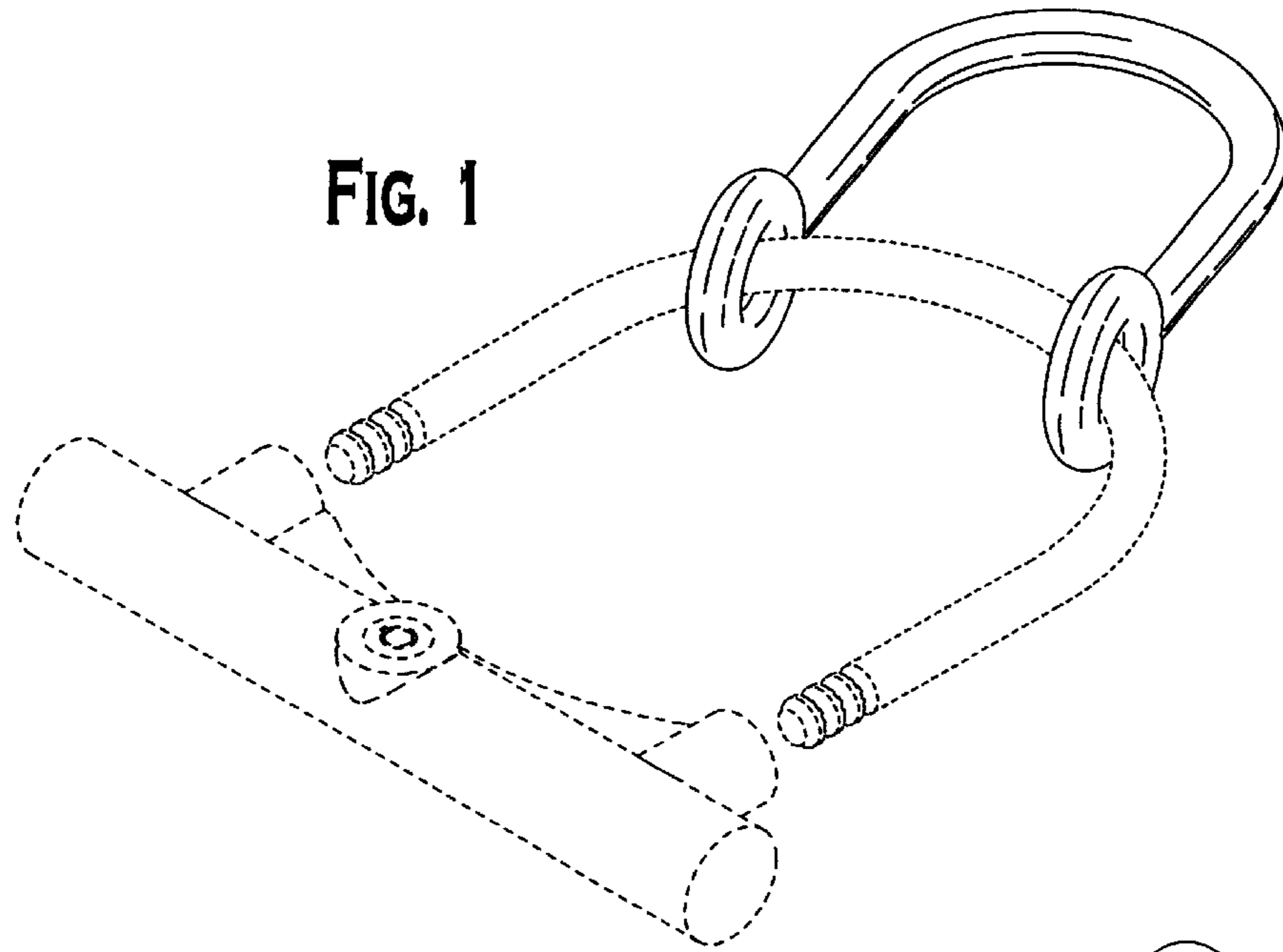


FIG. 4

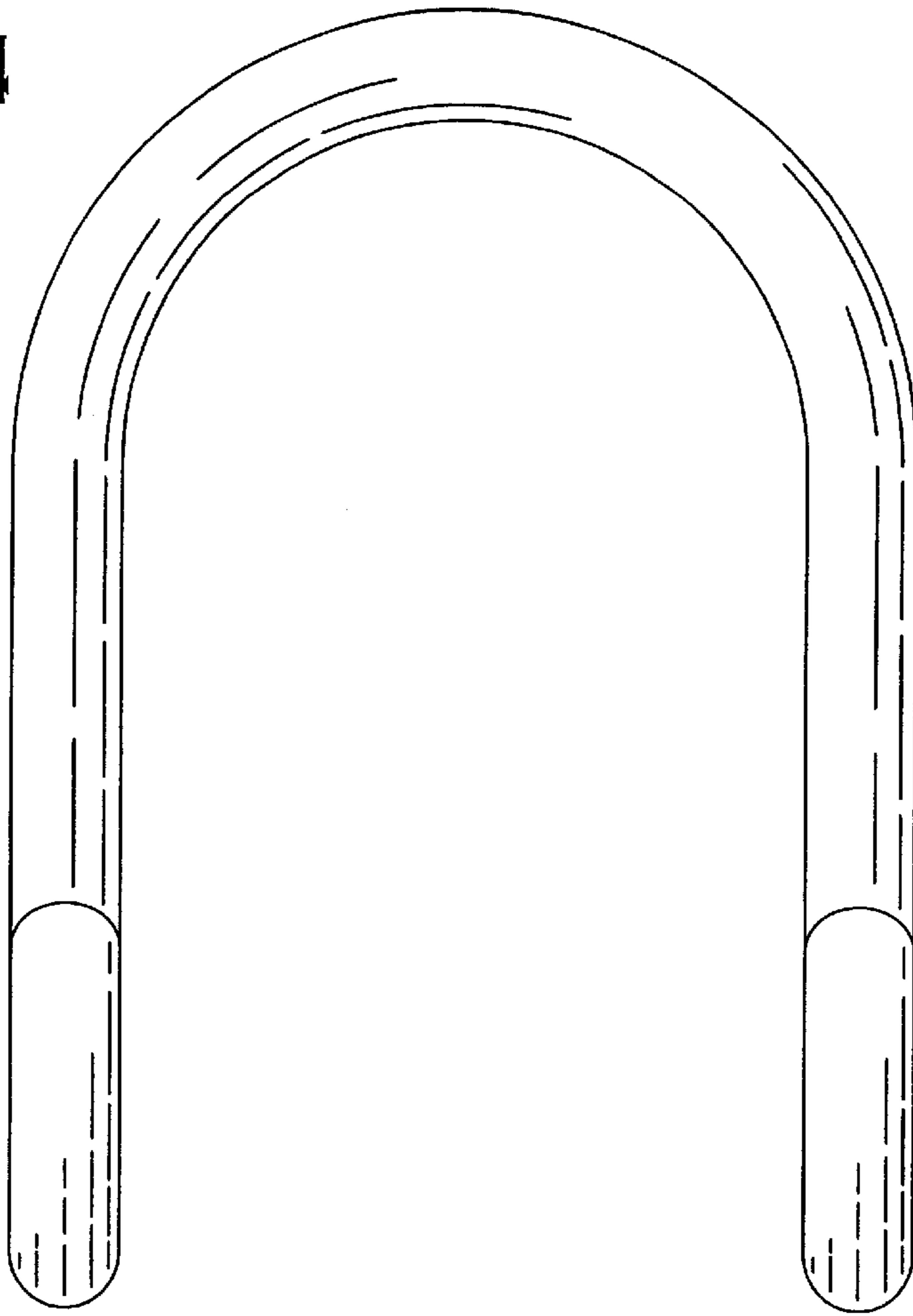


FIG. 5

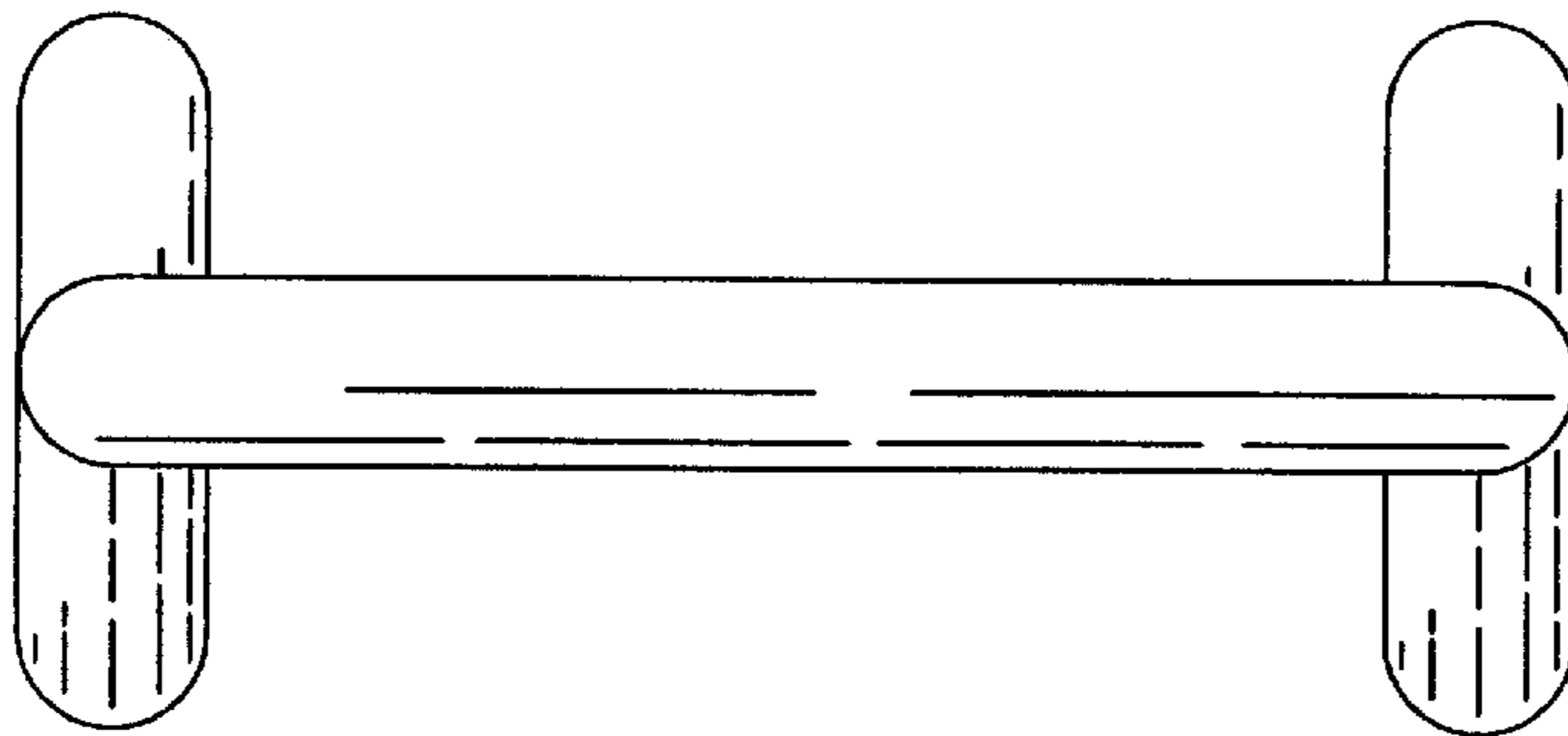


FIG. 6

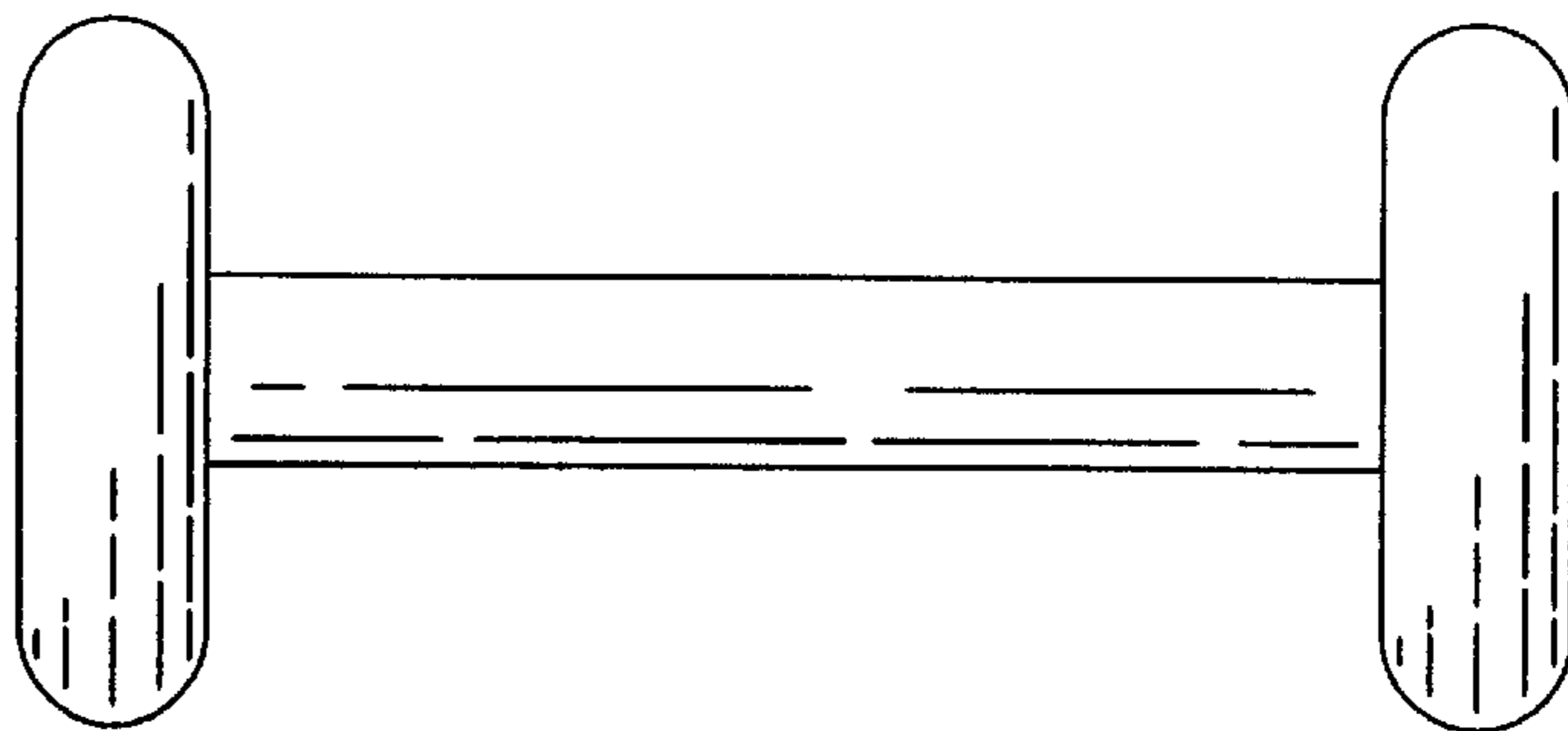


FIG. 7

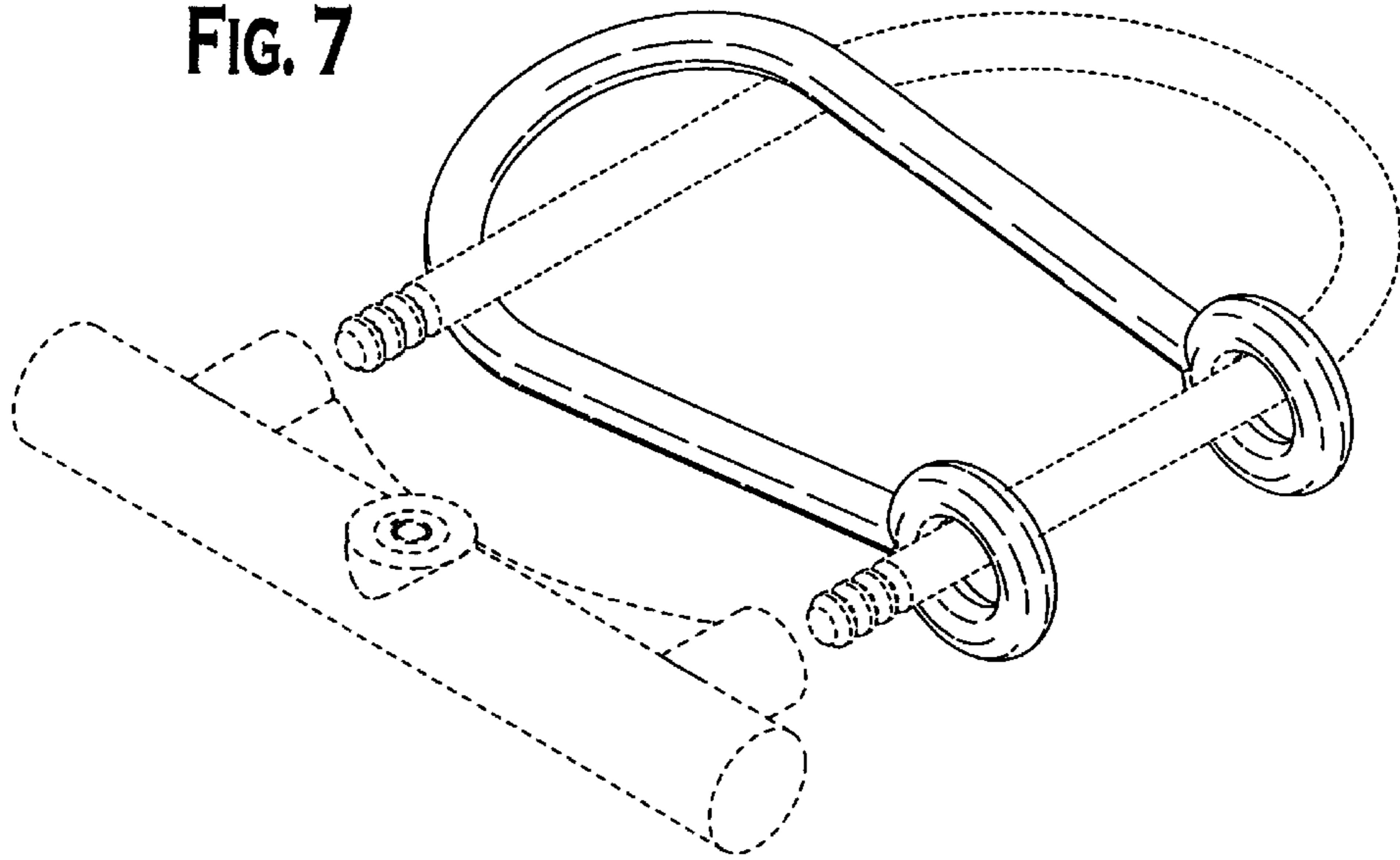


FIG. 8

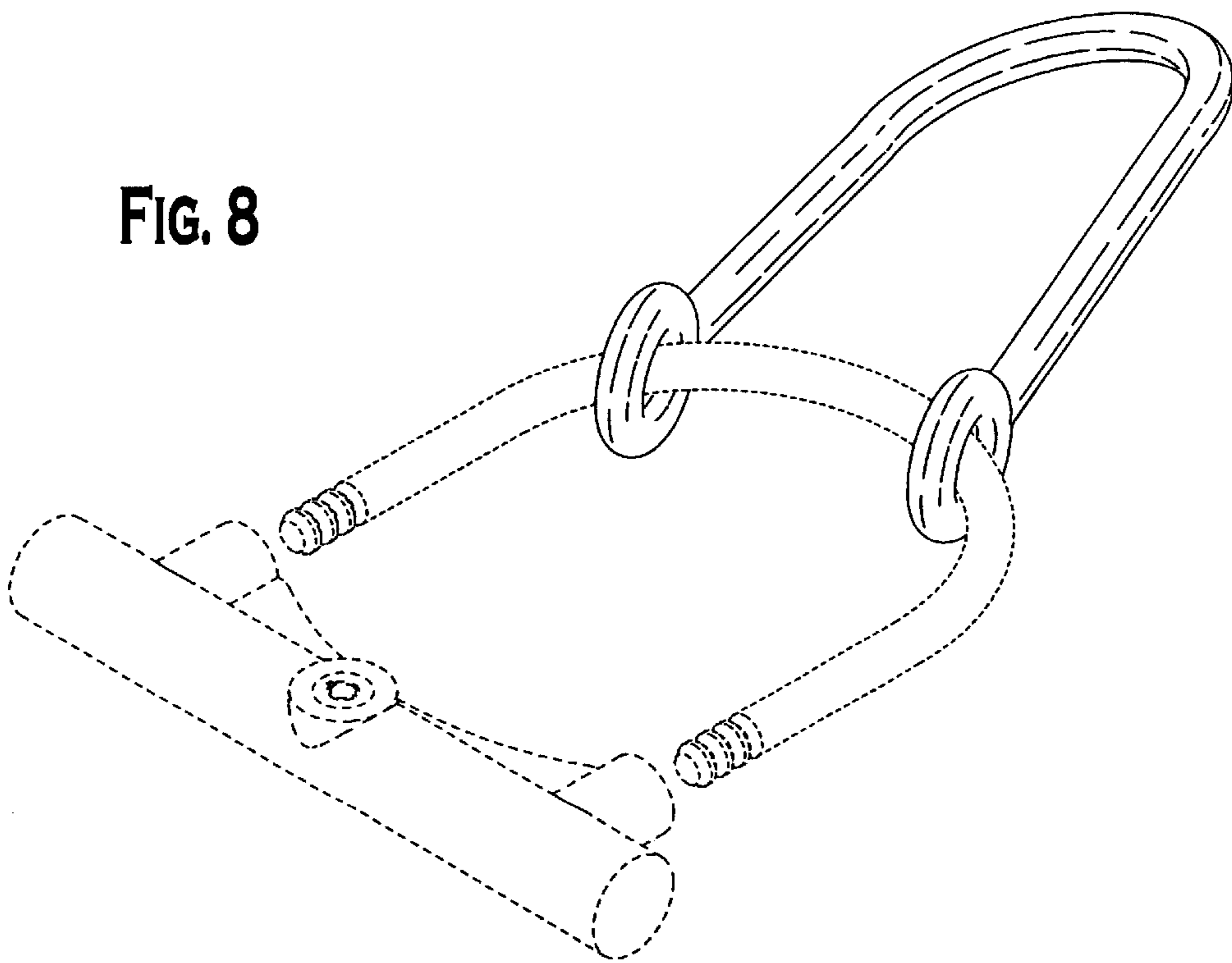


FIG. 9

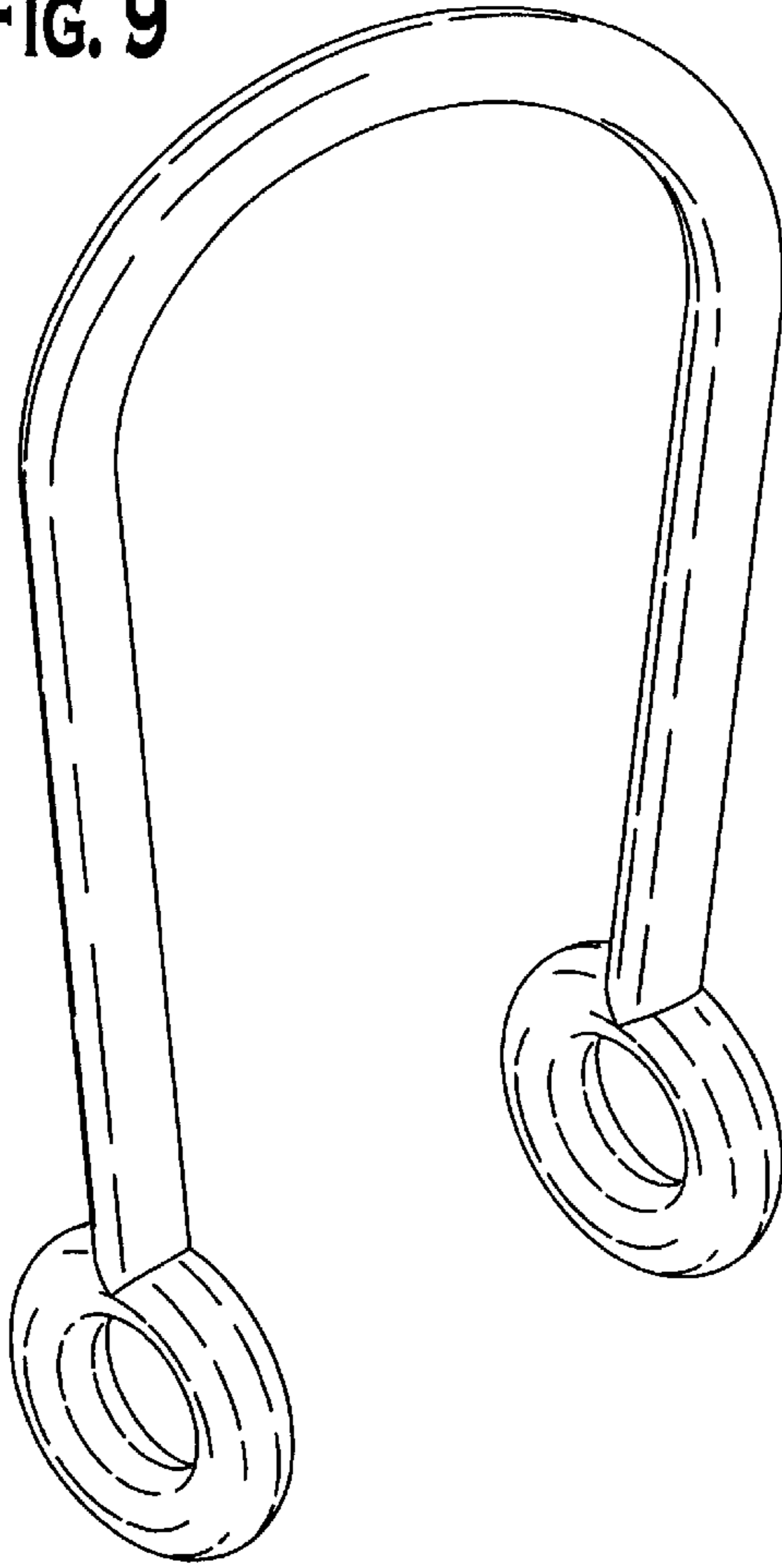


FIG. 10

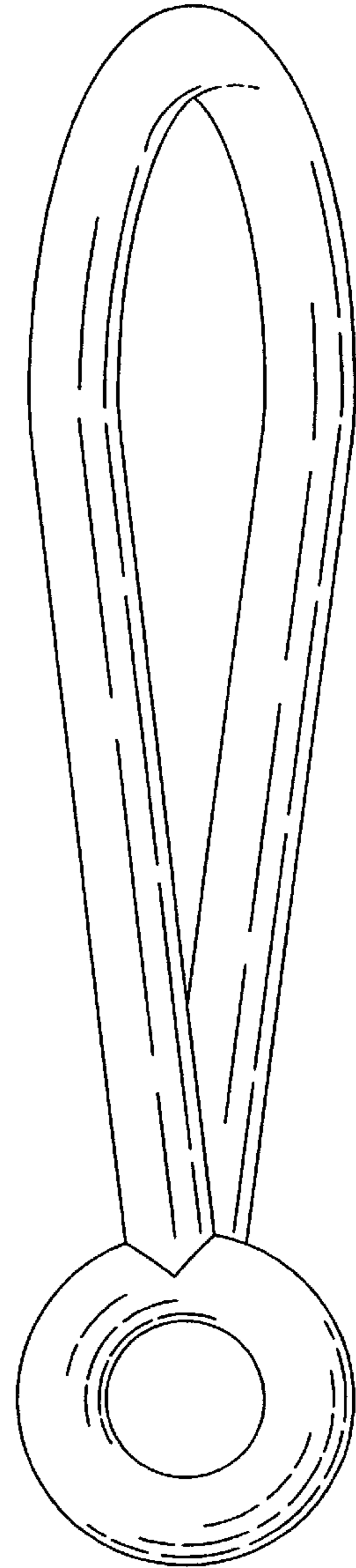


FIG. 11

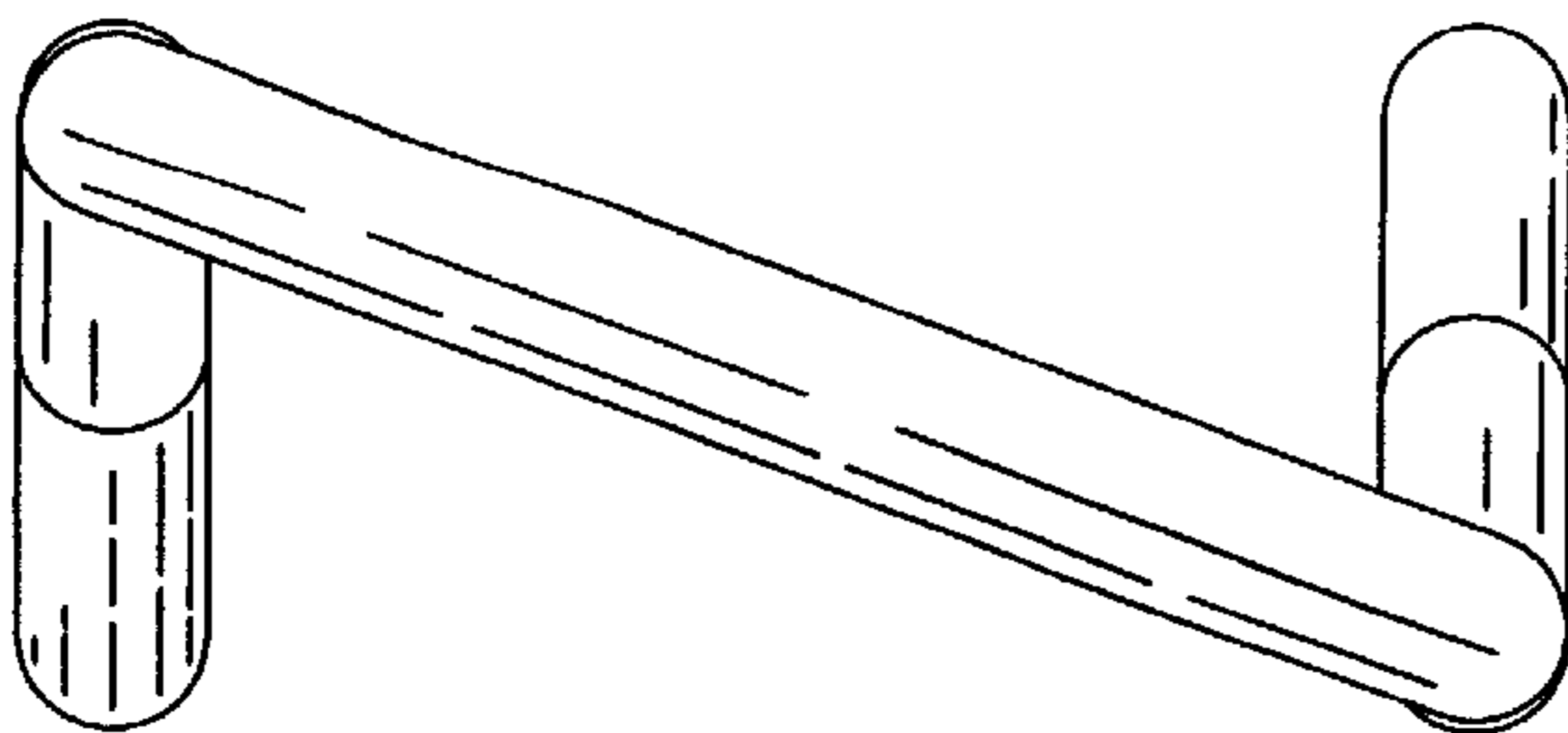


FIG. 12

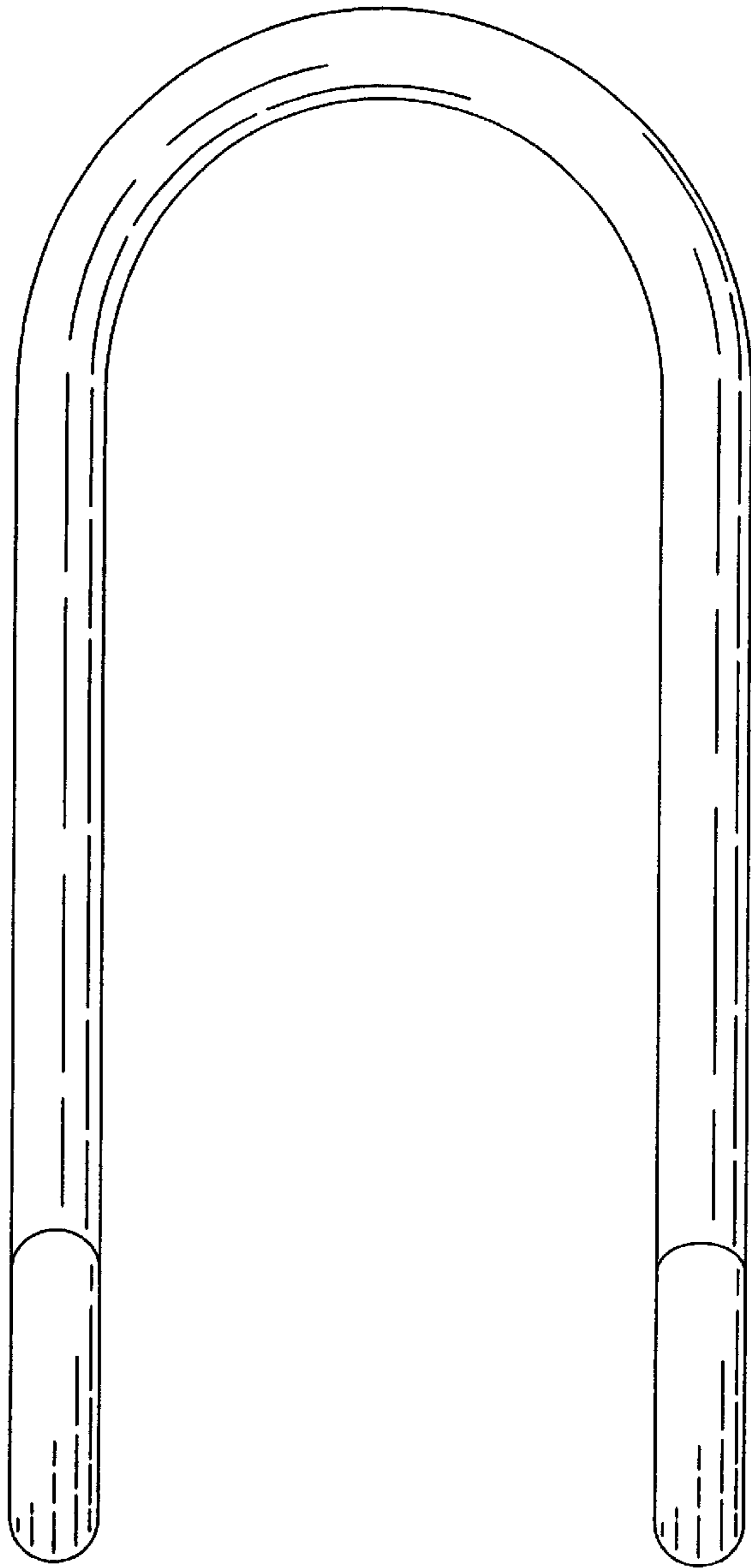


FIG. 13

