



US00D490687S

(12) **United States Design Patent**
Nosworthy

(10) **Patent No.:** **US D490,687 S**

(45) **Date of Patent:** **** Jun. 1, 2004**

(54) **SPRING SHACKLE**

(76) **Inventor:** **Dennis Michael Nosworthy, 5**
Manorwood, Coto de Caza, CA (US)
92679

(**) **Term:** **14 Years**

(21) **Appl. No.:** **29/168,921**

(22) **Filed:** **Oct. 9, 2002**

(51) **LOC (7) Cl.** **08-07**

(52) **U.S. Cl.** **D8/343**

(58) **Field of Search** D8/330, 343-346,
D8/349, 350, 400, 404, 499; 70/18, 14,
49, 53, 51, 431; 292/288, 327, 328

(56) **References Cited**

U.S. PATENT DOCUMENTS

- D28,397 S * 3/1898 Ocumpaugh D8/343
- 2,201,930 A * 5/1940 Stark 292/327
- D263,675 S * 4/1982 Vorves D8/499
- D280,288 S * 8/1985 Lickton D8/499
- D313,162 S * 12/1990 Westphal et al. D8/343

- D326,997 S * 6/1992 Clayton D8/352
- 6,508,086 B2 * 1/2003 Chen 70/49
- 6,546,763 B1 * 4/2003 Pielach 70/18

* cited by examiner

Primary Examiner—Prabhakar Deshmukh

(74) *Attorney, Agent, or Firm*—Curtis L. Harrington

(57) **CLAIM**

The ornamental design for a spring shackle, as shown and described.

DESCRIPTION

FIG. 1 is a perspective view of the spring shackle, it being understood that the bolts extending therefrom form no part of the inventive design hereof;

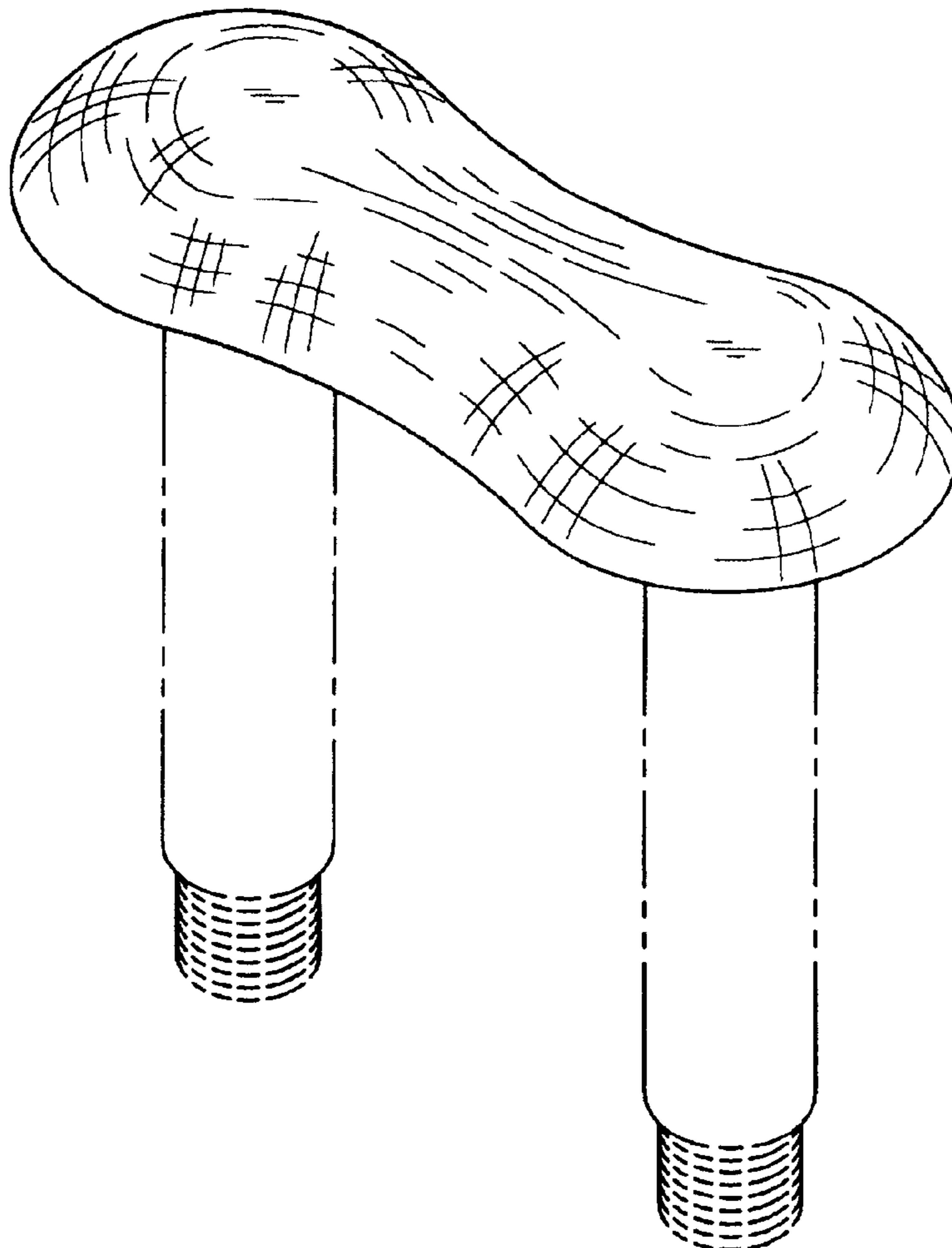
FIG. 2 is a top view, the bottom view being the same as the top view;

FIG. 3 is a right side view, the left side view being the same as the right side view;

FIG. 4 is a front view; and,

FIG. 5 is a rear view.

1 Claim, 2 Drawing Sheets



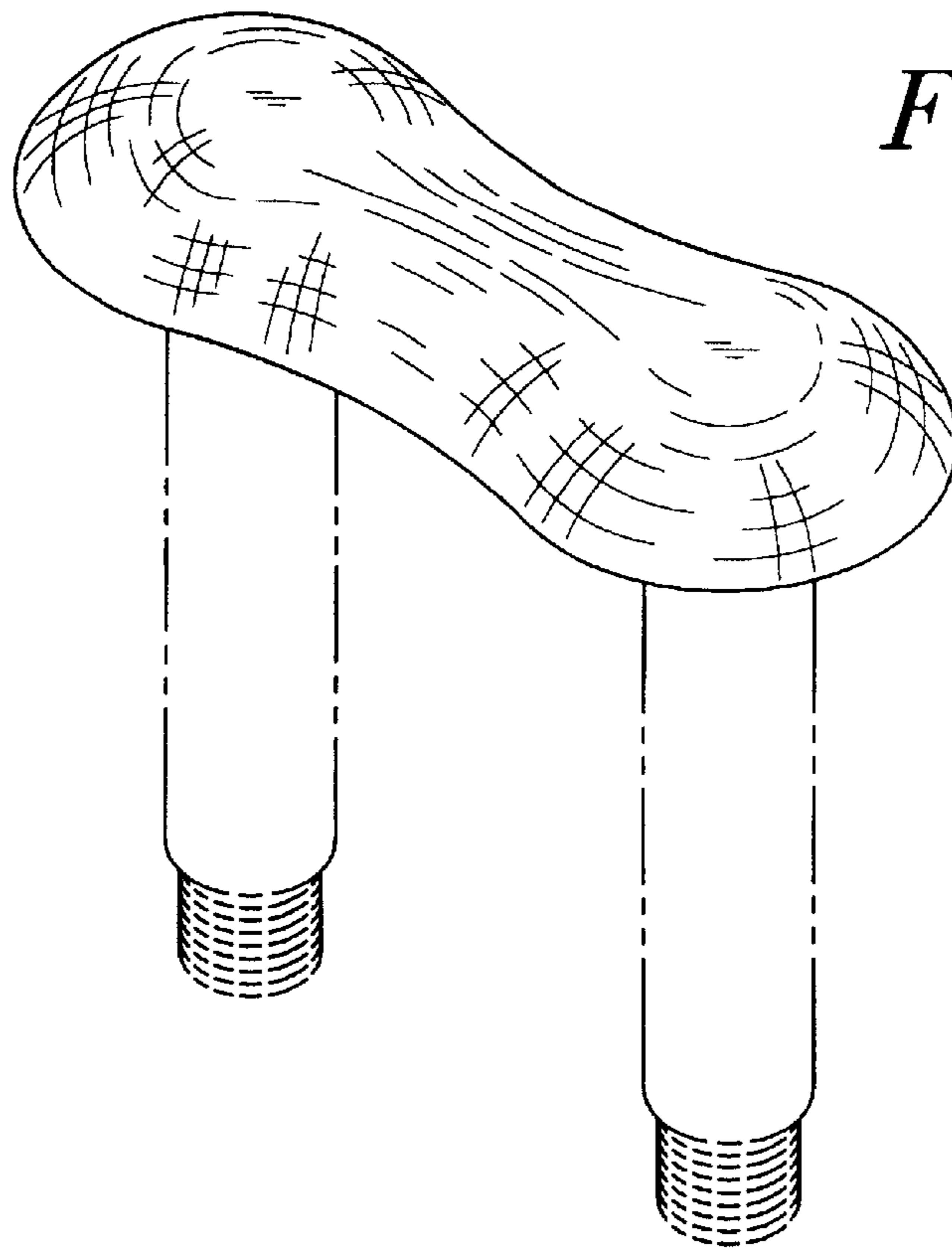


Fig. 1

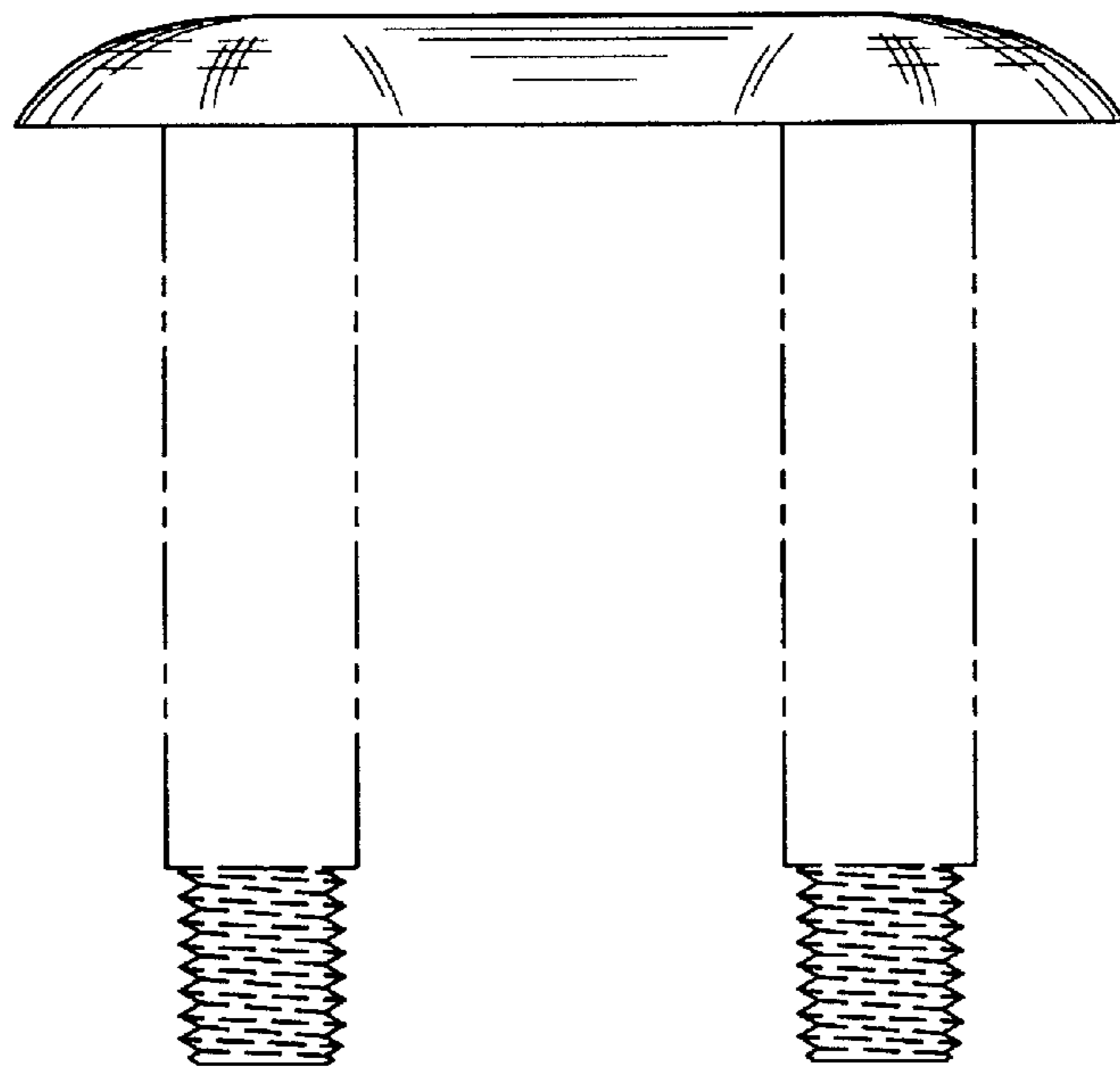


Fig. 2

Fig. 3

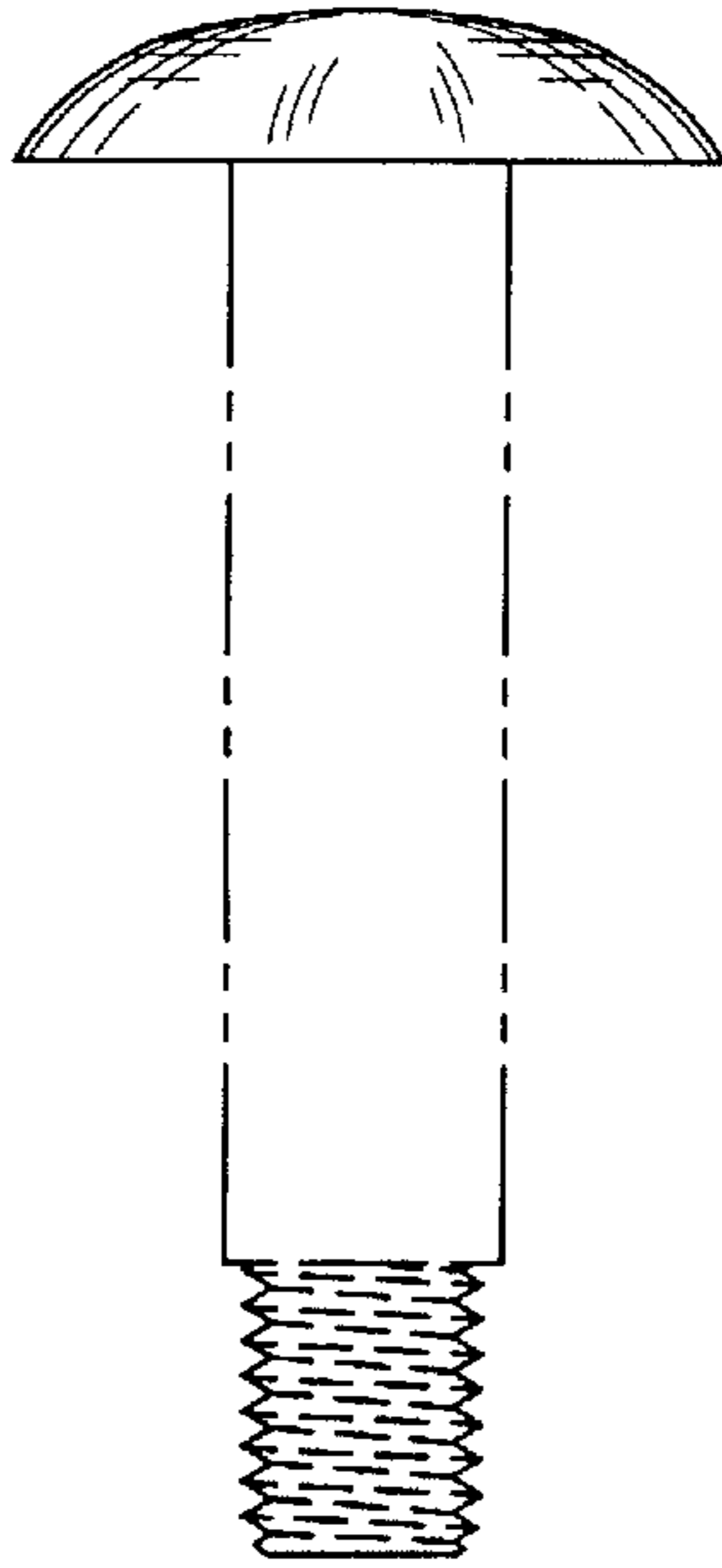


Fig. 4

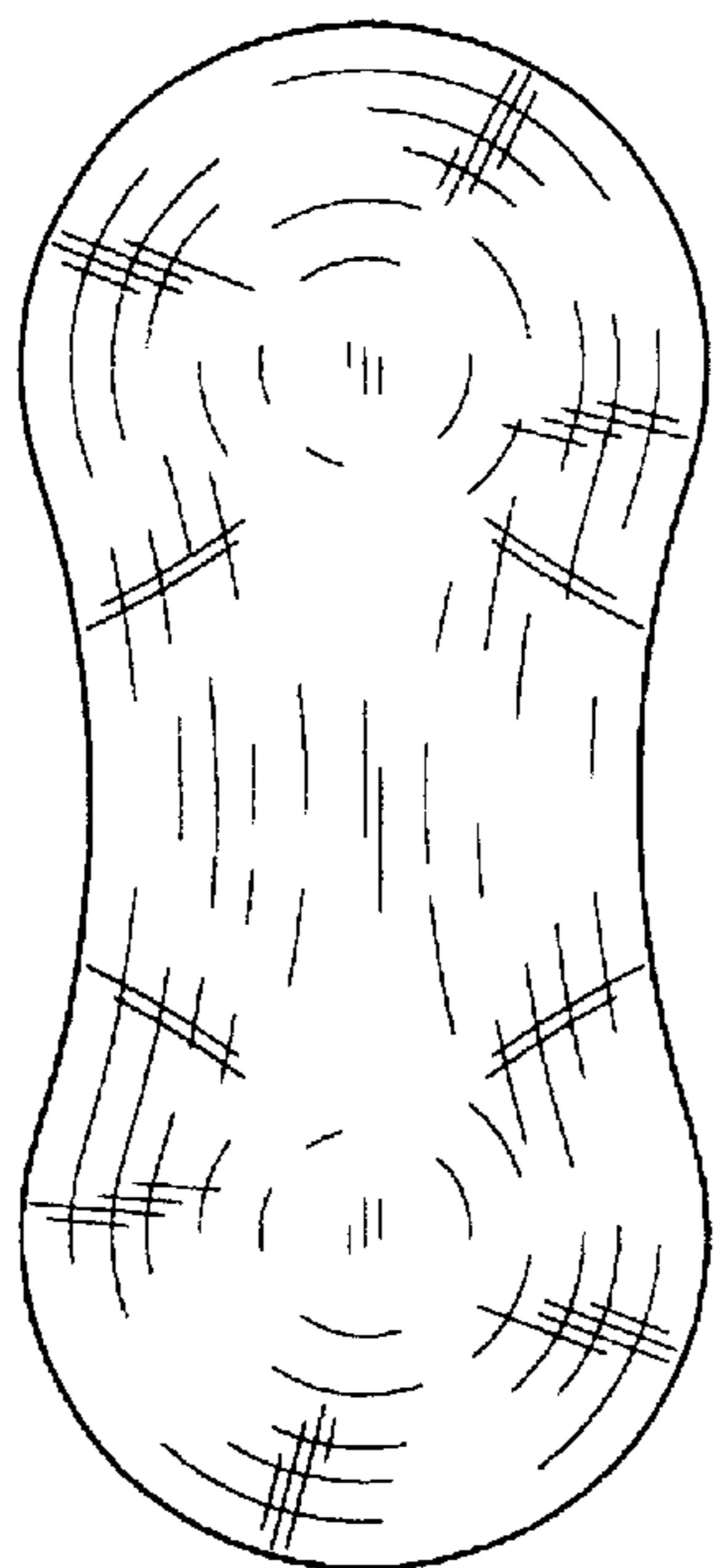


Fig. 5

