



US00D490686S

(12) **United States Design Patent**  
**Martin**

(10) **Patent No.:** **US D490,686 S**

(45) **Date of Patent:** **\*\* Jun. 1, 2004**

- (54) **SECURITY FACE PLATE FOR CABINET LOCK**
- (75) Inventor: **Frank J. Martin**, Seattle, WA (US)
- (73) Assignee: **Olympus Lock, Inc.**, Seattle, WA (US)
- (\*\*) Term: **14 Years**
- (21) Appl. No.: **29/167,836**
- (22) Filed: **Sep. 20, 2002**
- (51) **LOC (7) Cl.** ..... **08-07**
- (52) **U.S. Cl.** ..... **D8/343**
- (58) **Field of Search** ..... D8/330, 331, 343,  
D8/344, 346, 349, 400, 404, 301, 302;  
70/14, 51, 52, 54, 450, 81, 158, 431, 466;  
292/289, 340, 341.14

National Cabinet Lock, "Pin Tumbler Door and Drawer Locks with 'The Advantage Plus'".  
National Lock Hardware "Instructions and Template Inside for Mortise Bolt Lock Set Series V474".  
Corbin Cabine Lock; "The Right Hardware".  
National Lock Hardware, "Instructions for Keying National Lock Door Hardware"; 1980.  
CCL Security Products catalog "Padlocks and Cabinet Hardware"; 1989.  
National Lock; "Cabinet Locks" catalog.  
National Cabinet Lock; catalog supplement "New Stock Locks Items".  
Chicago; catalog pages.  
Kenstan Lock & Hardware Company, Inc.; "A Complete Line of Showcase and Cabinet Locks" catalog; p. 10.  
Olympus Lock; "Product Catalog" 04/92.

*Primary Examiner*—Prabhakar Deshmukh  
(74) *Attorney, Agent, or Firm*—Seed IP Law Group PLLC

- (56) **References Cited**
- U.S. PATENT DOCUMENTS**
- 587,564 A     8/1897 Voight
- 1,414,348 A     5/1922 Falk
- 1,500,297 A     7/1924 Best

(List continued on next page.)

- FOREIGN PATENT DOCUMENTS**
- DE            330328        12/1920
- DE            814411        9/1951
- DE            3406554 A     8/1985
- DE            274464 A     12/1989
- DK            67305         7/1948
- EP            370893 A     5/1990
- GB            1218041      1/1971
- GB            2200680 A     8/1988

**OTHER PUBLICATIONS**

Sutton, Lock No. 68-3713-1, Mar. 21, 1963, National Lock Co., Illinois.  
National Cabinet Lock, "New Stock Lock Items" 1988.  
The National Locksmith, "The New Olympus™ Series Re-keyables from CCL", Jul. 1988.

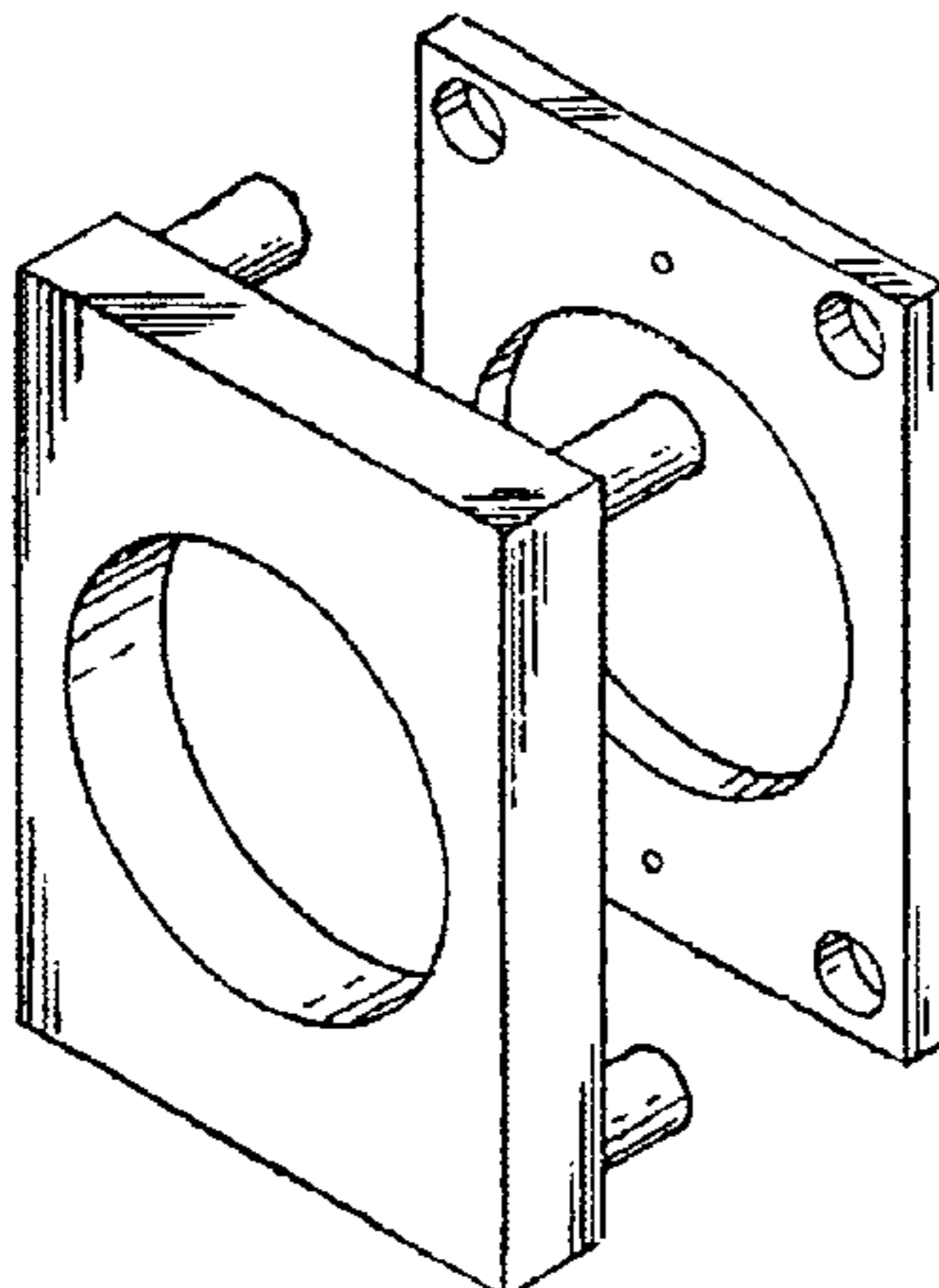
(57) **CLAIM**

The ornamental design for a security face plate for cabinet lock, as shown and described.

**DESCRIPTION**

FIG. 1 is a top right perspective view of a security face plate for cabinet lock showing my new design.  
FIG. 2 is a front elevational view thereof.  
FIG. 3 is a right side elevational view thereof.  
FIG. 4 is a rear elevational view thereof.  
FIG. 5 is a top plan view thereof.  
FIG. 6 is a top right perspective view of a second embodiment of the design shown in FIG. 1.  
FIG. 7 is a front elevational view of the second embodiment of the design.  
FIG. 8 is a right side elevational view of the second embodiment of the design.  
FIG. 9 is a rear elevational view of the second embodiment of the design; and,  
FIG. 10 is a top plan view of the second embodiment of the design.

**1 Claim, 3 Drawing Sheets**



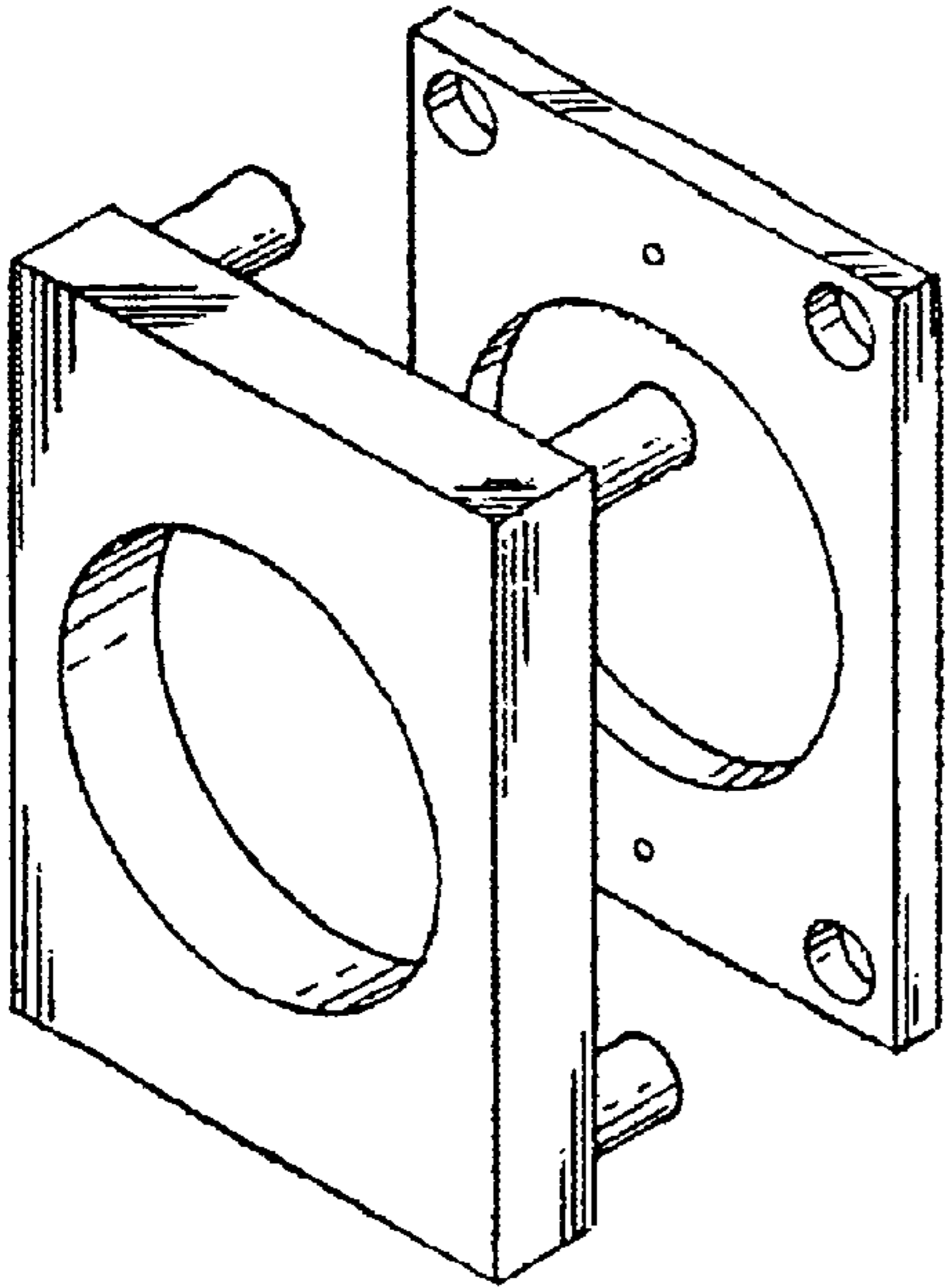
# US D490,686 S

Page 2

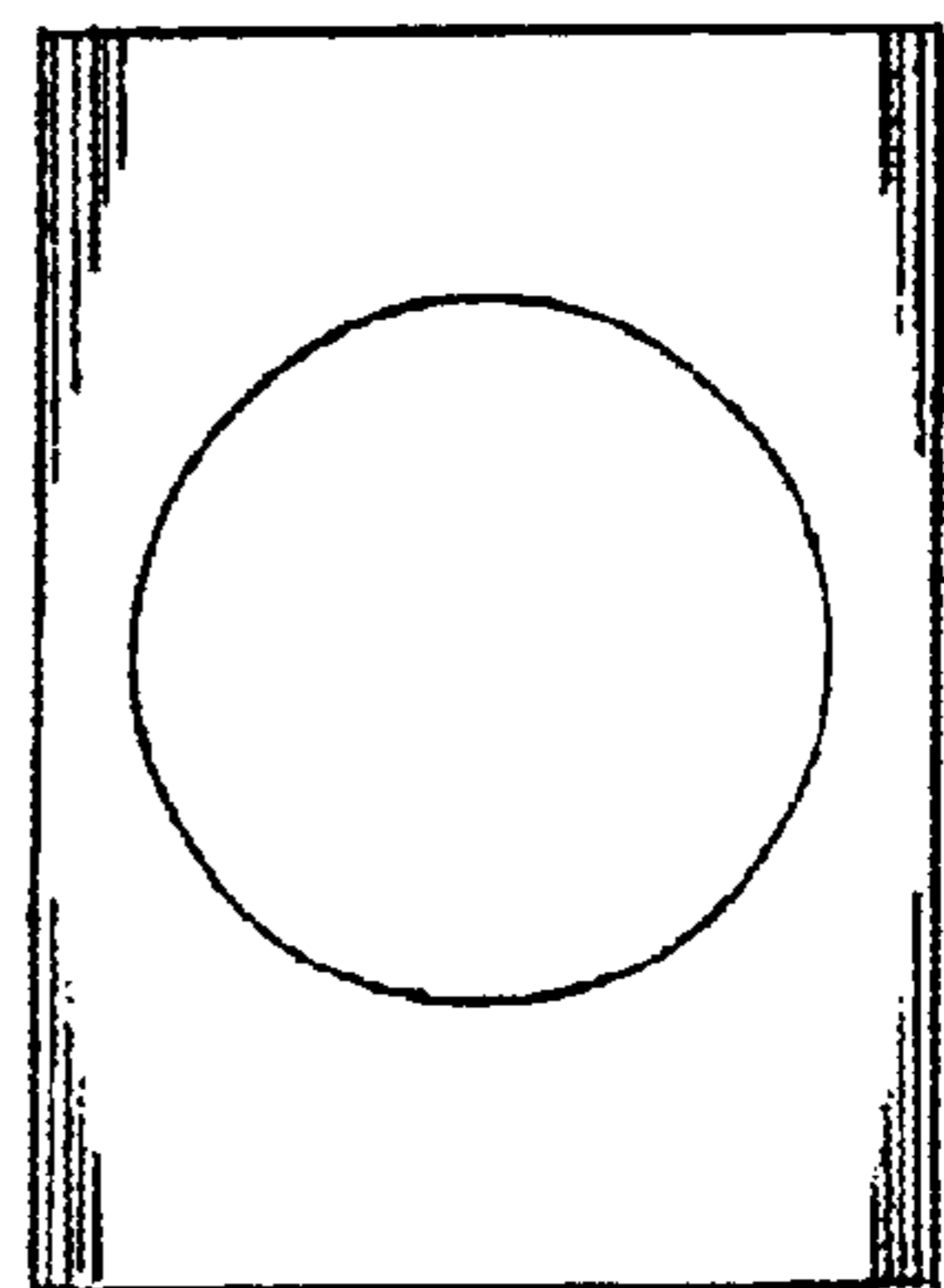
## U.S. PATENT DOCUMENTS

1,699,757 A	1/1929	Segal		3,290,910 A	12/1966	Laviana .....	70/383
1,759,374 A *	5/1930	Schlage .....	70/450	3,429,154 A	2/1969	Schwartz .....	70/375
1,835,725 A	12/1931	Thompson et al.		3,434,316 A	3/1969	Neary .....	70/371
1,913,963 A	6/1933	Shinn		3,449,934 A	6/1969	Check .....	70/451
1,914,639 A	6/1933	Hurd		3,589,152 A	6/1971	Glass .....	70/81
1,983,446 A	12/1934	Falk		3,733,865 A	5/1973	Vorob .....	70/370
1,990,934 A	2/1935	Falk		3,774,423 A	11/1973	Orr .....	70/375
2,014,233 A	9/1935	Keil		3,793,857 A	2/1974	Schlage .....	70/368
2,039,244 A	4/1936	Lowe .....	70/46	3,824,817 A	7/1974	Orr .....	70/81
2,049,742 A	8/1936	Lowe .....	70/46	3,863,476 A	2/1975	Patriquin .....	70/419
2,058,895 A	10/1936	Lowe .....	70/46	3,881,331 A	5/1975	Tranberg et al. ....	70/107
2,182,307 A	12/1939	Behnke .....	70/80	4,065,162 A *	12/1977	Schlage .....	D8/344 X
2,268,511 A	12/1941	Ledin .....	70/371	4,099,397 A	7/1978	Dauenbaugh .....	70/371
2,306,022 A	12/1942	Lach .....	70/81	4,228,668 A	10/1980	Scherbing .....	70/363
2,307,106 A	1/1943	Brush .....	70/447	4,338,806 A	7/1982	Cox .....	70/417
2,308,322 A	1/1943	Voight .....	70/374	4,471,638 A	9/1984	Scheerhorn .....	70/368
2,381,136 A	8/1945	Oxhandler .....	70/374	4,548,061 A	10/1985	Nilsson .....	70/370
2,480,026 A	8/1949	Jacobi .....	70/368	4,630,457 A *	12/1986	Kincald et al. ....	70/369
2,655,030 A *	10/1953	Schlage .....	70/450	4,633,689 A	1/1987	Wolniak et al. ....	70/379 R
2,720,103 A	10/1955	Golden et al. ....	70/86	4,633,690 A	1/1987	Foshée .....	70/451
2,739,473 A	3/1956	Quillen .....	70/383	4,899,563 A	2/1990	Martin .....	70/367
2,804,765 A	9/1957	Biblin .....	70/362	4,920,774 A	5/1990	Martin .....	70/367
2,922,298 A	1/1960	Wiener .....	70/367	5,121,619 A	6/1992	Martin .....	70/371
2,980,463 A *	4/1961	Russell et al. ....	70/450	D339,280 S *	9/1993	Bray et al. ....	D8/301
3,036,850 A *	5/1962	Schmod .....	70/450	5,265,453 A	11/1993	Konii et al. ....	70/379 R
3,089,329 A	5/1963	Kerr .....	70/135	D373,298 S *	9/1996	Miche et al. ....	D8/302
3,141,319 A	7/1964	Schlage .....	70/81	5,657,652 A	8/1997	Martin .....	70/85
3,263,461 A	8/1966	Tartaglia .....	70/383	D433,920 S *	11/2000	Chang .....	D8/331
3,276,232 A	10/1966	Bourgeois .....	70/370	D461,700 S *	8/2002	Meredith .....	D8/344

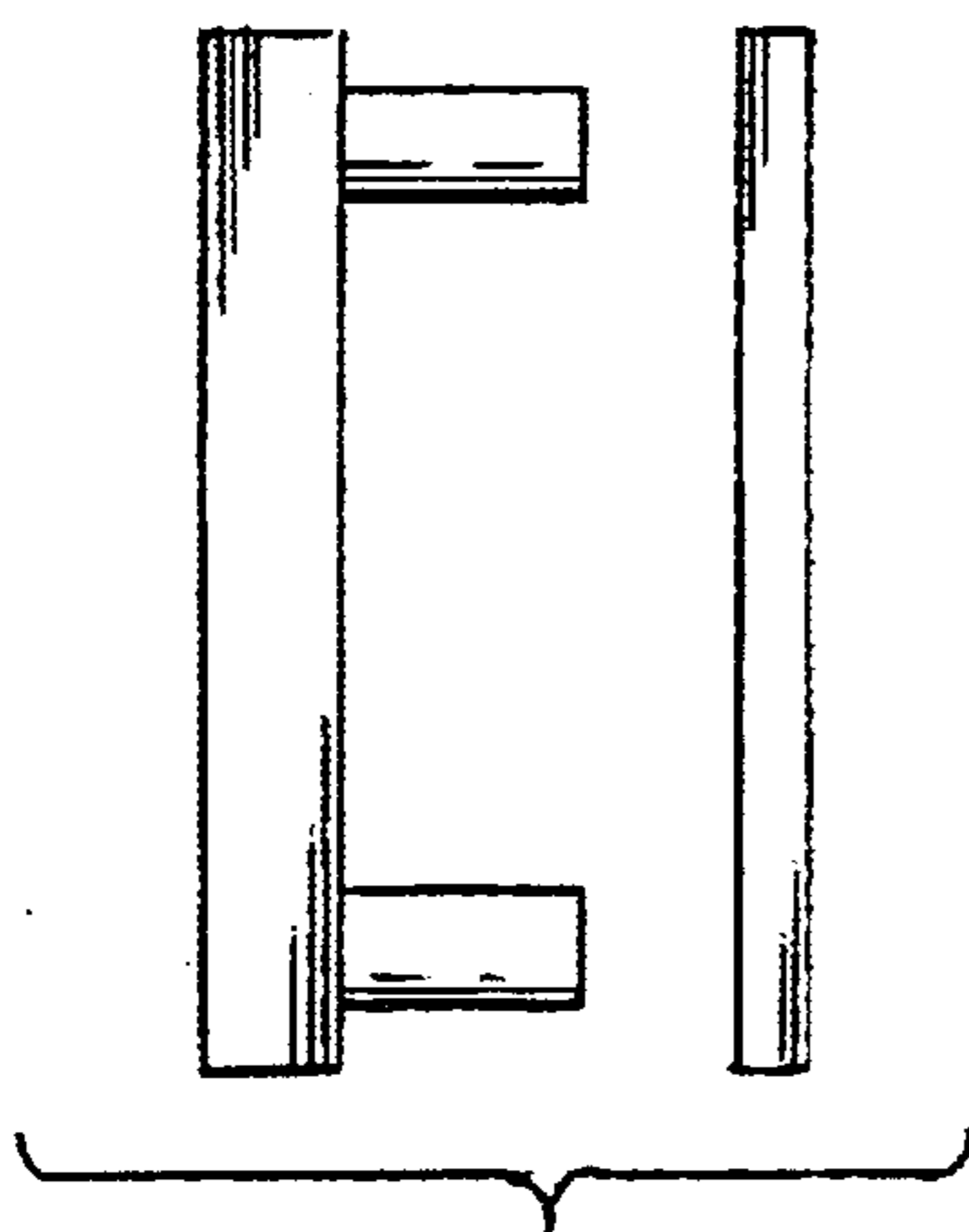
\* cited by examiner



*FIG. 1*



*FIG. 2*



*FIG. 3*

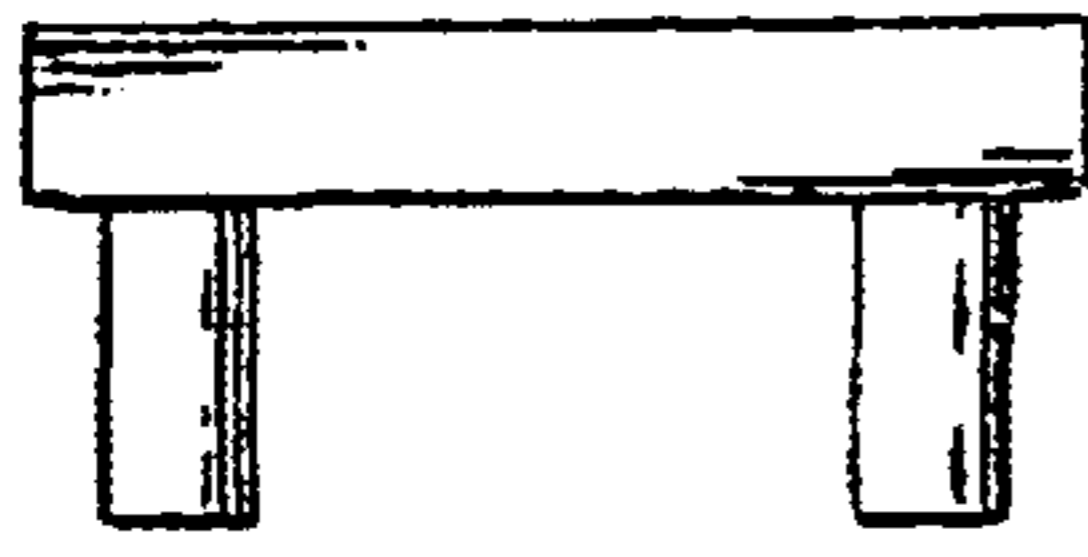


FIG. 4

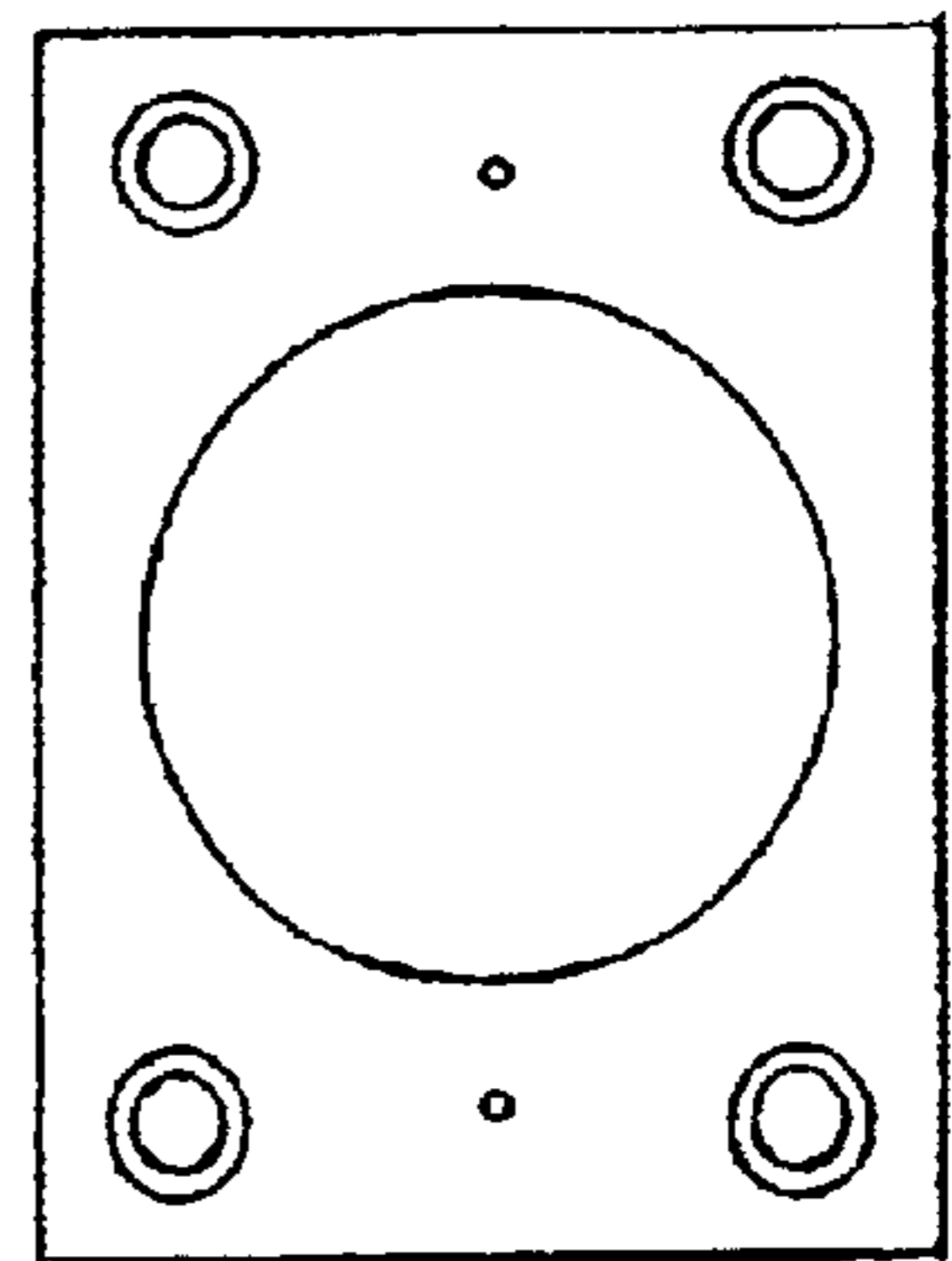


FIG. 5

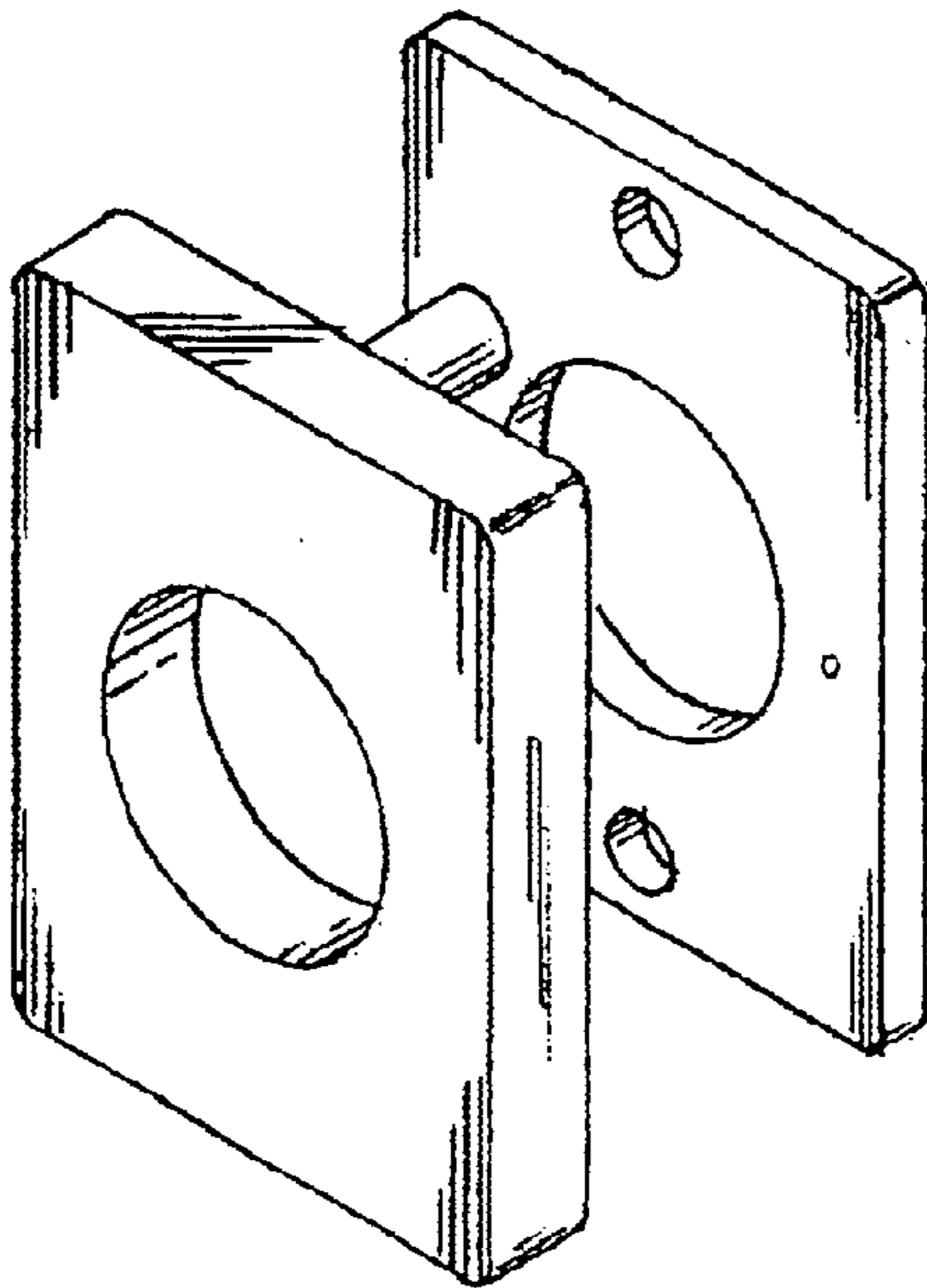


FIG. 6

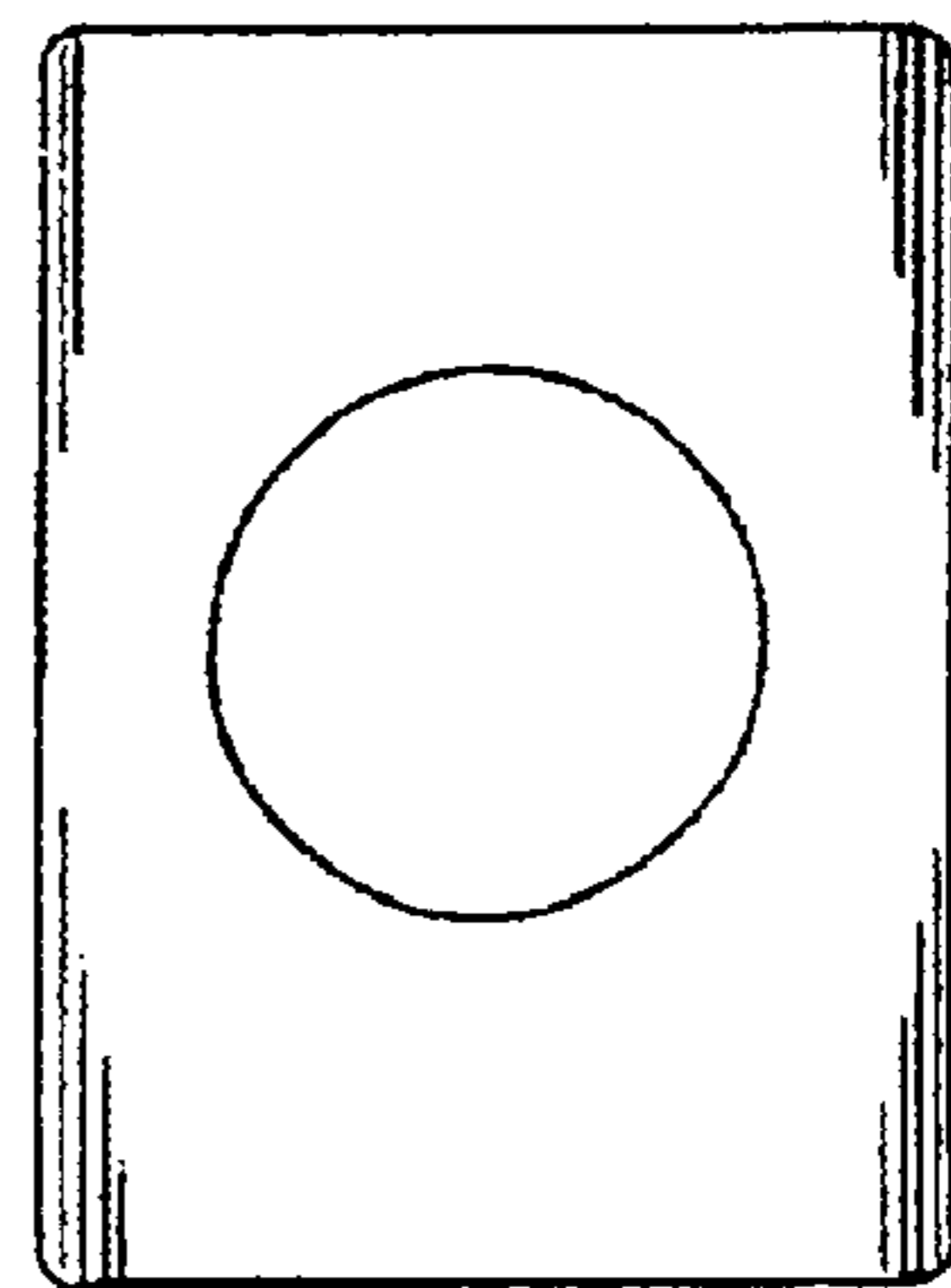
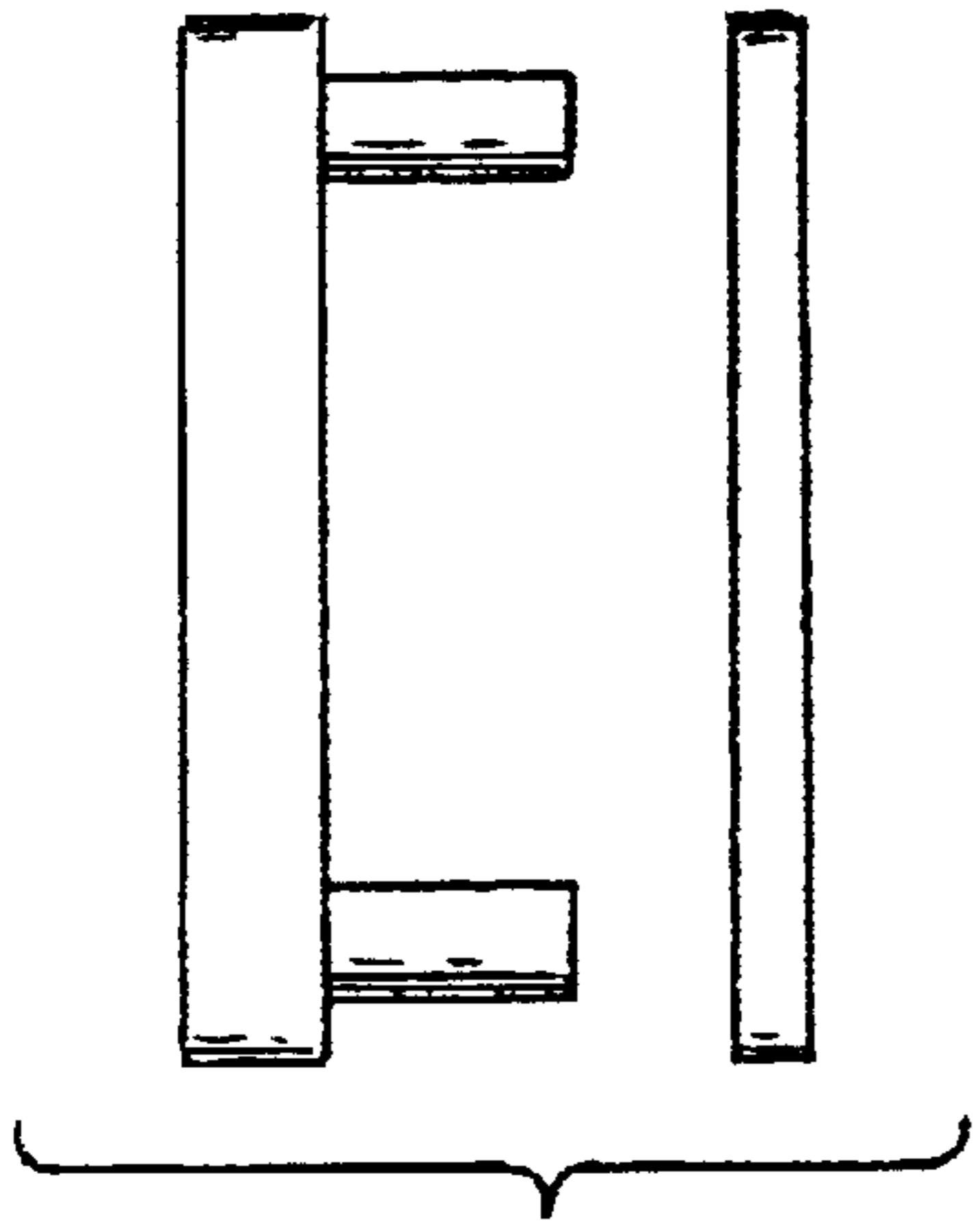
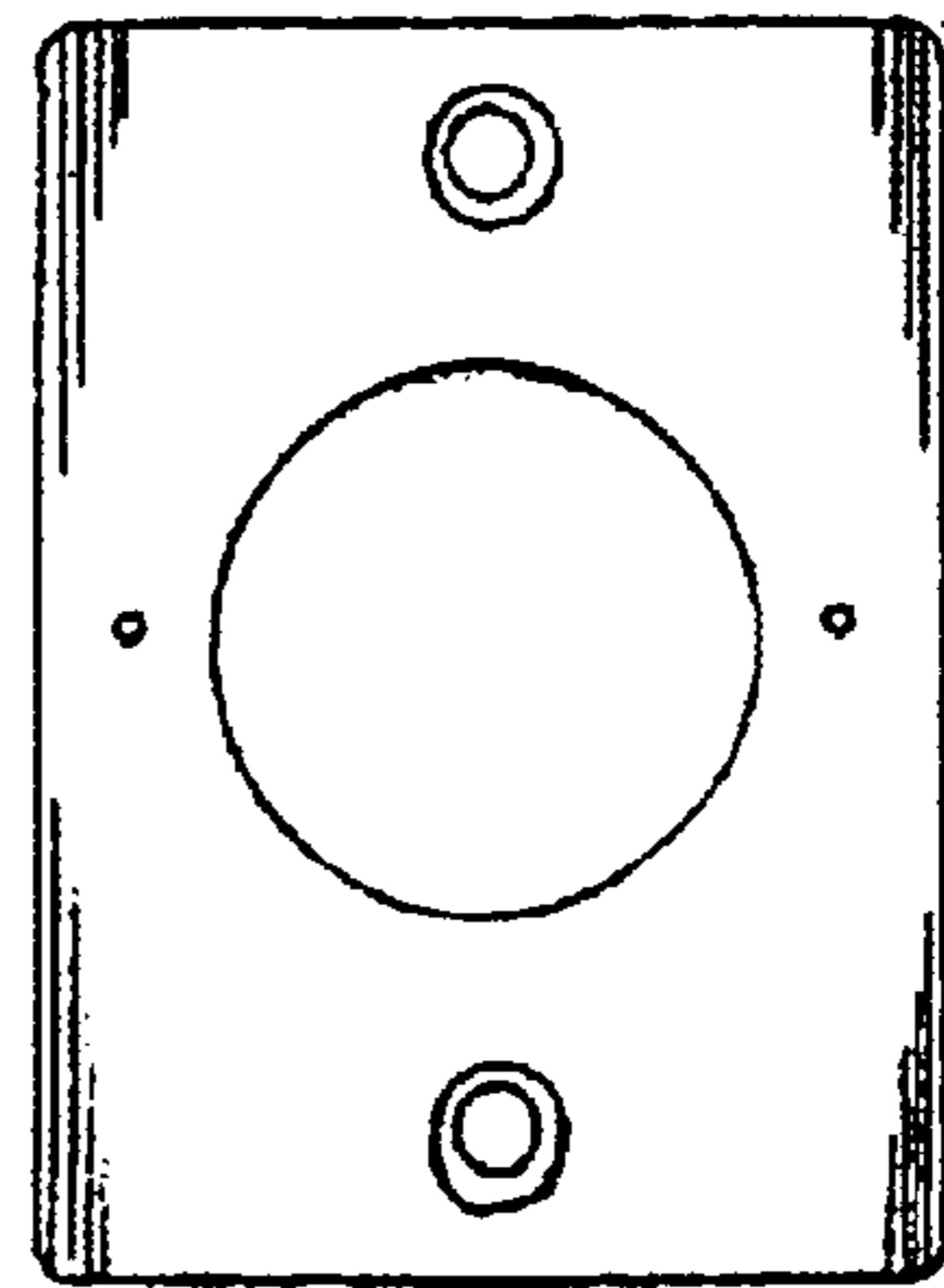


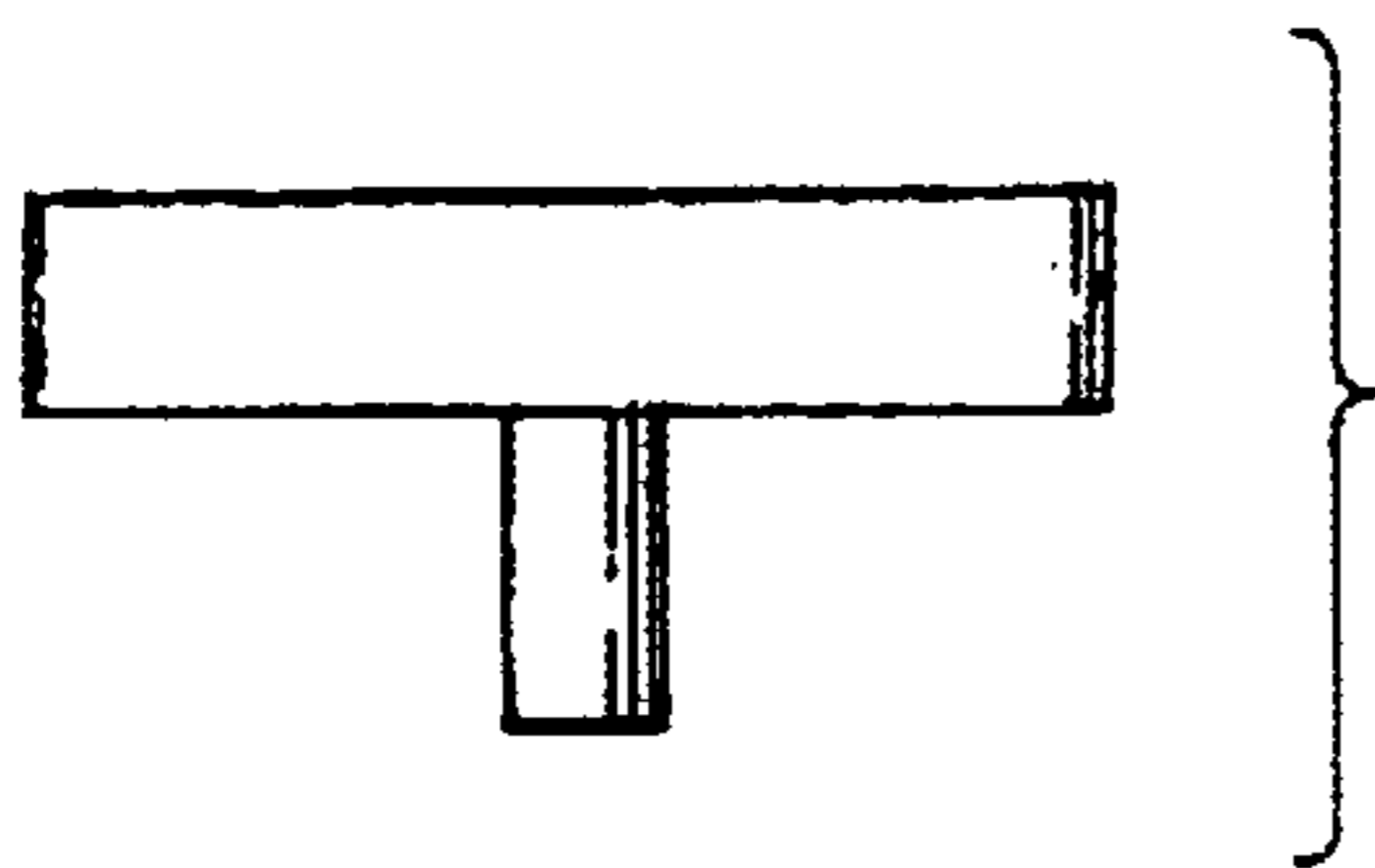
FIG. 7



*FIG. 8*



*FIG. 9*



*FIG. 10*