



US00D490684S

(12) **United States Design Patent** (10) **Patent No.:** **US D490,684 S**  
**Settele** (45) **Date of Patent:** **\*\* Jun. 1, 2004**

(54) **LOCKING MECHANISM**

(75) Inventor: **Ignaz Settele**, Kaufbeuren (DE)

(73) Assignee: **Maxpat Trading & Marketing (Far East) Limited** (HK)

(\*\*) Term: **14 Years**

(21) Appl. No.: **29/164,917**

(22) Filed: **Jul. 31, 2002**

(51) **LOC (7) Cl.** ..... **08-07**

(52) **U.S. Cl.** ..... **D8/339**

(58) **Field of Search** ..... D8/330, 331, 336-342, D8/343, 344, 345, 354; 70/14, 51, 49, 230, 231, 232, 258, 289, 260, 317, 318, 319, 444; 292/8, 24-25, 254, 288

(56) **References Cited**

**U.S. PATENT DOCUMENTS**

1,662,294	A	*	3/1928	Bettinardi	.....	70/268
1,804,678	A	*	5/1931	Duffy	.....	70/230
1,858,893	A	*	5/1932	Heyer	.....	70/259
1,887,367	A	*	11/1932	Wise	.....	70/230
RE19,993	E	*	6/1936	Jandus et al.	.....	70/260
D229,479	S	*	12/1973	Borsani	.....	D8/339
3,955,842	A	*	5/1976	Edwards	.....	D8/339 X
4,768,361	A	*	9/1988	Derman	.....	70/259
D457,113	S	*	5/2002	Zapushek et al.	.....	D8/339

\* cited by examiner

*Primary Examiner*—Prabhakar Deshmukh

(74) *Attorney, Agent, or Firm*—Qstrolenk, Faber, Gerb & Soffen, LLP

(57) **CLAIM**

The ornamental design for a “locking mechanism”, as shown and described.

**DESCRIPTION**

FIG. 1 is a perspective view of a “locking mechanism” residing in a tong showing my new design, the locking mechanism disposed in a locked configuration;

FIG. 2 is a front view thereof;

FIG. 3 is a rear view thereof;

FIG. 4 is a side view thereof;

FIG. 5 is another side view thereof;

FIG. 6 is a top view thereof;

FIG. 7 is a bottom view thereof;

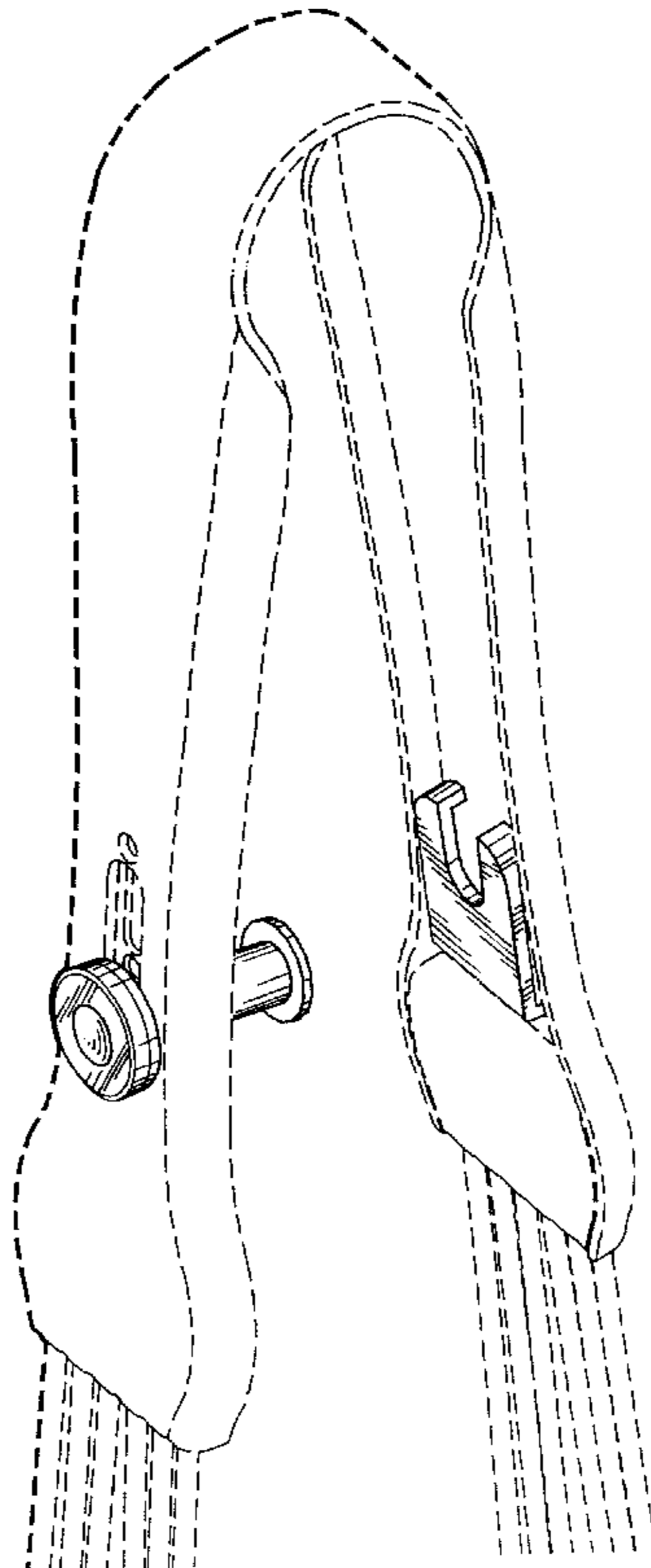
FIG. 8 is an enlarged perspective view showing a portion of the tong shown in FIG. 1 with the locking mechanism thereof;

FIG. 9 is a perspective view of the locking mechanism shown in FIG. 1 disposed in an unlocked configuration thereof; and,

FIG. 10 is an enlarged perspective view showing a portion of the tong as shown in FIG. 8 with the locking mechanism disposed in an unlocked configuration thereof.

The part of the “locking mechanism” shown in phantom lines depicts the environment of my new design and forms no part of my design.

**1 Claim, 9 Drawing Sheets**



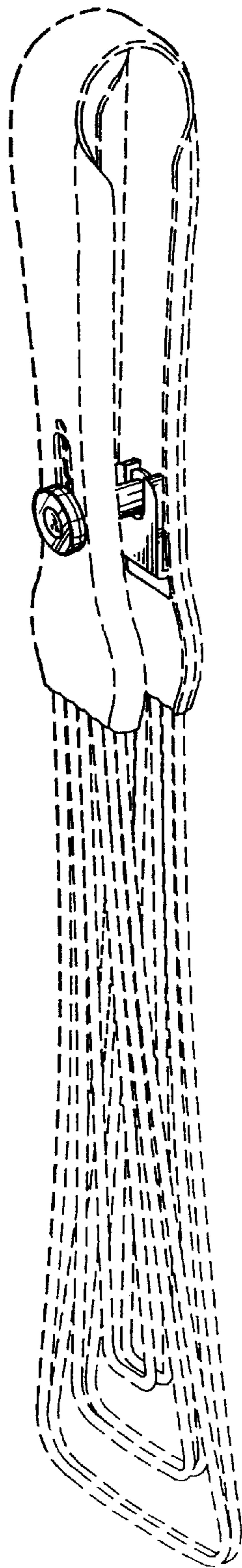


FIG. 1

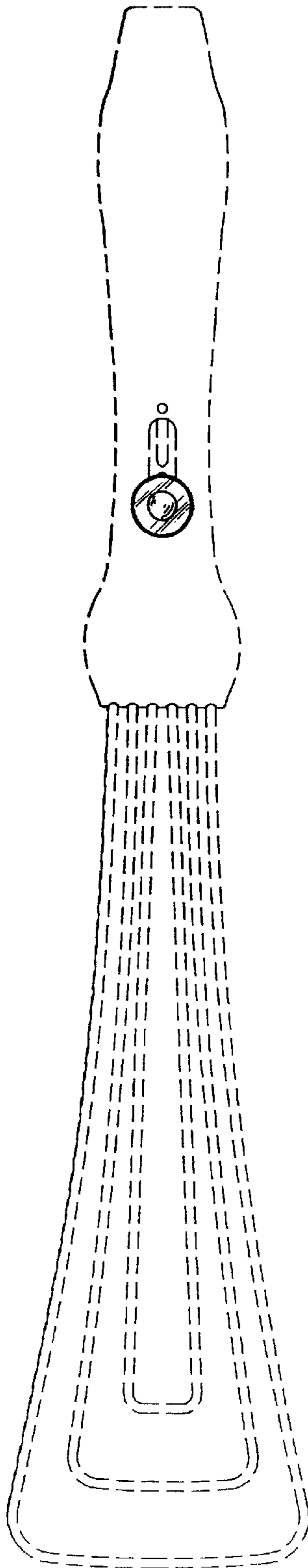


FIG. 2

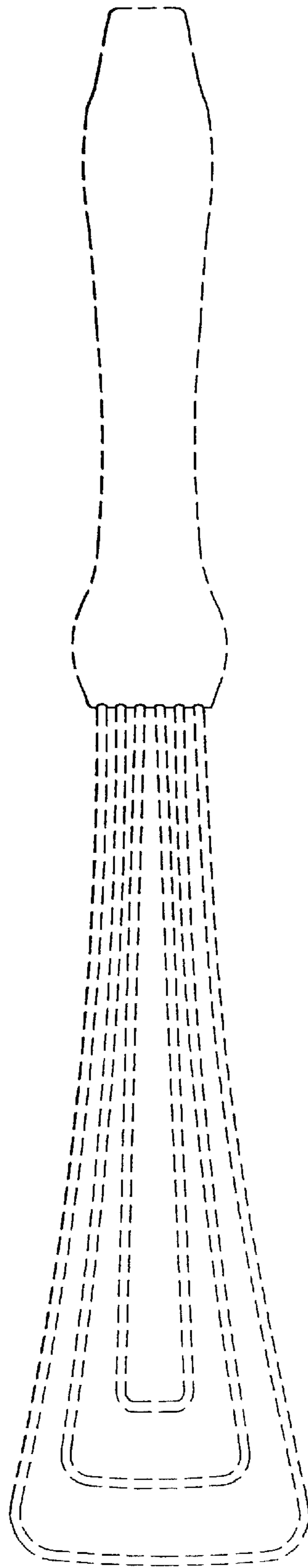


FIG. 3

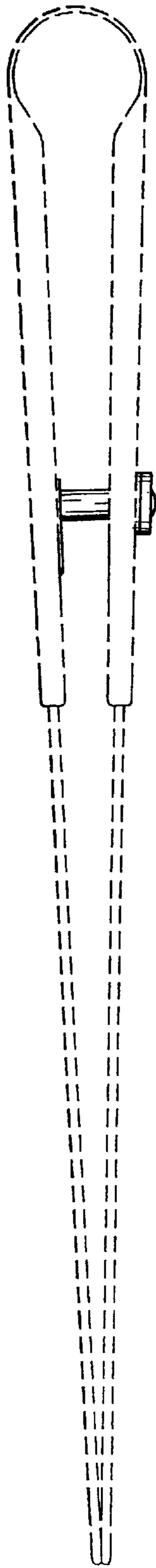


FIG. 4

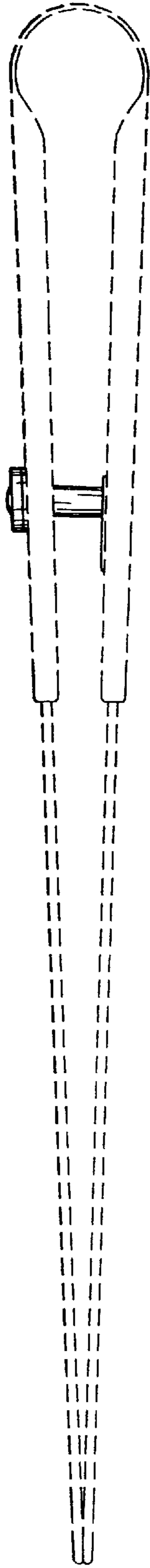


FIG. 5

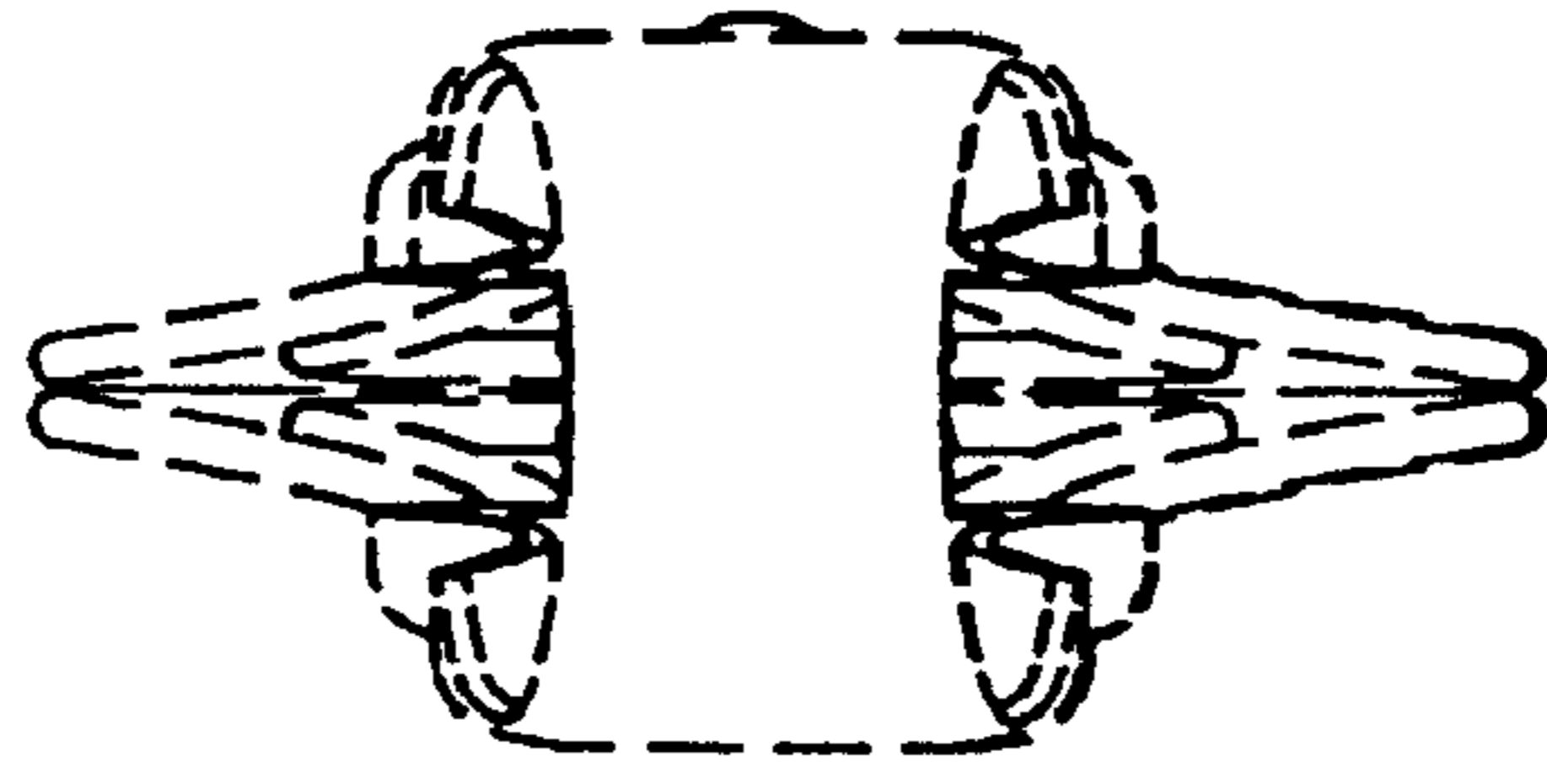


FIG. 6

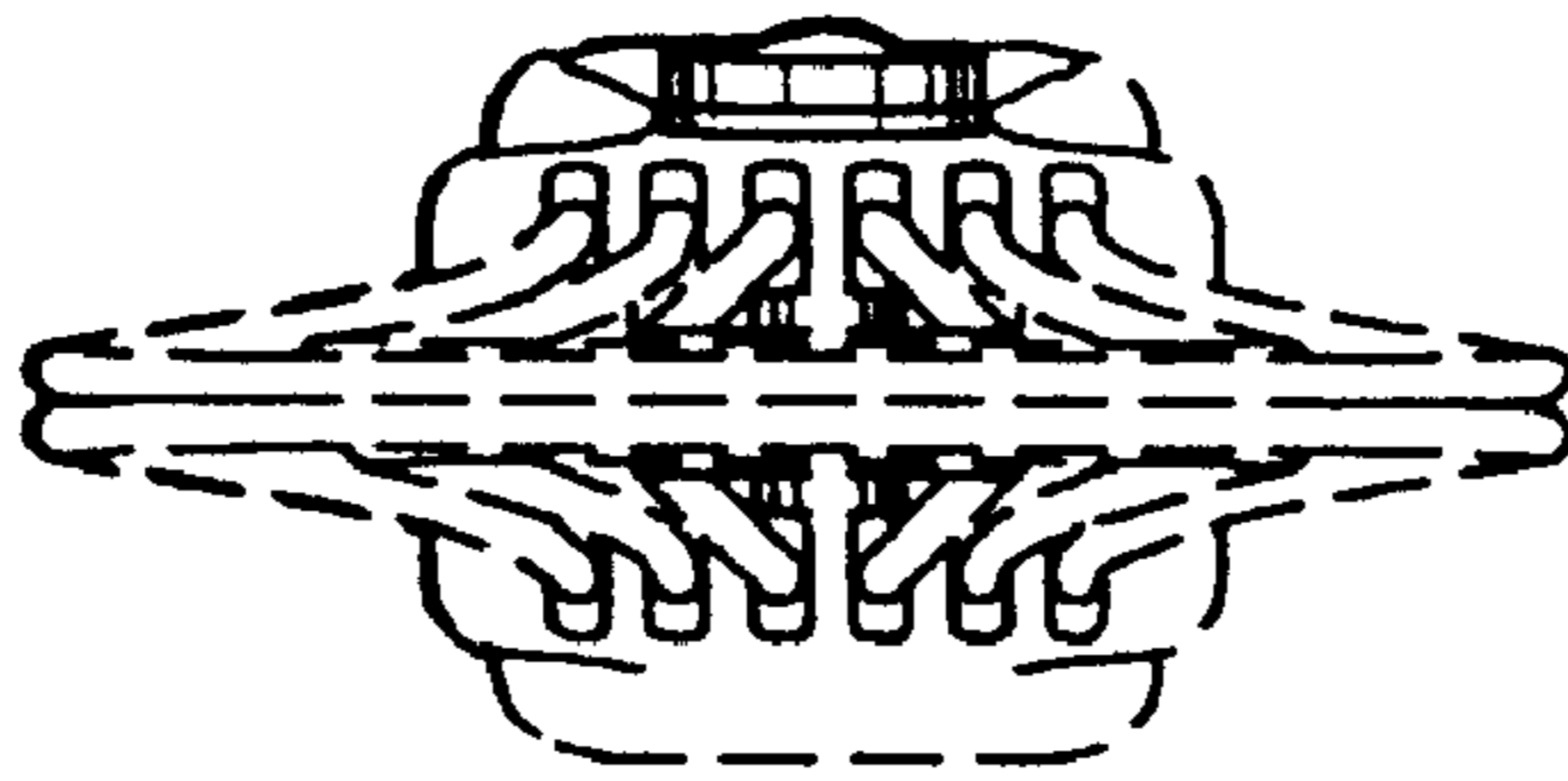


FIG. 7

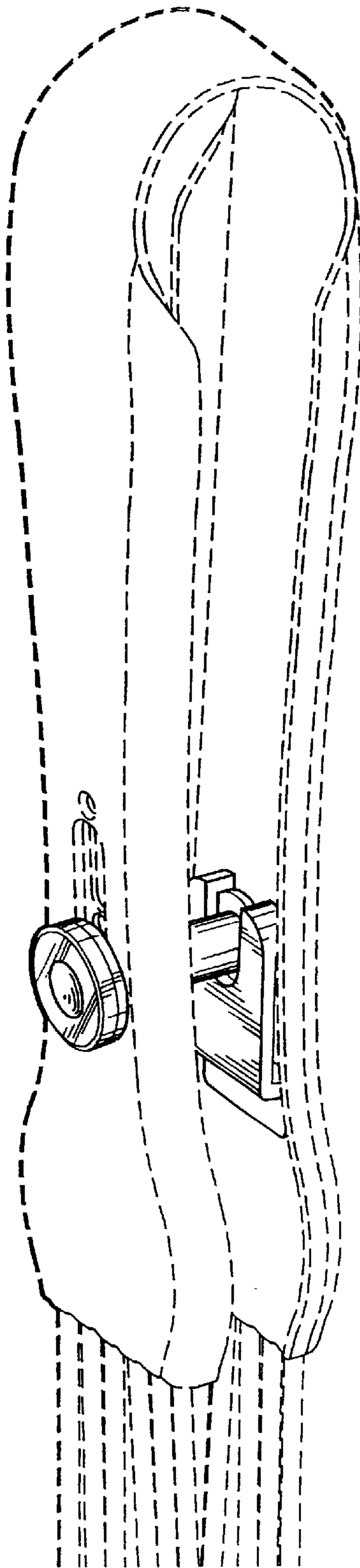


FIG. 8



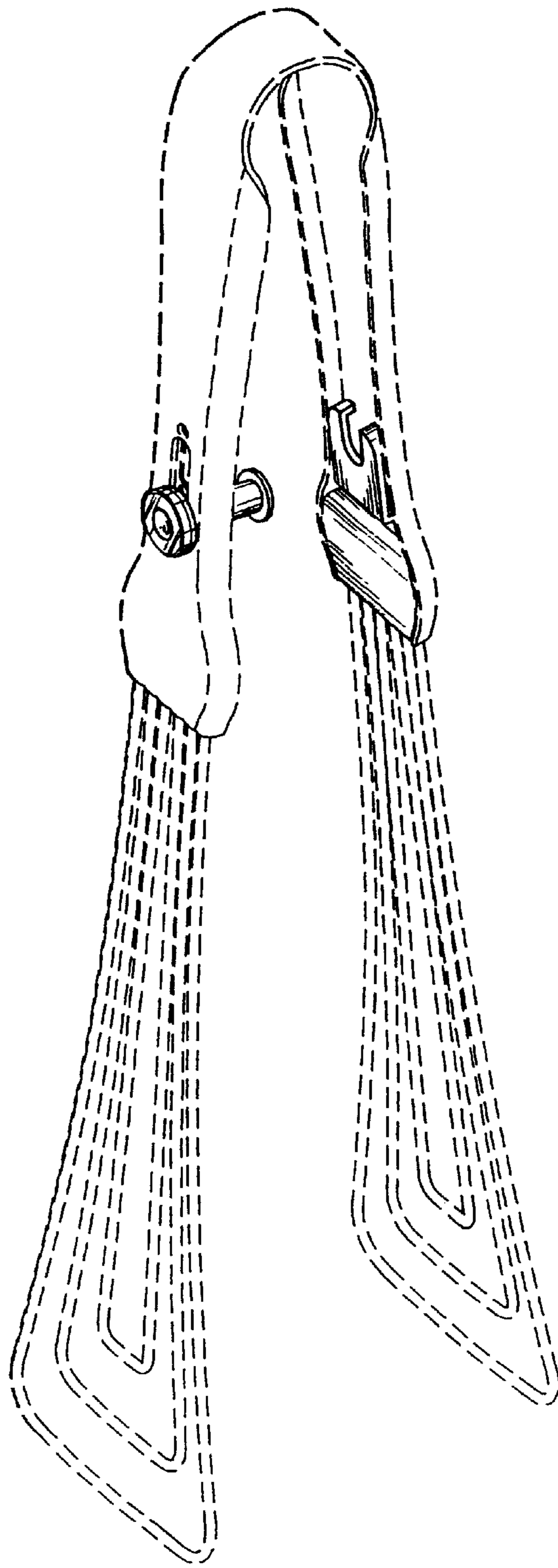


FIG. 9

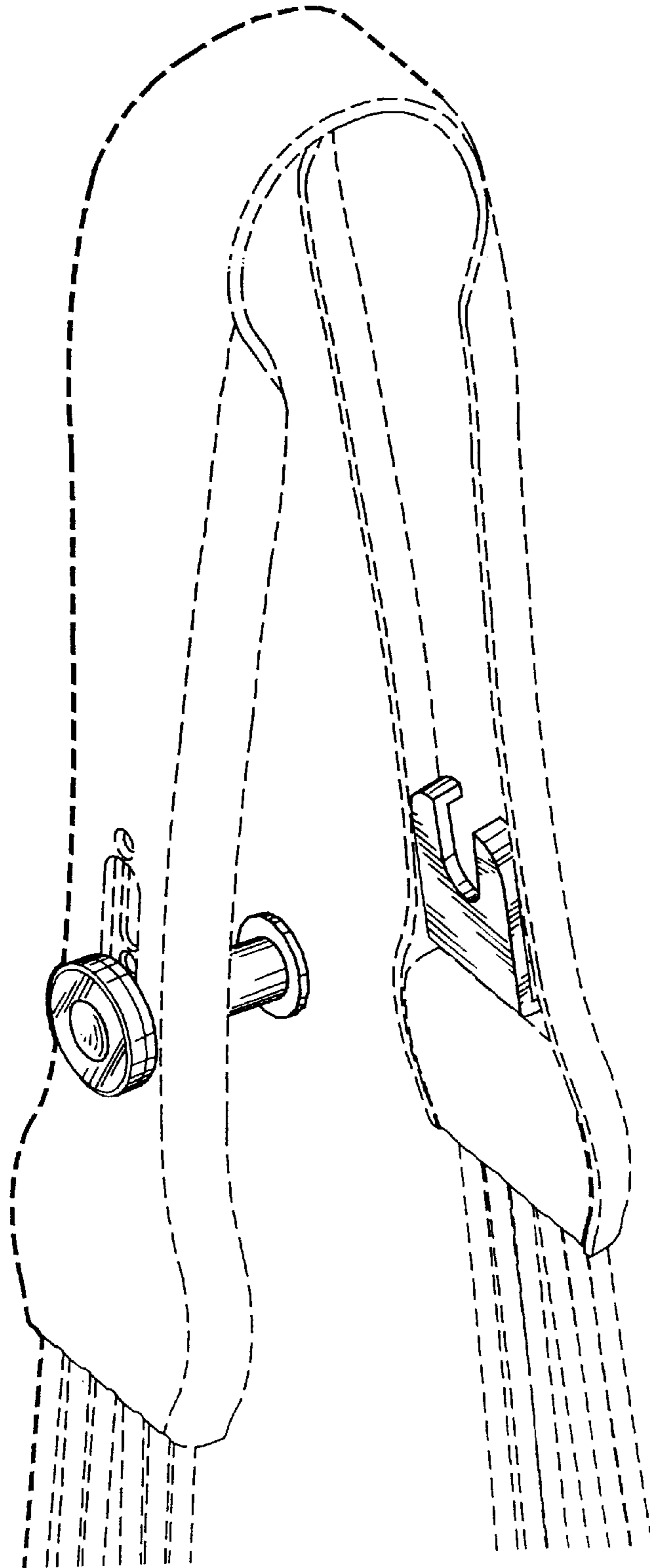


FIG. 10