



US00D490683S

(12) **United States Design Patent**
Vito

(10) **Patent No.:** **US D490,683 S**

(45) **Date of Patent:** **** Jun. 1, 2004**

(54) **CYCLE LOCK**

(76) **Inventor:** **Robert A. Vito**, 1434 Sugartown Rd.,
Berwyn, PA (US) 19312

(**) **Term:** **14 Years**

(21) **Appl. No.:** **29/166,580**

(22) **Filed:** **Aug. 30, 2002**

(51) **LOC (7) Cl.** **08-07**

(52) **U.S. Cl.** **D8/331**

(58) **Field of Search** D8/330, 331, 334,
D8/343, 349, 352; 20/51-56, 233, 234,
235, 14, 20, 21, 49, 30, 211, 212, 226

(56) **References Cited**

U.S. PATENT DOCUMENTS

596,237	A	*	12/1897	Damon	70/233
1,477,777	A	*	12/1923	Shek	70/53
5,194,845	A	*	3/1993	Sirmon et al.	70/233
D335,814	S	*	5/1993	Dabandjian	D8/343
5,406,812	A	*	4/1995	Jaw	70/233
D358,542	S	*	5/1995	Byrd, Jr.	D8/343
5,505,064	A	*	4/1996	Wang	70/53
5,642,635	A	*	7/1997	Wen-Chyun	70/233
5,823,021	A	*	10/1998	Chang	70/233
D472,450	S	*	4/2003	Vito	D8/331
6,619,084	B2	*	9/2003	Kuo	70/233

* cited by examiner

Primary Examiner—Prabhakar Deshmukh
(74) *Attorney, Agent, or Firm*—Volpe and Koenig, P.C.

(57) **CLAIM**

The ornamental design for a cycle lock, as shown and described.

DESCRIPTION

FIG. 1 is a perspective view of a cycle lock according to a first preferred embodiment of my new design;

FIG. 2 is a top plan view of the cycle lock of FIG. 1;
 FIG. 3 is a bottom plan elevational view of the cycle lock of FIG. 1;
 FIG. 4 is a front elevational view of the cycle lock of FIG. 1;
 FIG. 5 is a rear elevational view of the cycle lock of FIG. 1;
 FIG. 6 is a left side elevational view of the cycle lock of FIG. 1;
 FIG. 7 is a right side elevational view of the cycle lock of FIG. 1;
 FIG. 8 is a perspective view of a cycle lock according to a second preferred embodiment of my new design;
 FIG. 9 is a top plan view of the cycle lock of FIG. 8;
 FIG. 10 is a bottom plan elevational view of the cycle lock of FIG. 8;
 FIG. 11 is a front elevational view of the cycle lock of FIG. 8;
 FIG. 12 is a rear elevational view of the cycle lock of FIG. 8;
 FIG. 13 is a left side elevational view of the cycle lock of FIG. 8;
 FIG. 14 is a right side elevational view of the cycle lock of FIG. 8;
 FIG. 15 is a perspective view of a cycle lock according to a third preferred embodiment of my new design;
 FIG. 16 is a top plan view of the cycle lock of FIG. 15;
 FIG. 17 is a bottom plan elevational view of the cycle lock of FIG. 15;
 FIG. 18 is a front elevational view of the cycle lock of FIG. 15;
 FIG. 19 is a rear elevational view of the cycle lock of FIG. 15;
 FIG. 20 is a left side elevational view of the cycle lock of FIG. 15; and,
 FIG. 21 is a right side elevational view of the cycle lock of FIG. 15.

The dashed lines in FIGS. 1-21 represent environment and are for illustrative purposes only and do not constitute part of the claimed design. The phantom lines in FIGS. 1-21 define the border between claimed and unclaimed matter.

1 Claim, 9 Drawing Sheets

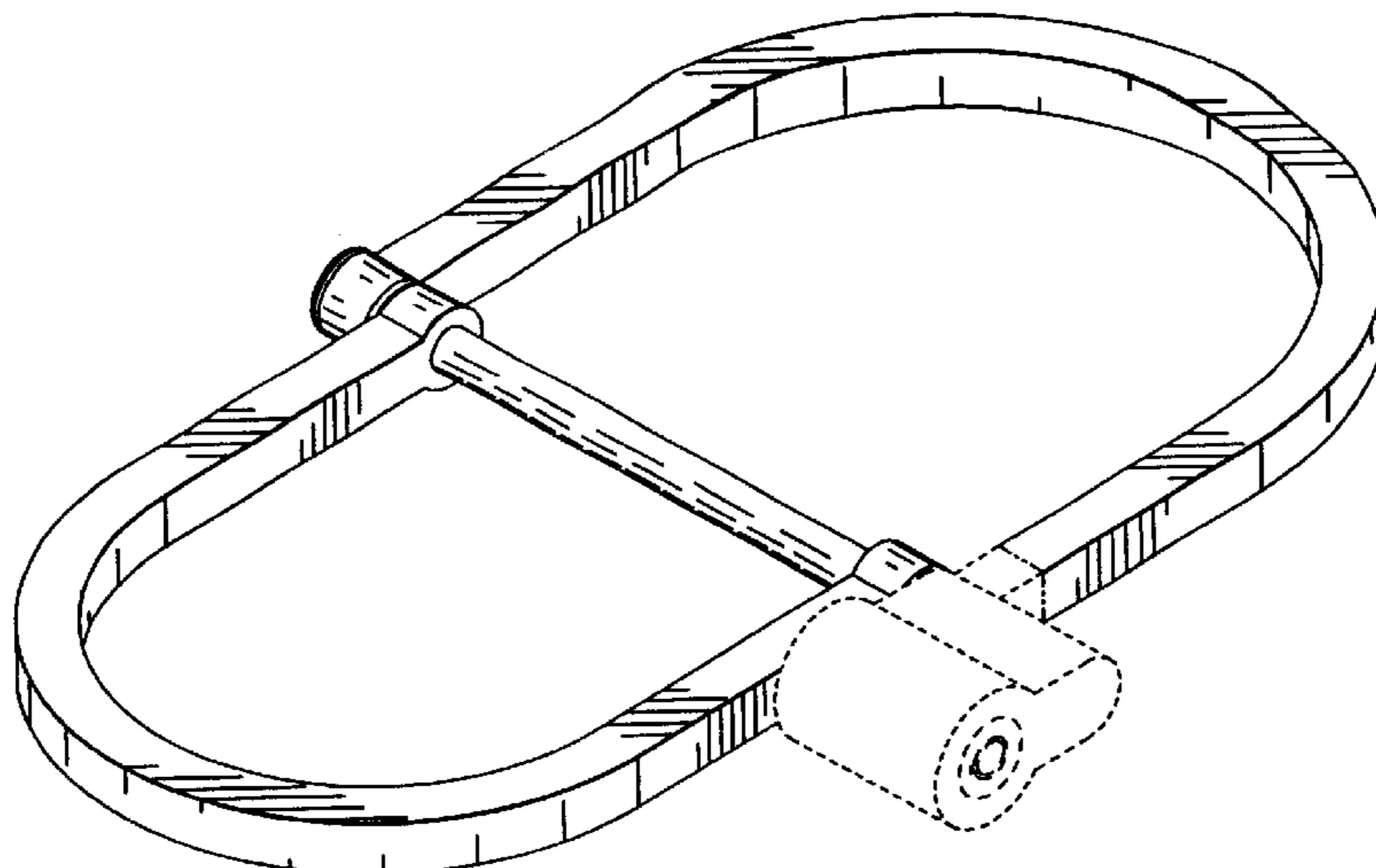


FIG. 1

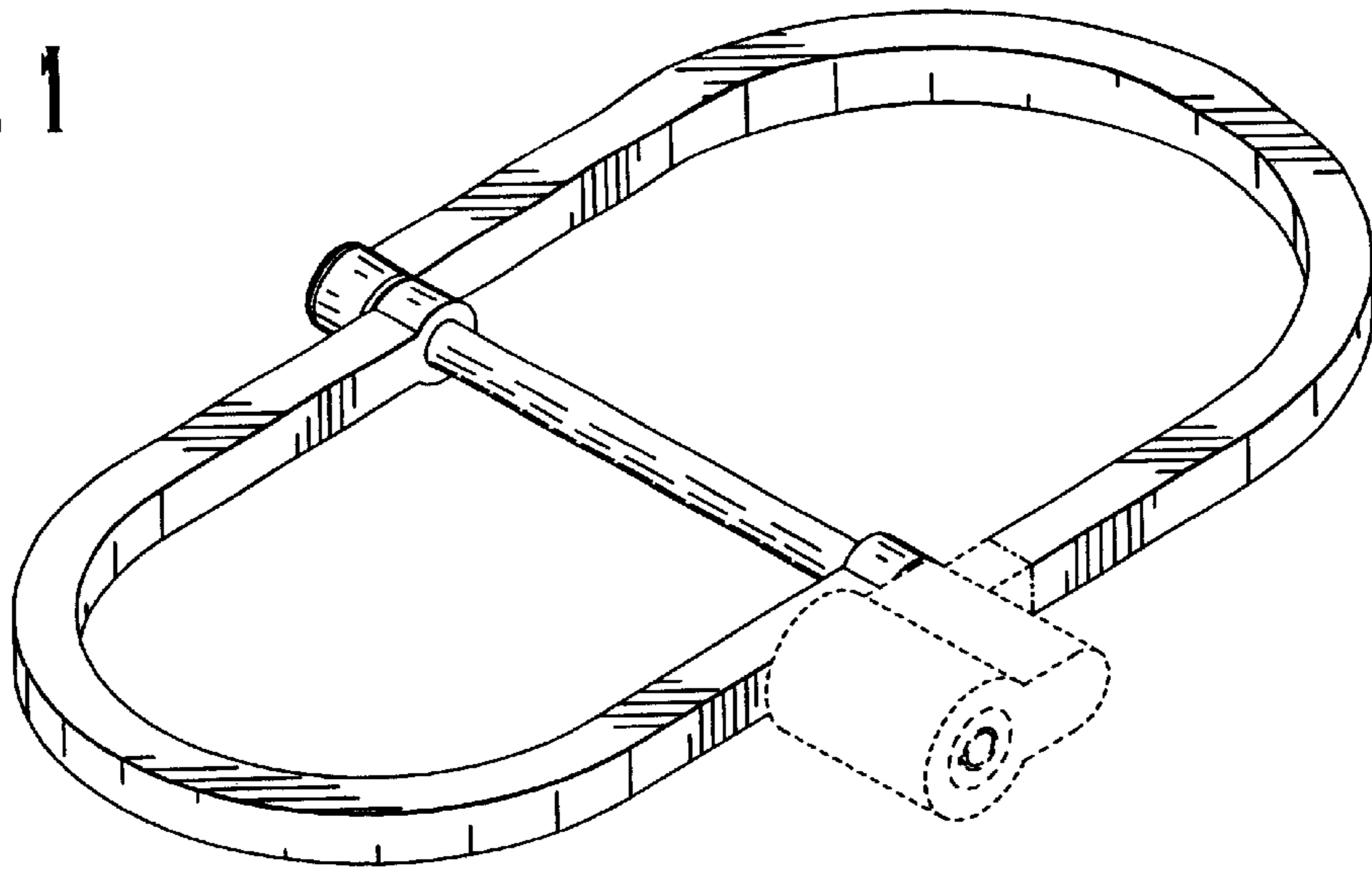


FIG. 2

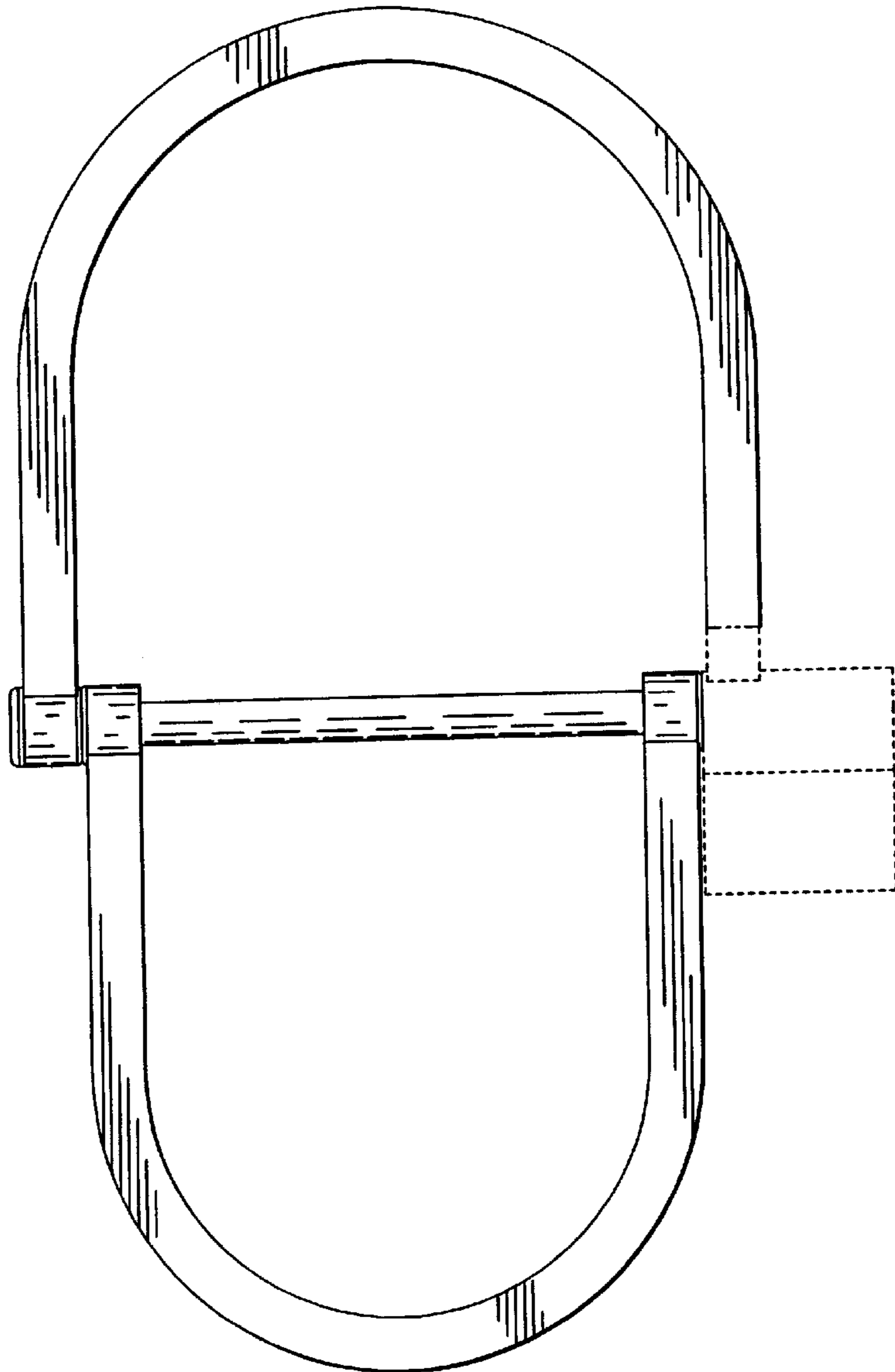


FIG. 3

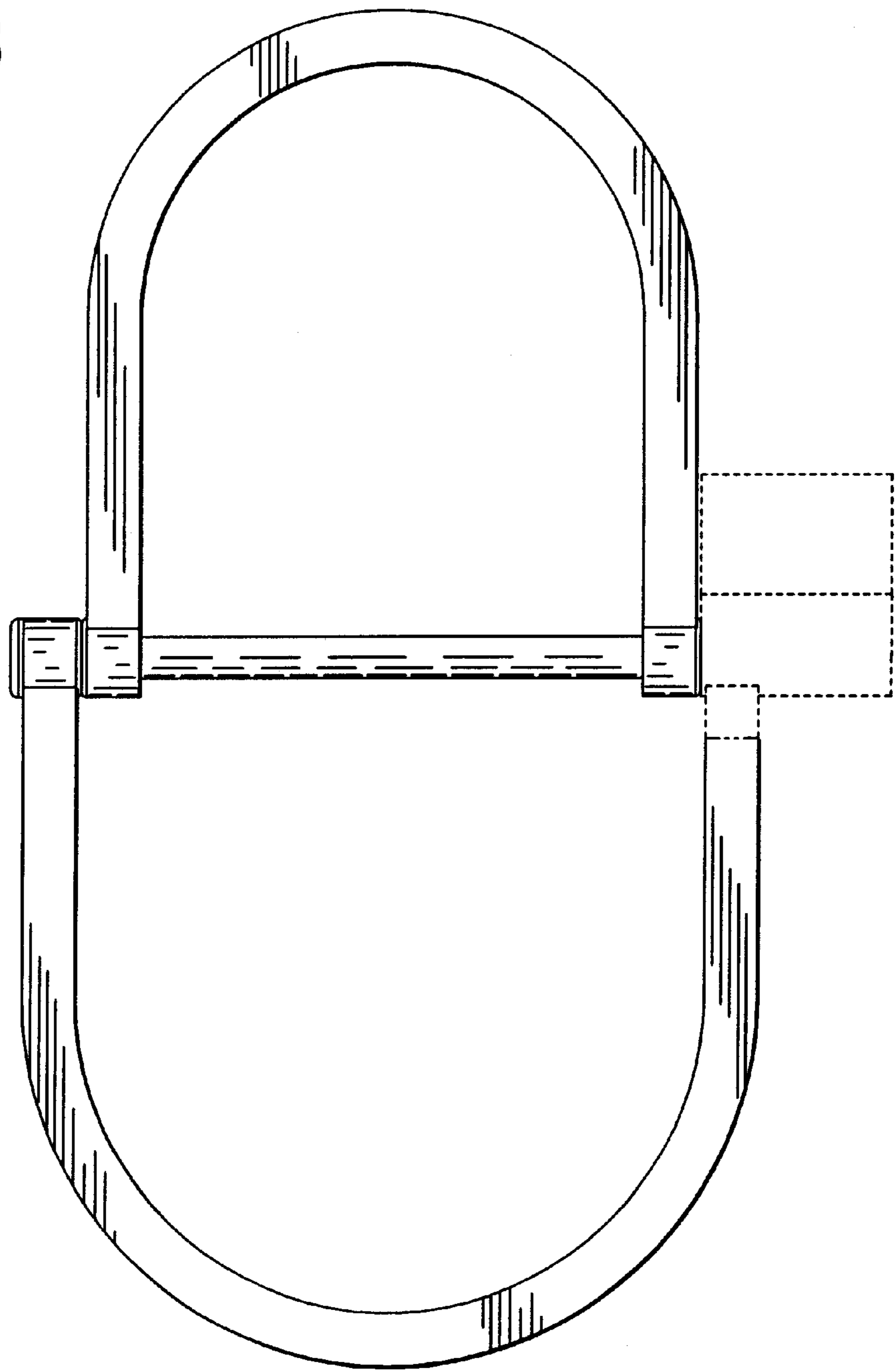


FIG. 4

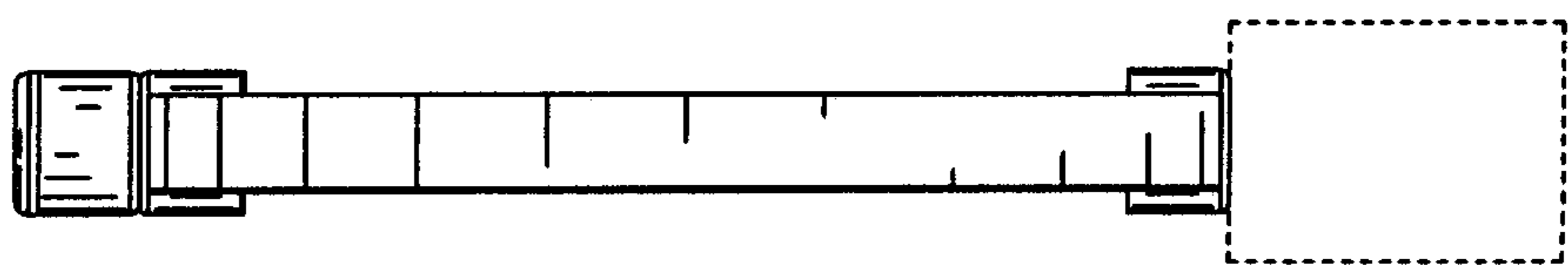


FIG. 5

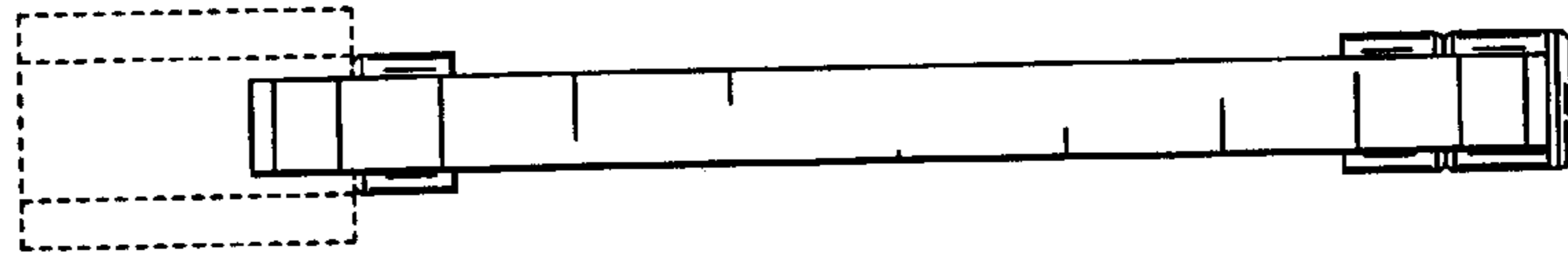


FIG. 6

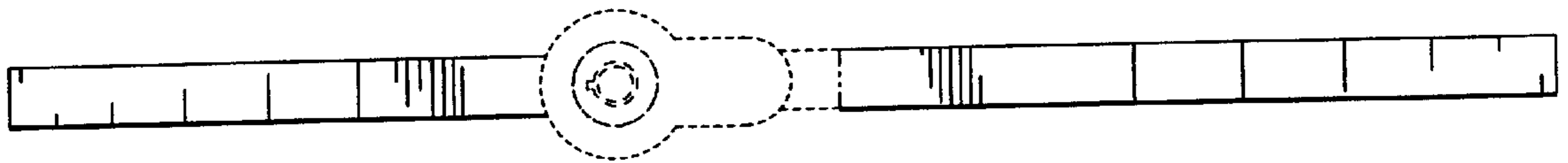


FIG. 7

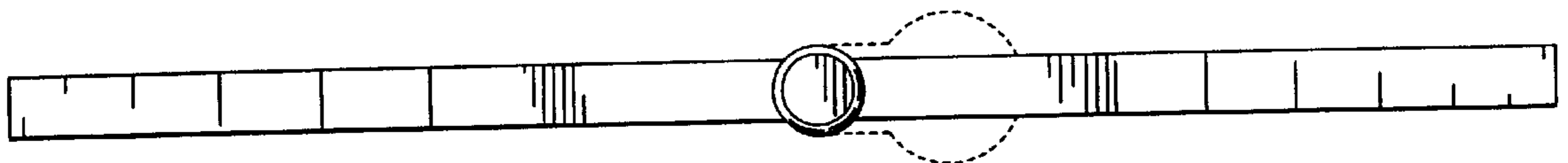


FIG. 8

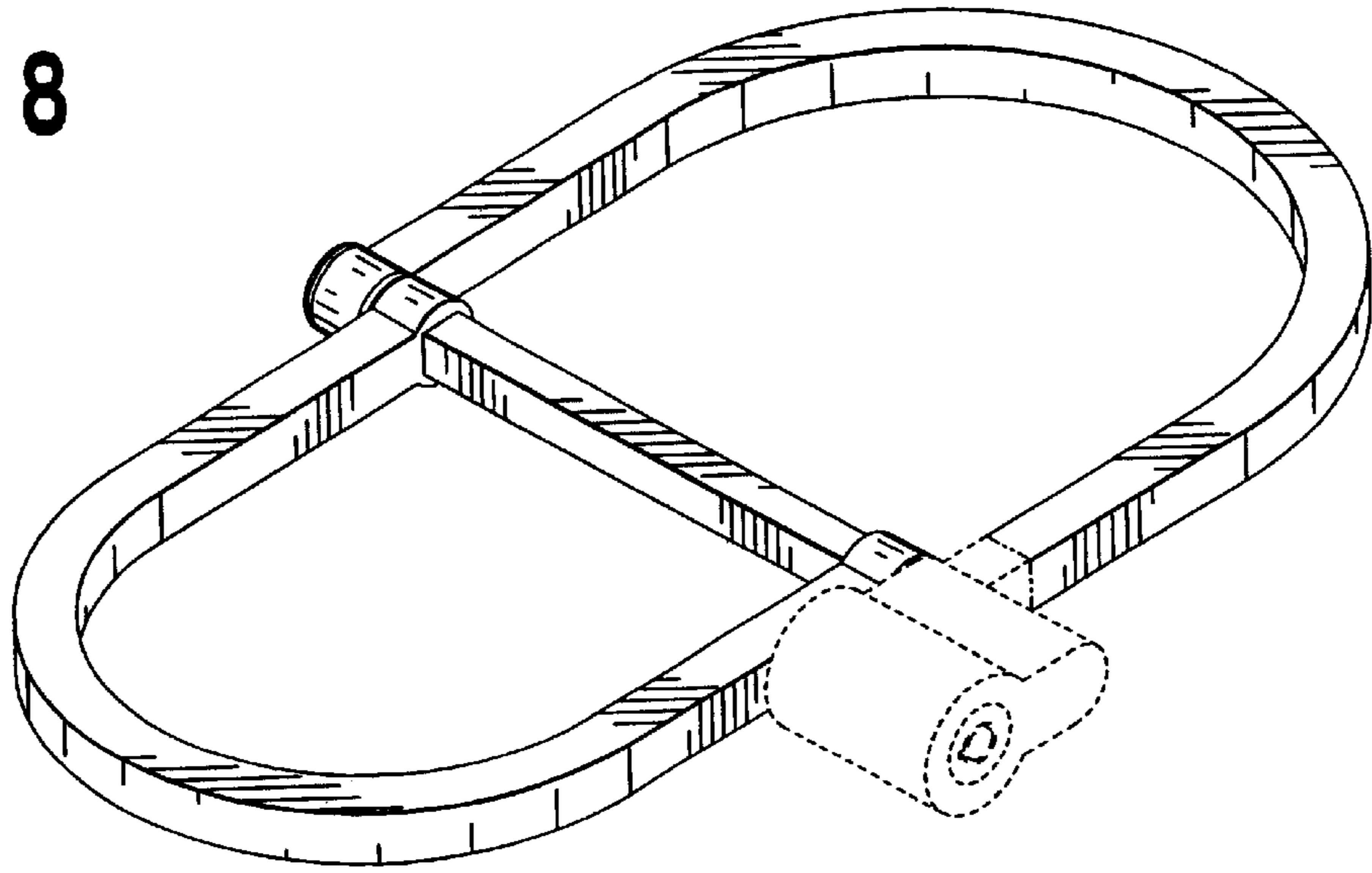


FIG. 9

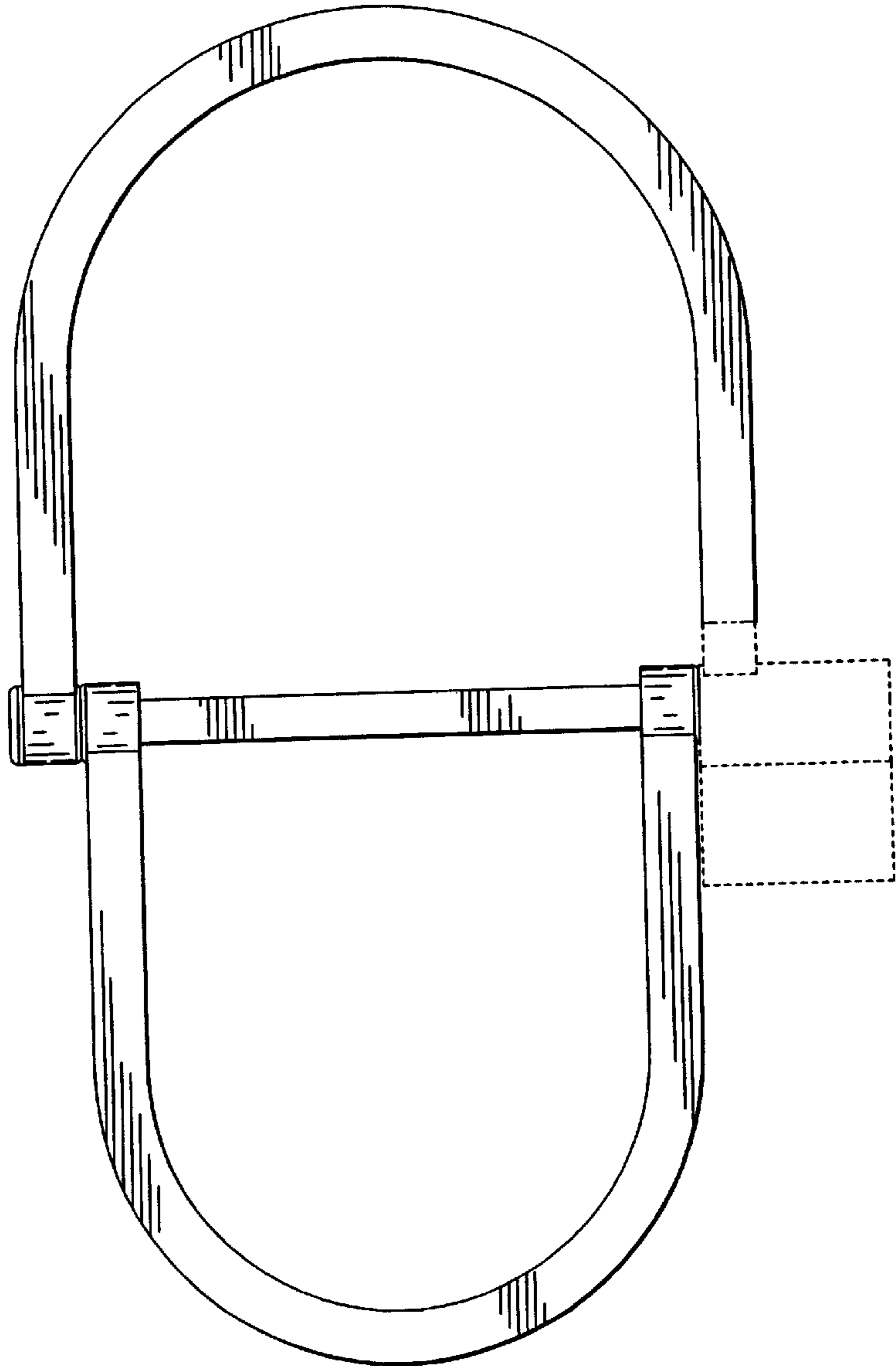


FIG. 10

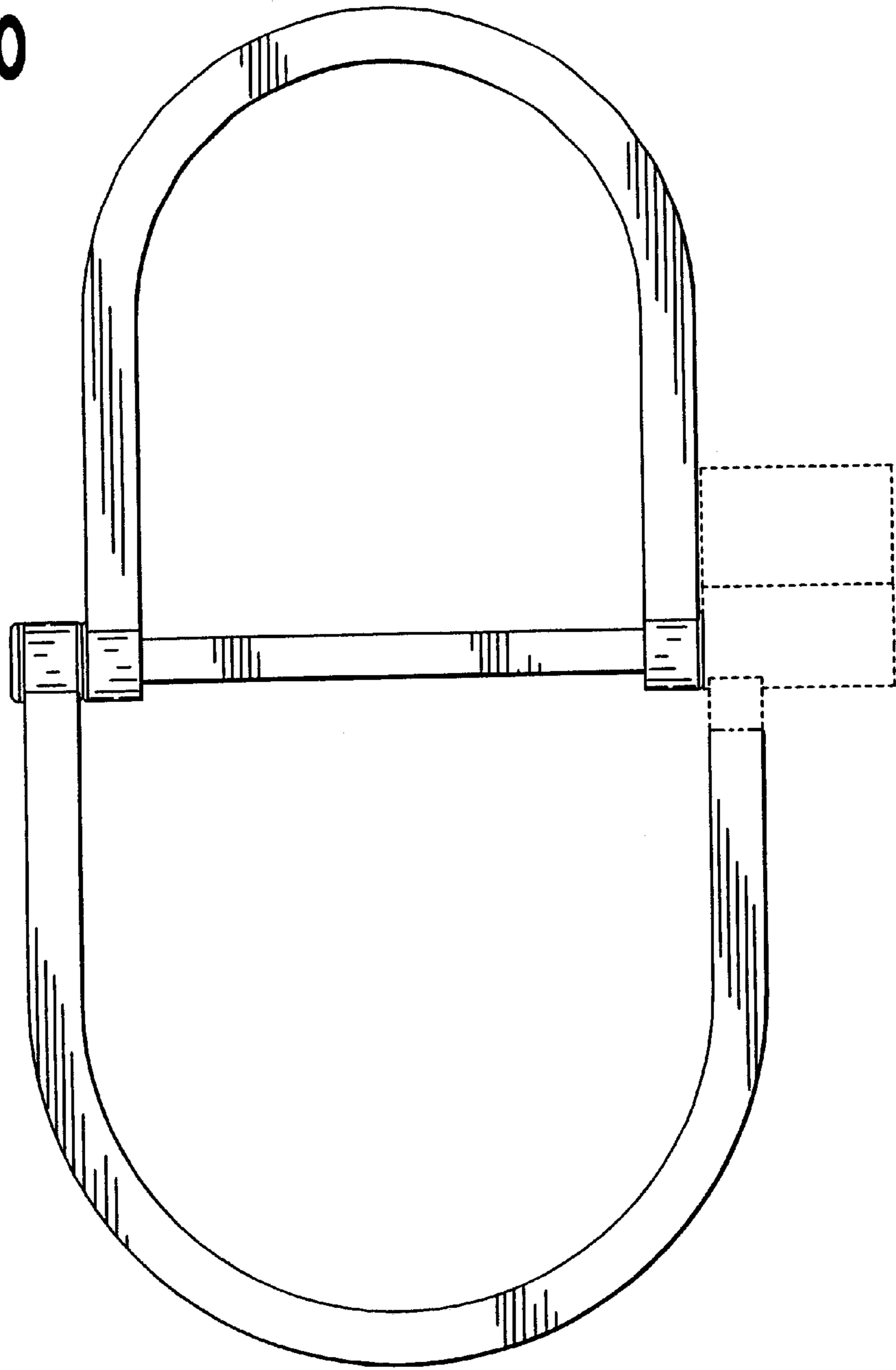


FIG. 11

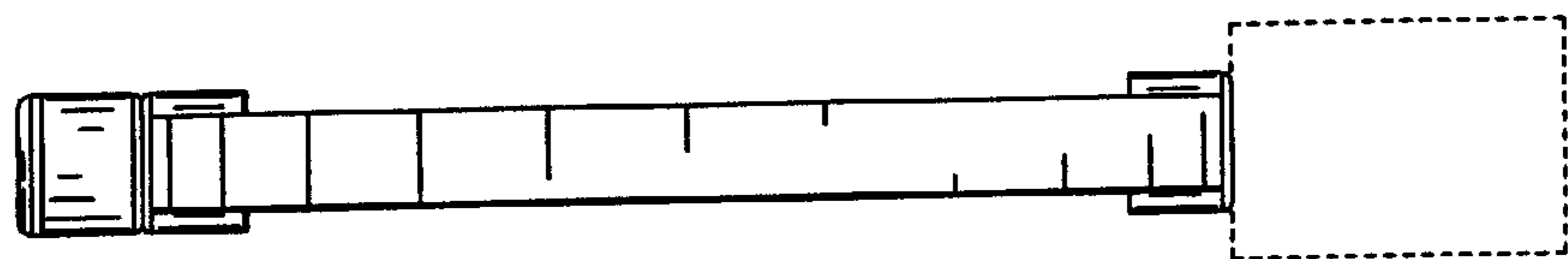


FIG. 12

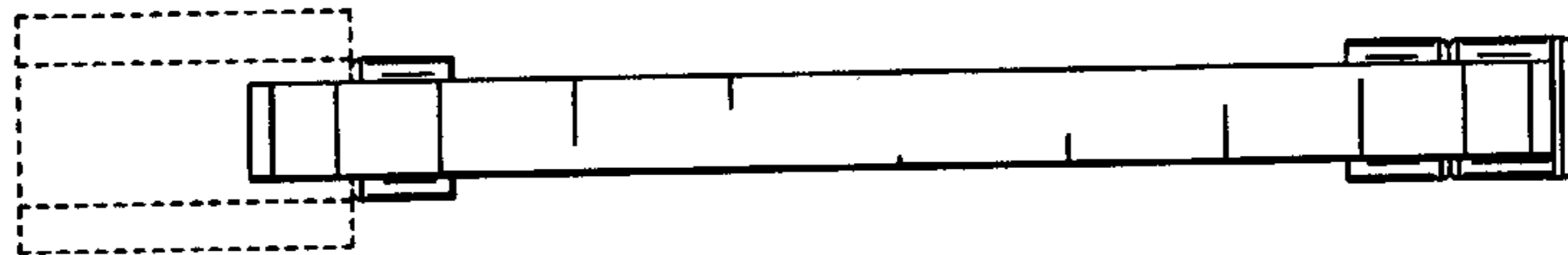


FIG. 13

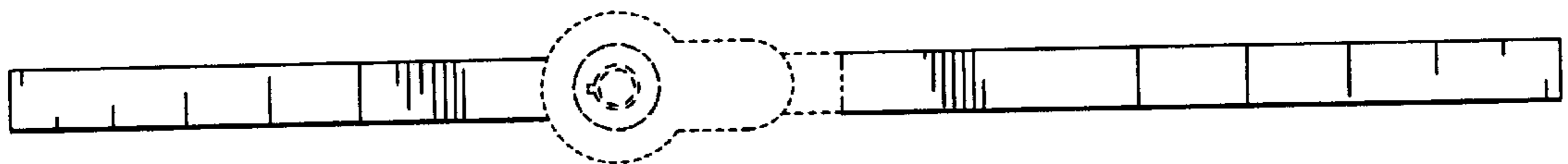


FIG. 14

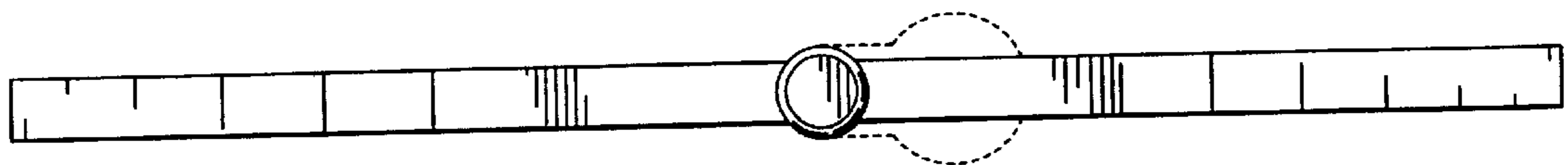


FIG. 15

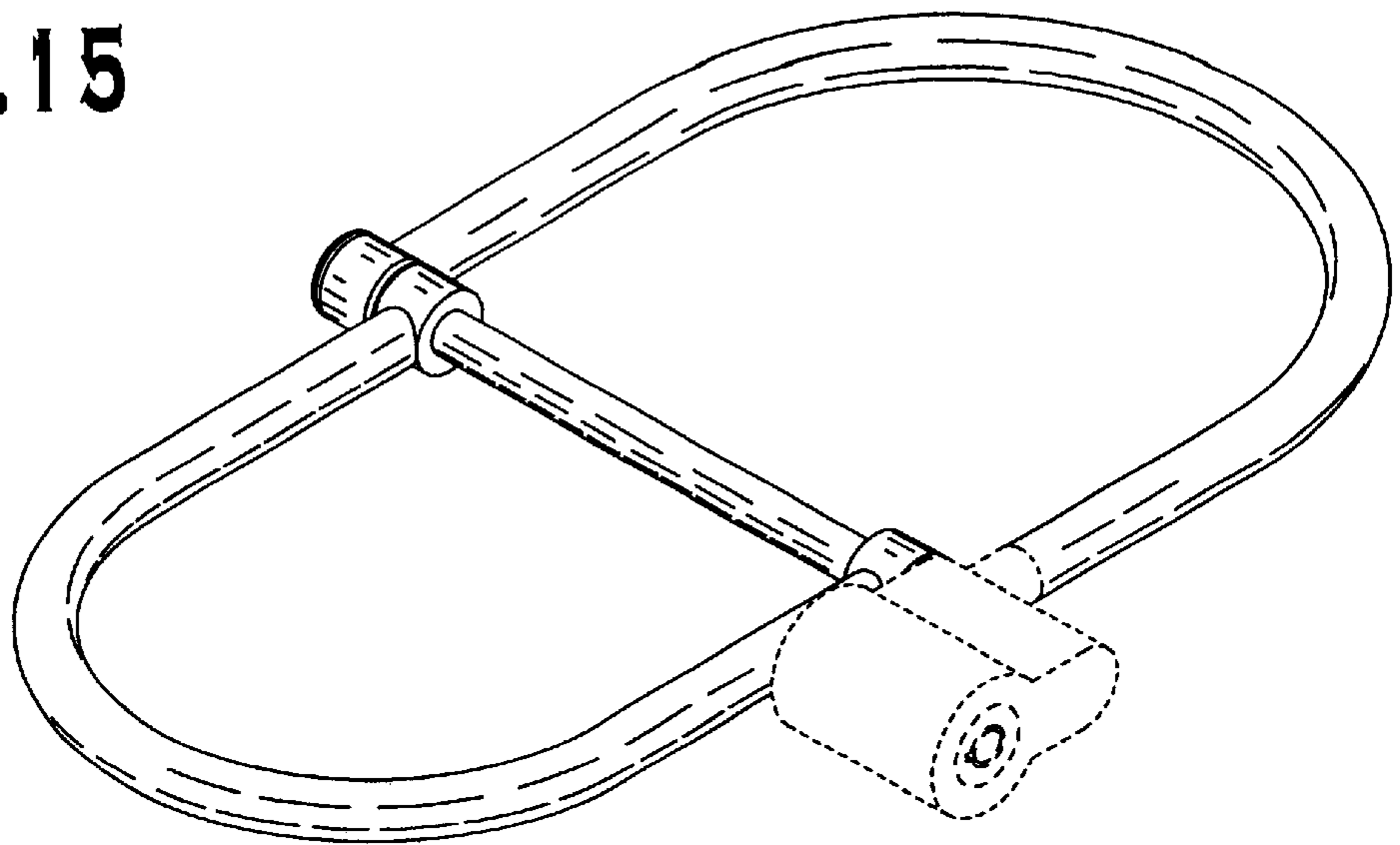


FIG. 16

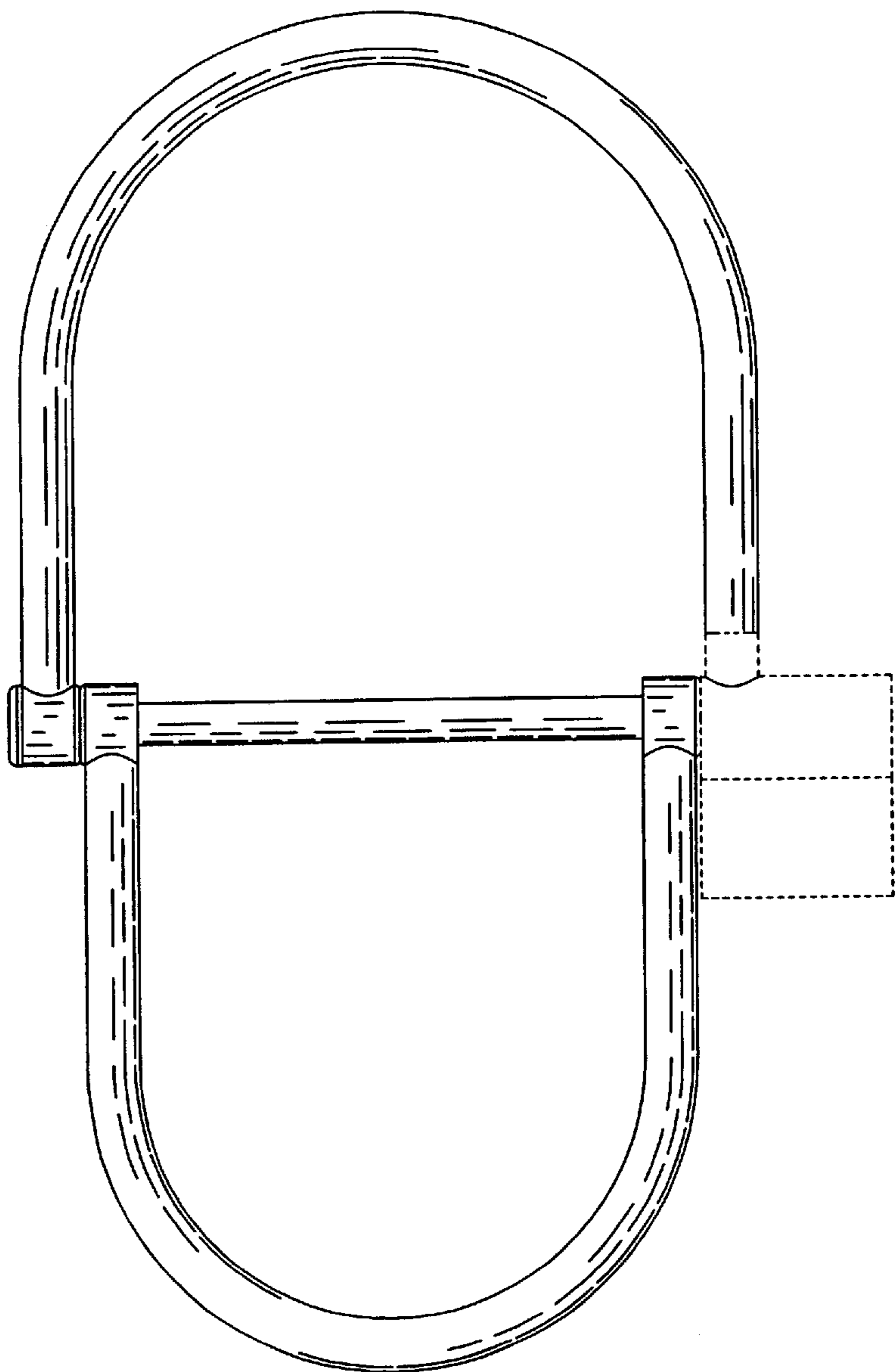


FIG. 17

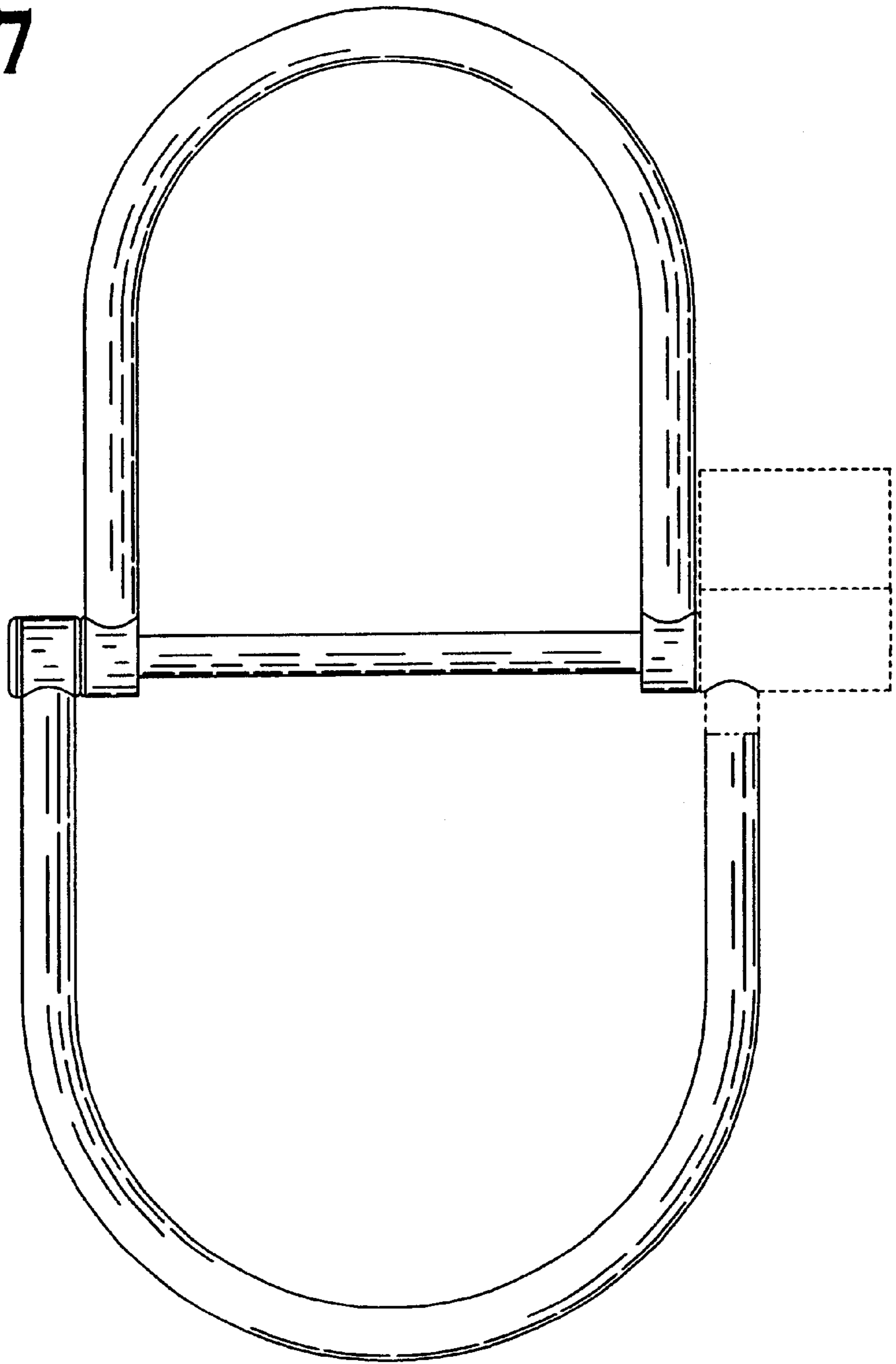


FIG. 18

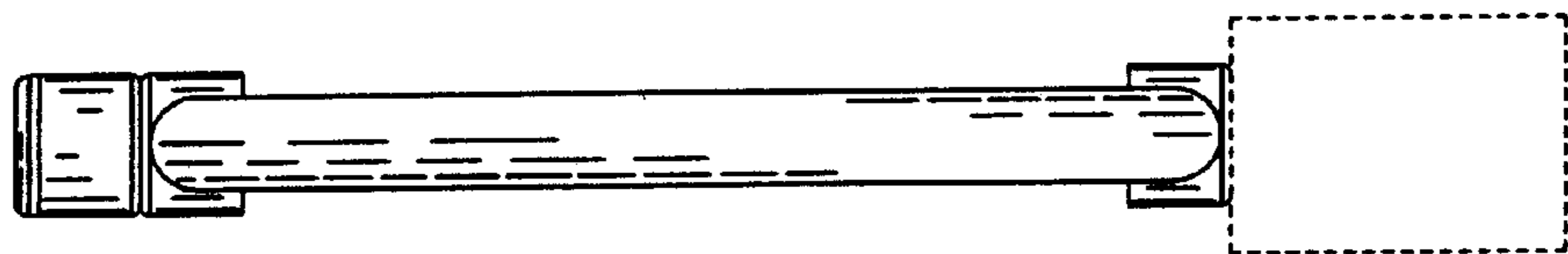


FIG. 19

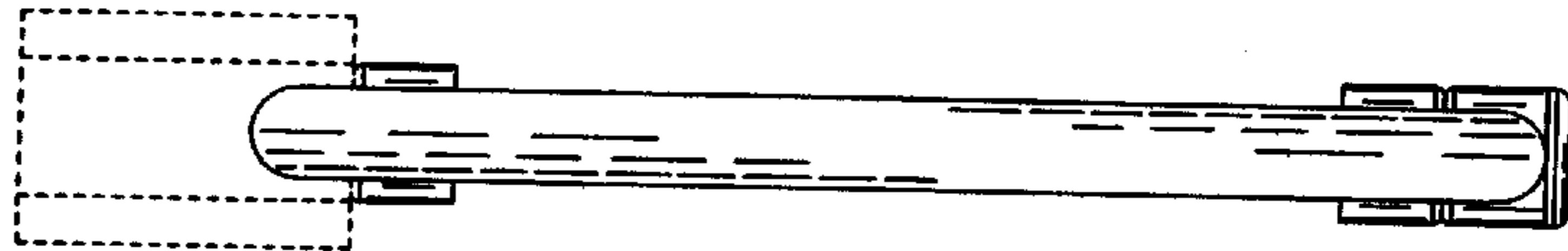


FIG. 20

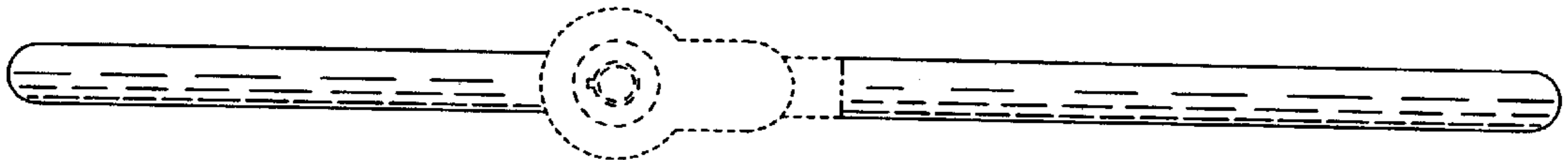


FIG. 21

