



US00D490682S

(12) **United States Design Patent**
Sullivan et al.

(10) **Patent No.:** **US D490,682 S**

(45) **Date of Patent:** **** Jun. 1, 2004**

(54) **LIFTING HANDLE FOR A TOILET SEAT**

(76) Inventors: **Edward W. Sullivan**, 124 Windsor Rd., Alburdis, PA (US) 18011; **Nancy A. Sullivan**, 124 Windsor Rd., Alburdis, PA (US) 18011

(**) **Term:** **14 Years**

(21) **Appl. No.:** **29/170,821**

(22) **Filed:** **Nov. 13, 2002**

Related U.S. Application Data

(63) Continuation-in-part of application No. 29/144,404, filed on Jul. 2, 2001, now Pat. No. Des. 465,718.

(51) **LOC (7) Cl.** **08-06**

(52) **U.S. Cl.** **D8/320; D8/319; D23/311**

(58) **Field of Search** D8/14, 300, 311, D8/307, 319, 320; D23/311; 4/246.1, 246.3; 16/422, 427, 905, 110.1; 294/19.1

(56) **References Cited**

U.S. PATENT DOCUMENTS

- 2,473,082 A 6/1949 Warner
- 4,150,446 A 4/1979 Crocker
- 5,060,318 A 10/1991 Jaskiewicz
- D351,979 S * 11/1994 Sykes et al. D8/307
- 5,398,374 A 3/1995 Betancourt
- 5,459,889 A 10/1995 Jamison
- 5,511,252 A 4/1996 Kreemer

- D386,560 S * 11/1997 Doane D8/307
- 5,727,258 A 3/1998 Derouin
- 5,729,839 A * 3/1998 Bigelow 4/246.1
- D395,078 S 6/1998 Johnson
- D406,884 S 3/1999 Goss
- D419,228 S 1/2000 Hewitt
- D433,110 S 10/2000 Sikorski
- D447,548 S * 9/2001 Schneider D23/311

* cited by examiner

Primary Examiner—Nanda Bondade

(74) *Attorney, Agent, or Firm*—Donald R. Schoonover

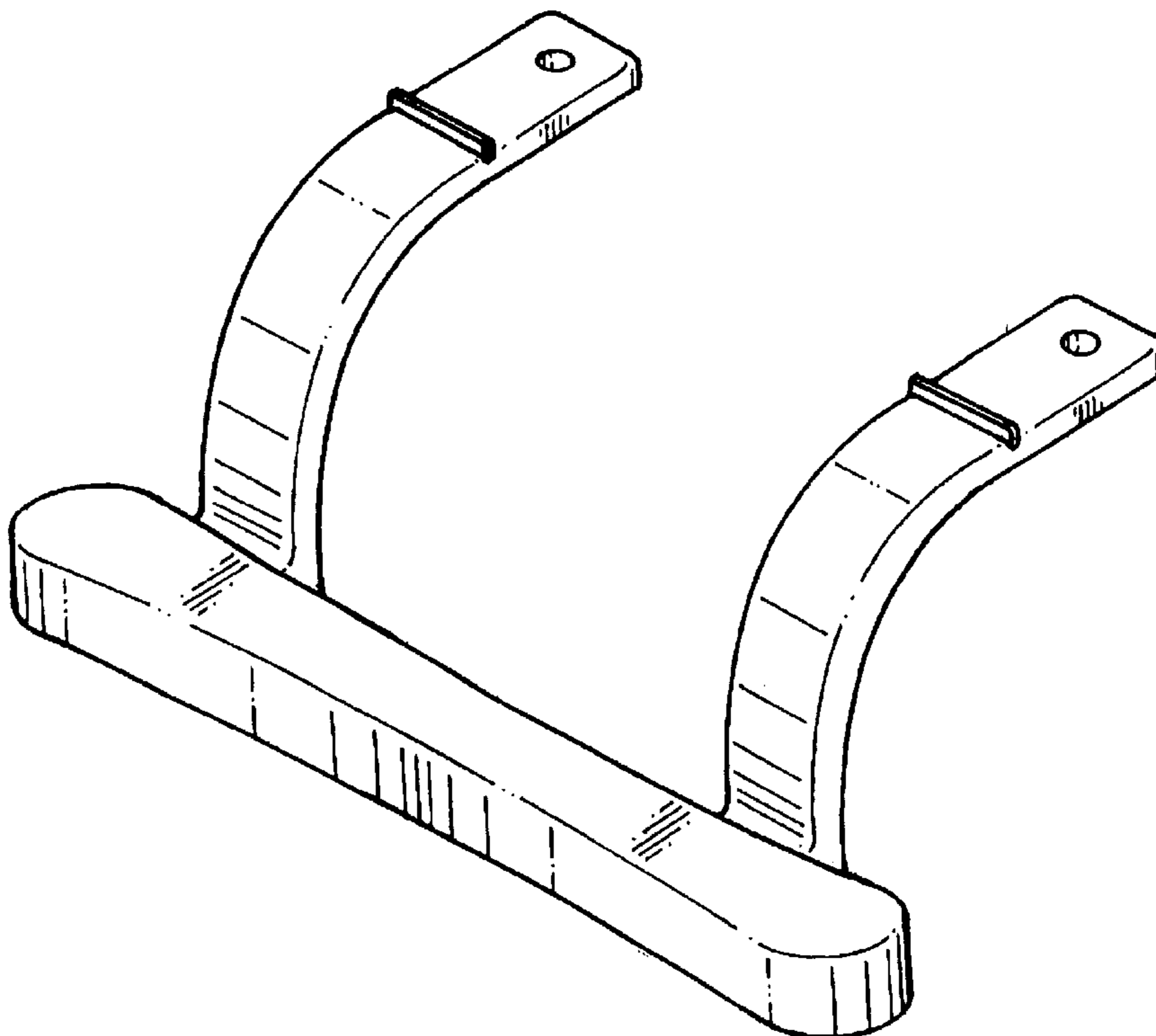
(57) **CLAIM**

The ornamental design for a lifting handle for a toilet seat, as shown and described.

DESCRIPTION

FIG. 1 is a perspective view of a lifting handle for a toilet seat showing our new design;
 FIG. 2 is a front elevational view thereof;
 FIG. 3 is a rear elevational view thereof;
 FIG. 4 is a left side elevational view thereof, the right side elevational view being a mirror image thereof;
 FIG. 5 is a top plan view thereof;
 FIG. 6 is a bottom plan view thereof; and,
 FIG. 7 is a reduced perspective view showing the lifting handle for a toilet seat in use; the broken lines depict environmental structure and form no part of the claimed design.

1 Claim, 3 Drawing Sheets



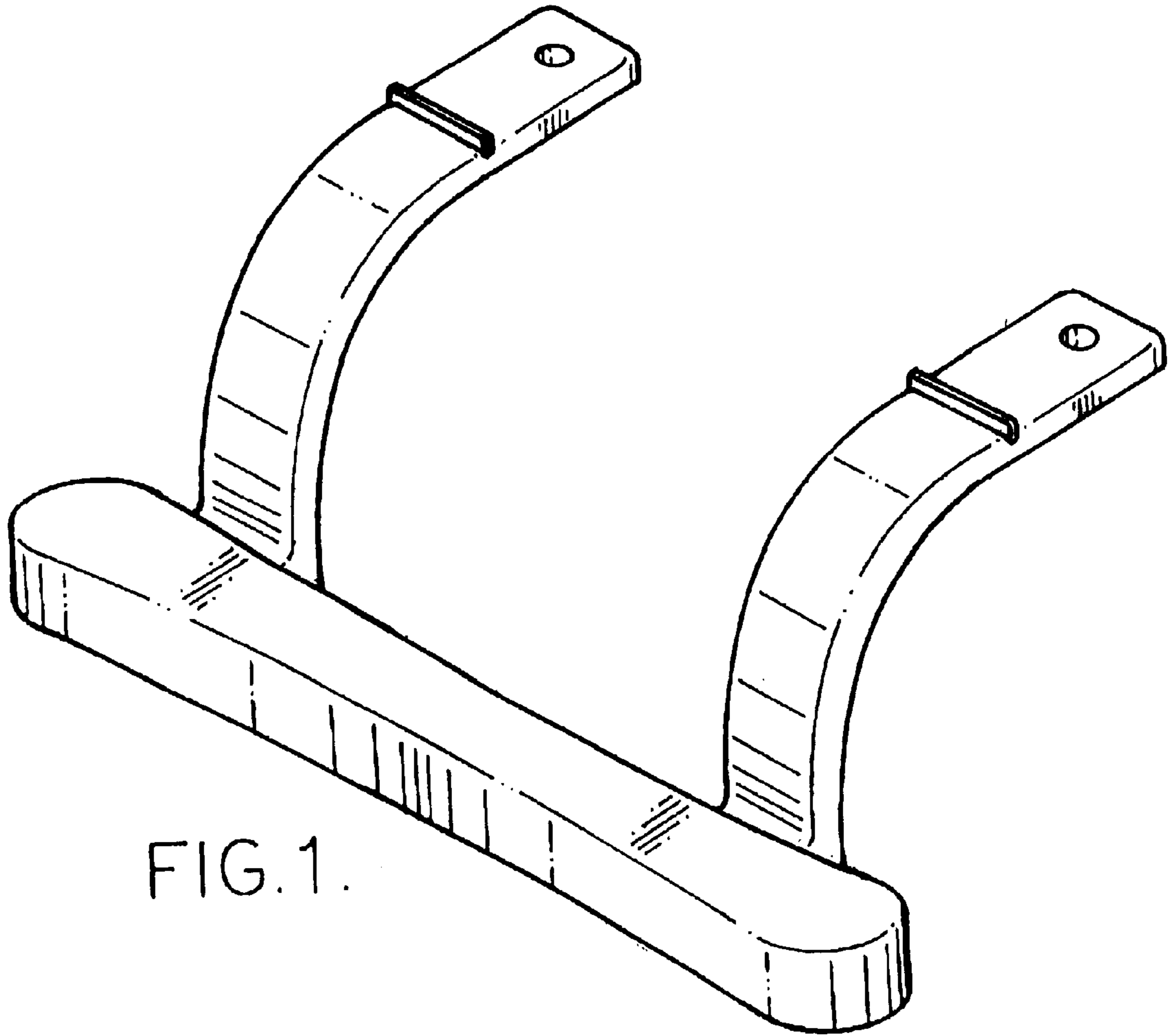


FIG. 1.

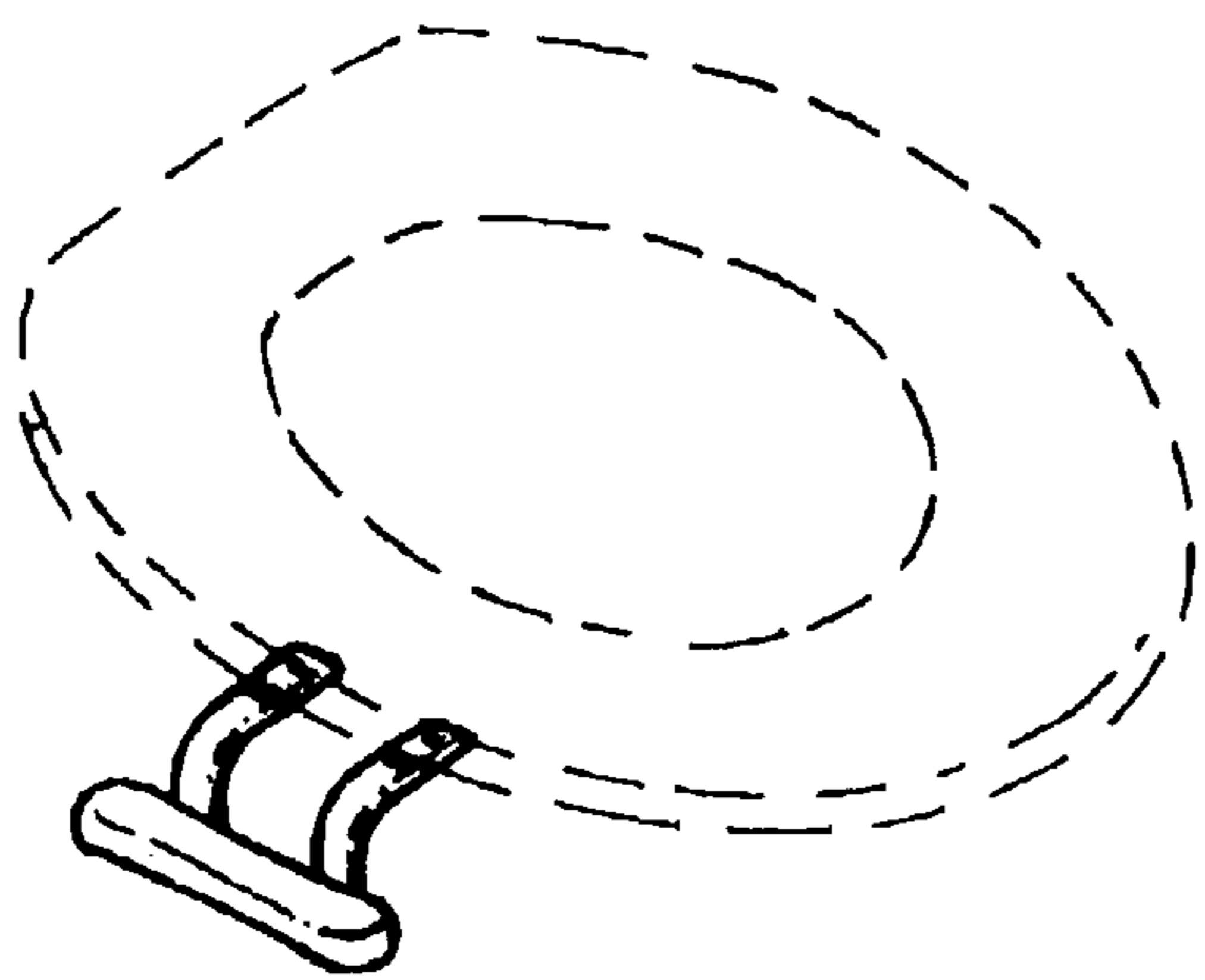


FIG. 7.

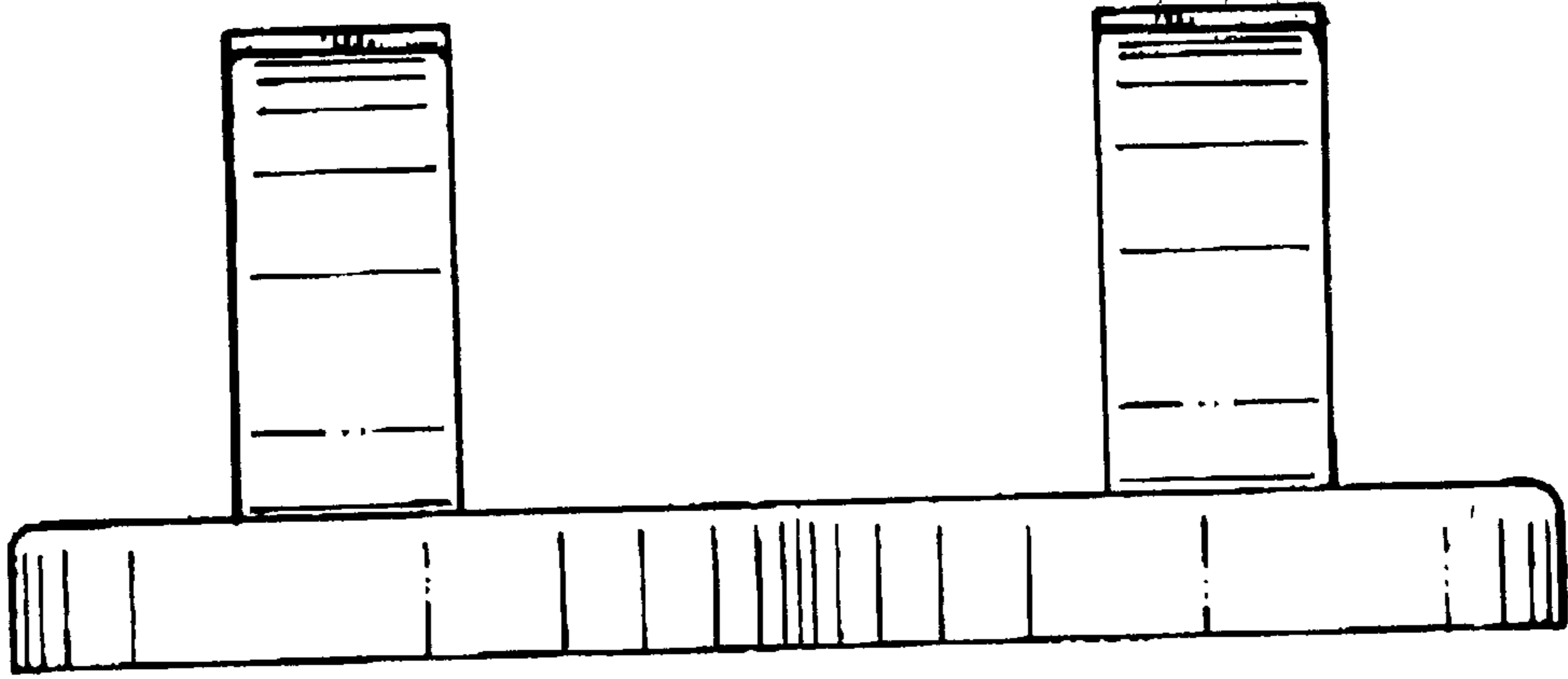


FIG. 2.

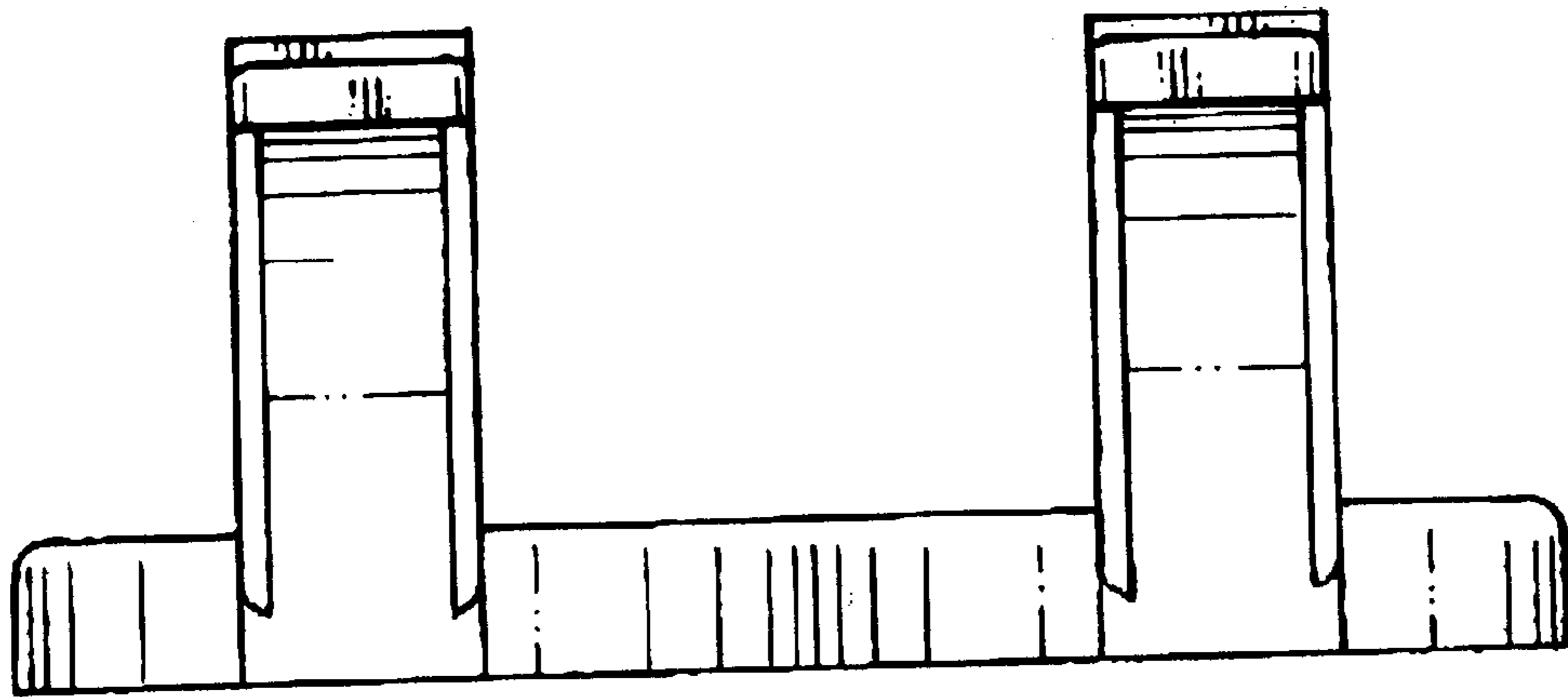


FIG. 3.

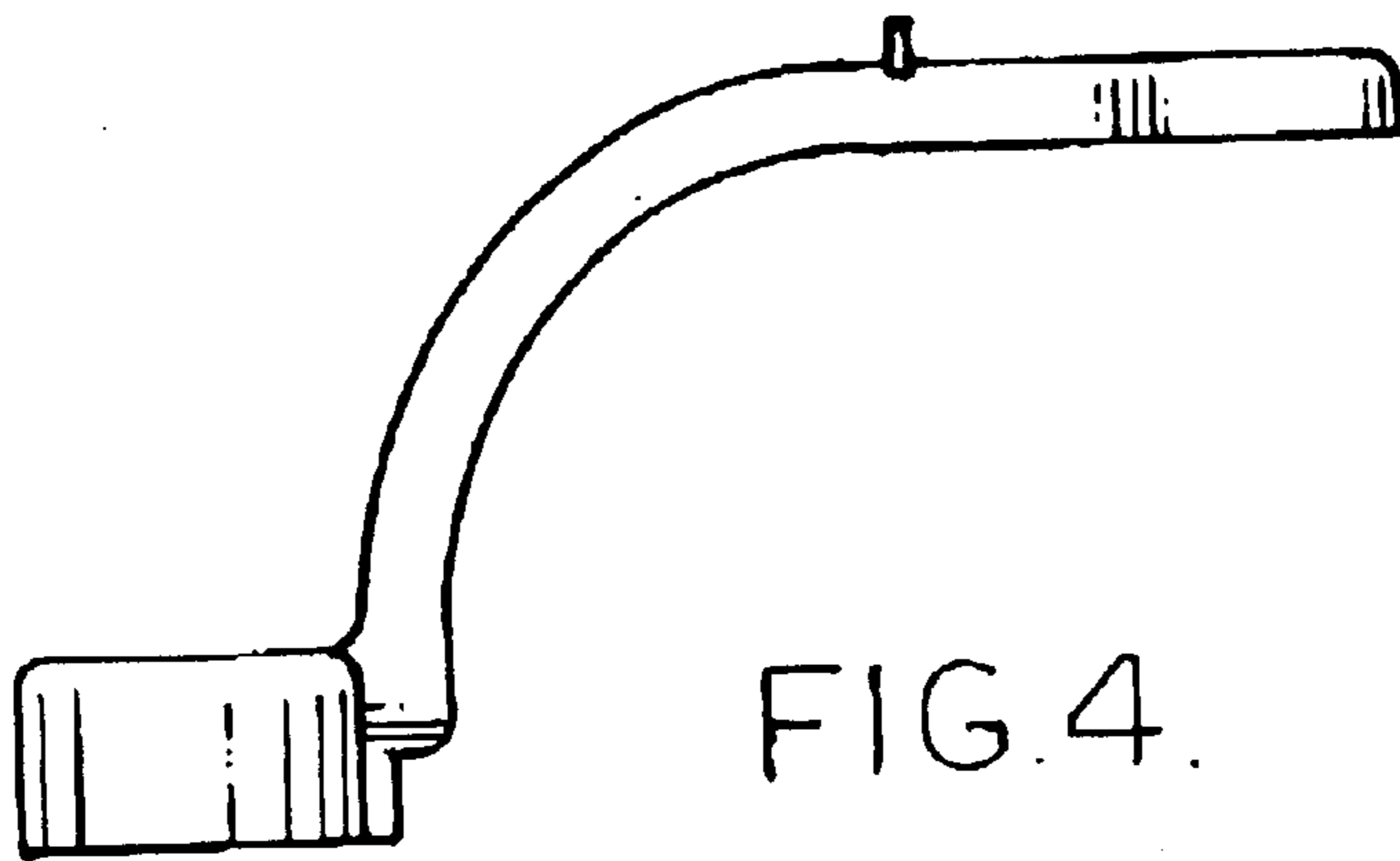


FIG. 4.

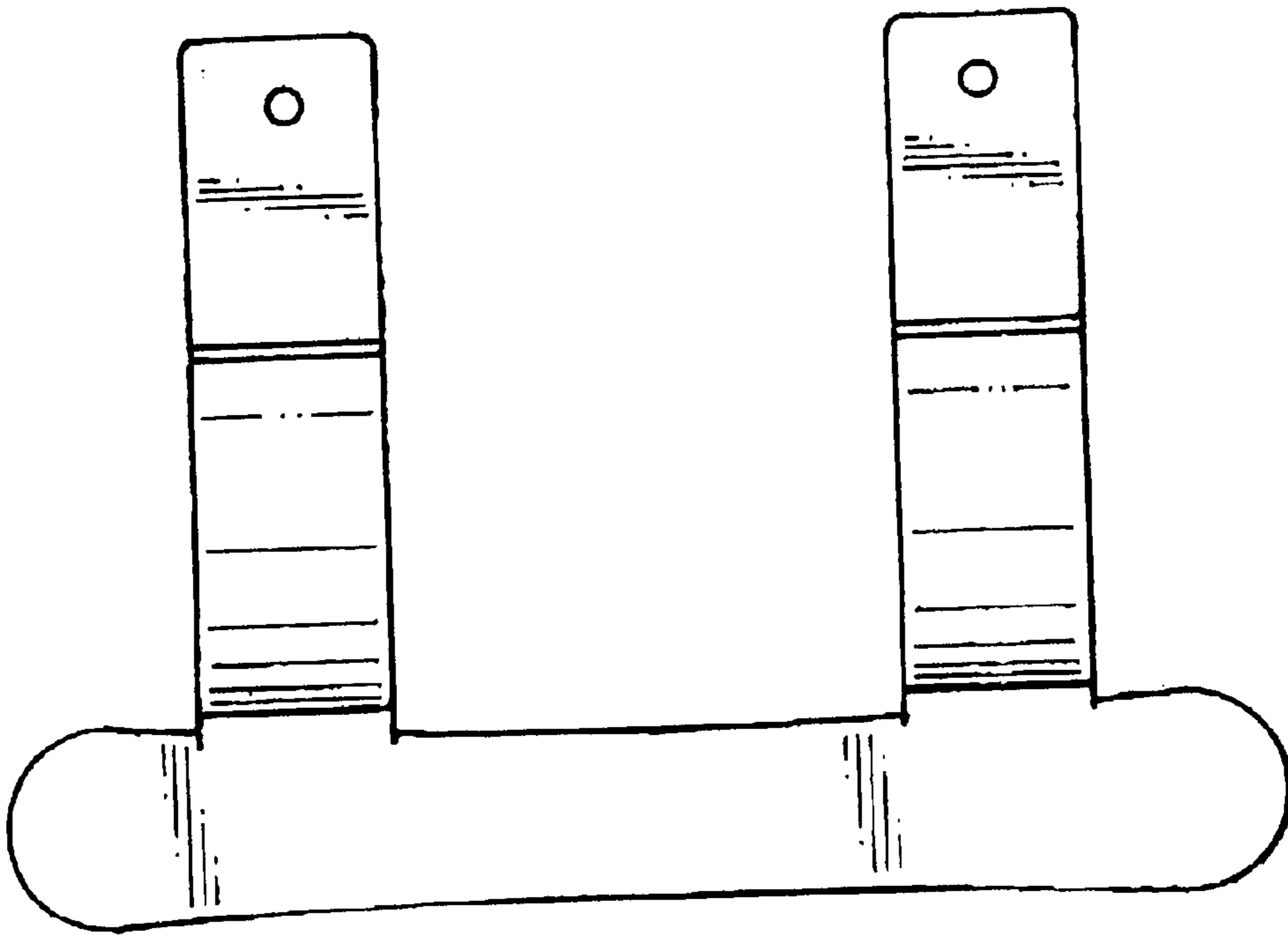


FIG. 5.

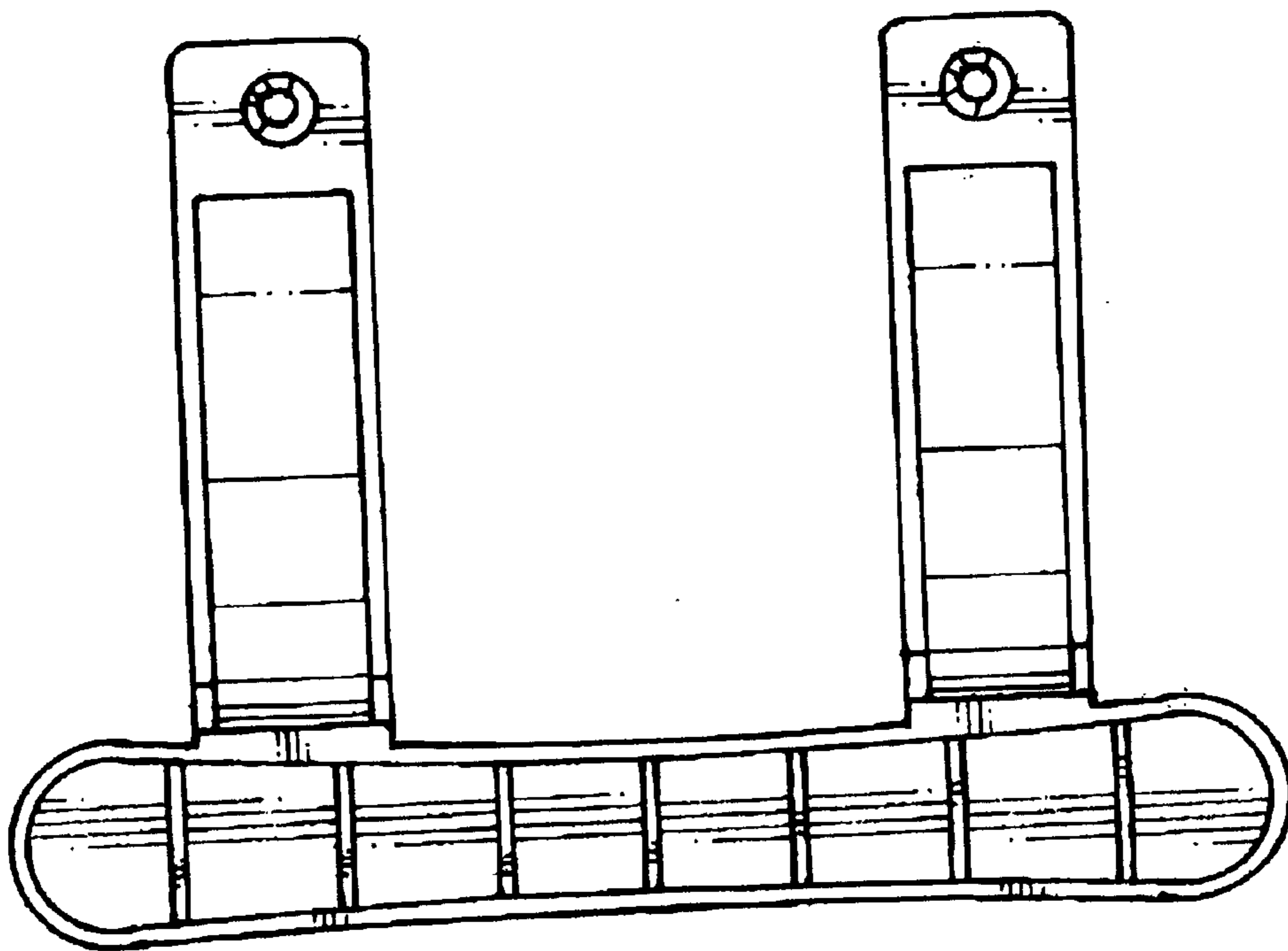


FIG. 6.