



US00D490678S

(12) **United States Design Patent**
Dion

(10) **Patent No.:** **US D490,678 S**

(45) **Date of Patent:** **** Jun. 1, 2004**

(54) **PALLET RACK REPAIR STRUCTURE**

(76) **Inventor:** **Dany Dion**, 2583 Adonis, La Plaine,
Quebec (CA), J7M 2B1

(**) **Term:** **14 Years**

(21) **Appl. No.:** **29/158,631**

(22) **Filed:** **Apr. 5, 2002**

(51) **LOC (7) Cl.** **08-05**

(52) **U.S. Cl.** **D8/71; D8/381**

(58) **Field of Search** D8/71, 14, 381;
D6/431, 435, 499; D34/28, 38; 108/51.11,
53.5, 55.1, 56.3, 57.16; 29/402.06, 402.11,
402.12; 211/186, 189, 191, 192, 207; 248/126,
243, 232, 346.01, 544, 499, 678

(56) **References Cited**

U.S. PATENT DOCUMENTS

2,367,627	A	*	1/1945	Sterrett	D8/71
3,239,072	A	*	3/1966	Dunbar	D8/71
3,401,651	A	*	9/1968	Roland	108/55.1
3,799,488	A	*	3/1974	Sena	248/126
RE28,163	E	*	9/1974	Eagland	108/53.5
4,064,996	A	*	12/1977	Shillum	248/243
D270,216	S	*	8/1983	Kusner	D8/71
D288,509	S	*	3/1987	van de Oudeweetering	.	D6/499
D305,567	S	*	1/1990	Scott	D8/71
4,901,650	A	*	2/1990	Armstead	211/186
D336,711	S	*	6/1993	Miller	D34/28
D350,682	S	*	9/1994	Carey	D8/71
D362,608	S	*	9/1995	Hewitt	D8/71

D363,915	S	*	11/1995	Weems	D34/28
D403,541	S	*	1/1999	Binette	D6/495
D415,015	S	*	10/1999	Pare et al.	D8/381
D433,206	S	*	10/2000	Sankaran	D34/38
6,298,537	B1	*	10/2001	Dion	211/189
D451,311	S	*	12/2001	Dion	D6/499
6,332,549	B1	*	12/2001	MacDonald	211/189
6,405,884	B1	*	6/2002	Dion	211/189
6,557,712	B2	*	5/2003	Gruber et al.	211/189
D482,912	S	*	12/2003	Curotto, Jr.	D6/495

* cited by examiner

Primary Examiner—Doris V. Coles
Assistant Examiner—T. Chase Nelson
(74) *Attorney, Agent, or Firm*—Eric Fincham

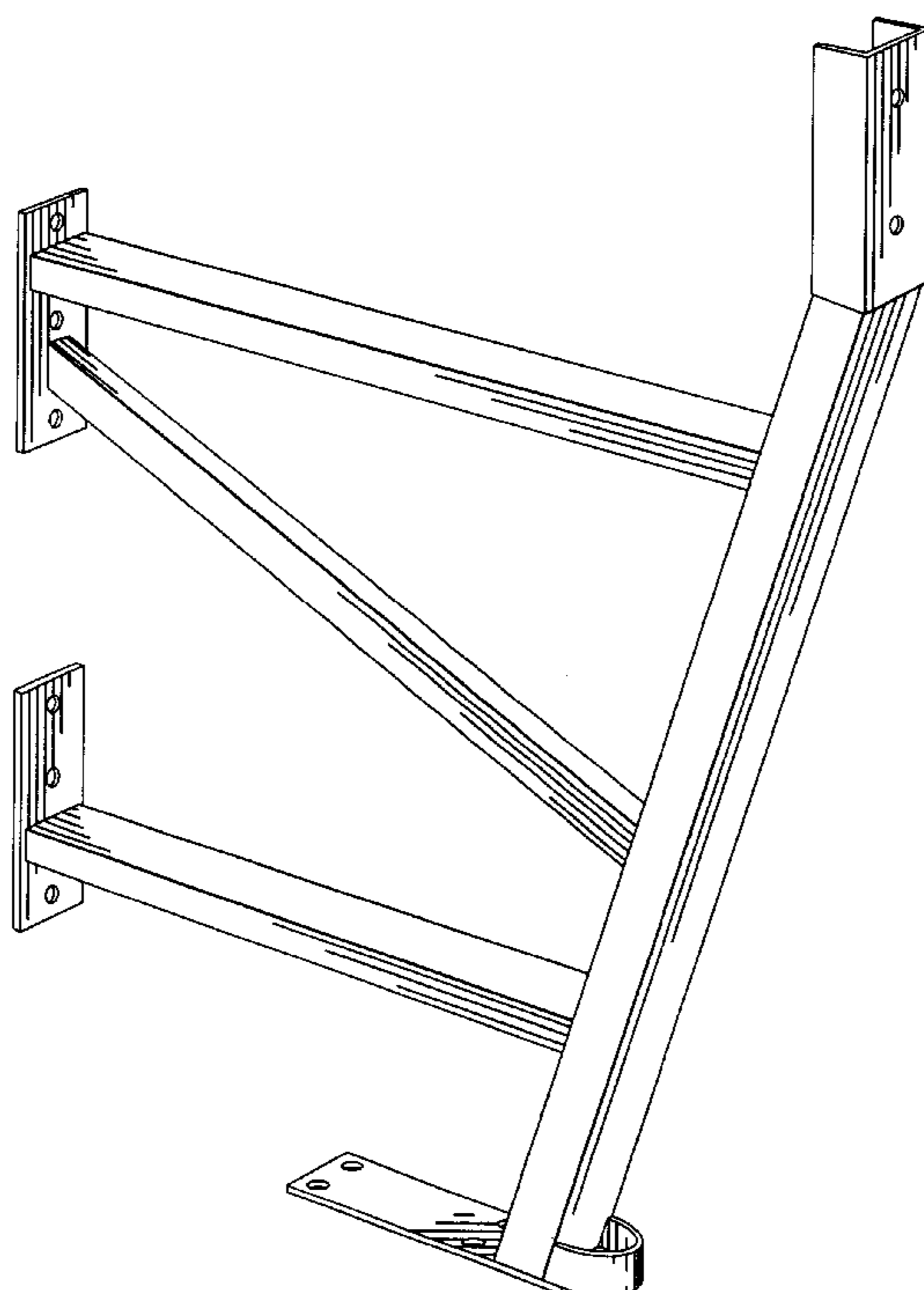
(57) **CLAIM**

The ornamental design for a pallet rack repair structure, as shown and described.

DESCRIPTION

FIG. 1 is a perspective view of the pallet rack repair structure;
FIG. 2 is a side elevational view thereof as seen from the left hand side of FIG. 1;
FIG. 3 is a front elevational view thereof;
FIG. 4 is a top plan view thereof;
FIG. 5 is a bottom plan view thereof;
FIG. 6 is a side elevational view thereof as seen from the right hand side of FIG. 1; and,
FIG. 7 is a rear elevational view thereof.

1 Claim, 3 Drawing Sheets



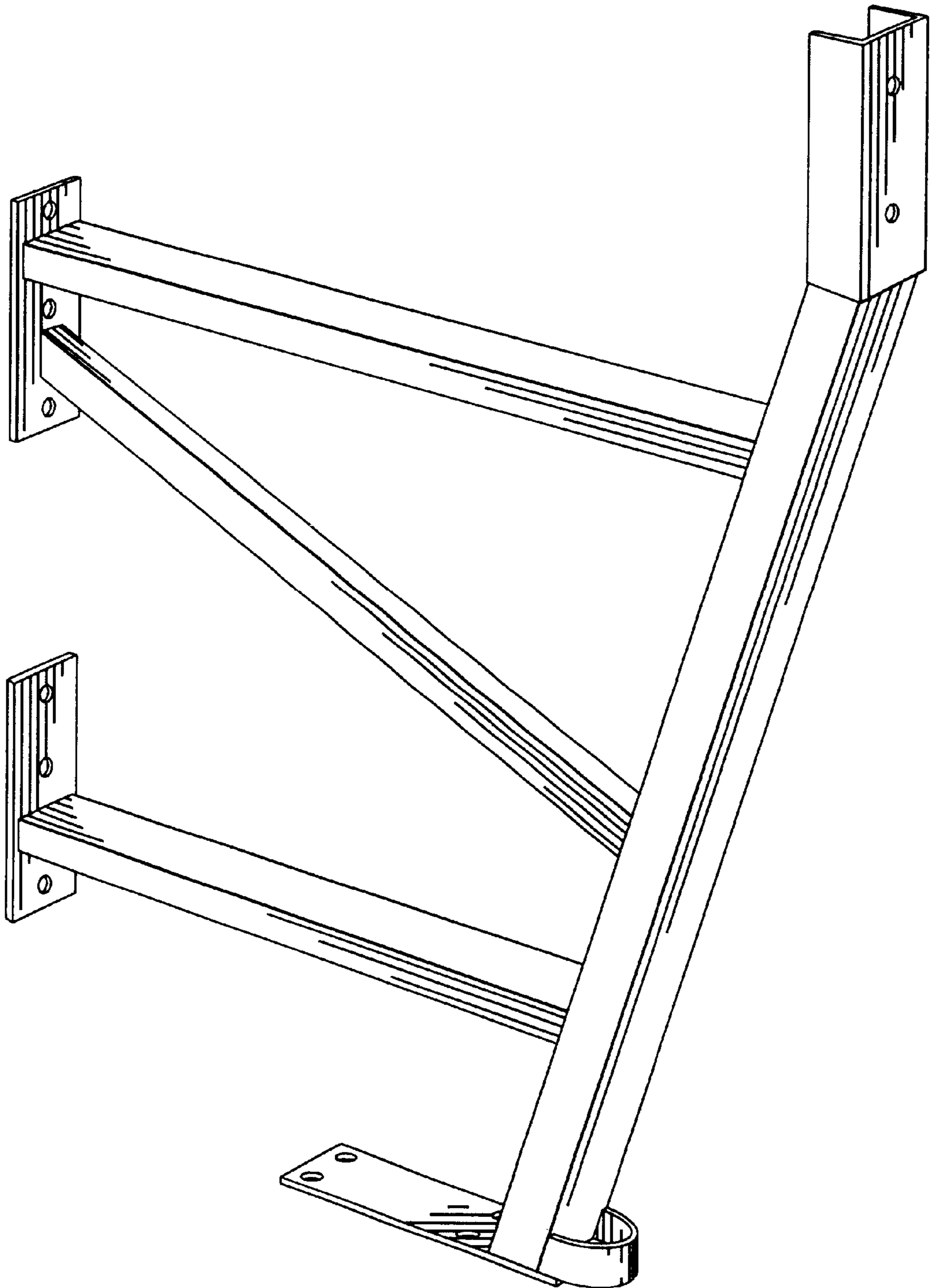


Fig-1

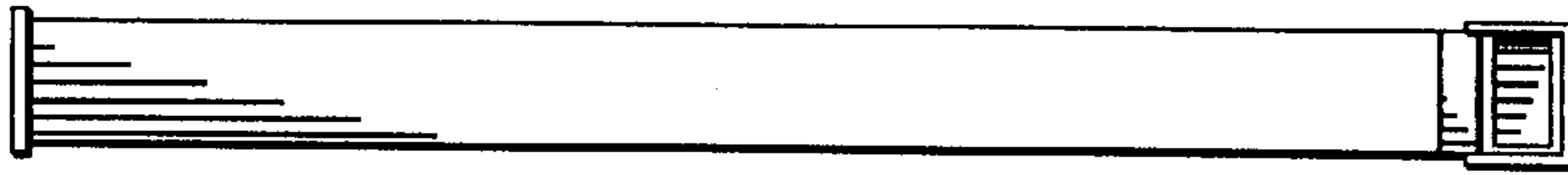


Fig-4

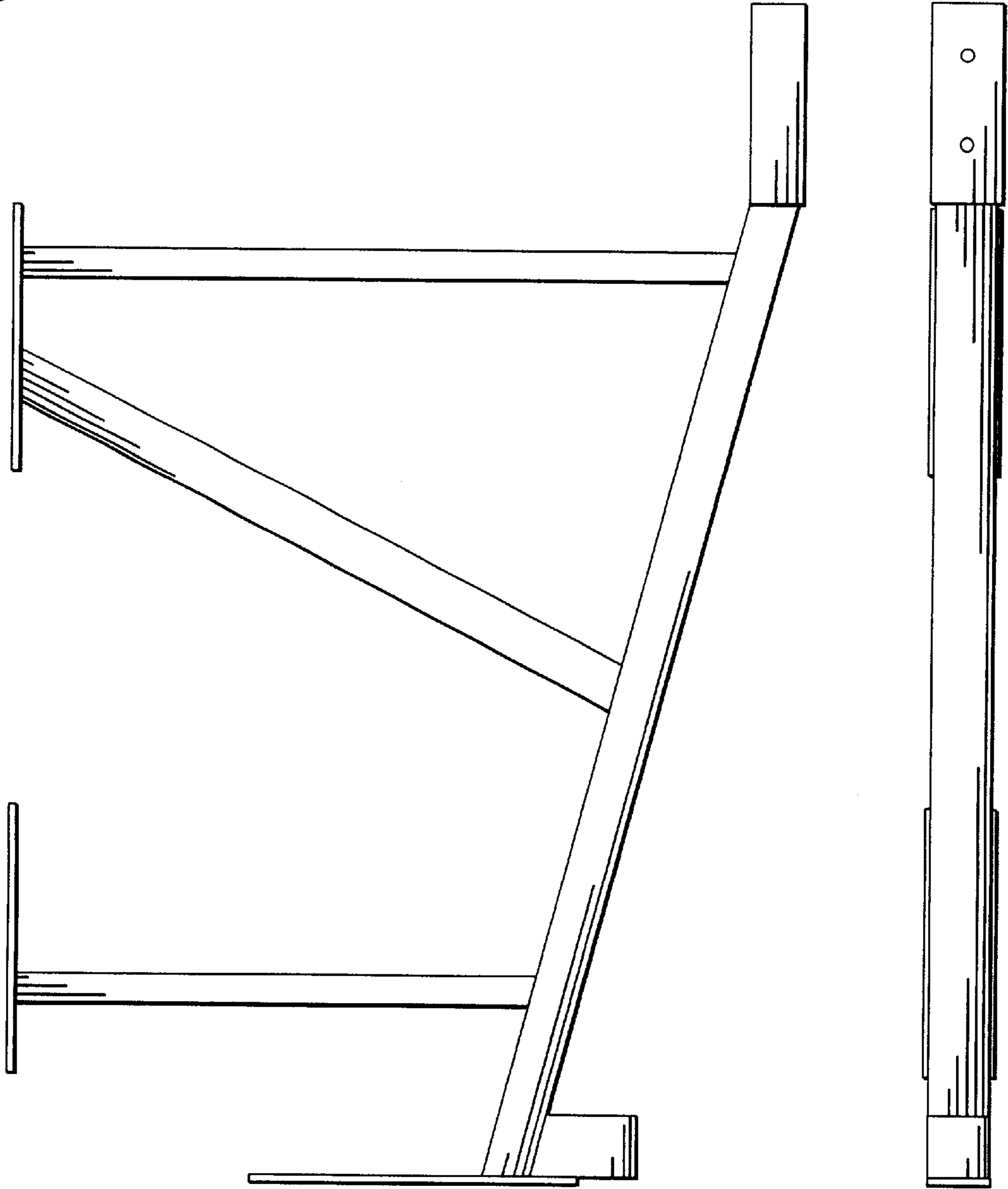


Fig-2

Fig-3

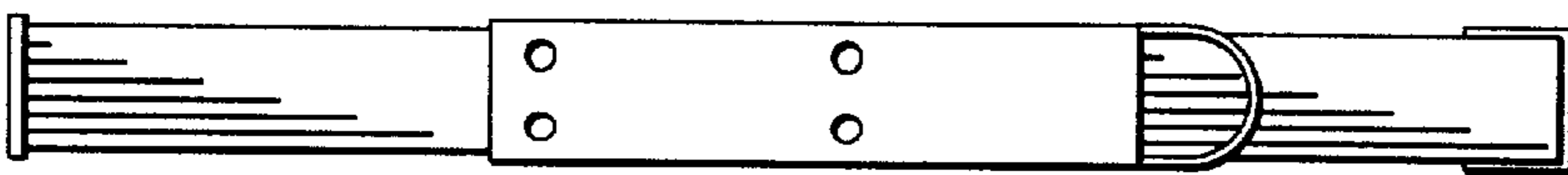


Fig-5

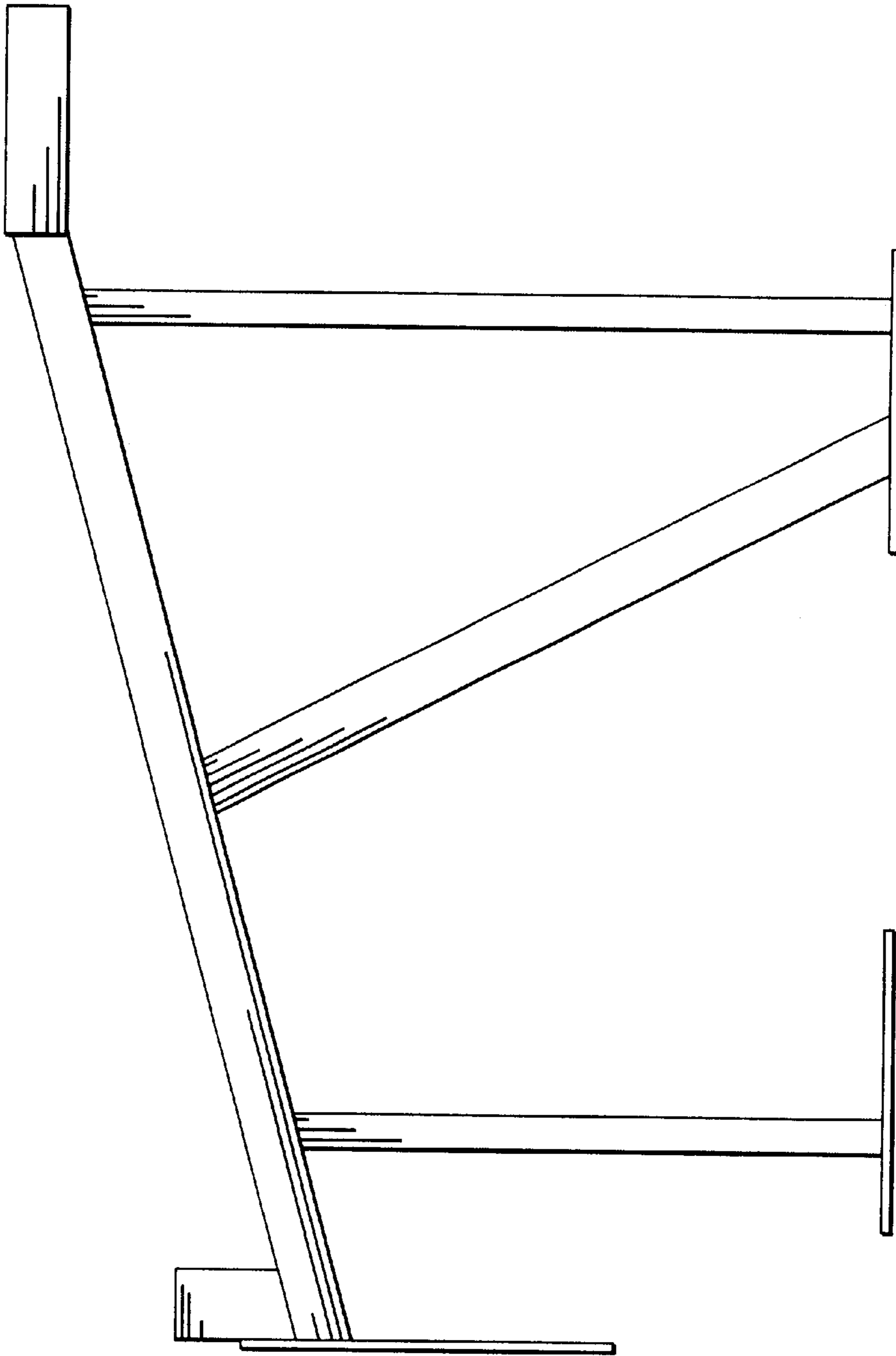


Fig-6

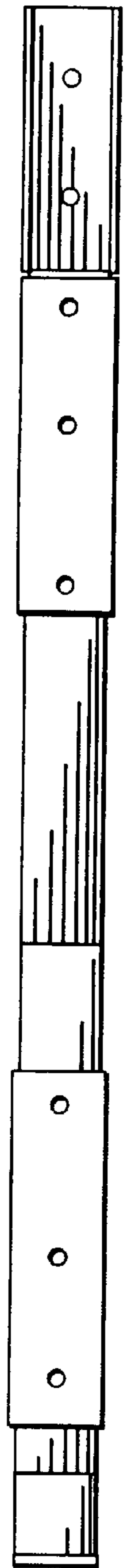


Fig-7