



US00D490677S

(12) **United States Design Patent**  
**Chung et al.**

(10) **Patent No.:** **US D490,677 S**

(45) **Date of Patent:** **\*\* Jun. 1, 2004**

(54) **ELECTRIC DRILL**

(75) Inventors: **Godfrey Ka Wai Chung**, Tuen Mun (HK); **Taku Ohi**, Greer, SC (US); **Kenneth M. Brazell**, Piedmont, SC (US)

(73) Assignee: **One World Technologies, Limited**, Hamilton (BM)

(\*\*) Term: **14 Years**

(21) Appl. No.: **29/188,022**

(22) Filed: **Aug. 12, 2003**

(51) **LOC (7) Cl.** ..... **08-01**

(52) **U.S. Cl.** ..... **D8/68**

(58) **Field of Search** ..... D8/14.1, 61, 62, D8/63, 64, 65, 66, 67, 68, 69, 70; 81/57.11, 429, 464, 465, 466, 469, 489; 173/13, 169, 178, 213, 217; 227/8, 114, 120, 130, 136, 142; 310/50; 408/20, 124, 125, 234, 241 R; 451/358

(56) **References Cited**

**U.S. PATENT DOCUMENTS**

D279,957 S	8/1985	Akazawa et al.	.....	D8/61
D280,883 S	* 10/1985	Sakamoto et al.	.....	D8/68
4,647,260 A	3/1987	O'Hara et al.	.....	408/241 S
D295,141 S	4/1988	Hoshino et al.	.....	D8/68
D295,714 S	5/1988	Sasaki et al.	.....	D8/68
D296,413 S	6/1988	Hoshino et al.	.....	D8/68
D296,655 S	7/1988	Yonezawa et al.	.....	D8/68
D299,808 S	2/1989	Hoshino et al.	.....	D8/68
4,803,904 A	2/1989	Stanich et al.	.....	81/54
4,809,572 A	* 3/1989	Sasaki	.....	81/429
D304,287 S	* 10/1989	Zurwelle	.....	D8/68
4,968,191 A	* 11/1990	Palm	.....	408/124
D314,498 S	2/1991	Hoshino et al.	.....	D8/68
D316,021 S	* 4/1991	Bunyea	.....	D8/68
D319,763 S	* 9/1991	Reiferscheid	.....	D8/68
D320,917 S	10/1991	Fushiya et al.	.....	D8/68
5,056,607 A	* 10/1991	Sanders	.....	173/217
D323,606 S	2/1992	Chang	.....	D8/68
5,094,133 A	3/1992	Schreiber	.....	81/474

D325,861 S	* 5/1992	Saito et al.	.....	D8/68
D327,619 S	7/1992	Tsai	.....	D8/68
D328,411 S	8/1992	Cavedo	.....	D8/68
D329,580 S	9/1992	Sasaki et al.	.....	D8/68
D332,208 S	1/1993	Sakamoto et al.	.....	D8/68
D335,073 S	4/1993	Anthony et al.	.....	D8/68
D337,711 S	* 7/1993	Ogawa et al.	.....	D8/68
5,230,261 A	7/1993	Akazawa et al.	.....	81/54
D339,046 S	9/1993	Fushiya et al.	.....	D8/68
D339,727 S	9/1993	Kikuchi	.....	D8/68
D340,394 S	10/1993	Okumura	.....	D8/68
D340,396 S	10/1993	Ichikawa	.....	D8/68
D342,430 S	12/1993	Saito et al.	.....	D8/68
D344,000 S	* 2/1994	Shibata et al.	.....	D8/68
D345,090 S	3/1994	Okumura	.....	D8/68
D345,682 S	4/1994	Sasaki et al.	.....	D8/68
D353,526 S	* 12/1994	Hoshino	.....	D8/68
D359,215 S	6/1995	Zurwelle	.....	D8/68
D360,814 S	8/1995	Kimata	.....	D8/68

(List continued on next page.)

**OTHER PUBLICATIONS**

Screwdrivers, pp. 30–31, DeWalt Tool catalogue, c. 1998.\*

*Primary Examiner*—James Gandy

*Assistant Examiner*—T. Chase Nelson

(74) *Attorney, Agent, or Firm*—John B. Hardaway, III; Nexsen Pruet LLC

(57) **CLAIM**

The ornamental design for an electric drill, as shown and described.

**DESCRIPTION**

FIG. 1 is a left side perspective view of the electric drill of the present invention;

FIG. 2 is a right side elevational view thereof;

FIG. 3 is a left side elevational view thereof;

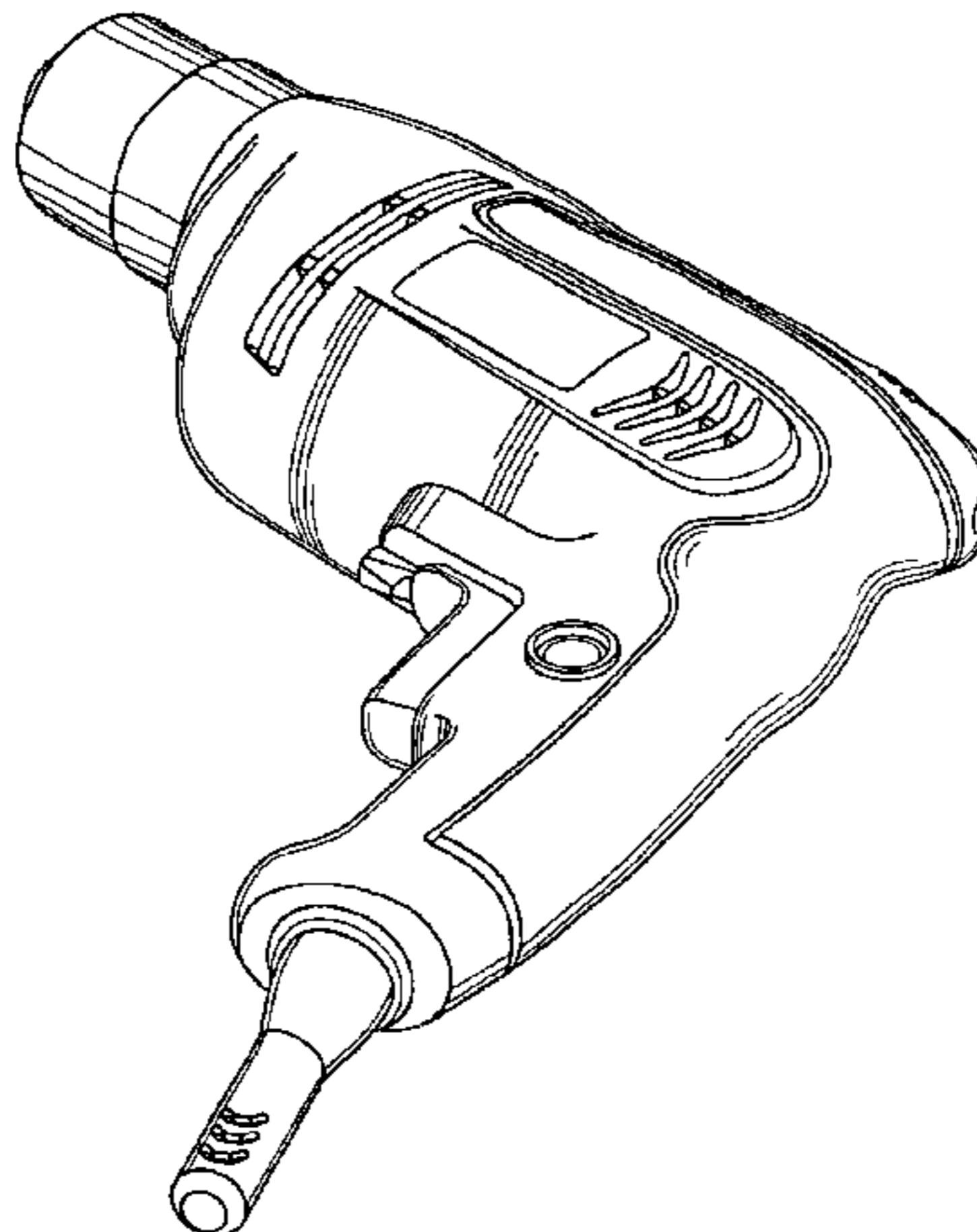
FIG. 4 is a front end view thereof;

FIG. 5 is a rear end view thereof;

FIG. 6 is a bottom view thereof; and,

FIG. 7 is a top view thereof.

**1 Claim, 5 Drawing Sheets**



# US D490,677 S

Page 2

## U.S. PATENT DOCUMENTS

D362,167 S	9/1995	Zurwelle	.....	D8/68	D400,415 S	* 11/1998	Zurwelle	.....	D8/68
D368,214 S	3/1996	Zurwelle	.....	D8/68	D400,416 S	* 11/1998	Zurwelle	.....	D8/68
5,524,512 A	6/1996	Wolfe	.....	81/429	D402,871 S	12/1998	Clowers et al.	.....	D8/68
5,568,849 A	* 10/1996	Sasaki et al.	.....	81/429	D402,872 S	12/1998	Clowers et al.	.....	D8/68
D377,442 S	1/1997	Kilkuchi	.....	D8/68	D403,220 S	12/1998	Kimata et al.	.....	D8/68
D377,893 S	2/1997	Lui	.....	D8/68	D403,565 S	* 1/1999	Chung	.....	D8/68
D378,268 S	3/1997	Schultz	.....	D8/68	D404,276 S	1/1999	Ghode et al.	.....	D8/68
D380,952 S	7/1997	Kim	.....	D8/68	D406,742 S	* 3/1999	Schoen et al.	.....	D8/68
D382,457 S	8/1997	Ghode et al.	.....	D8/68	D409,467 S	5/1999	Chung	.....	D8/68
D384,261 S	9/1997	Hayakawa et al.	.....	D8/68	D419,413 S	1/2000	Heun	.....	D8/68
D384,262 S	* 9/1997	Hayakawa et al.	.....	D8/68	D428,320 S	7/2000	Ohi et al.	.....	D8/68
D386,662 S	11/1997	Tozawa et al.	.....	D8/68	D439,123 S	* 3/2001	Sakai et al.	.....	D8/68
D389,384 S	1/1998	Lui	.....	D8/68	D441,268 S	* 5/2001	Heun	.....	D8/68
D392,530 S	3/1998	Lui	.....	D8/68	D444,363 S	7/2001	Hayakawa et al.	.....	D8/61
D393,581 S	4/1998	McCallops et al.	.....	D8/68	D447,924 S	9/2001	Neitzell et al.	.....	D8/64
D394,995 S	6/1998	Cooper	.....	D8/68	D466,386 S	* 12/2002	Zurwelle	.....	D8/68
D396,177 S	7/1998	Schultz	.....	D8/68	D470,737 S	* 2/2003	Chunn et al.	.....	D8/68
D396,395 S	* 7/1998	Zurwelle	.....	D8/68	6,536,537 B1	* 3/2003	Sasaki et al.	.....	173/178
D396,789 S	8/1998	Murray	.....	D8/68	D482,254 S	* 11/2003	Tsuzuki et al.	.....	D8/68

\* cited by examiner

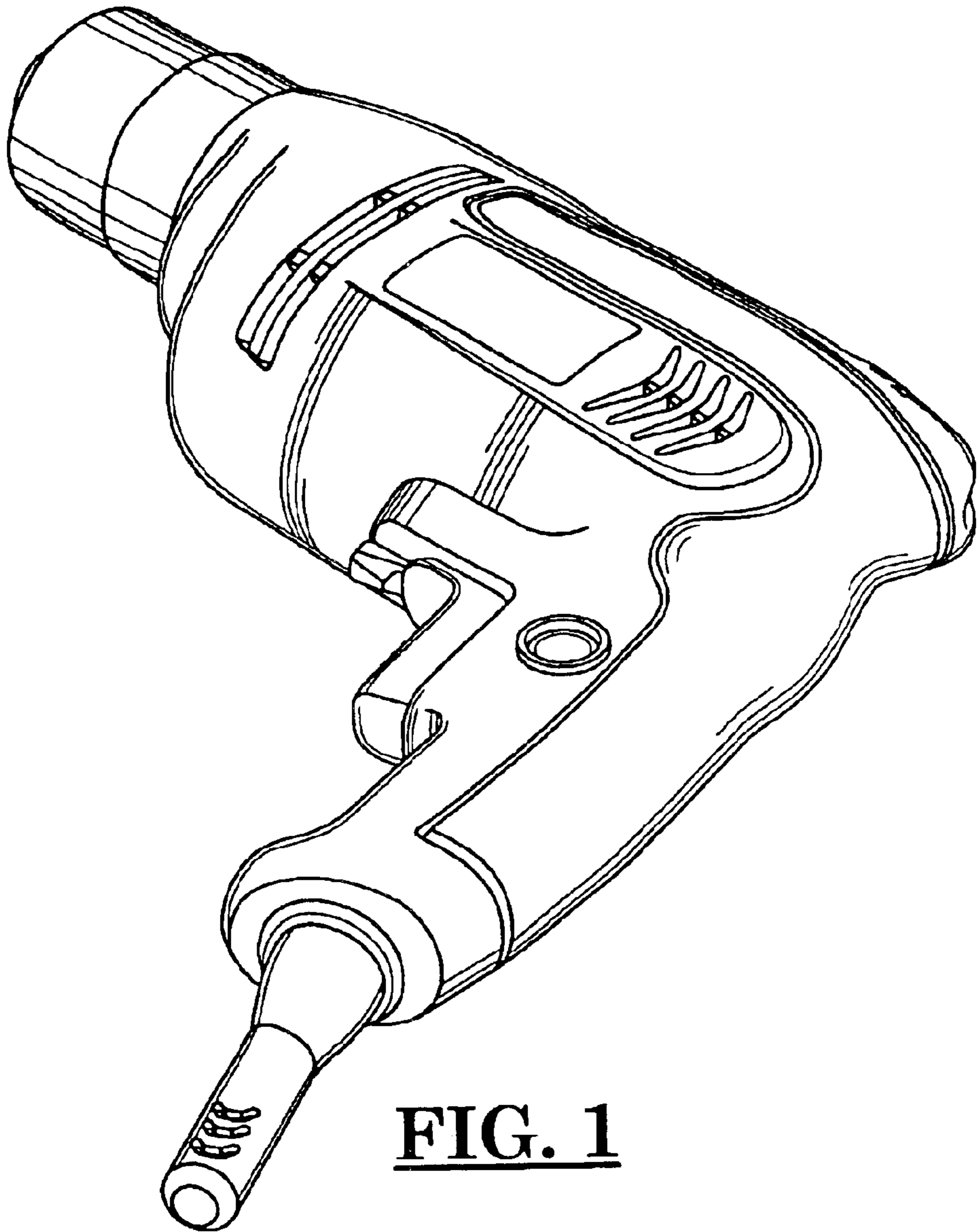


FIG. 1

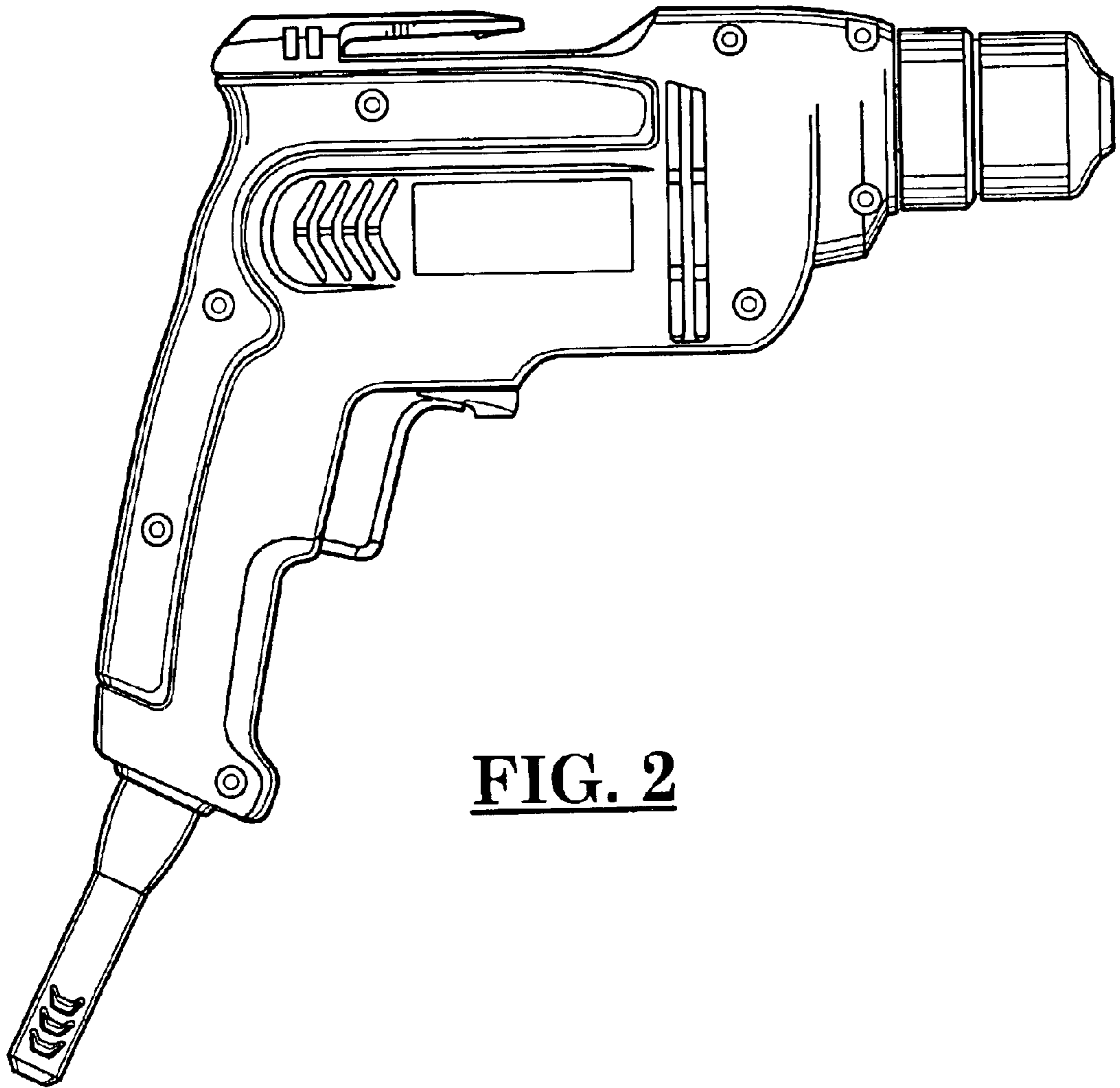
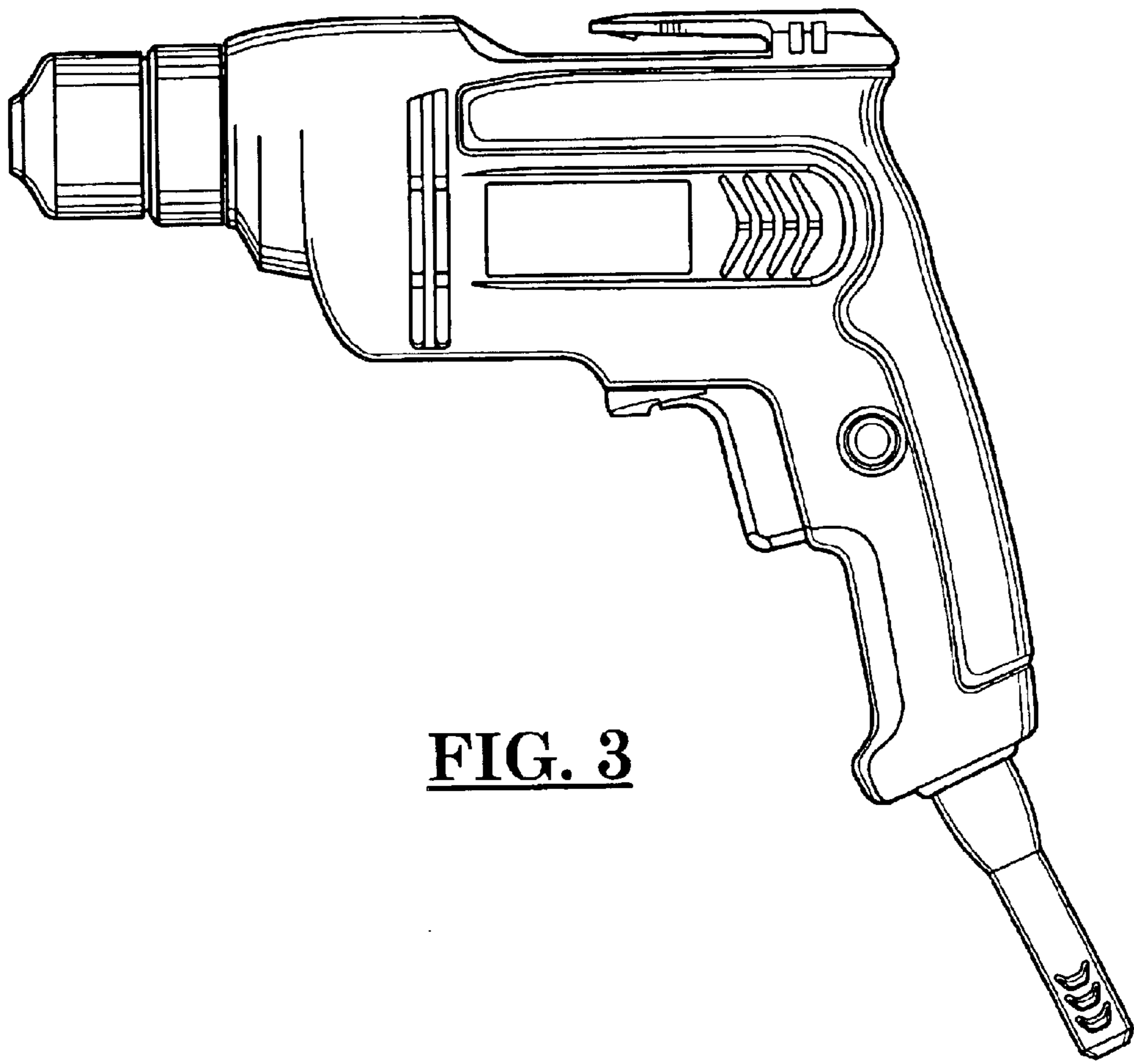
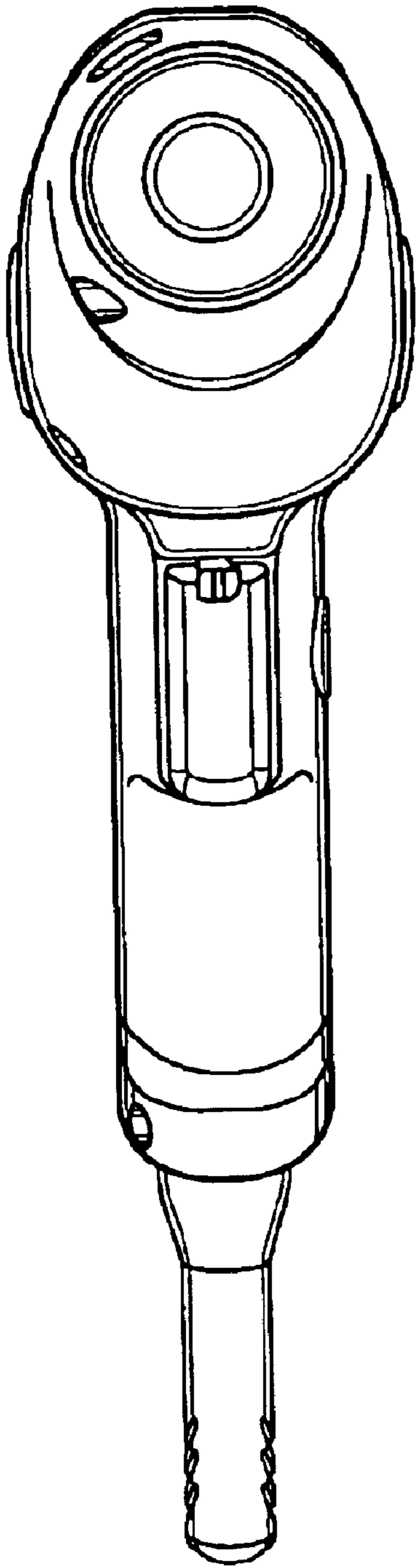


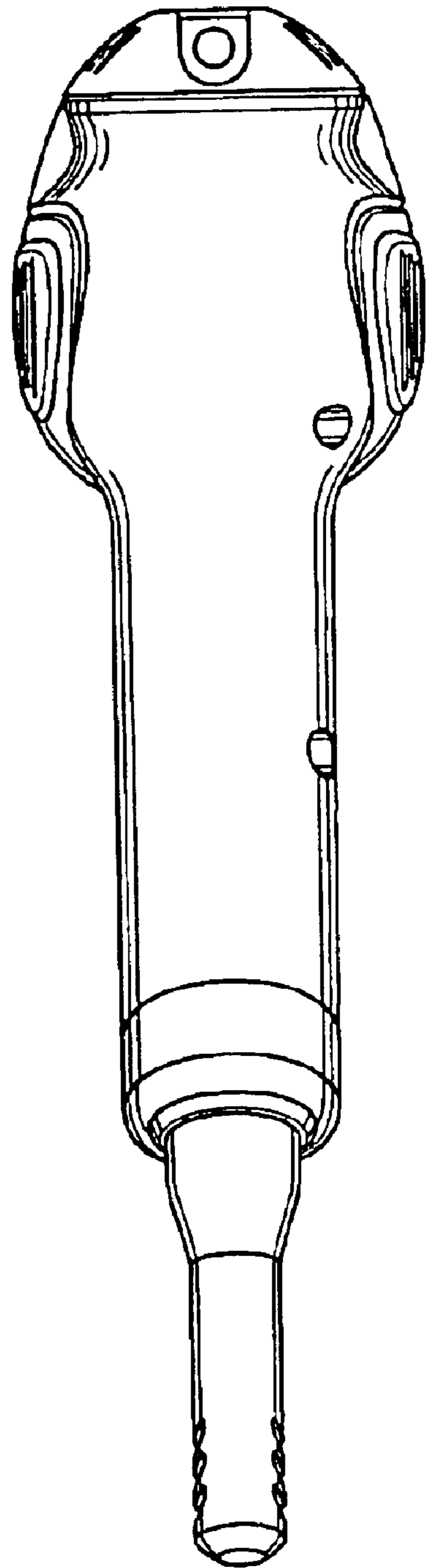
FIG. 2



**FIG. 3**



**FIG. 4**



**FIG. 5**

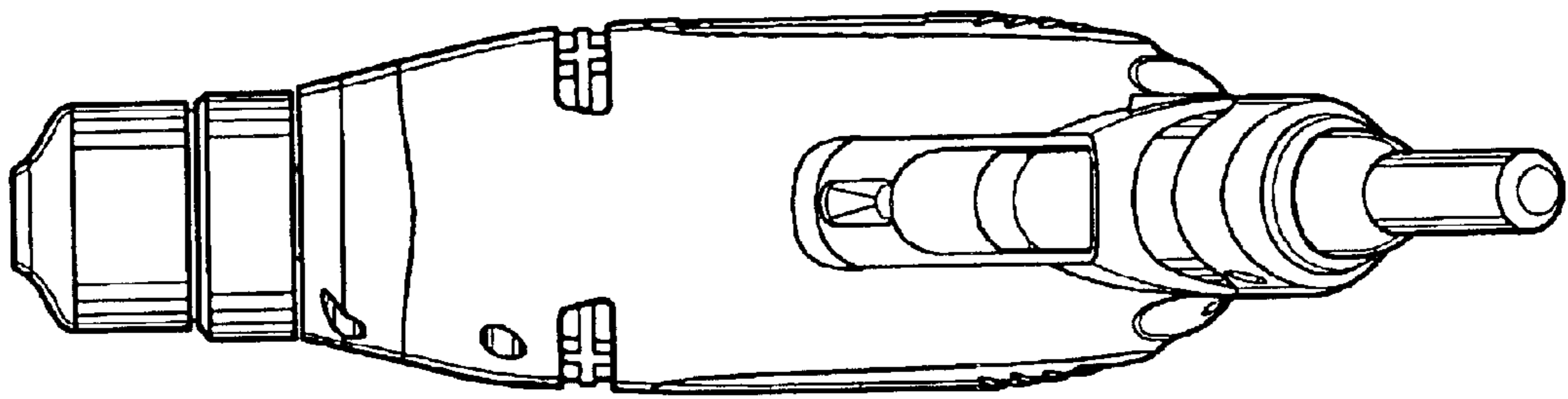


FIG. 6

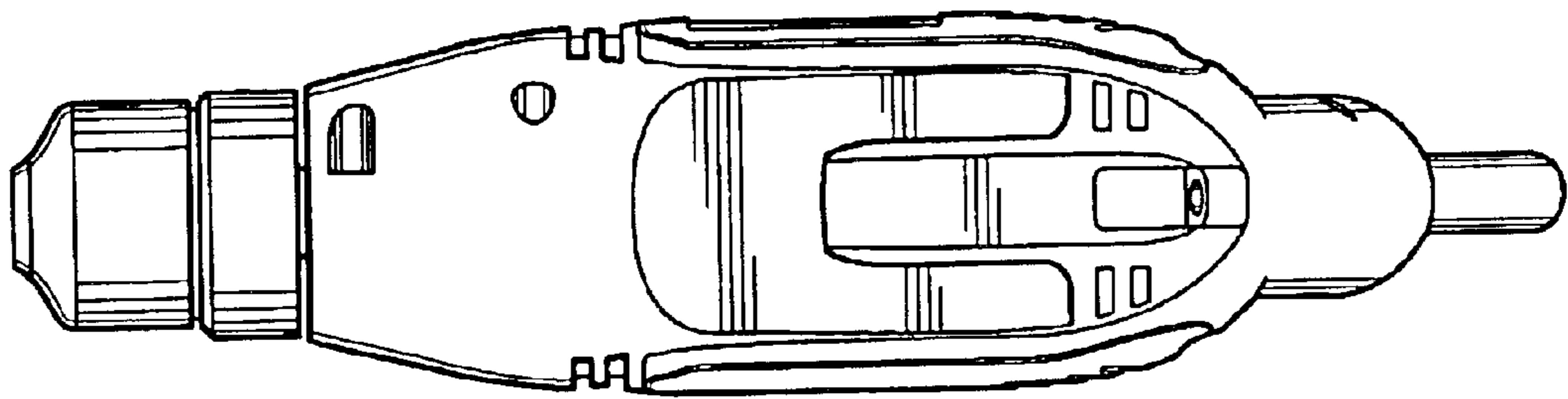


FIG. 7