



US00D490676S

(12) **United States Design Patent**
Wright

(10) **Patent No.:** **US D490,676 S**
(45) **Date of Patent:** **** Jun. 1, 2004**

(54) **SANDER**
(75) **Inventor:** **Stuart J. Wright**, Timonium, MD (US)
(73) **Assignee:** **Black & Decker Inc.**, Newark, DE (US)
(**) **Term:** **14 Years**
(21) **Appl. No.:** **29/177,477**
(22) **Filed:** **Mar. 11, 2003**
(51) **LOC (7) Cl.** **08-01**
(52) **U.S. Cl.** **D8/62**
(58) **Field of Search** D8/61, 62, 67, D8/69; 173/168, 169, 170, 171; 310/50; 451/294, 344, 351, 353, 354, 355, 356, 357, 358, 359

D416,459 S 11/1999 Pears
D420,875 S * 2/2000 Okitsu et al. D8/62
D431,437 S 10/2000 Niwa et al.
6,126,529 A * 10/2000 Heyer 451/415
6,148,931 A 11/2000 Nyber et al.
6,159,085 A * 12/2000 Hara 451/451
D447,397 S 9/2001 Netzler
D453,668 S * 2/2002 Pretzell D8/62
6,454,640 B1 9/2002 Siedler et al.
D468,608 S 1/2003 Wacker et al.
6,506,107 B2 1/2003 Clowers et al.
2001/0004580 A1 6/2001 Legner et al.
2002/0193055 A1 12/2002 Tiede et al.

* cited by examiner

Primary Examiner—Doris V. Coles
Assistant Examiner—Elizabeth Albert
(74) *Attorney, Agent, or Firm*—Michael P. Leary; Bruce S. Shapiro; Charles E. Yocum

(56) **References Cited**

U.S. PATENT DOCUMENTS

4,177,609 A * 12/1979 Rameckers et al. 451/355
D317,244 S 6/1991 Bunyea
5,074,081 A * 12/1991 Beth et al. 451/344
D328,695 S * 8/1992 Hoshino et al. D8/69
D332,558 S 1/1993 Hoshino et al.
5,261,190 A 11/1993 Berger et al.
D347,778 S 6/1994 Clowers et al.
D352,437 S 11/1994 Chunn et al.
5,496,207 A 3/1996 Hornung et al.
D376,304 S 12/1996 Clowers et al.
5,725,086 A * 3/1998 Cooper 200/302.3
5,772,498 A * 6/1998 Neubert et al. 451/357
D400,073 S * 10/1998 Hara D8/62
5,947,804 A * 9/1999 Fukinuki et al. 451/357

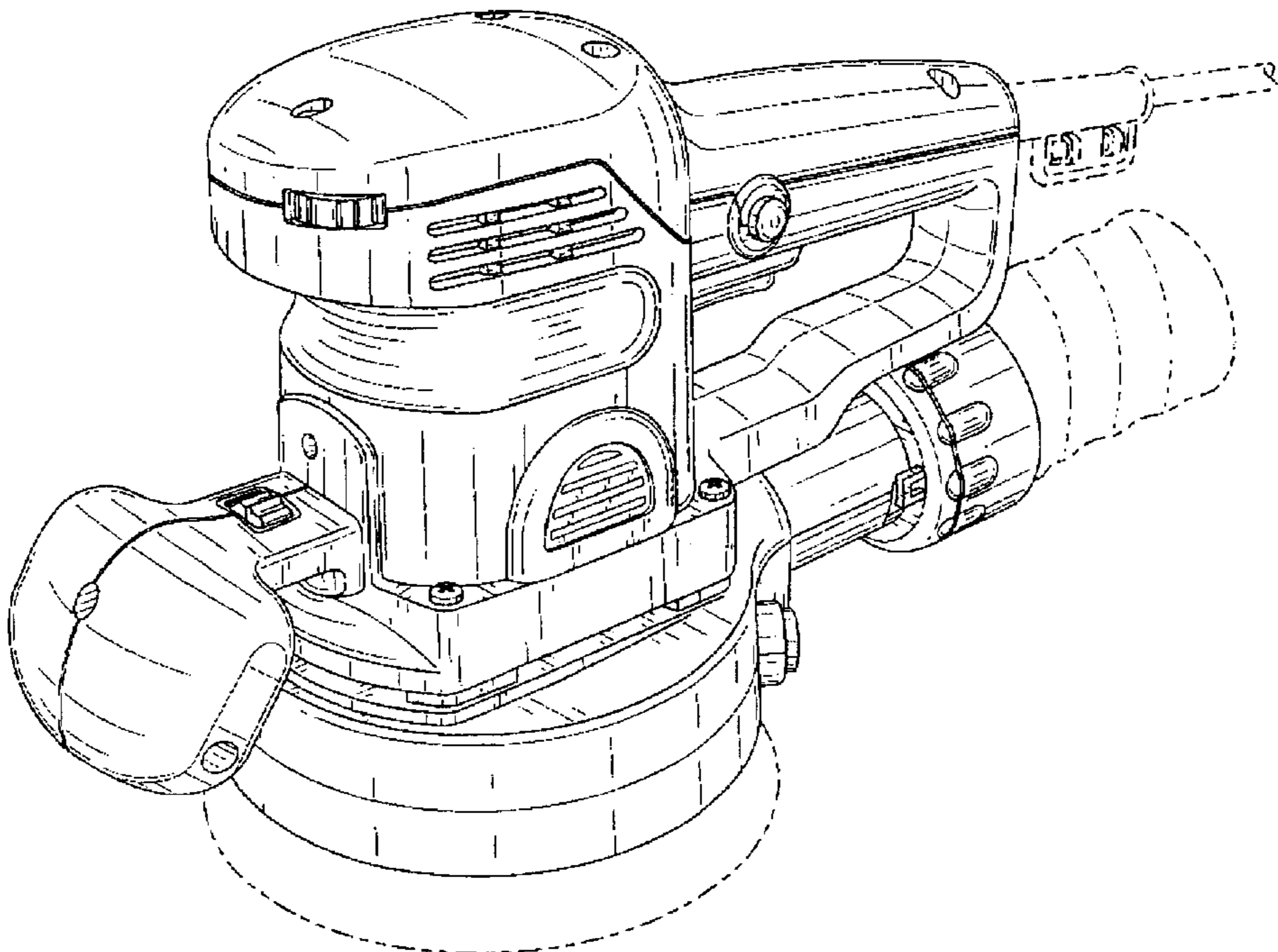
(57) **CLAIM**

The ornamental design for a sander, as shown and described.

DESCRIPTION

FIG. 1 is a right front perspective view of a sander showing a first embodiment of my new design.
FIG. 2 is a right side view of FIG. 1.
FIG. 3 is a left side view of FIG. 1.
FIG. 4 is a front view of FIG. 1.
FIG. 5 is a rear perspective view of FIG. 1.
FIG. 6 is a top view of FIG. 1; and,
FIG. 7 is a bottom view of FIG. 1.
The broken lines and areas within are for illustrative purposes only and form no part of the claimed design.

1 Claim, 6 Drawing Sheets



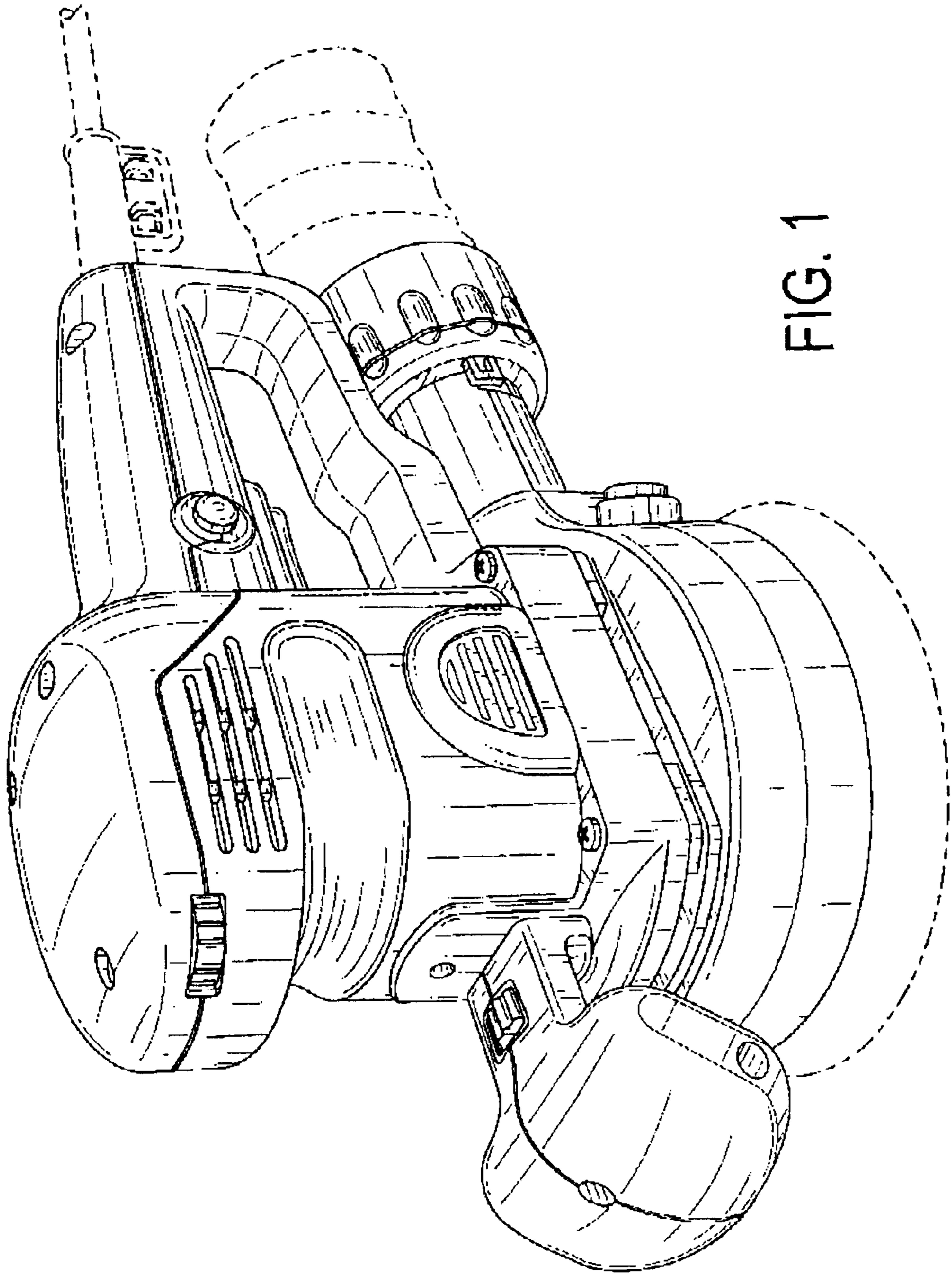


FIG. 1

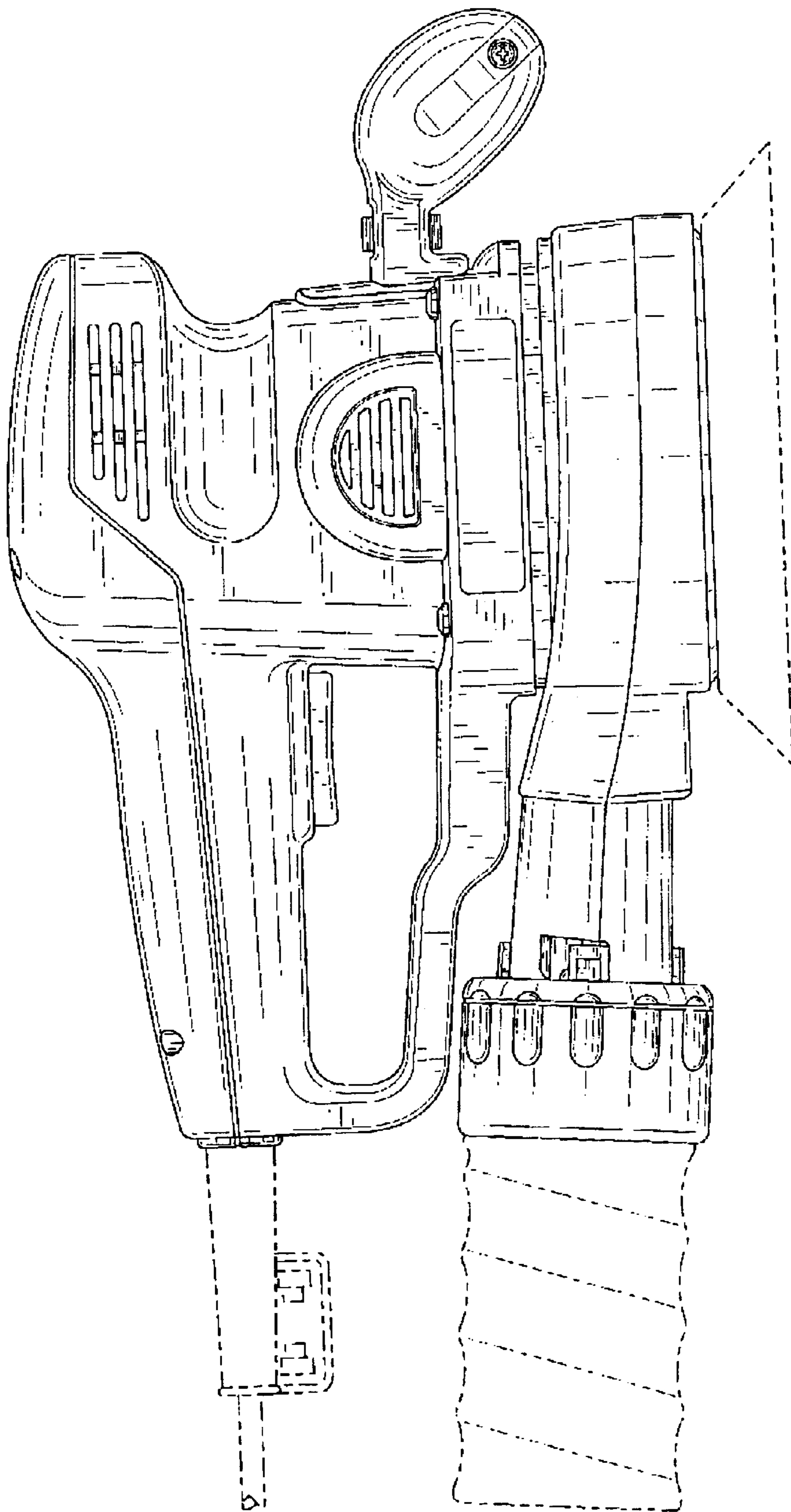


FIG. 2

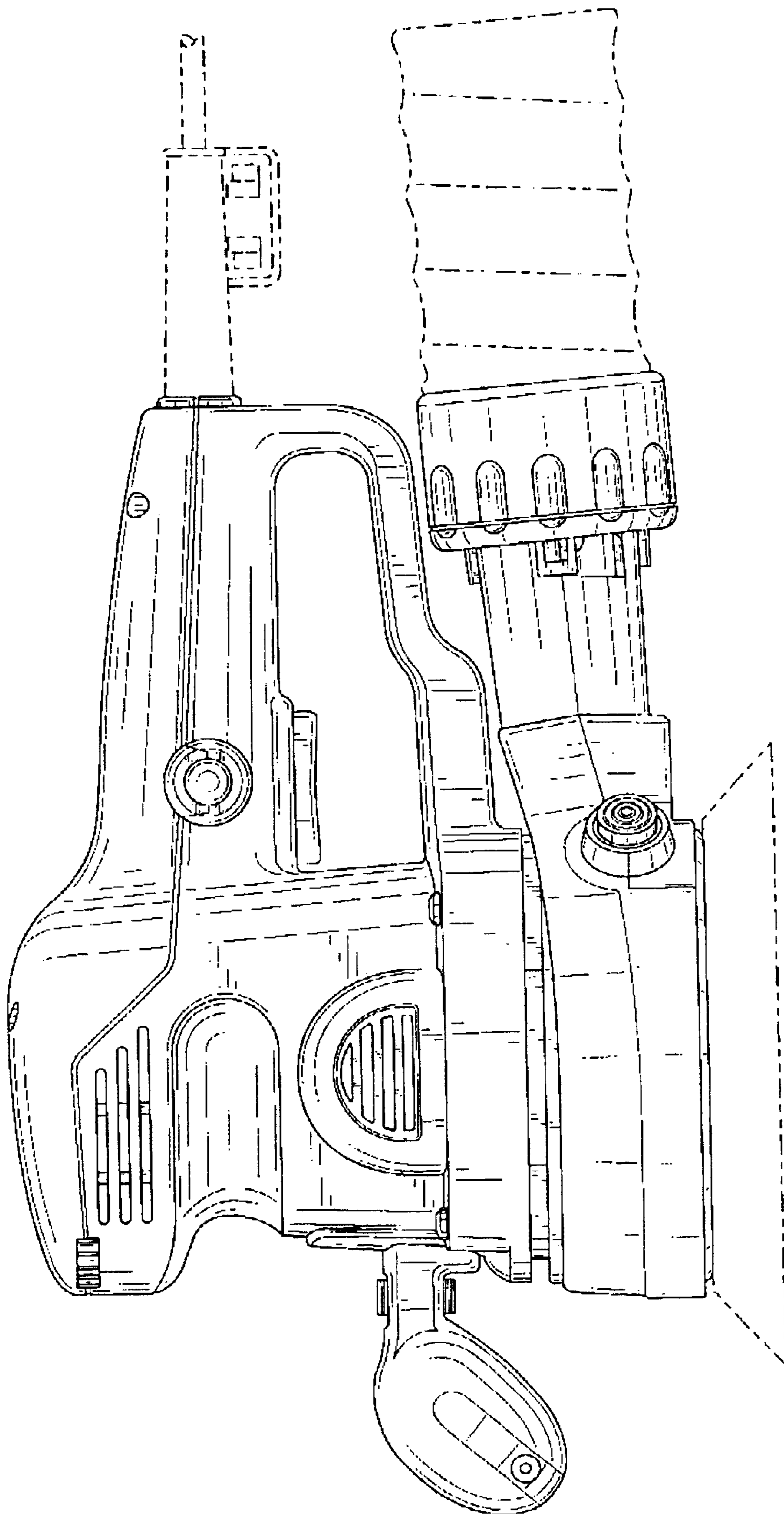


FIG. 3

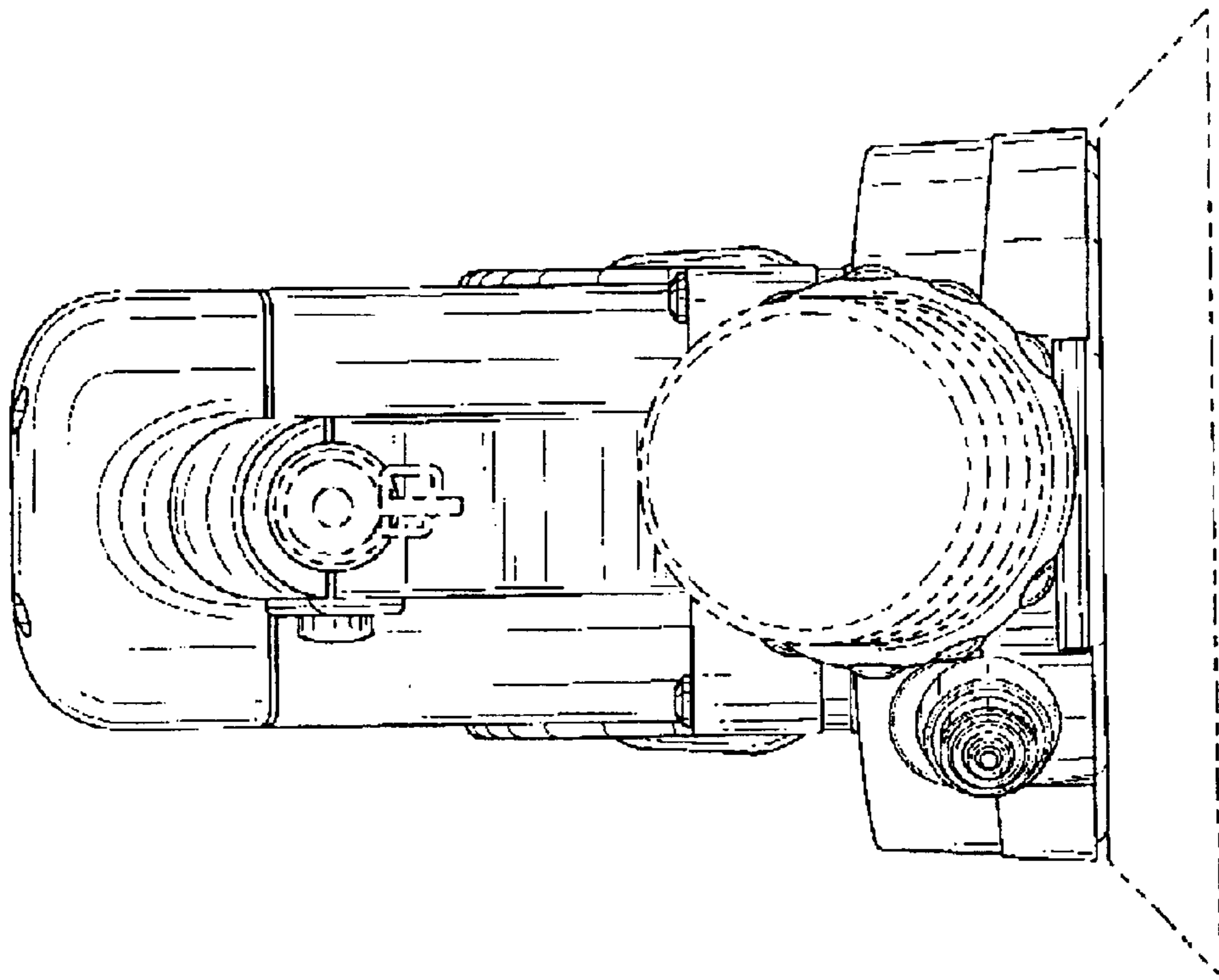


FIG. 5

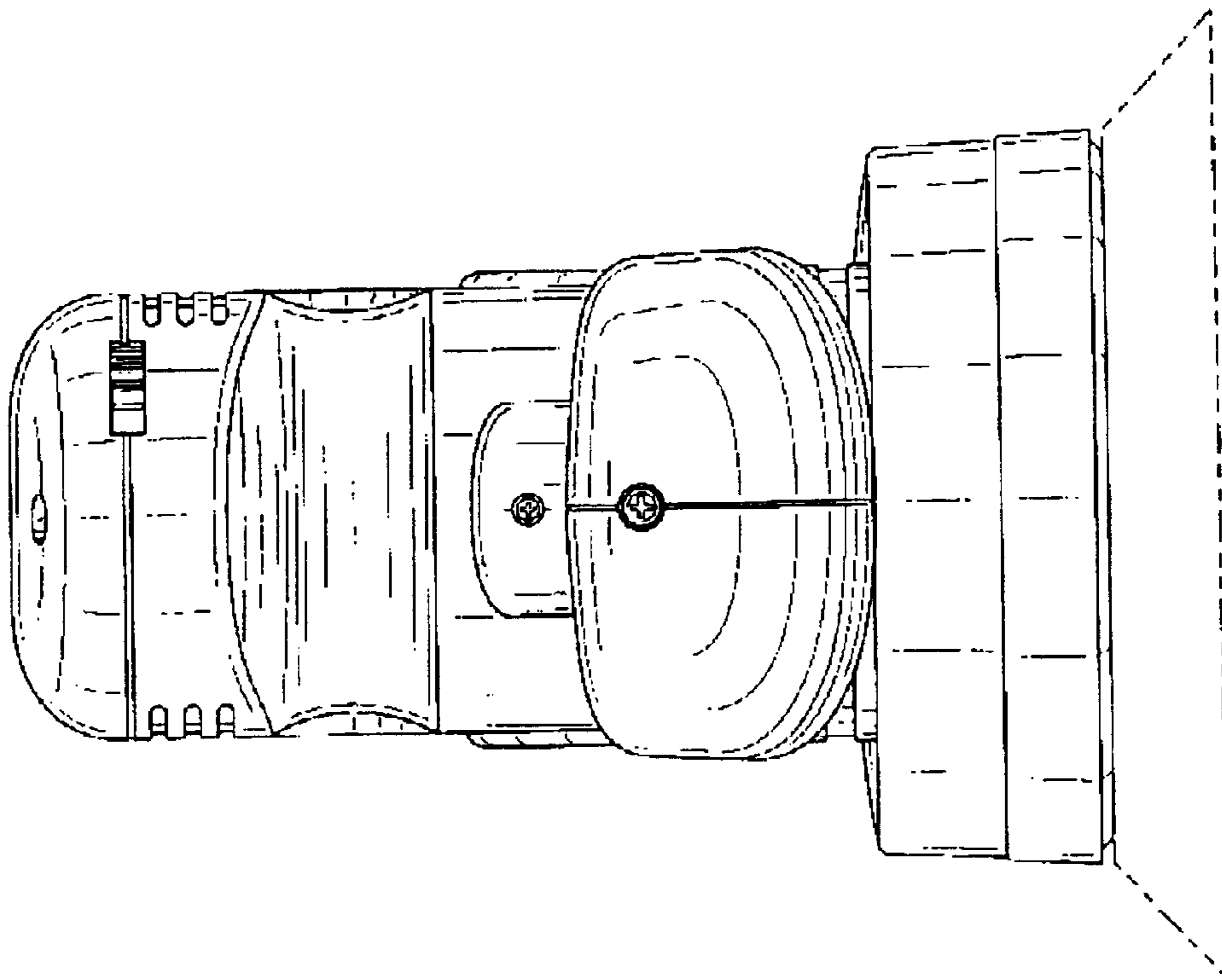


FIG. 4

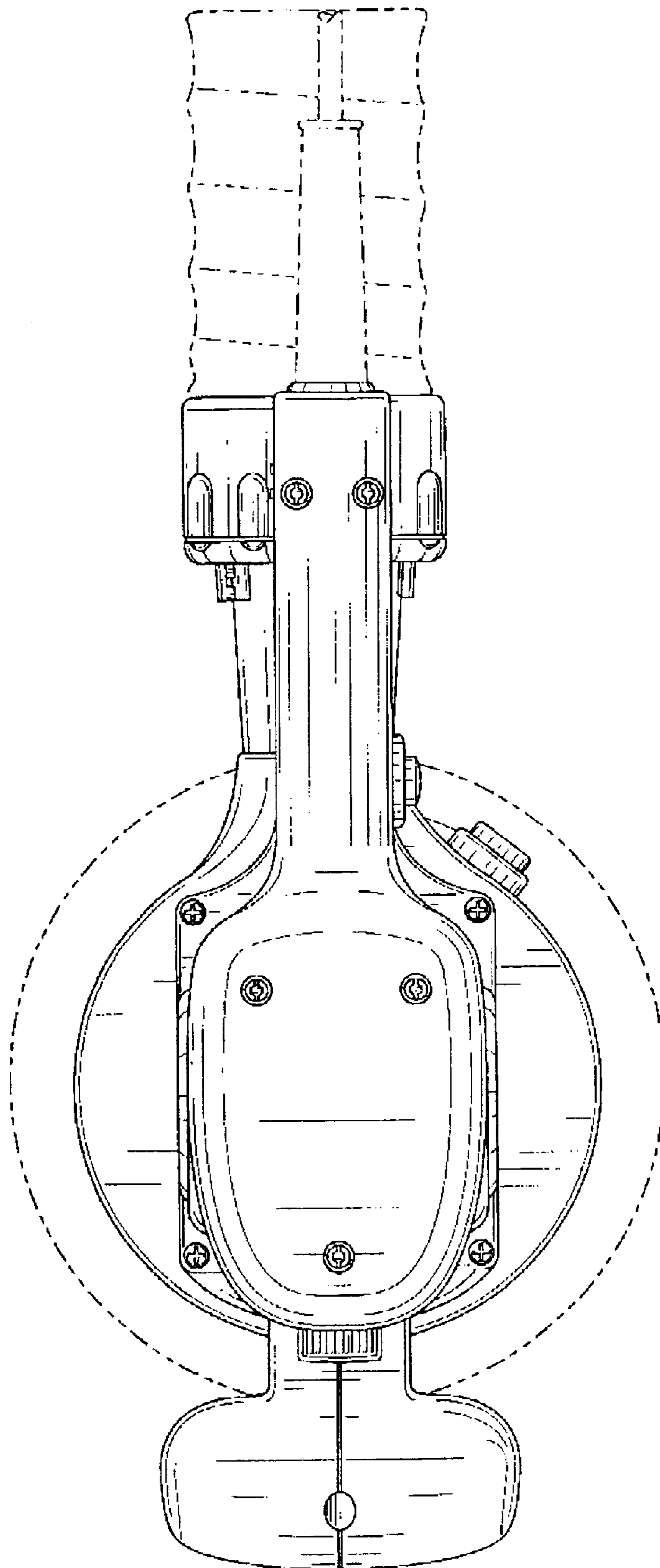


FIG. 6

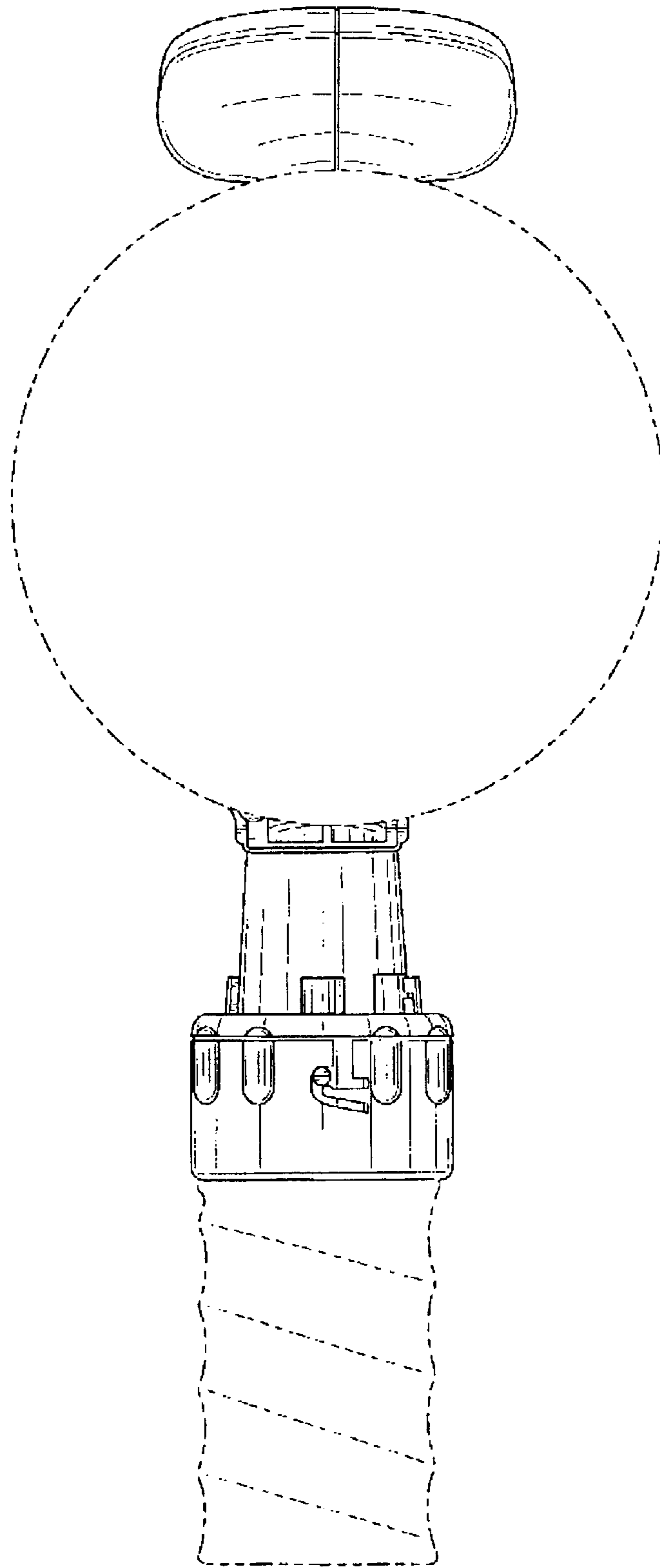


FIG. 7