



US00D490675S

(12) **United States Design Patent**
Liao

(10) **Patent No.:** **US D490,675 S**

(45) **Date of Patent:** **** Jun. 1, 2004**

(54) **PNEUMATIC TOOL**

(76) Inventor: **Yu-Hui Liao**, No. 206-19, Koakuan Rd.
Sec.1, Dali, Taichung (TW)

(**) Term: **14 Years**

(21) Appl. No.: **29/179,680**

(22) Filed: **Apr. 14, 2003**

(51) **LOC (7) Cl.** **01-10**

(52) **U.S. Cl.** **D8/61; D8/62; D8/68;**
D8/70

(58) **Field of Search** D8/61, 62, 68,
D8/70; 73/862.21; 81/57.11, 57.13, 57.14,
57.26, 57.29, 57.39, 57.42, 63.1, 63.2, 429,
464, 467, 469, 470, 473; 173/168, 169,
170, 176, 177, 178, 181, 21.6, 217; 310/50

(56) **References Cited**

U.S. PATENT DOCUMENTS

- 5,522,606 A * 6/1996 Pressley et al. 173/132
- D410,829 S * 6/1999 Heun D8/61
- 6,220,368 B1 * 4/2001 Ark et al. 173/170

* cited by examiner

Primary Examiner—Doris V. Coles

Assistant Examiner—Elizabeth Albert

(74) *Attorney, Agent, or Firm*—Charles E. Baxley

(57) **CLAIM**

The ornamental design for a pneumatic tool, as shown and described.

DESCRIPTION

FIG. 1 is a front-left-top perspective view of a pneumatic tool, showing my new design;
 FIG. 2 is a front elevational view thereof;
 FIG. 3 is a rear elevational view thereof;
 FIG. 4 is a left side view thereof (the right side view being a mirror image thereof);
 FIG. 5 is a top plan view thereof;
 FIG. 6 is a bottom plan view thereof; and,
 FIG. 7 is a perspective view of the pneumatic tool of my new design, with a screwdriver set connected thereto, the broken line drawing of the screwdriver set is for illustrative purposes only and forms no part of the claimed design.

1 Claim, 4 Drawing Sheets

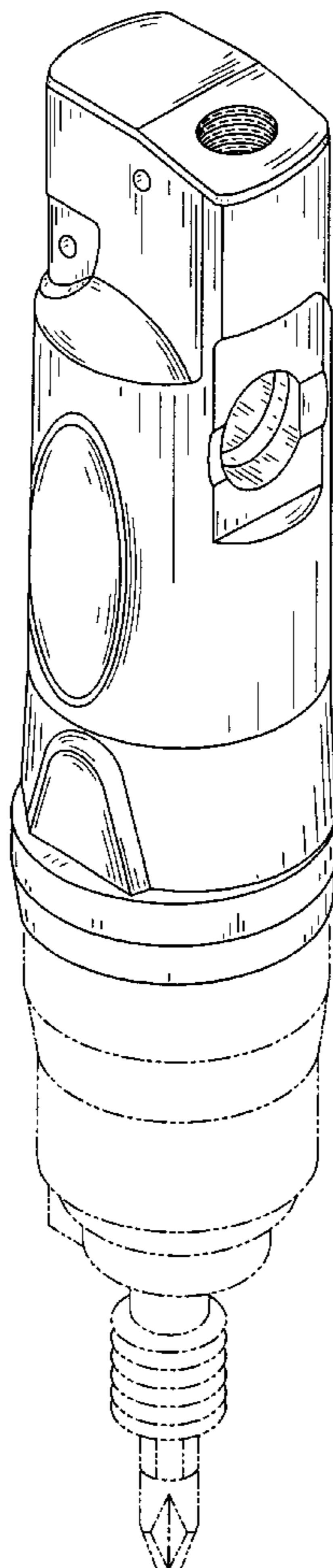


FIG. 1

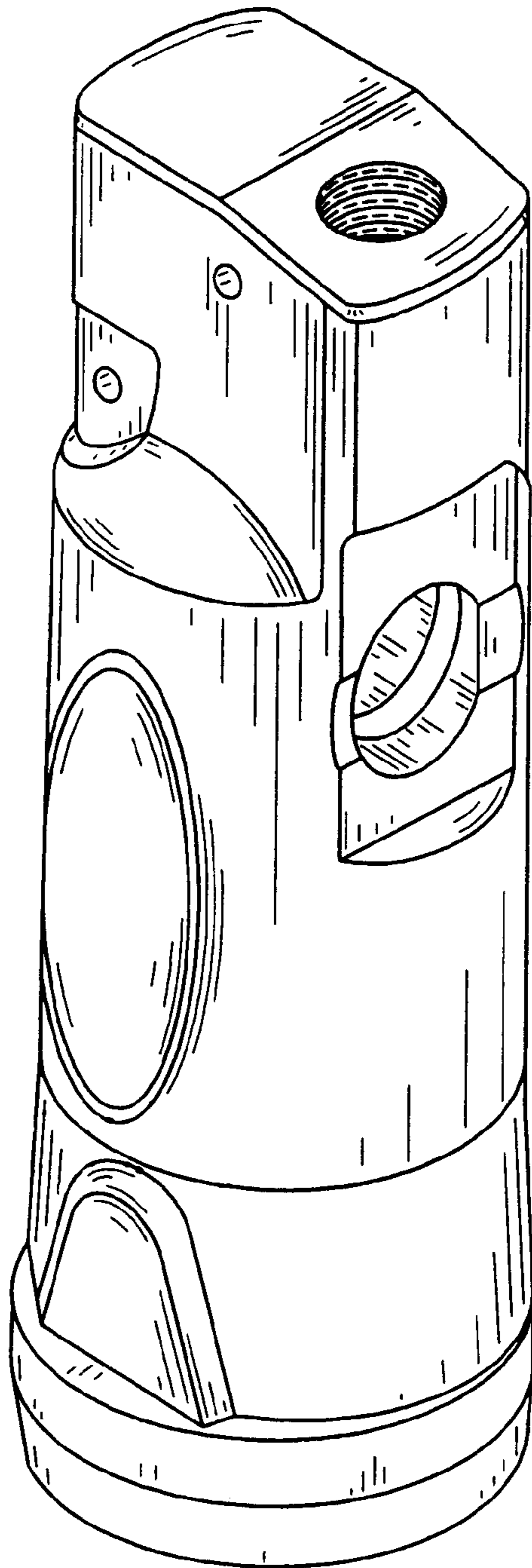


FIG. 2

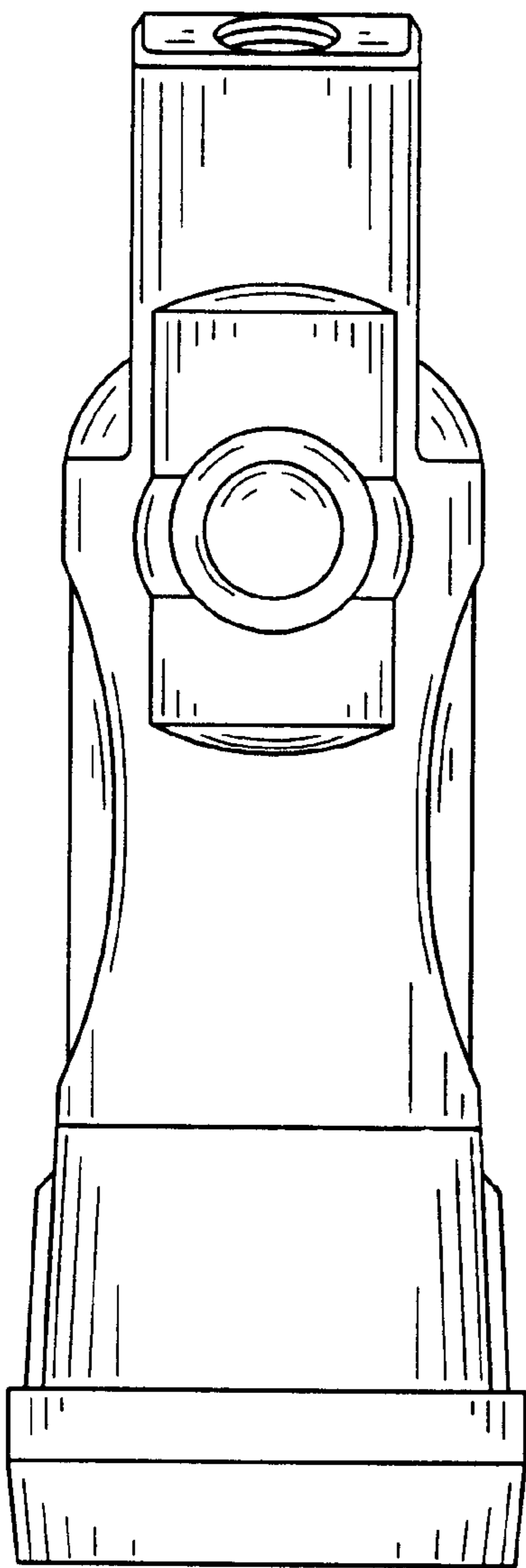


FIG. 3

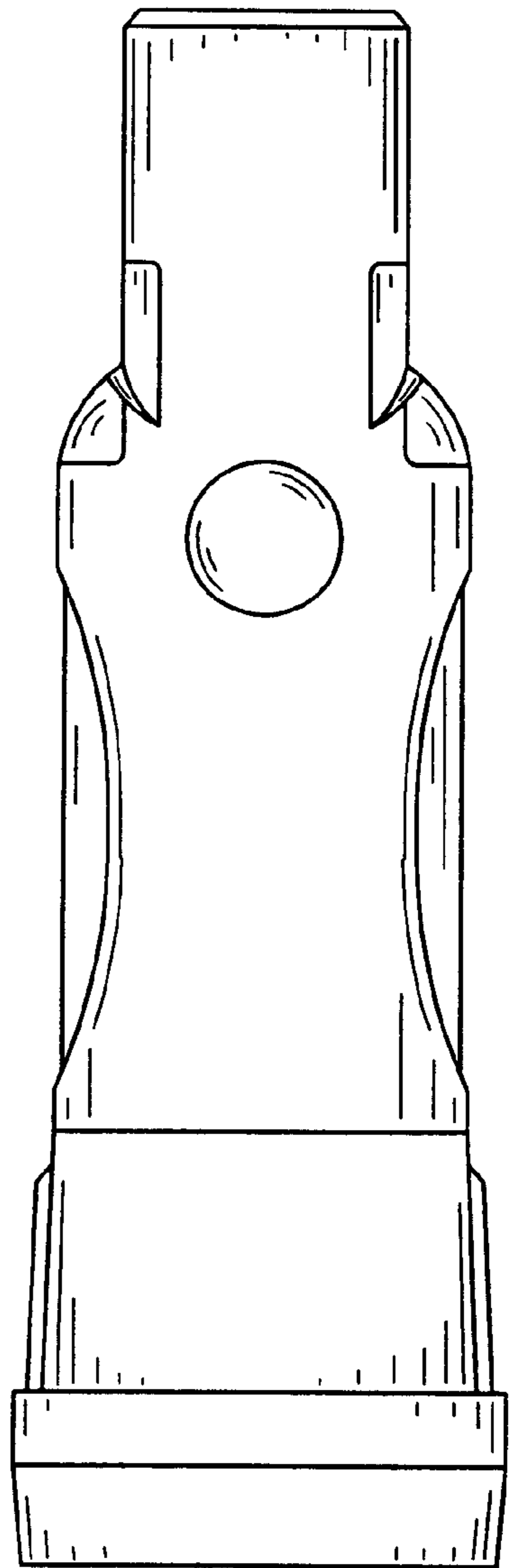


FIG. 5

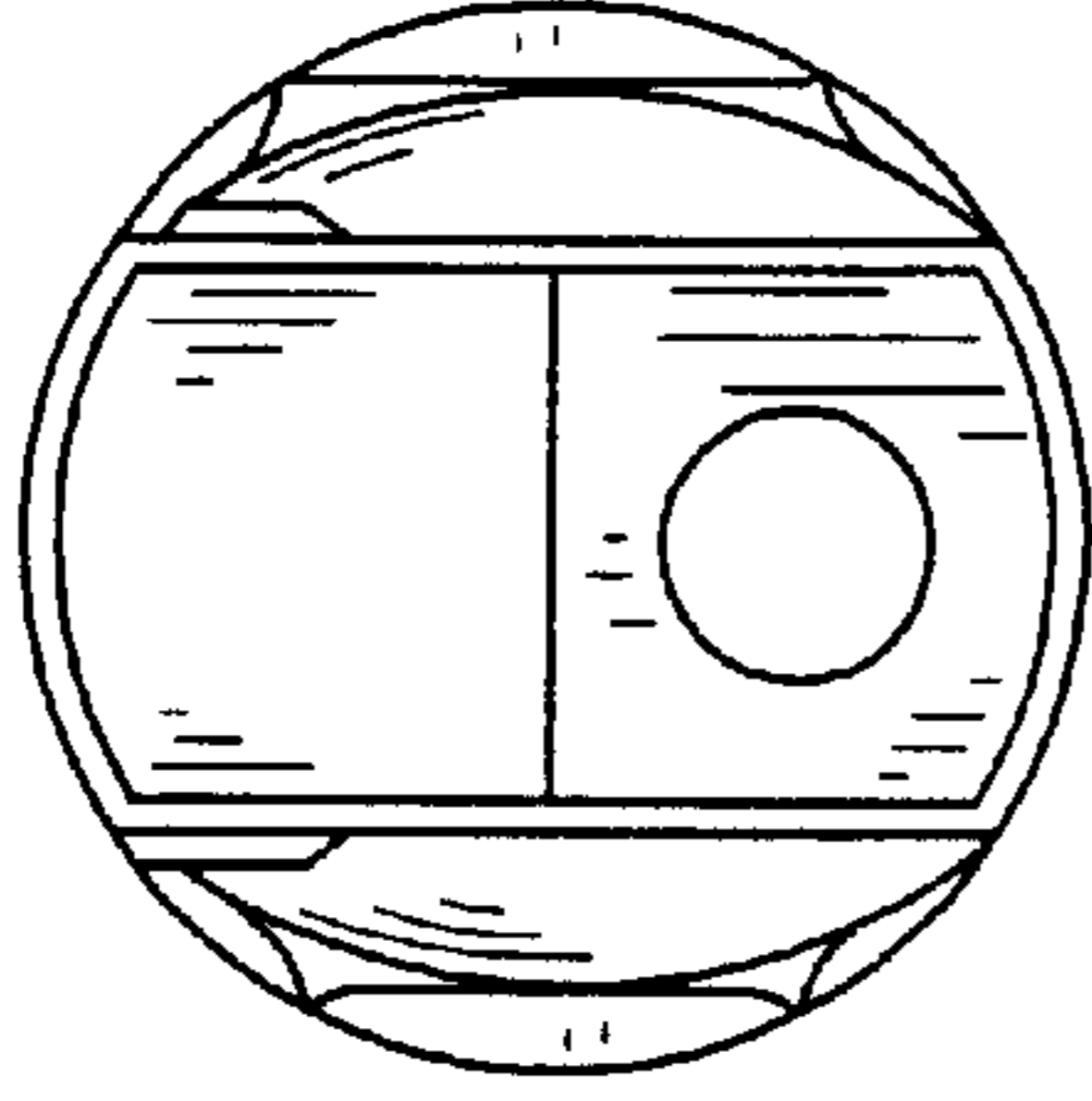


FIG. 6

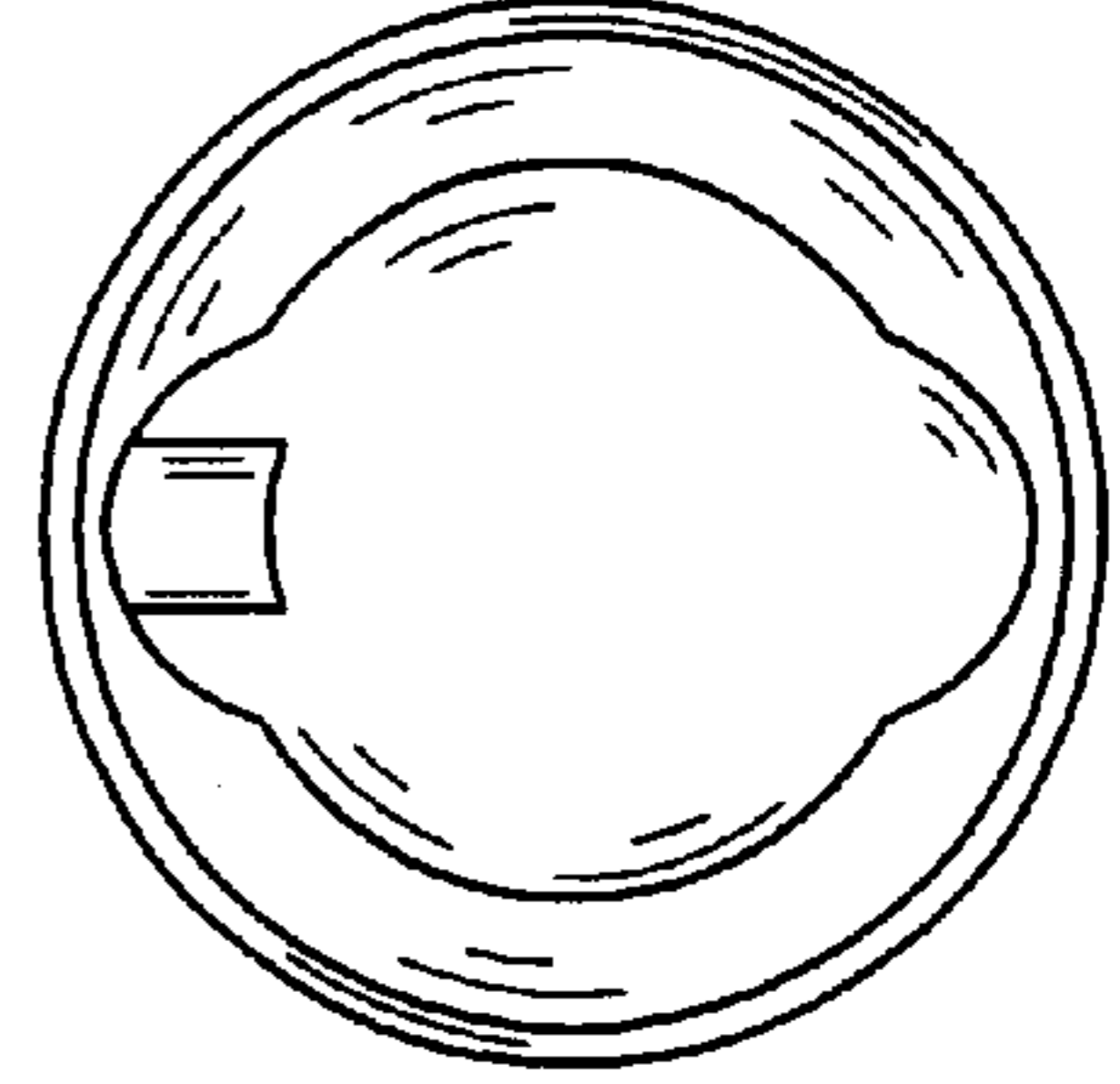


FIG. 4

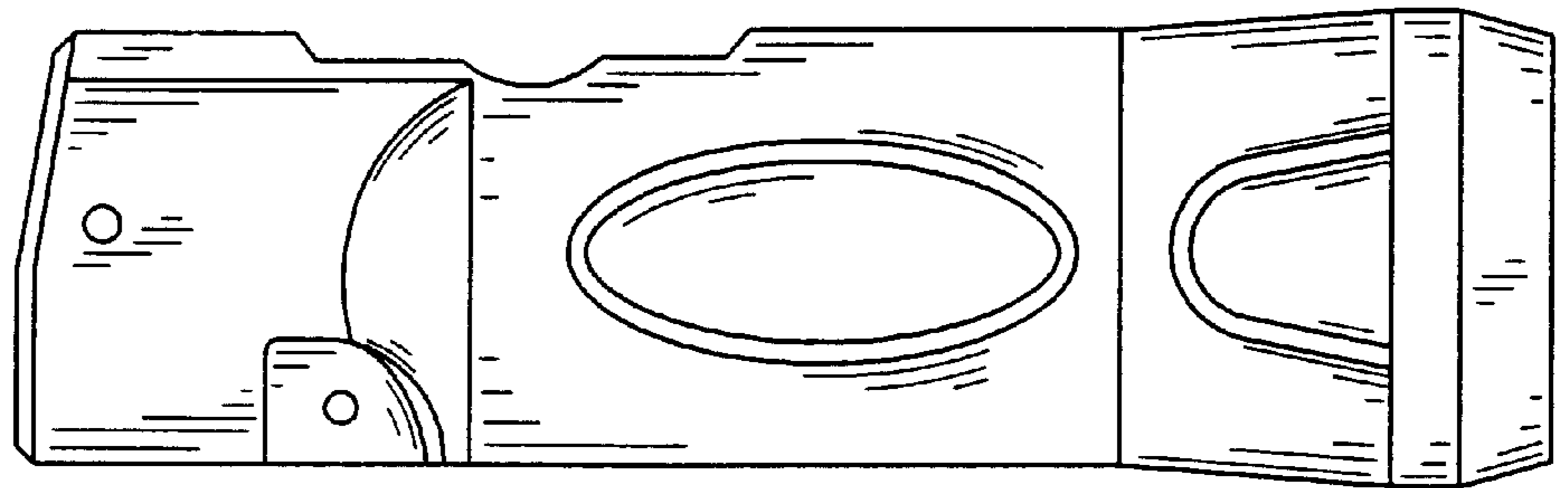


FIG. 7

