



US00D490674S

(12) **United States Design Patent**
Higgs

(10) **Patent No.: US D490,674 S**

(45) **Date of Patent: ** Jun. 1, 2004**

(54) **HAND TOOL, PARTICULARLY FOR TRIMMING PIPES**

(75) **Inventor: David Edward Higgs, Sutton Coldfield (GB)**

(73) **Assignees: AAC Limited, West Midlands (GB); Rivermill Construction Limited, West Midlands (GB)**

(**) **Term: 14 Years**

(21) **Appl. No.: 29/173,890**

(22) **Filed: Jan. 7, 2003**

(30) **Foreign Application Priority Data**

Jul. 10, 2002 (GB) 3005178

(51) **LOC (7) Cl. 08-08**

(52) **U.S. Cl. D8/60; D8/59**

(58) **Field of Search D8/51, 60, 98, D8/59; 30/92-96, 101, 115, 272.1; 408/120, 231; 81/418**

(56) **References Cited**

U.S. PATENT DOCUMENTS

1,418,323 A * 6/1922 Nonneman 408/120

D191,011 S	*	8/1961	Noveske	D8/60
D204,094 S	*	3/1966	Hickman	D8/60
3,396,467 A	*	8/1968	Scocozza	30/95
4,146,959 A	*	4/1979	Hopper	30/95
D270,808 S	*	10/1983	Wolcott	D8/60
4,422,238 A	*	12/1983	Kloster	30/101
D431,765 S	*	10/2000	Huang	D8/60

* cited by examiner

Primary Examiner—Clare E. Heflin

(74) *Attorney, Agent, or Firm*—Smith-Hill and Bedell

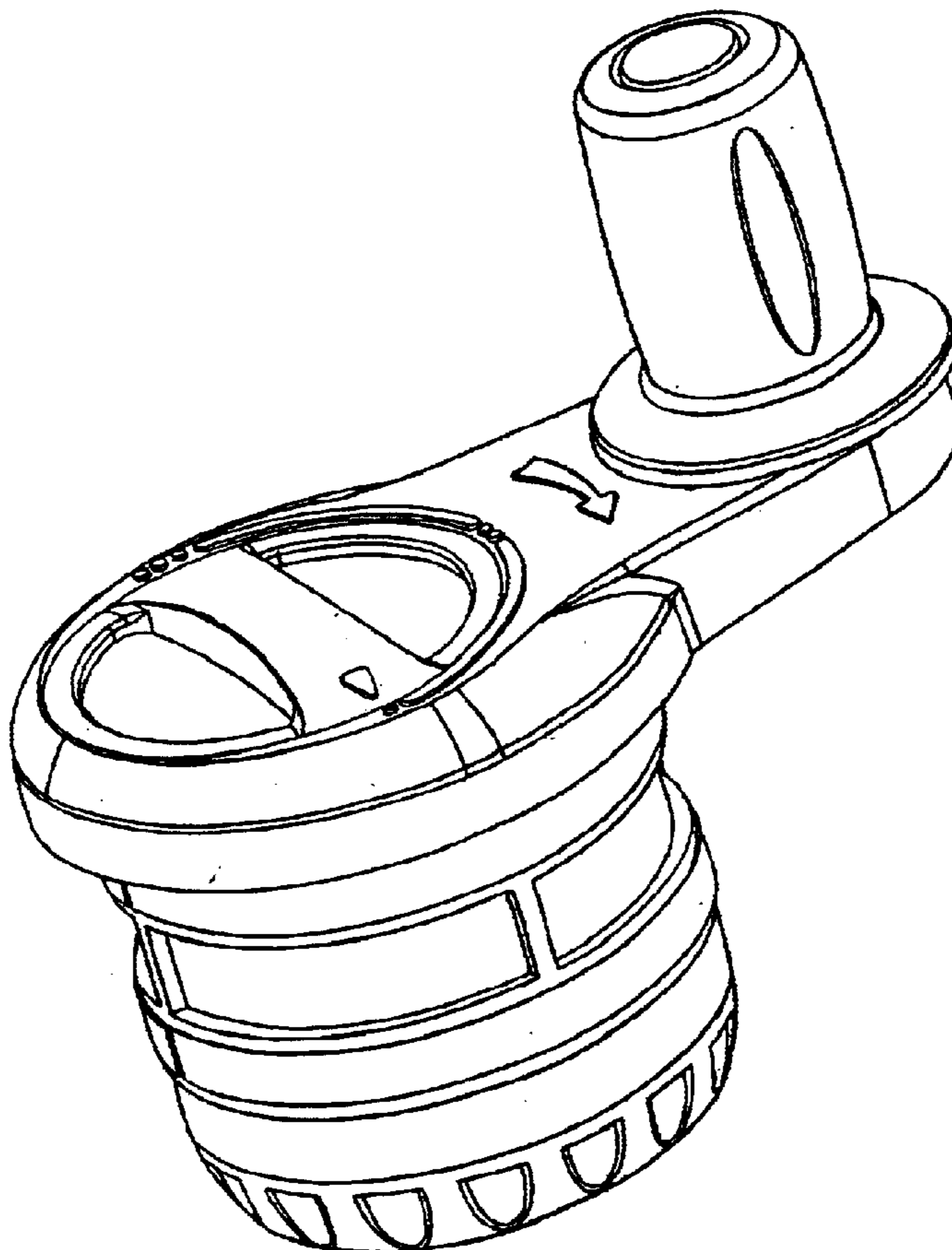
(57) **CLAIM**

The ornamental design for a hand tool, particularly for trimming pipes, as shown and described.

DESCRIPTION

FIG. 1 is a top plan view of a hand tool showing my new design,
FIG. 2 is bottom plan view thereof,
FIG. 3 is a right side elevation thereof,
FIG. 4 is a front elevation thereof, the rear elevation being essentially a mirror image of the front elevation,
FIG. 5 is a left side elevation thereof; and,
FIG. 6 is a perspective view thereof.

1 Claim, 2 Drawing Sheets



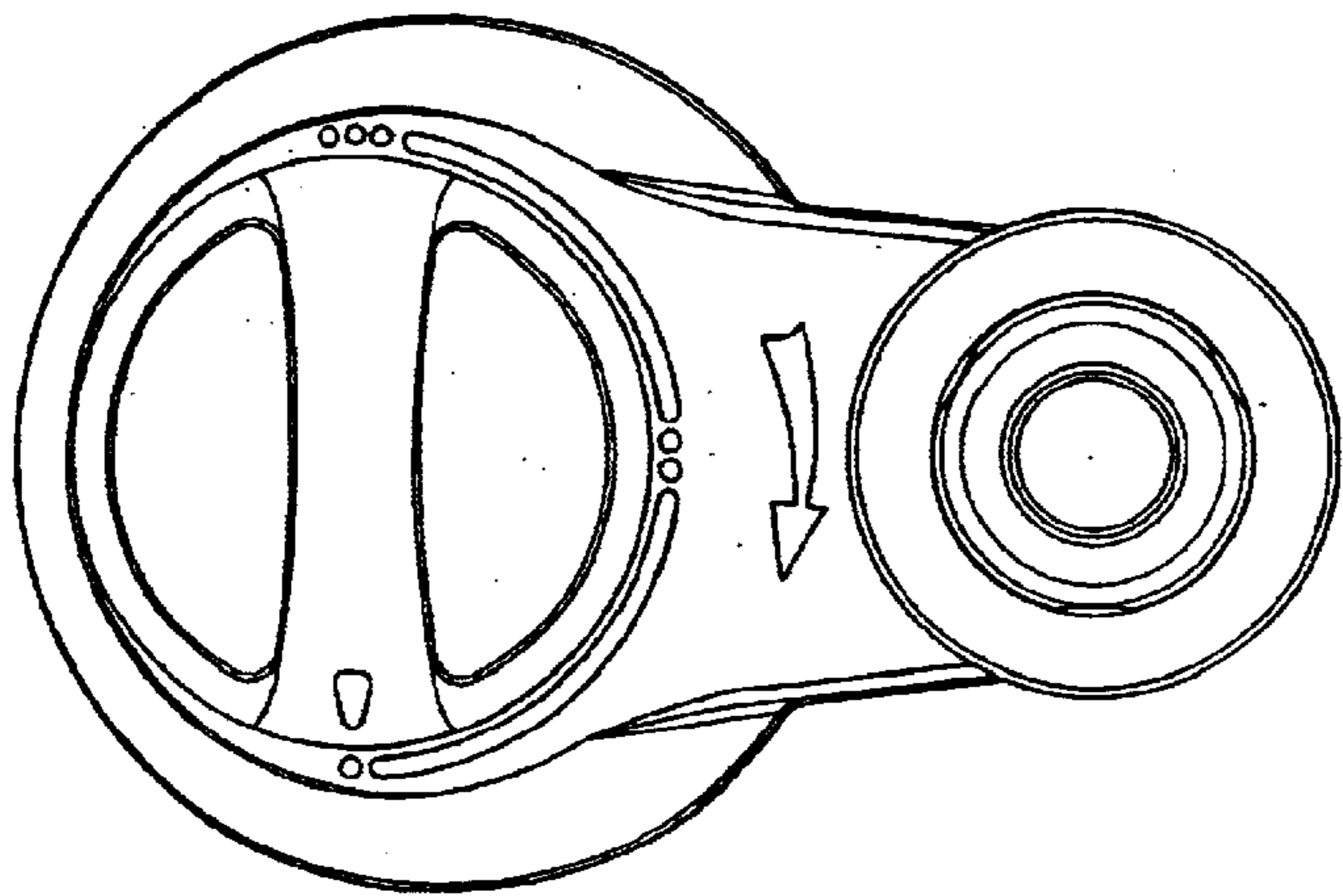


FIG. 1

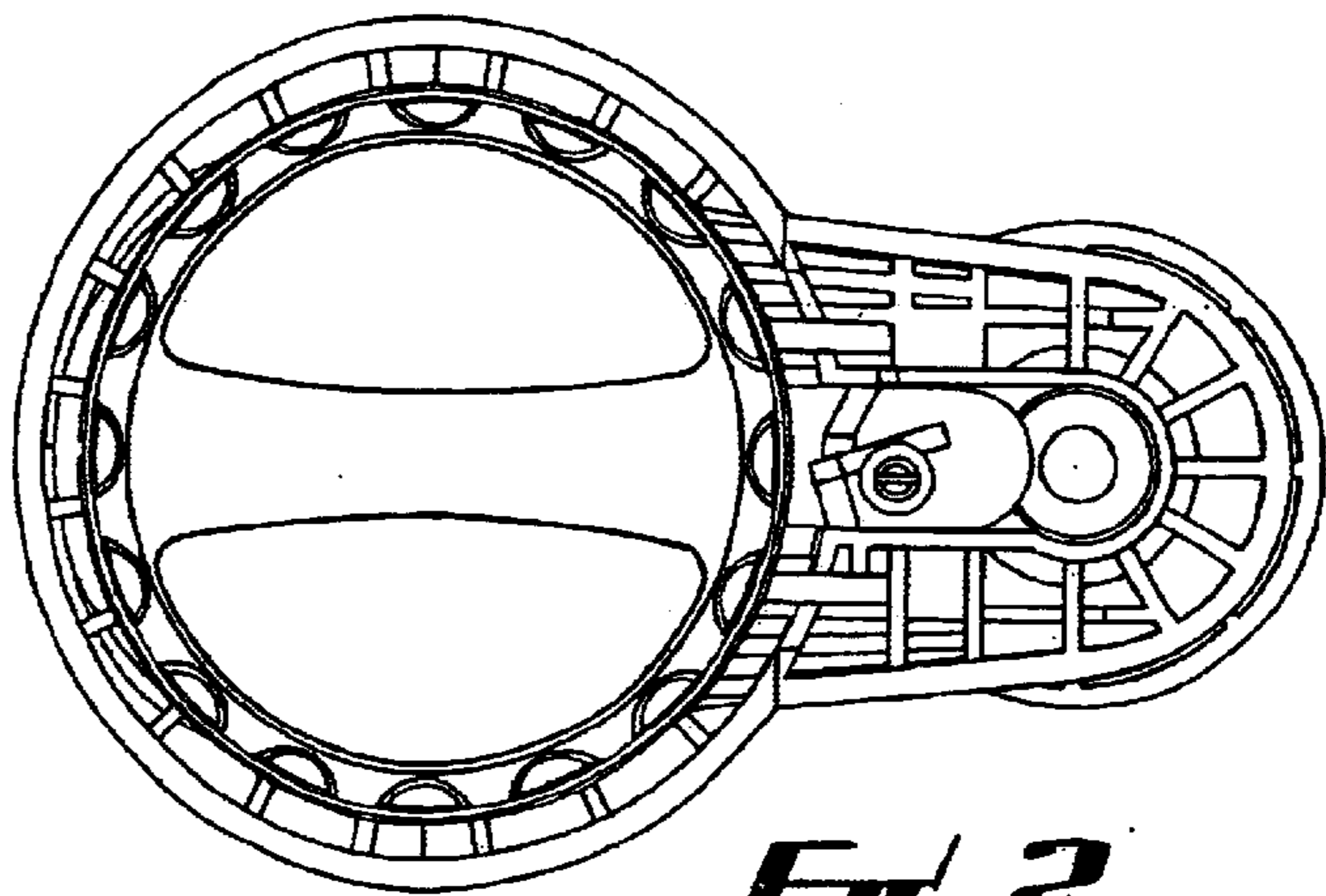


FIG. 2

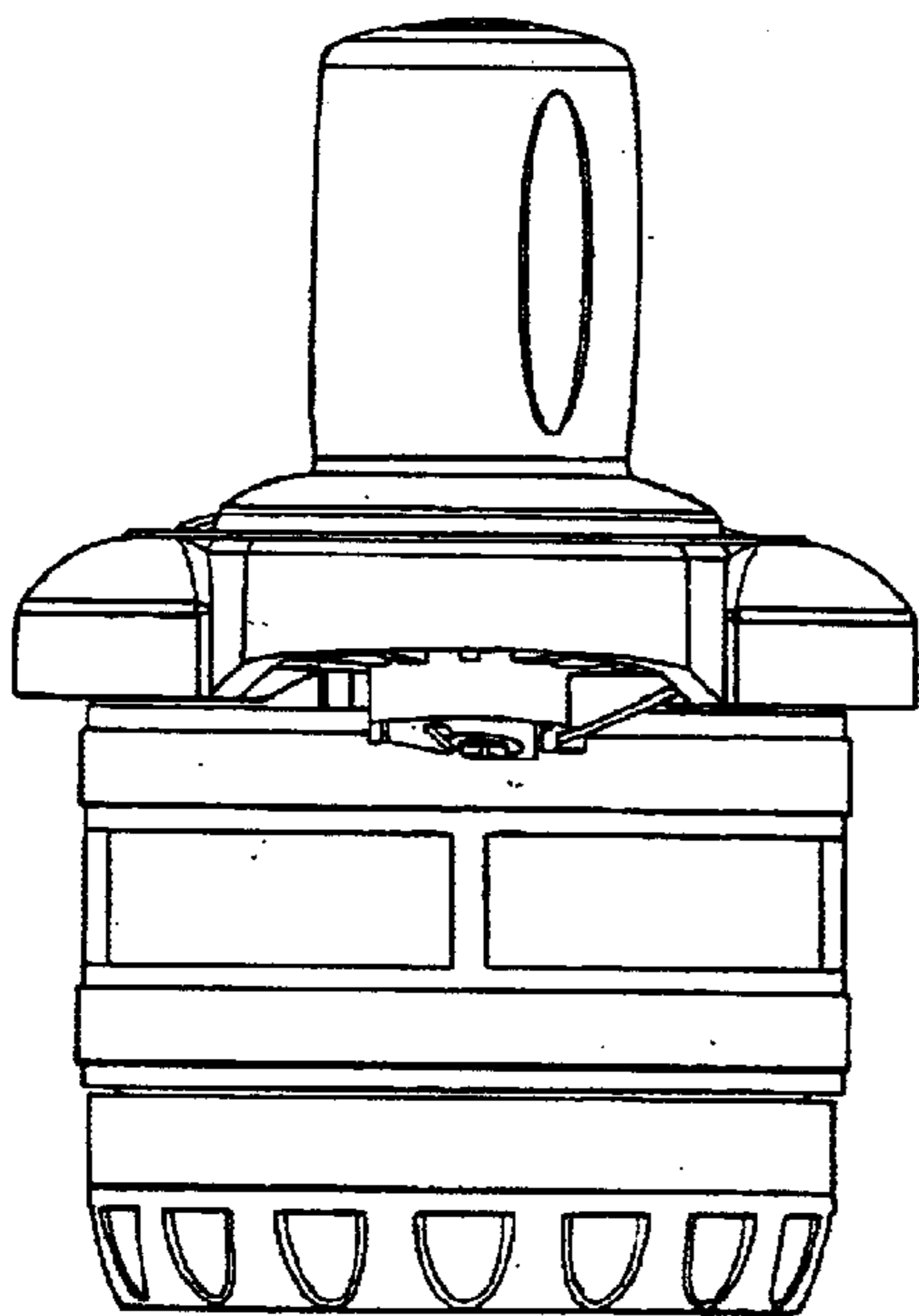


FIG. 3

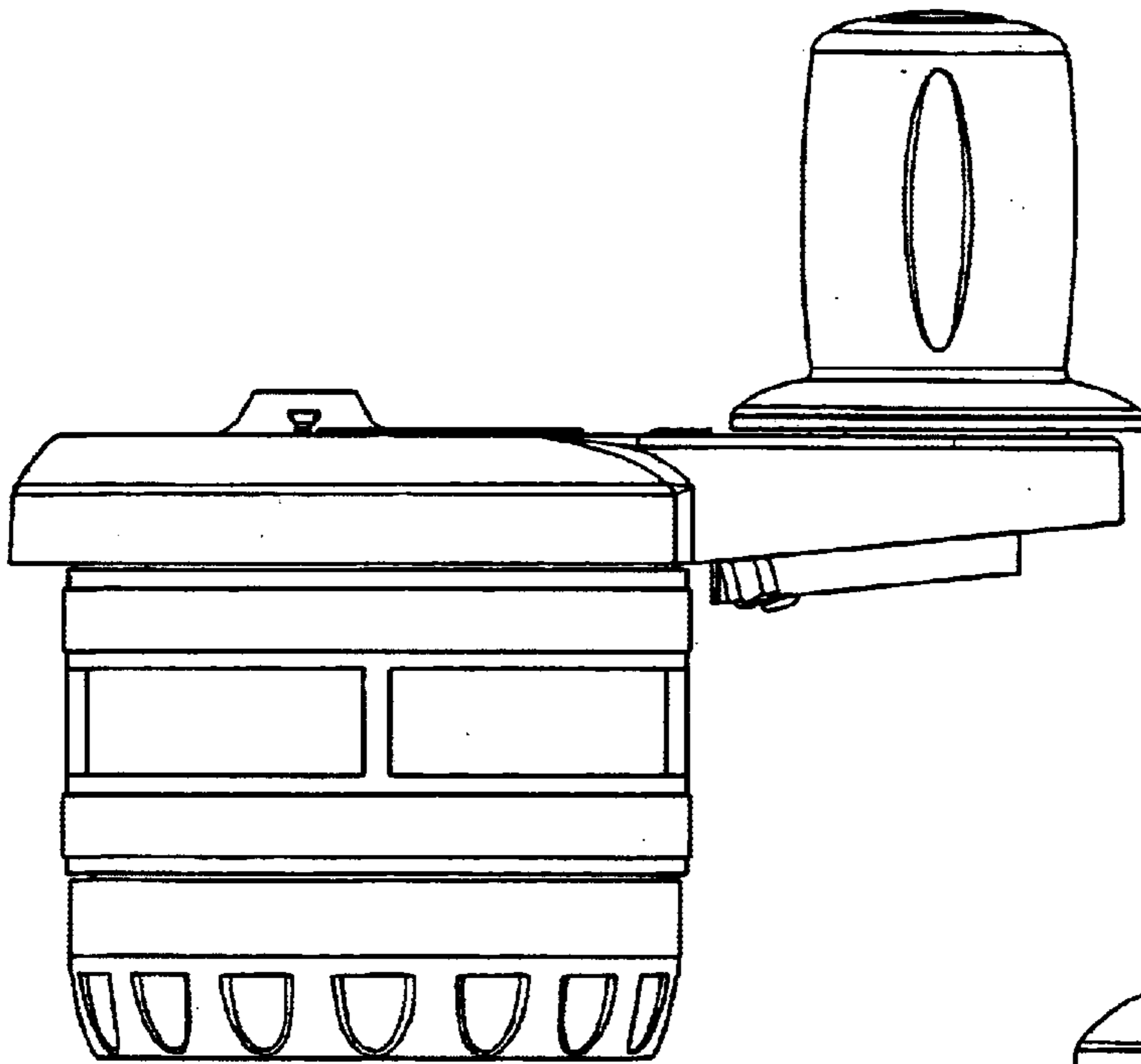


FIG. 4

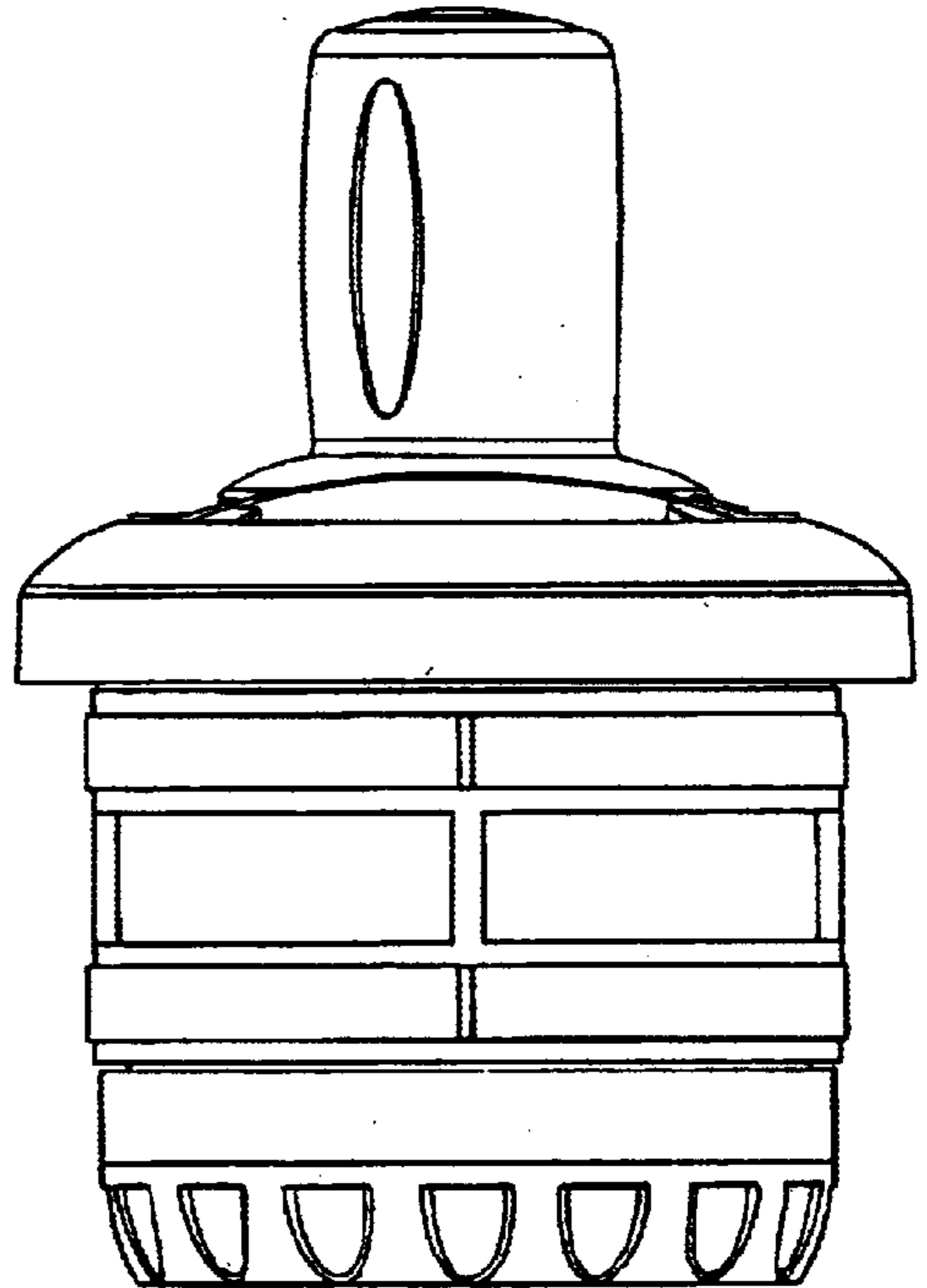


FIG. 5

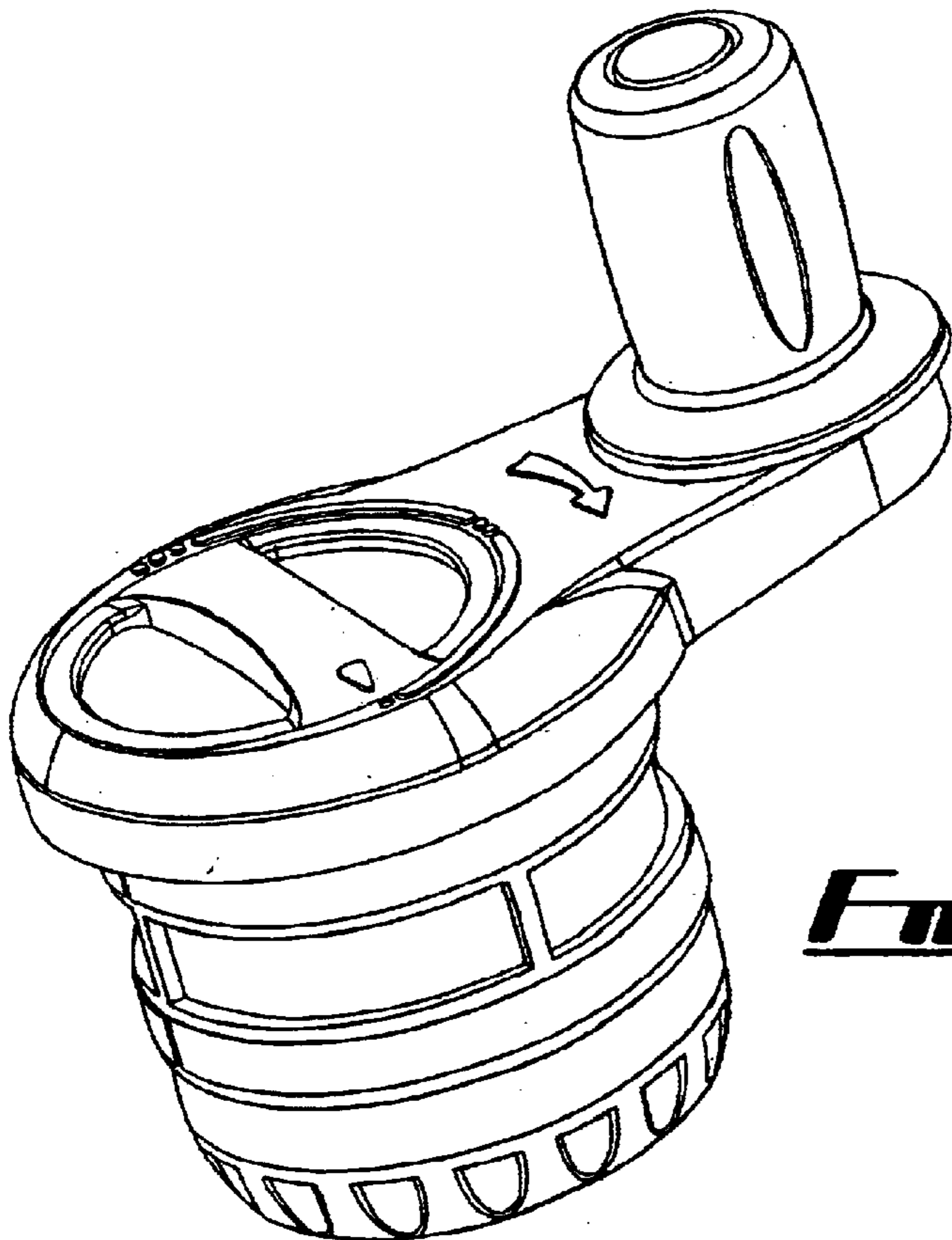


FIG. 6