



US00D490671S

(12) **United States Design Patent**
Hung

(10) **Patent No.:** **US D490,671 S**

(45) **Date of Patent:** **** Jun. 1, 2004**

(54) **AIR GREASE GUNS**

(75) **Inventor:** **Fu Tien Hung**, Taichung (TW)

(73) **Assignee:** **King Cho Machinery Industrial Co., Ltd.**, Taichung (TW)

(**) **Term:** **14 Years**

(21) **Appl. No.:** **29/190,898**

(22) **Filed:** **Sep. 30, 2003**

(51) **LOC (7) Cl.** **08-05**

(52) **U.S. Cl.** **D8/14.1**

(58) **Field of Search** D8/14, 14.1, 2,
D8/29.1; D15/150; 222/262

(56) **References Cited**

U.S. PATENT DOCUMENTS

2,505,829	A	*	5/1950	Herbert	222/262
2,505,839	A	*	5/1950	Herbert	222/262
D427,864	S	*	7/2000	Kowalchik et al.	D8/14.1

OTHER PUBLICATIONS

RF Air Tools, air grease gun—model RF-6201, no page number, located at top of page, Aug. 15, 1995.*

* cited by examiner

Primary Examiner—Holly Baynham

(74) *Attorney, Agent, or Firm*—Rosenberg, Klein & Lee

(57) **CLAIM**

The ornamental design for air grease gun, as shown and described.

DESCRIPTION

FIG. 1 is a perspective view of a air grease gun showing my new design thereof;

FIG. 2 is a front elevational view thereof;

FIG. 3 is a rear elevational view thereof;

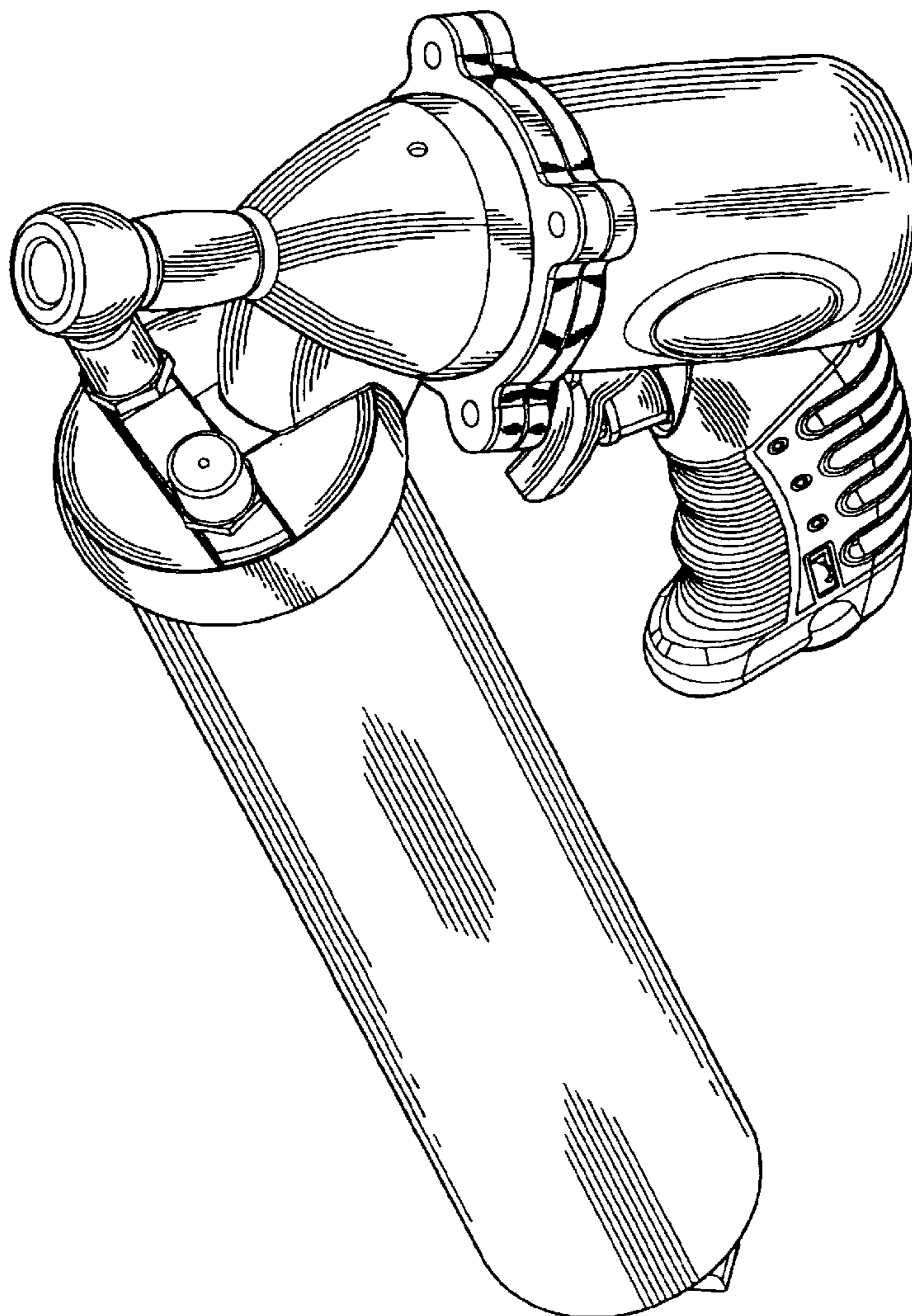
FIG. 4 is a left elevational view thereof;

FIG. 5 is a right elevational view thereof;

FIG. 6 is a top plane view thereof; and,

FIG. 7 is a bottom plane view thereof.

1 Claim, 7 Drawing Sheets



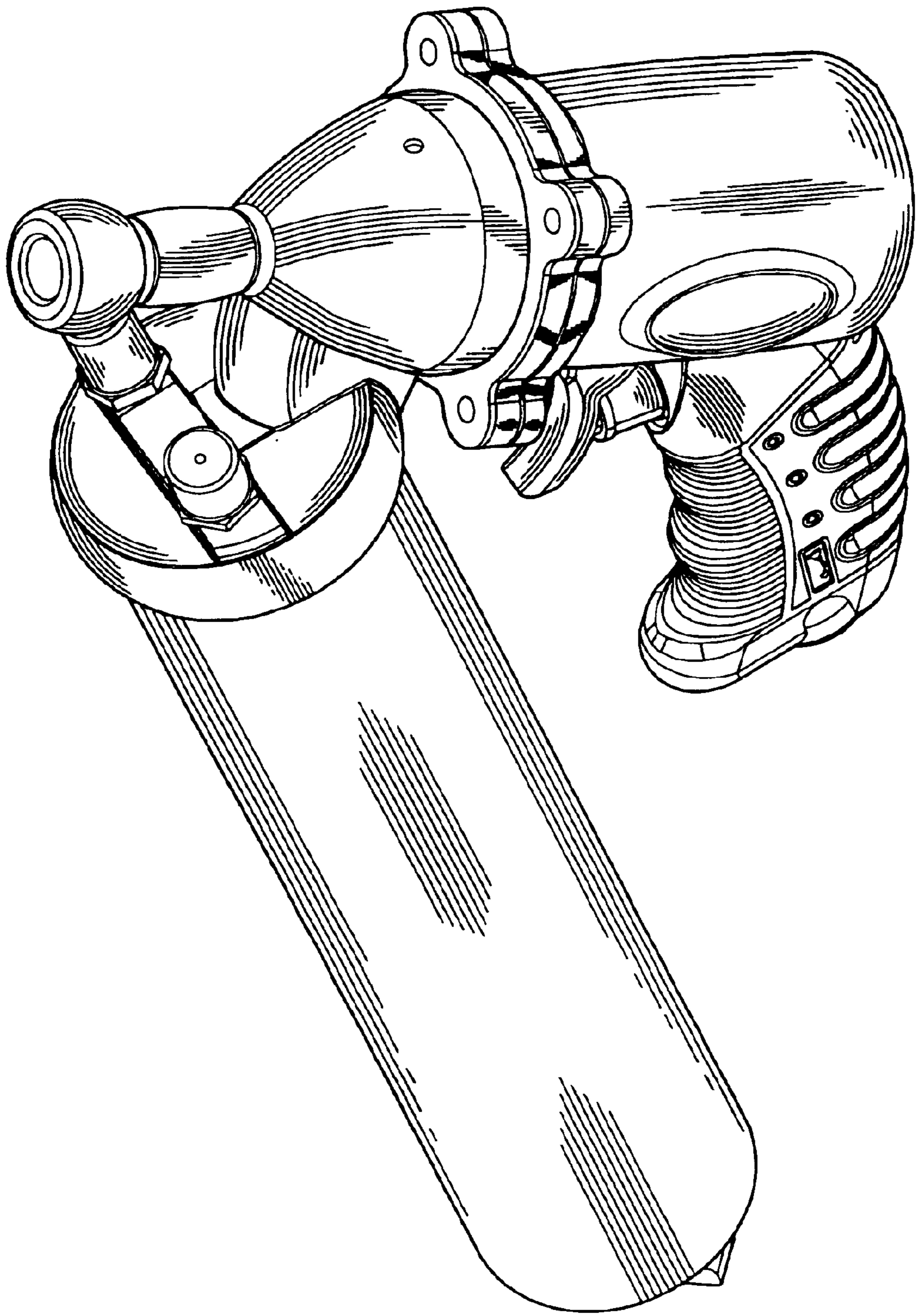


FIG. 1

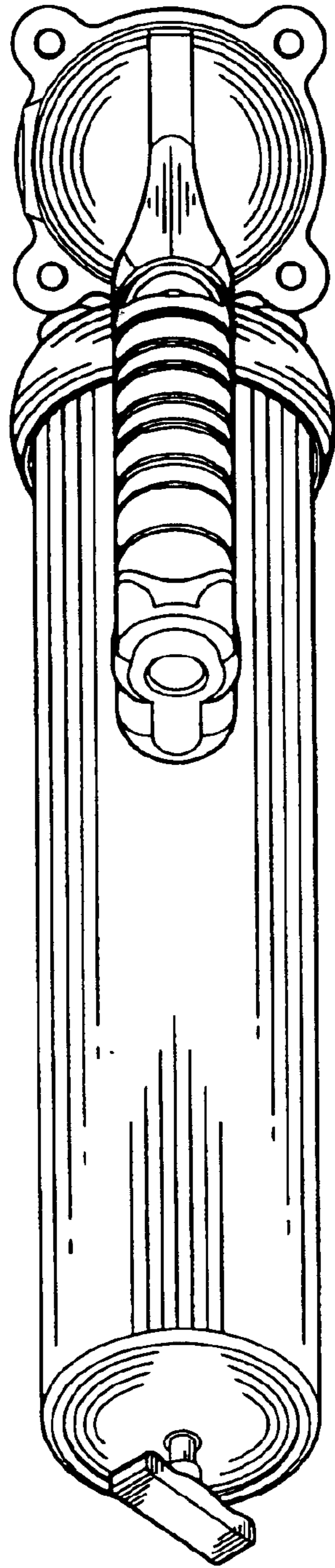


FIG. 2

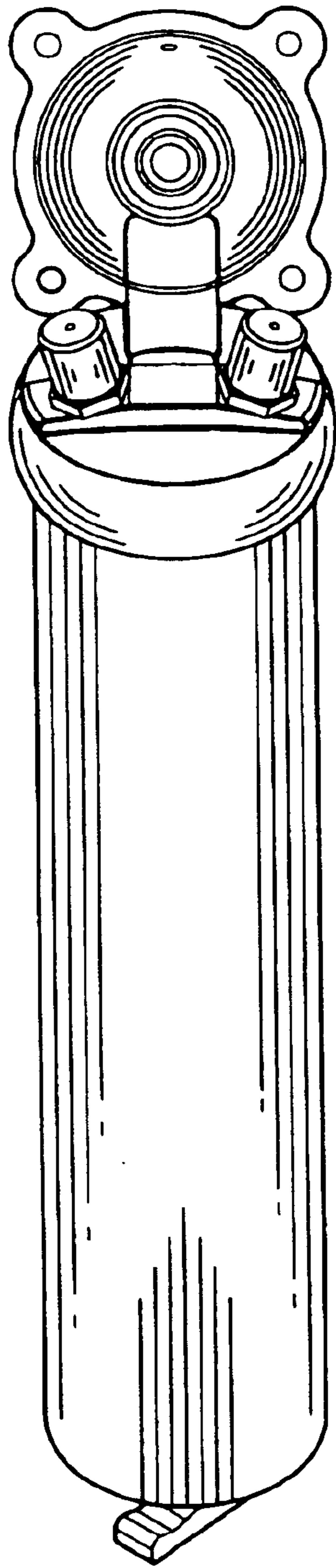


FIG. 3

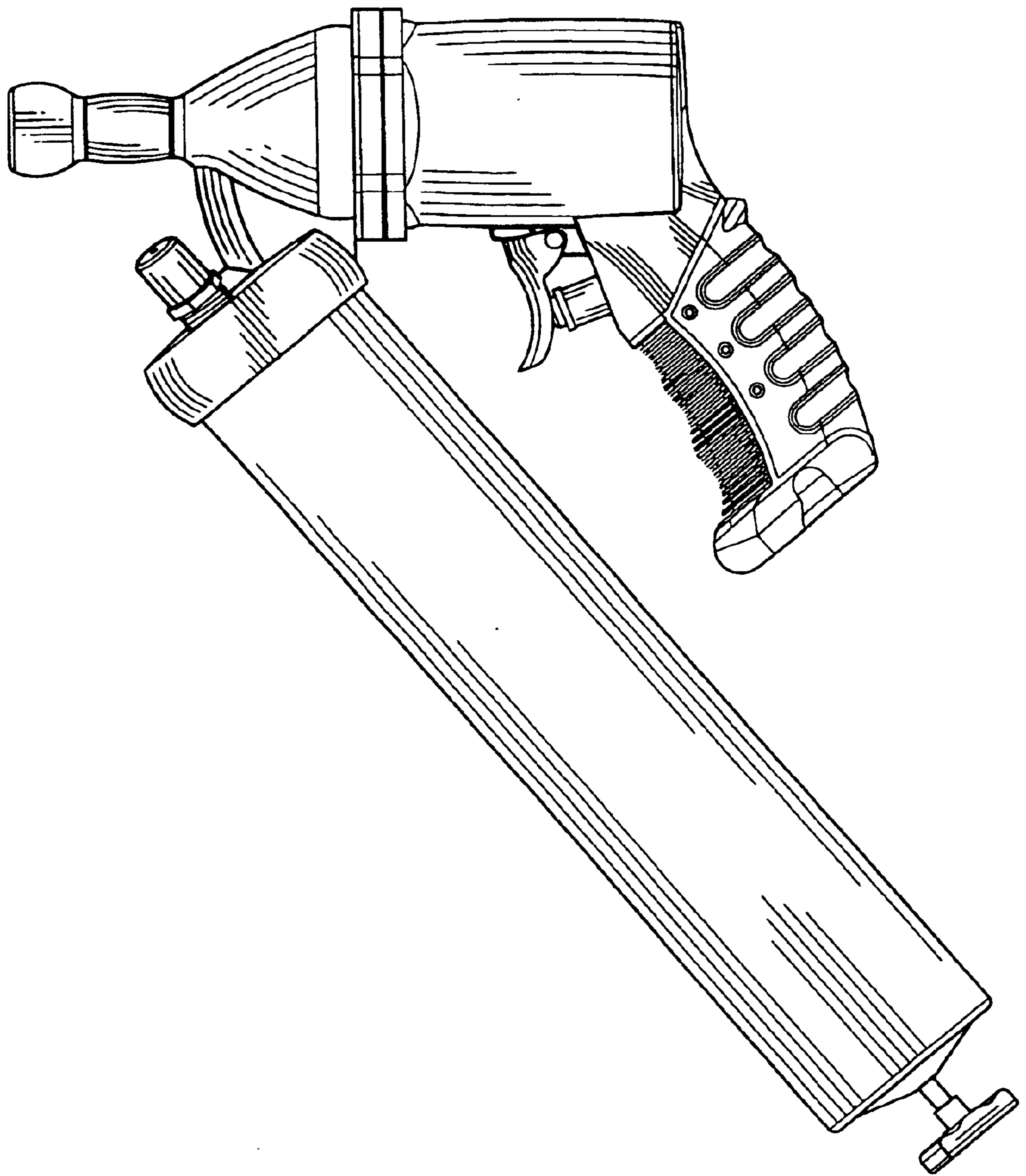


FIG. 4

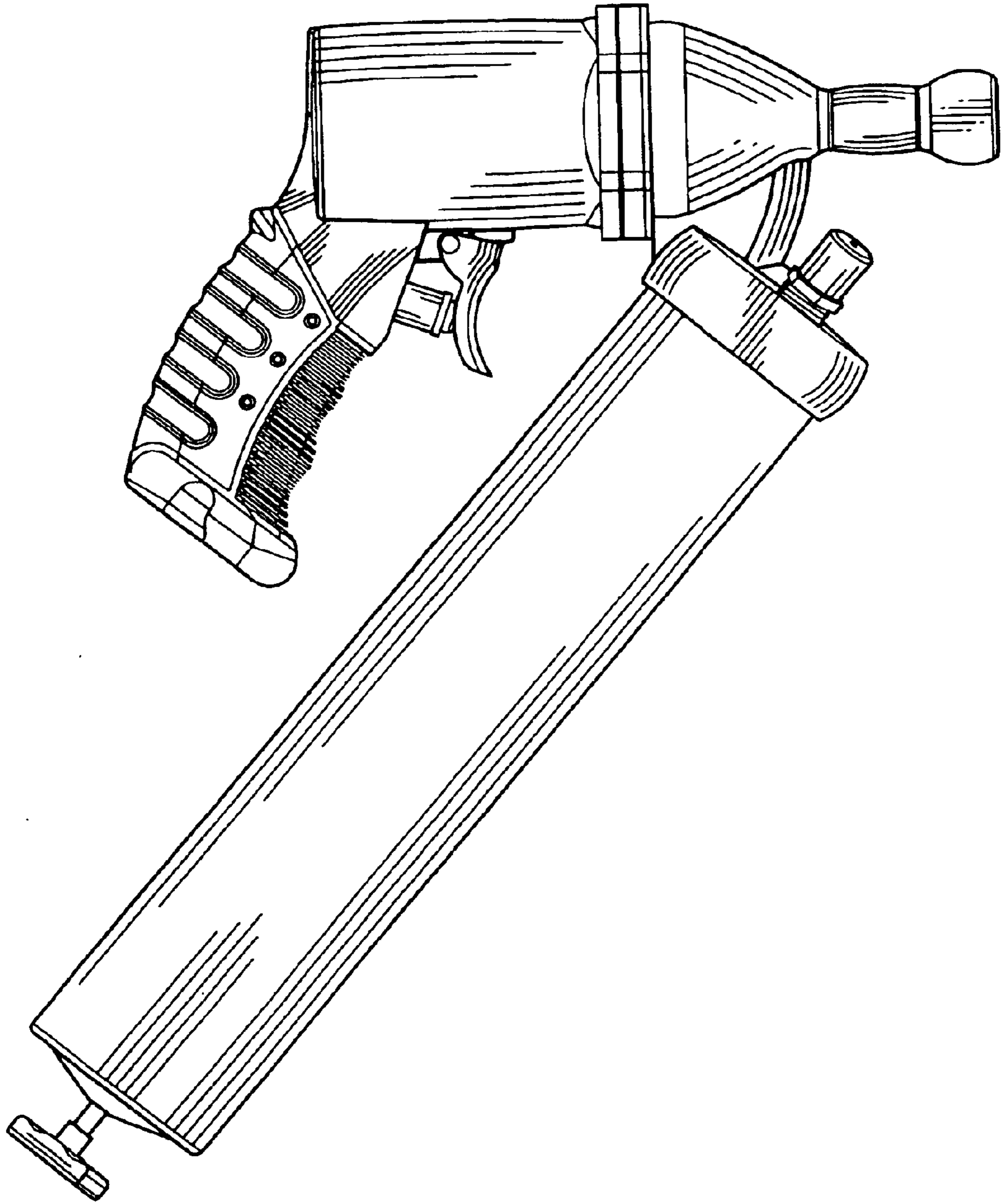


FIG. 5

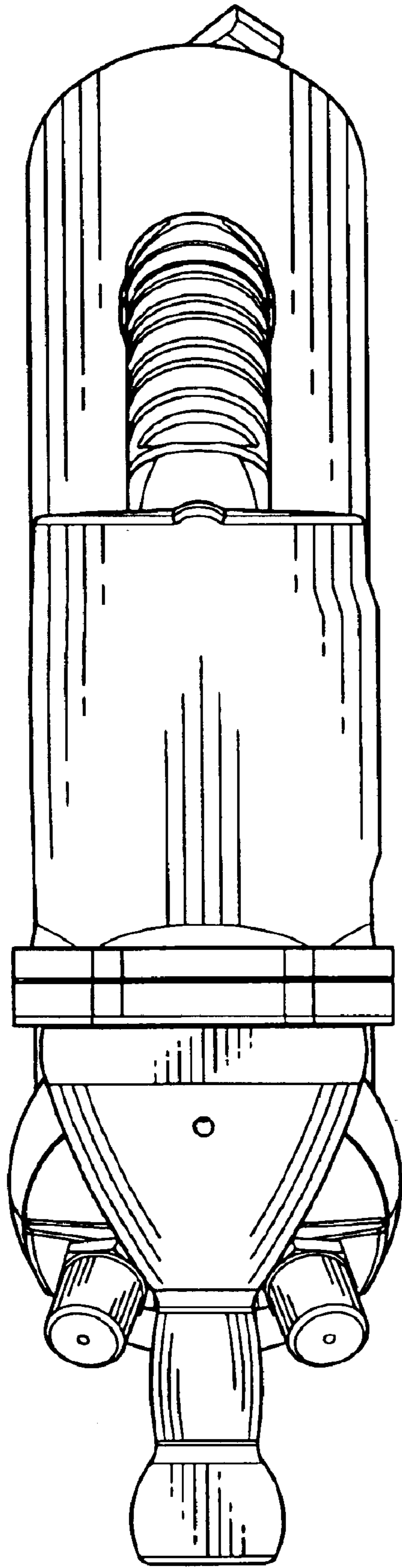


FIG. 6

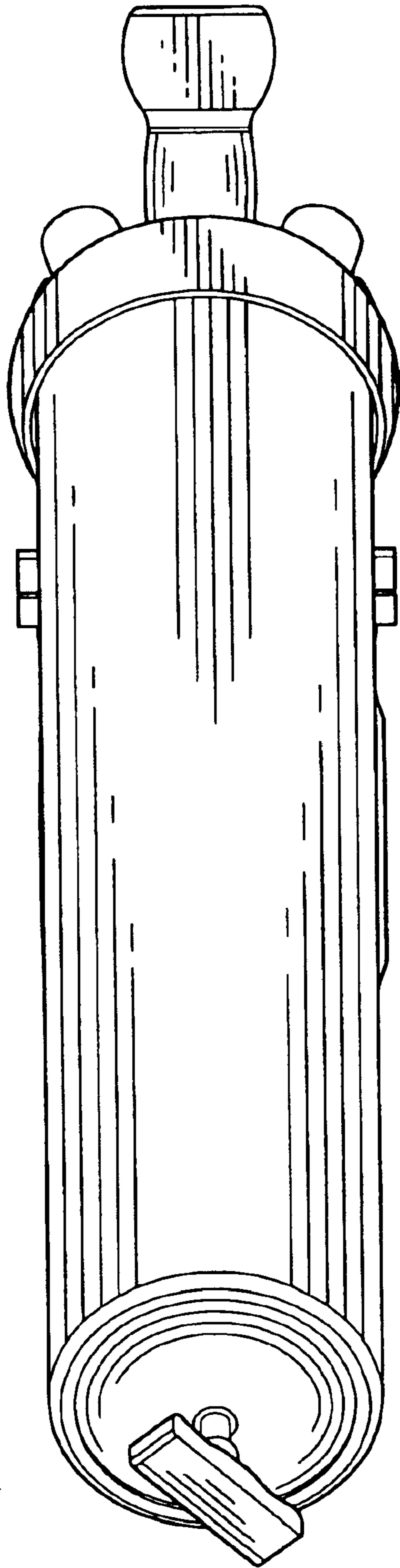


FIG. 7