



US00D490668S

(12) **United States Design Patent**  
**Bolin**

(10) **Patent No.:** **US D490,668 S**

(45) **Date of Patent:** **\*\* Jun. 1, 2004**

(54) **COLLAPSIBLE TWO PIECE CLUTCH TOOL**

\* cited by examiner

(76) Inventor: **Gary Loyd Bolin**, 8714 E. 43rd St.,  
Tulsa, OK (US) 74145

*Primary Examiner*—Holly Baynham

(\*\*) Term: **14 Years**

(57) **CLAIM**

The ornamental design for a collapsible two piece clutch tool, as shown and described.

(21) Appl. No.: **29/164,451**

(22) Filed: **Jul. 25, 2002**

**DESCRIPTION**

(51) **LOC (7) Cl.** ..... **08-05**

FIG. 1 is a front elevation view, showing the two parts separated, with the right side, left side, and rear views being identical mirror images.

(52) **U.S. Cl.** ..... **D8/14**

FIG. 2 is a plan view taken along line 2—2 of FIG. 1;

(58) **Field of Search** ..... D8/14, 51; 29/274;  
81/176.15

FIG. 3 is a plan view taken along line 3—3 of FIG. 1;

FIG. 4 is a bottom view thereof.

(56) **References Cited**

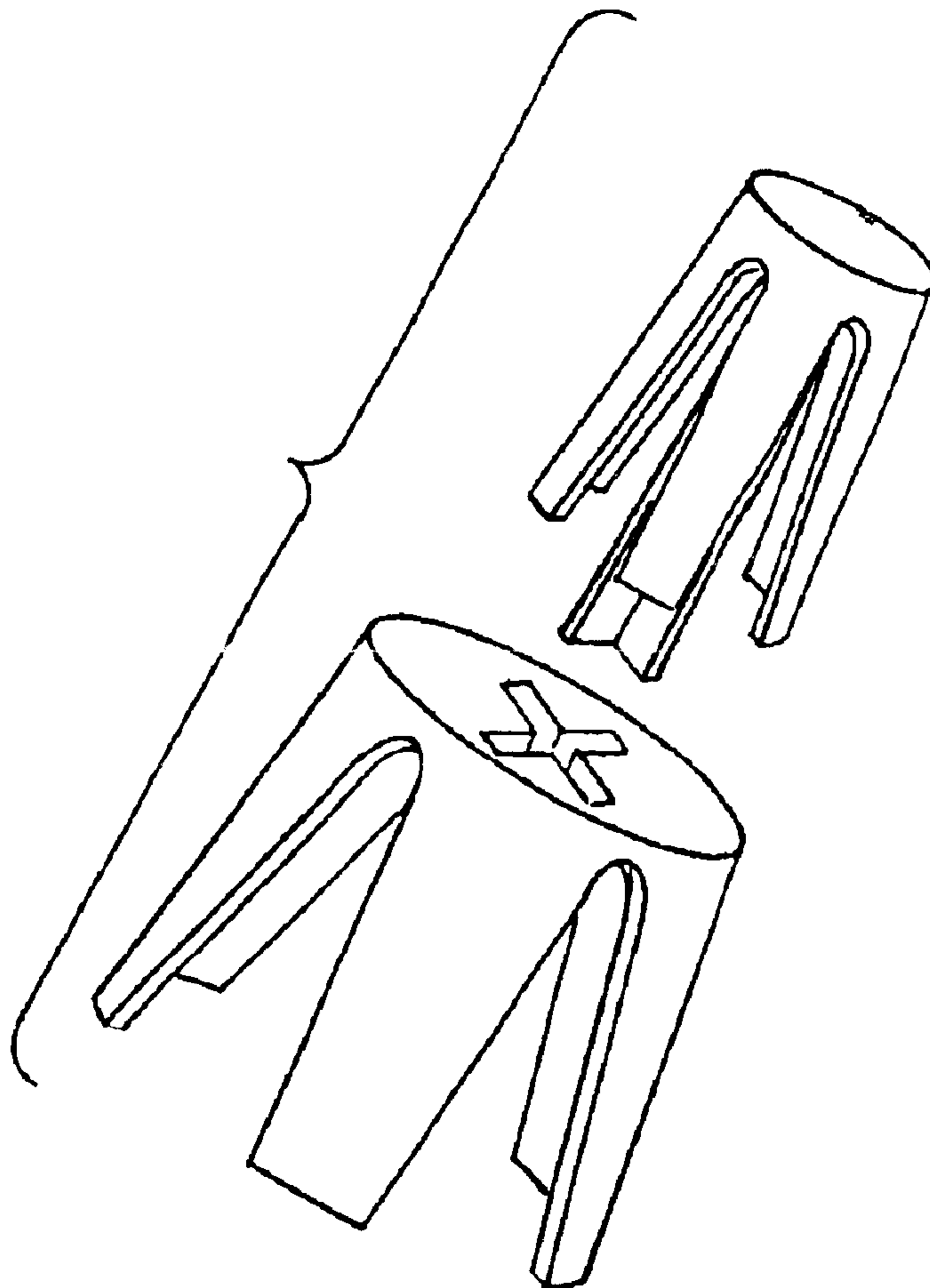
**U.S. PATENT DOCUMENTS**

2,046,774	A	*	7/1936	Oertel	.....	29/274
2,067,442	A	*	1/1937	Frisz	.....	29/274
2,909,090	A	*	10/1959	Moore	.....	81/176.15
D411,086	S		6/1999	Bolin		
D419,045	S	*	1/2000	Bolin	.....	D8/51

FIG. 5 is a front elevation view, showing the two parts attached, with the right side, left side, and rear views being identical mirror images; and,

FIG. 6 is an exploded perspective view thereof.

**1 Claim, 1 Drawing Sheet**



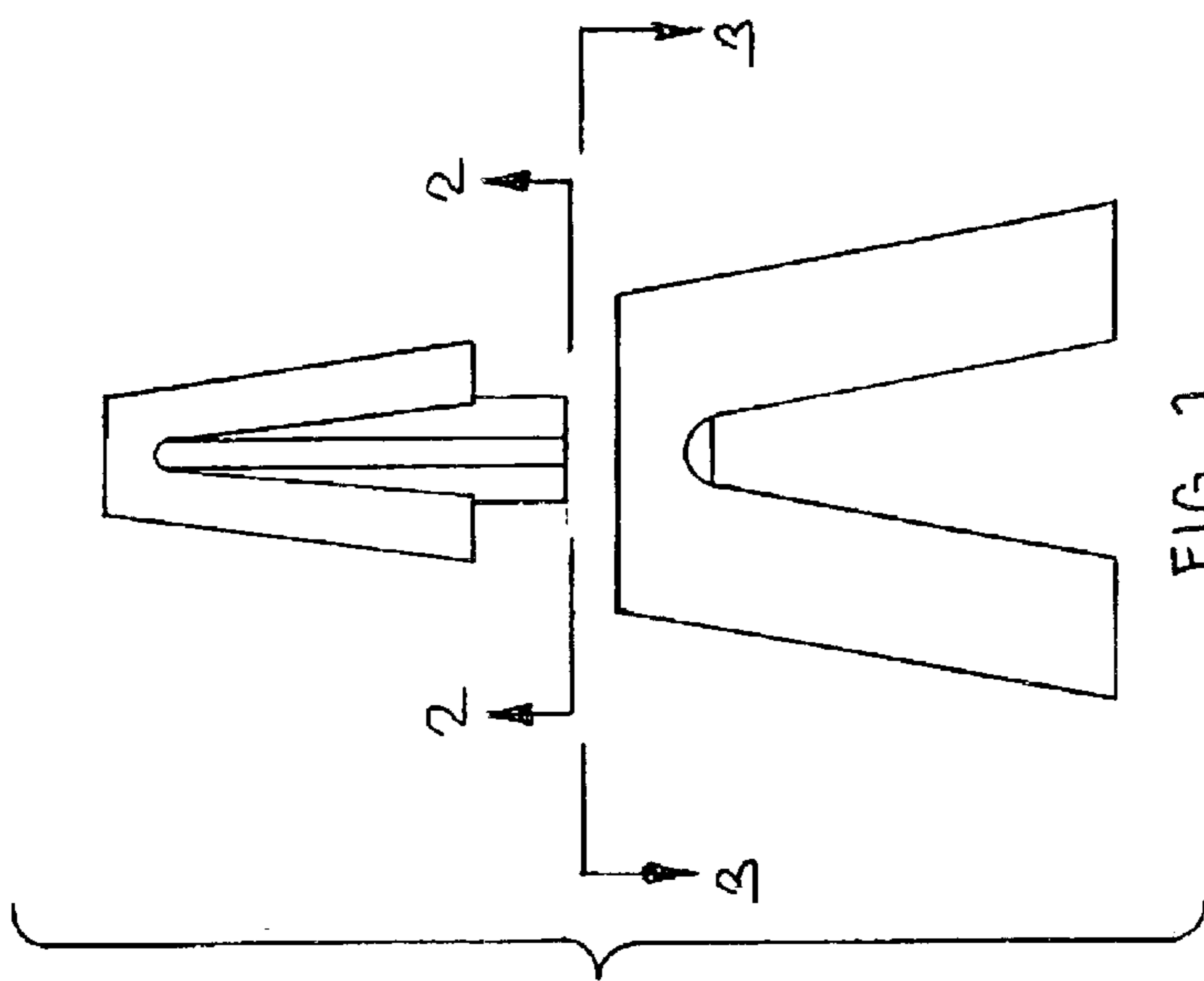


FIG. 1

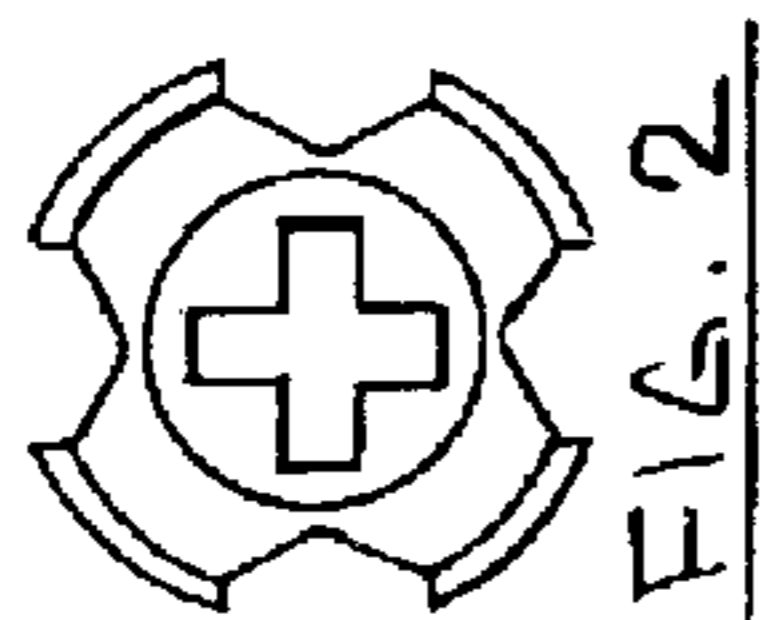


FIG. 2

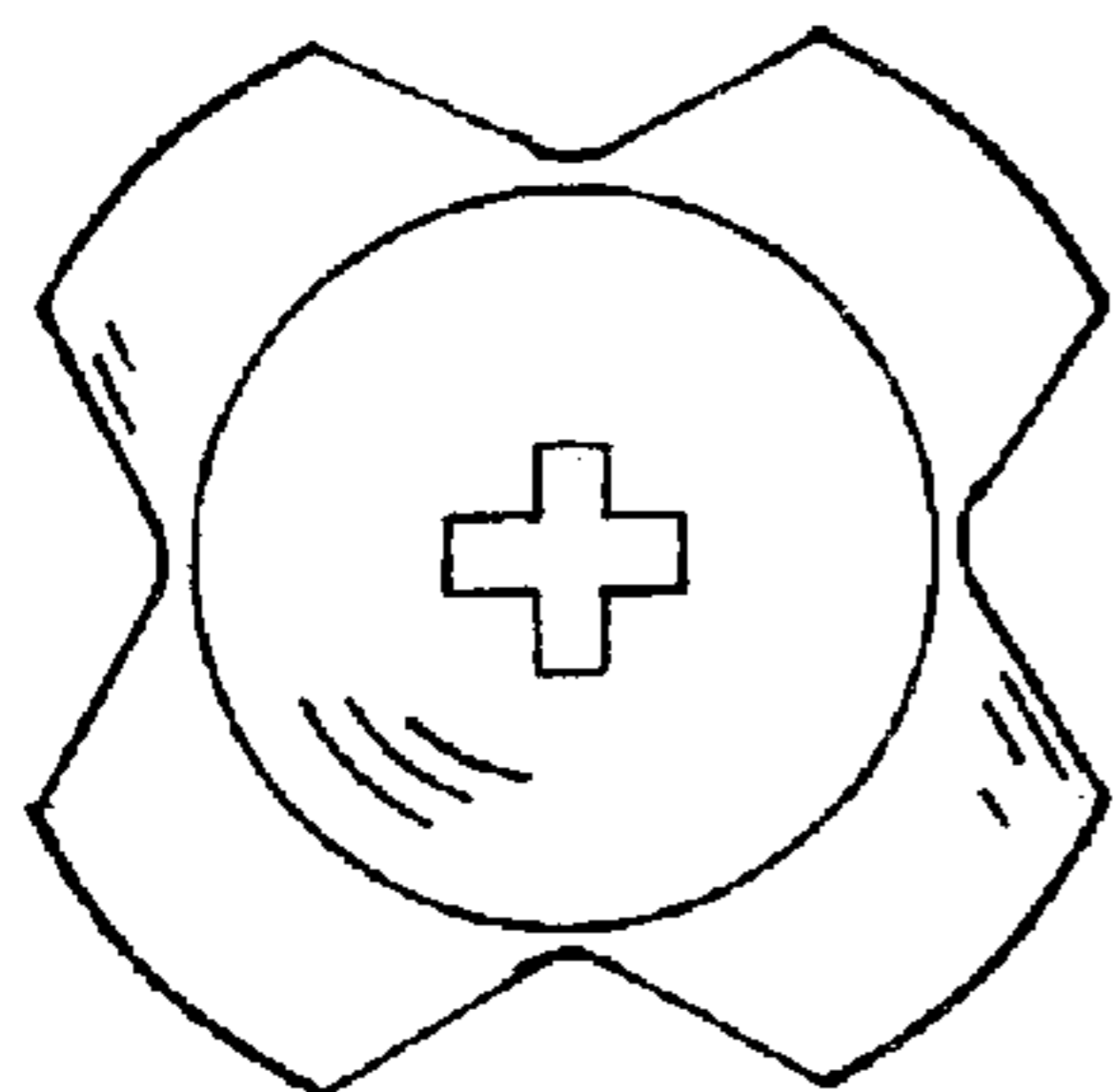


FIG. 3

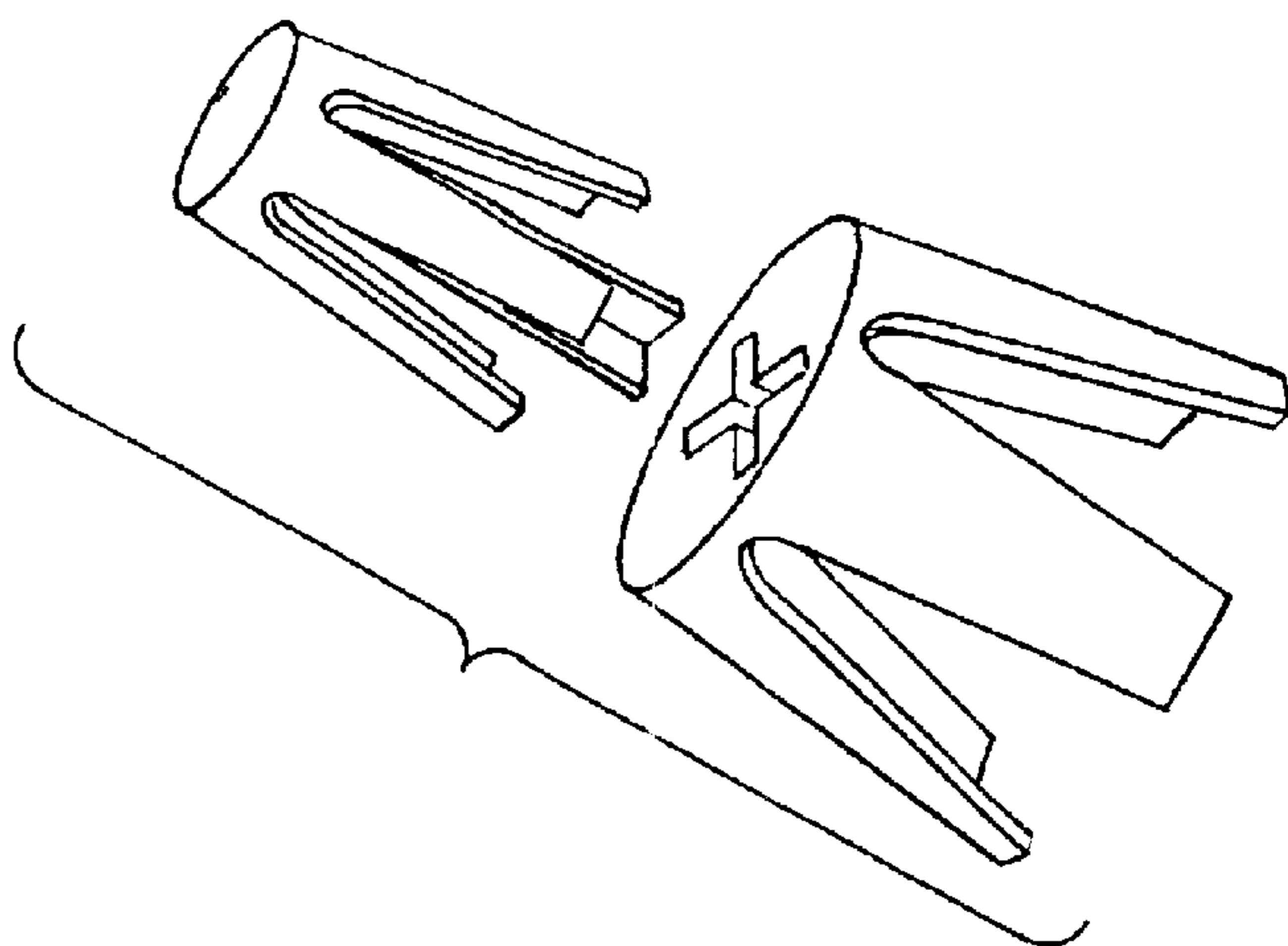


FIG. 4

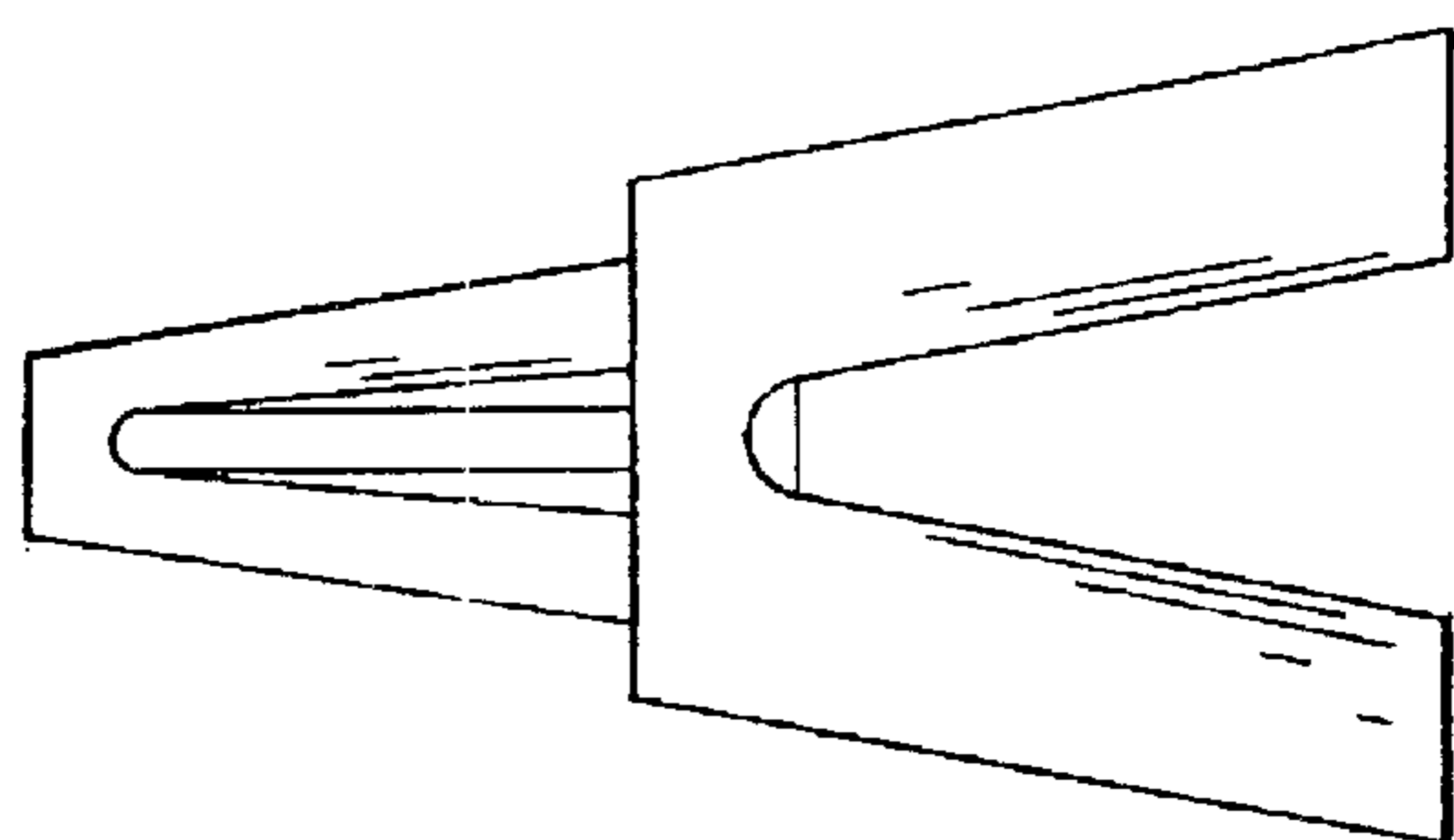


FIG. 5