



US00D490654S

(12) **United States Design Patent**
Allen et al.

(10) **Patent No.: US D490,654 S**

(45) **Date of Patent: ** Jun. 1, 2004**

(54) **CUP**

(75) **Inventors: Monty L. Allen, Dallas, GA (US);
Kenneth C. Kreaflle, Atlanta, GA (US);
Leon J. Scott, III, Atlanta, GA (US)**

(73) **Assignee: In Zone, Inc., Austell, GA (US)**

(**) **Term: 14 Years**

(21) **Appl. No.: 29/171,022**

(22) **Filed: Nov. 14, 2002**

(51) **LOC (7) Cl. 07-01**

(52) **U.S. Cl. D7/515; D7/523; D7/532;
D7/313**

(58) **Field of Search D7/536, 533, 523,
D7/509, 313, 301, 515; 222/146.6, 144.5,
469; D9/325; D20/205; D34/39; 220/592.19;
217/75**

(56) **References Cited**

U.S. PATENT DOCUMENTS

- D7,342 S * 3/1874 Bakewell, Jr. D7/515
- D54,363 S * 2/1920 Richardson et al. D7/301
- D167,578 S * 8/1952 Lipson D34/39
- D248,658 S * 7/1978 Buffington D7/301
- D309,847 S * 8/1990 Scheurer D7/606
- D310,781 S 9/1990 Scott, III D9/398

- D335,744 S * 5/1993 Small et al. D34/39
- D344,204 S * 2/1994 Dixon D7/301
- D377,738 S * 2/1997 Thorne D7/536
- D445,001 S * 7/2001 Lin D7/510
- D454,467 S * 3/2002 Magermans et al. D7/313
- D459,139 S * 6/2002 Vlooswijk et al. D7/313

* cited by examiner

Primary Examiner—M. N. Pandozzi

(74) *Attorney, Agent, or Firm*—Wong, Cabello, Lutsch,
Rutherford & Bruccoleri, L.L.P.

(57) **CLAIM**

The ornamental design for a cup, as shown and described.

DESCRIPTION

FIG. 1 is a perspective view of a cup showing a new design.
FIG. 2 is a right side elevation view thereof.
FIG. 3 is a left side elevation view thereof.
FIG. 4 is a top plan view thereof.
FIG. 5 is a back elevation view thereof.
FIG. 6 is a front elevation view thereof; and,
FIG. 7 is a bottom plan view thereof.

The broken line environmental showing is for illustrative purposes only and forms no part of the claimed design. The broken lines immediately adjacent to the shaded areas represent unclaimed boundaries of the design.

1 Claim, 2 Drawing Sheets

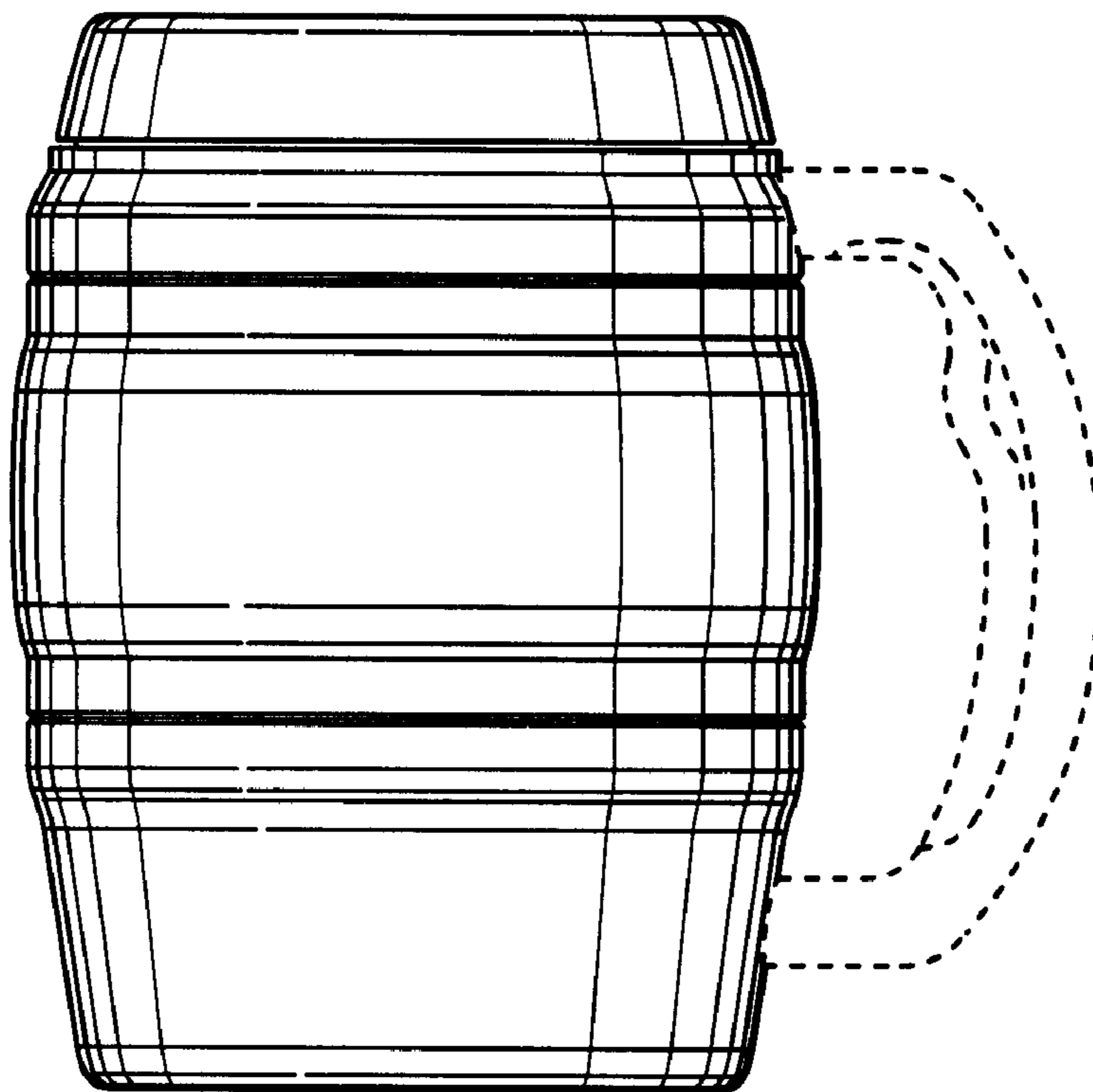


FIG. 1

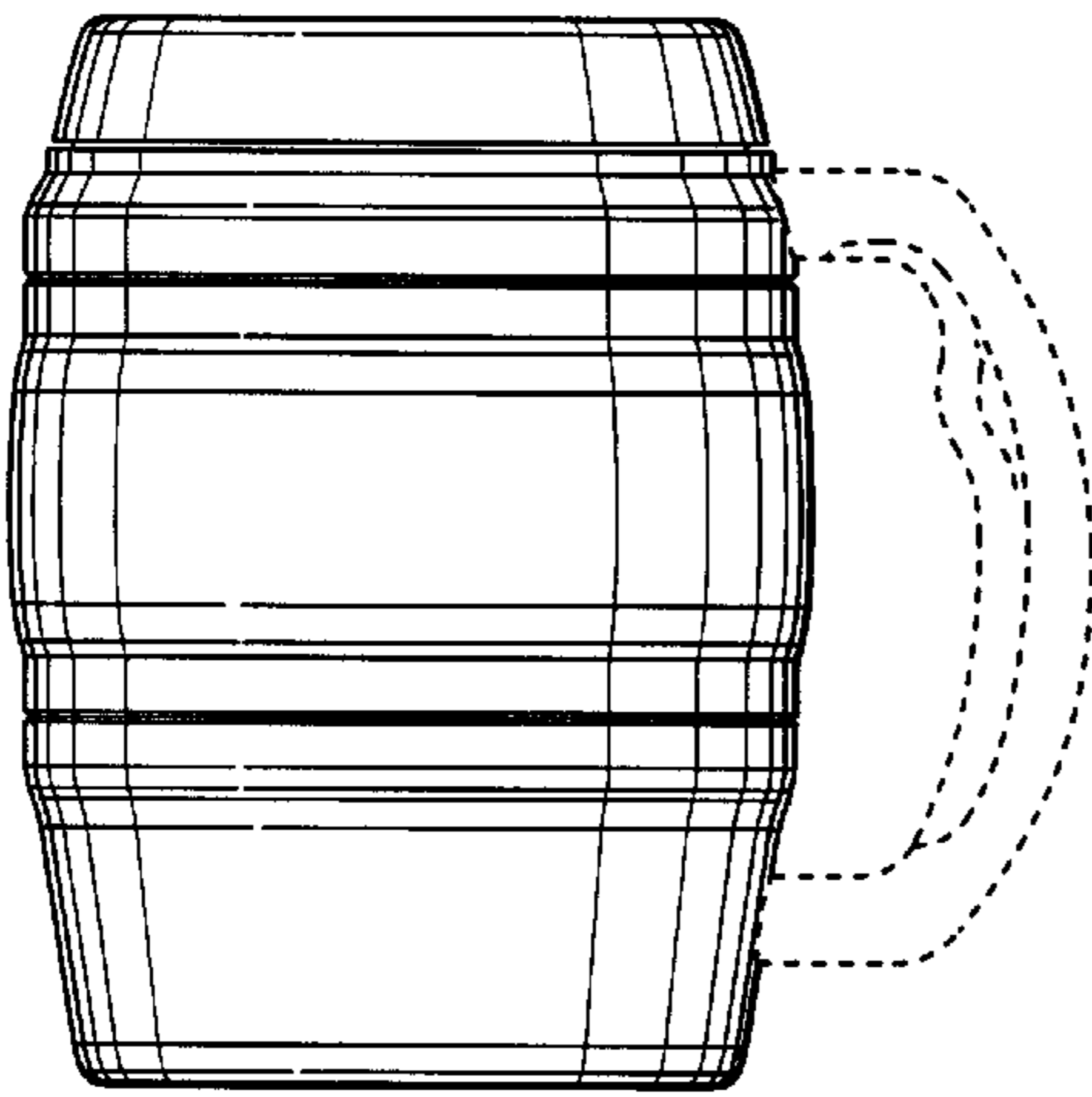
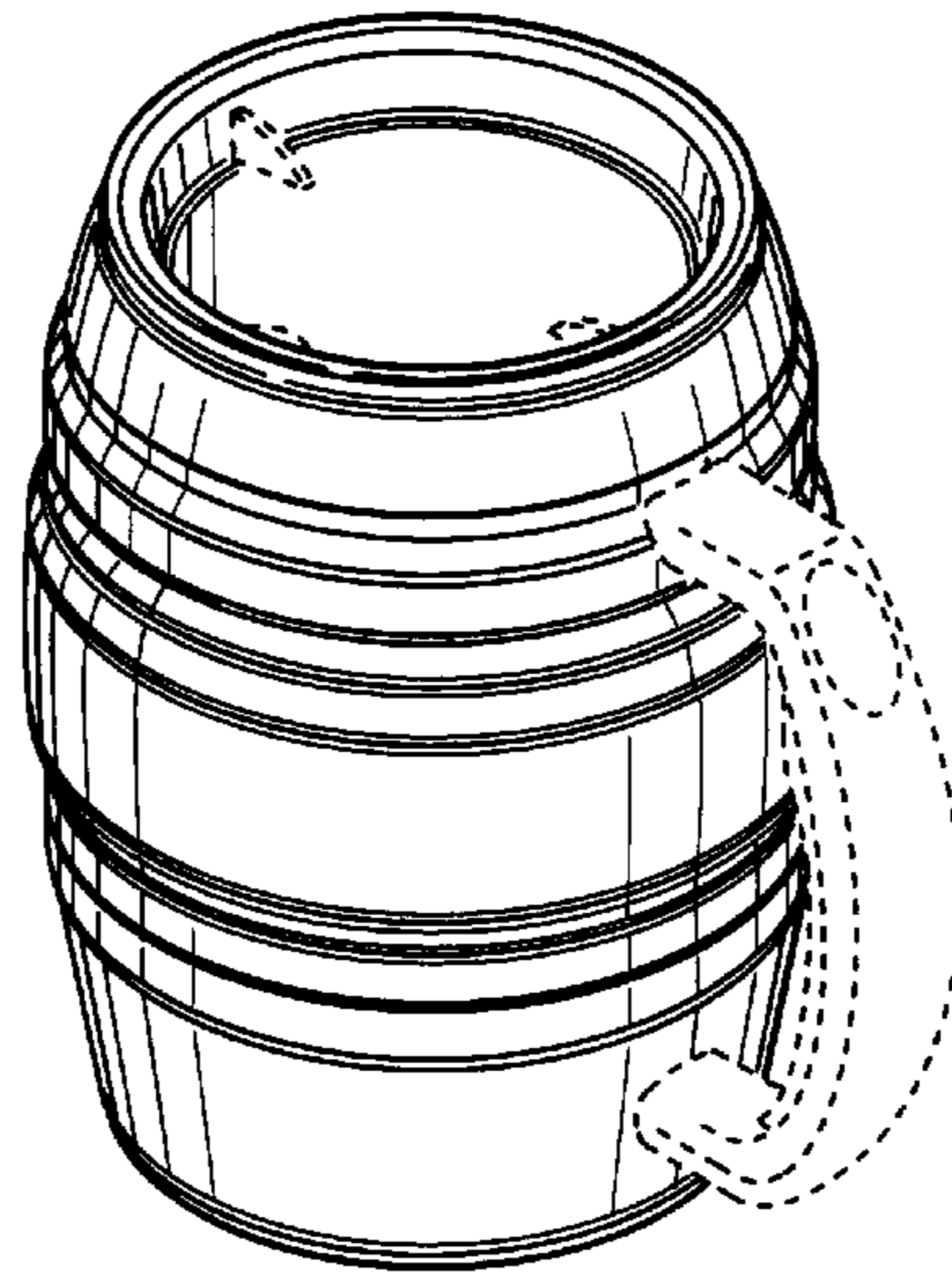


FIG. 2

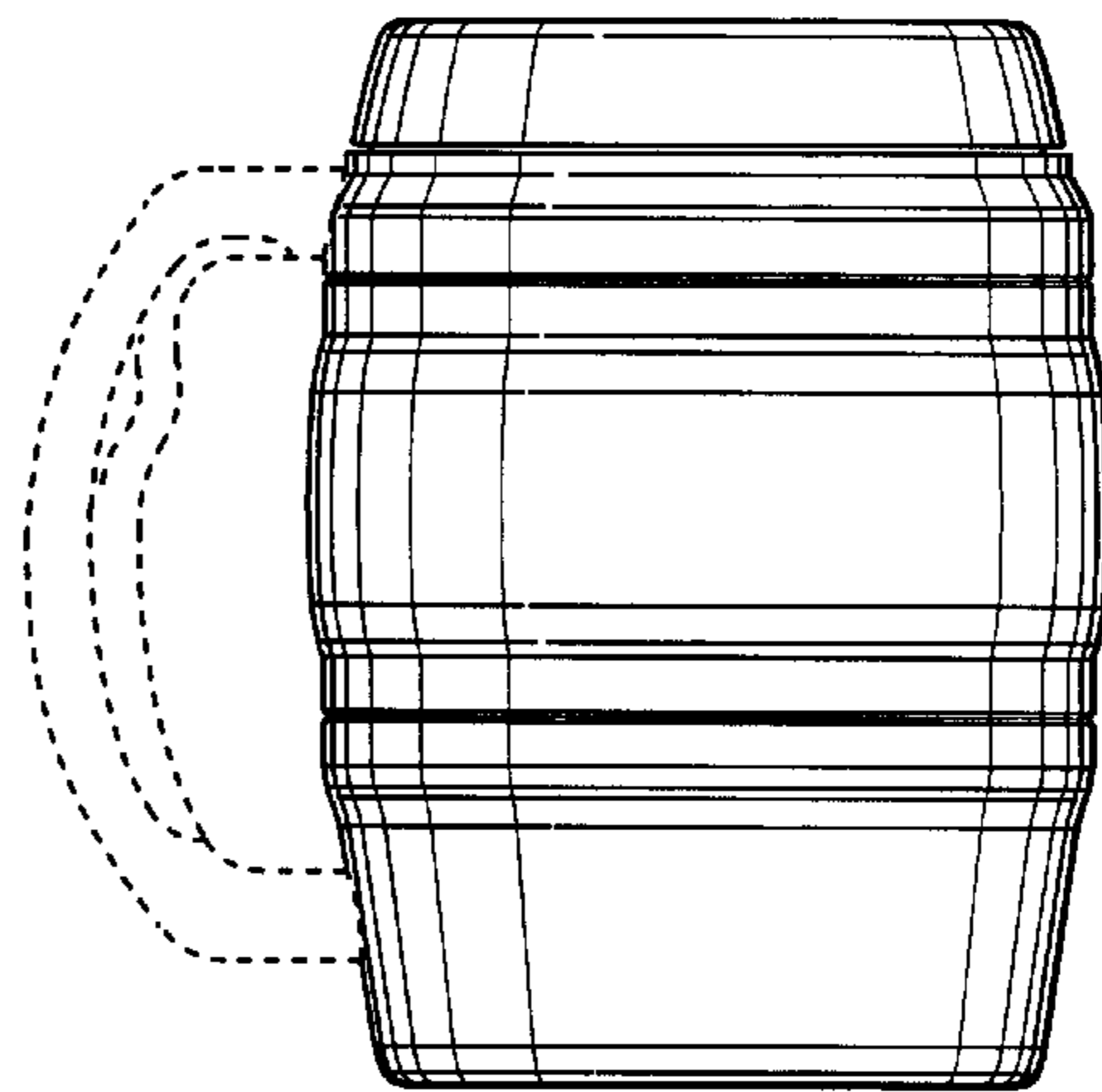


FIG. 3

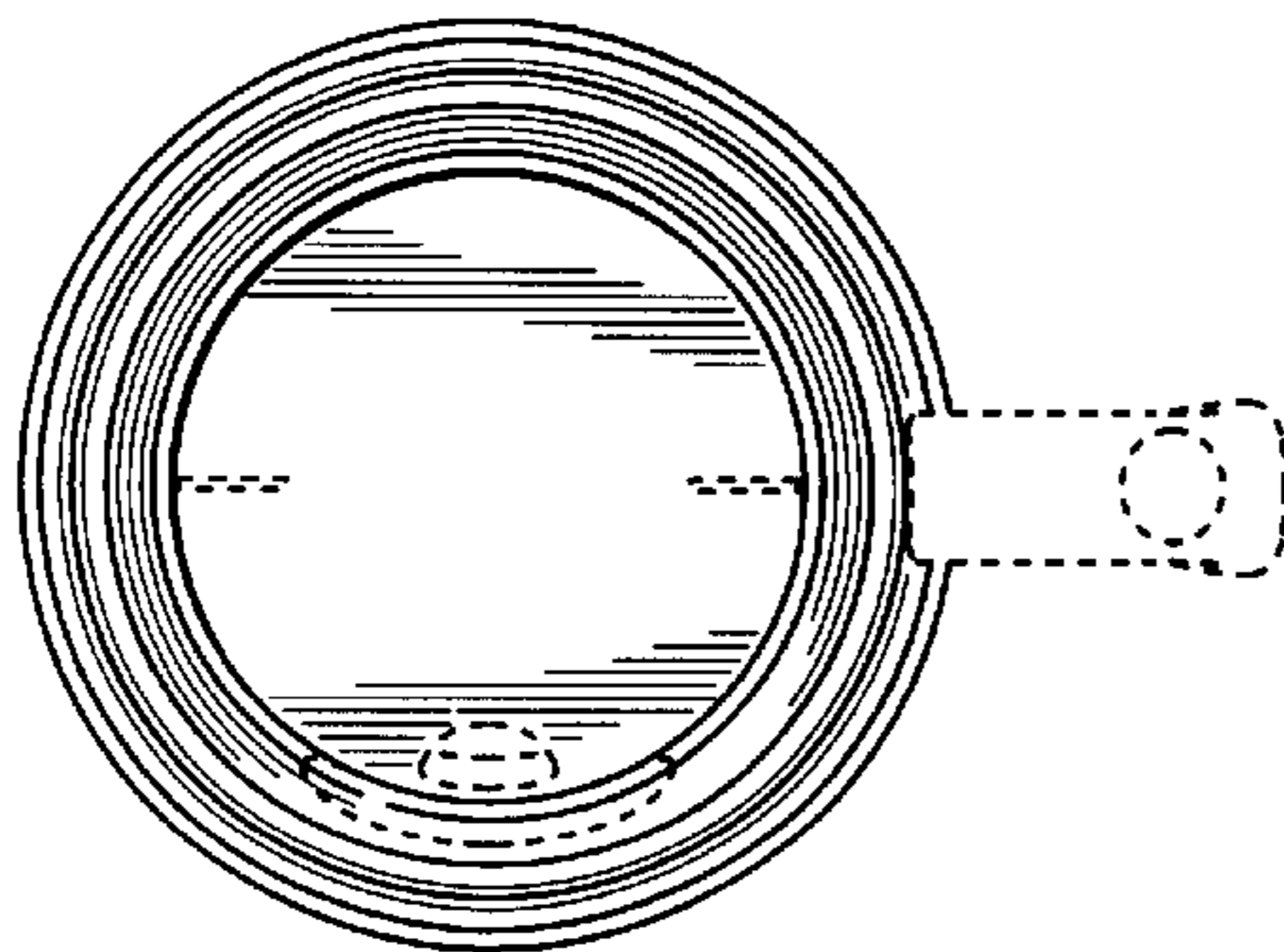


FIG. 4

FIG. 5

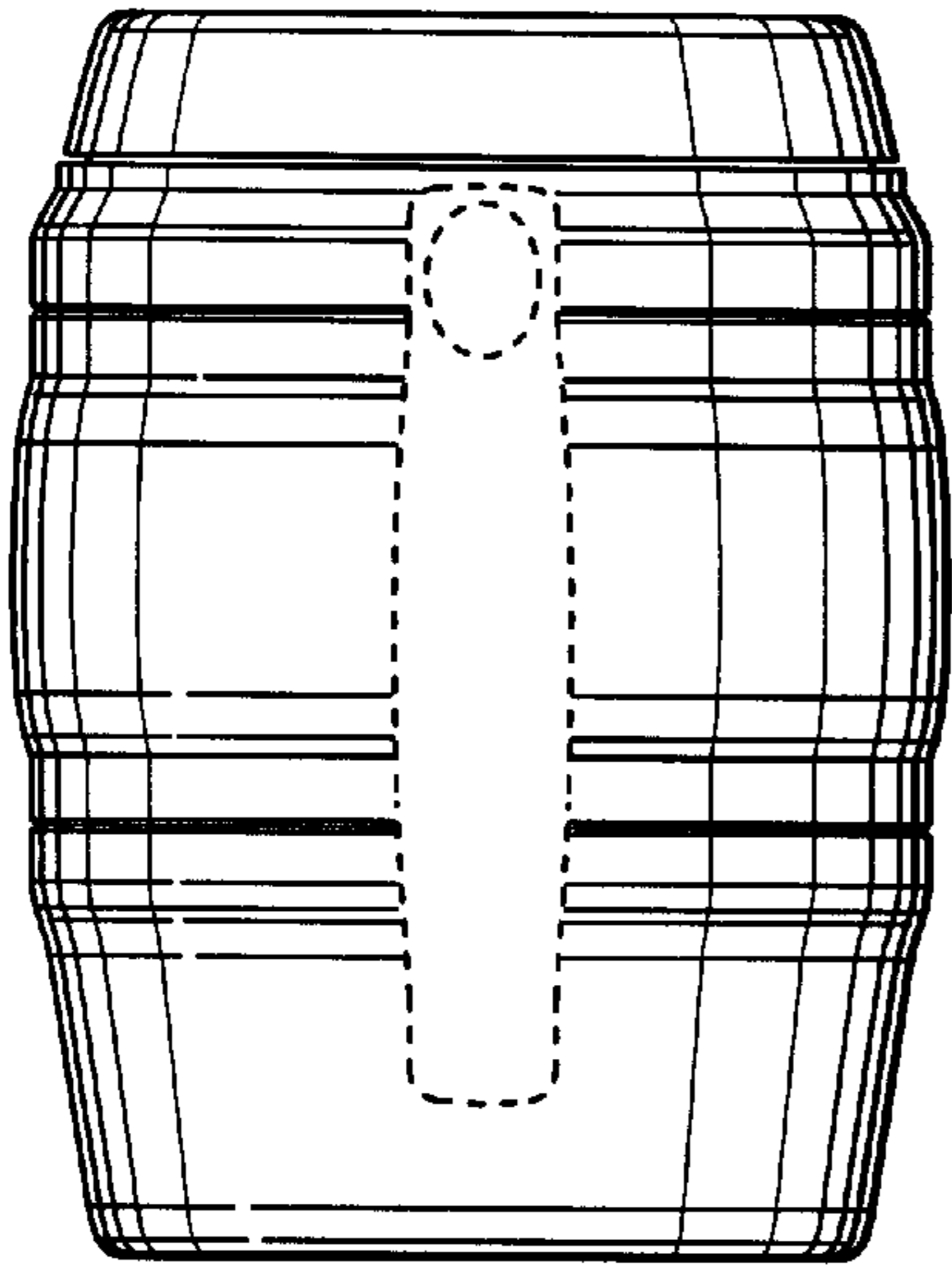


FIG. 6

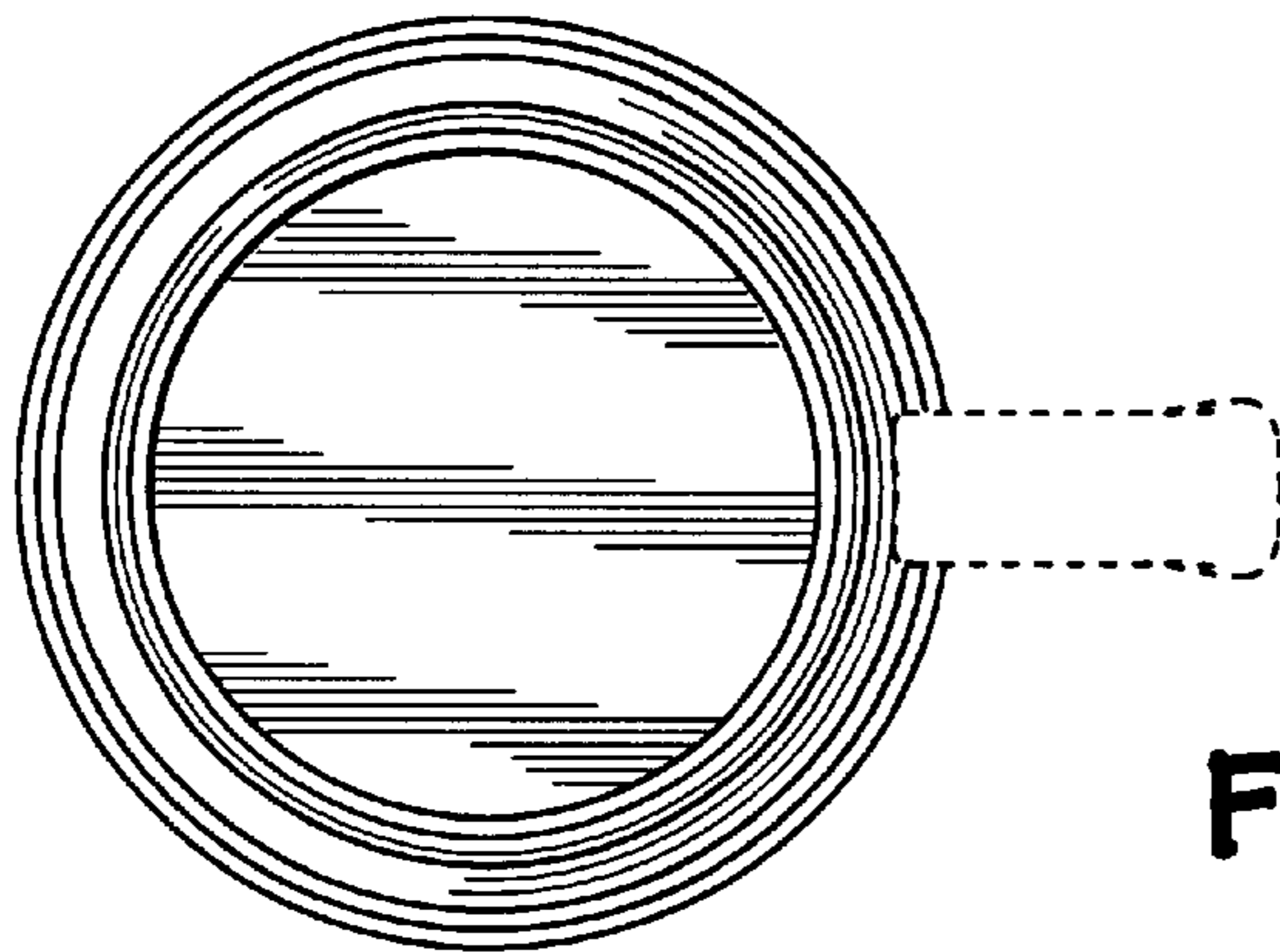
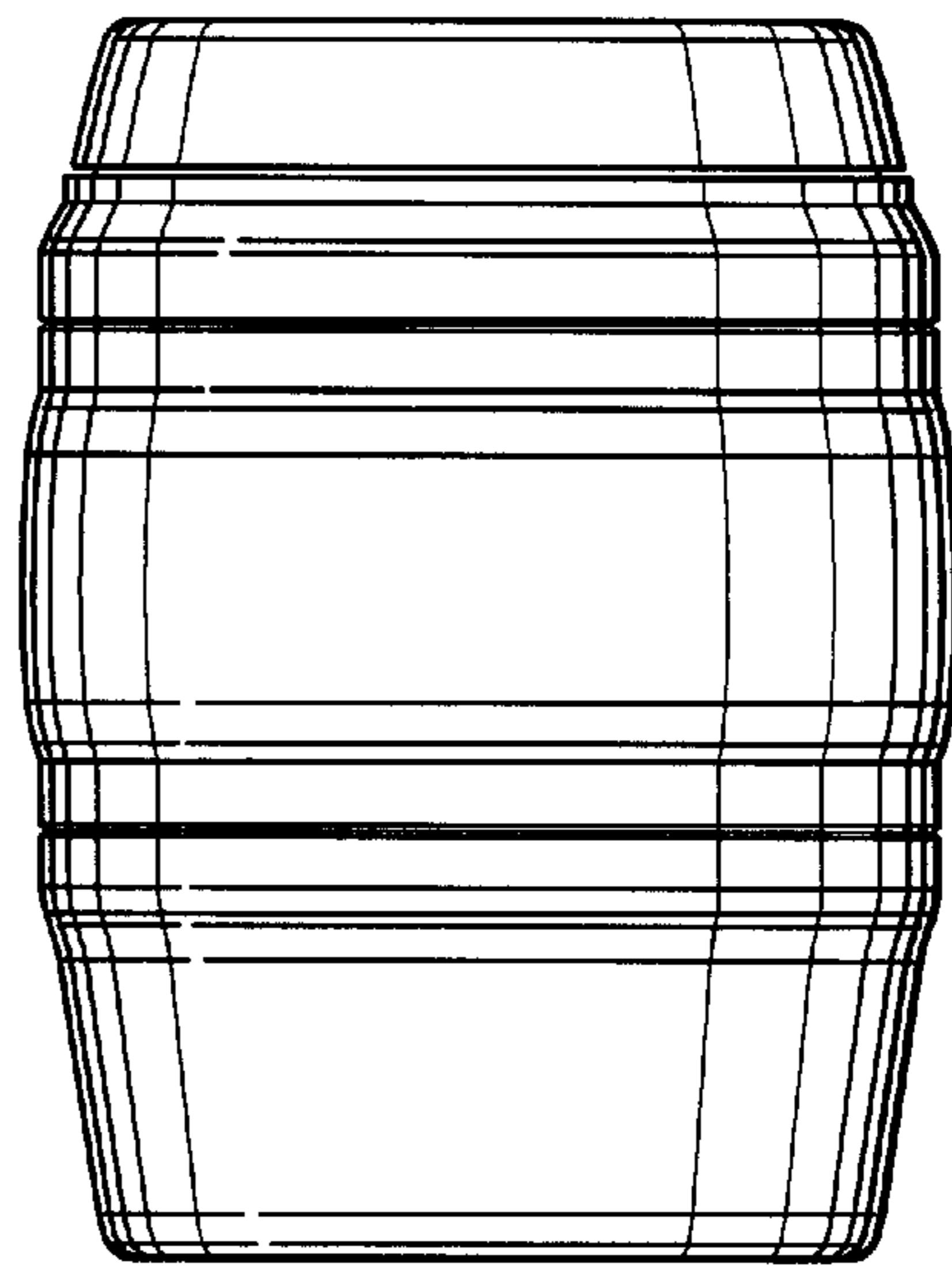


FIG. 7